



US00D944081S

(12) **United States Design Patent**  
**Sobolev**

(10) **Patent No.:** **US D944,081 S**

(45) **Date of Patent:** **\*\* Feb. 22, 2022**

(54) **SAMPLE BOX**

*Primary Examiner* — Leanne Was-Englehart

(71) Applicant: **Guardian Glass, LLC**, Auburn Hills, MI (US)

(57) **CLAIM**

The ornamental design for a sample box, as shown and described.

(72) Inventor: **Alexander Sobolev**, Auburn Hills, MI (US)

(73) Assignee: **Guardian Glass, LLC**, Auburn Hills, MI (US)

**DESCRIPTION**

(\*\*) Term: **15 Years**

FIG. 1 is a front perspective view of a sample box in a closed configuration in accordance with my new design;  
FIG. 2 is a front elevation view thereof;  
FIG. 3 is a rear elevation view thereof;  
FIG. 4 is a top plan view thereof;  
FIG. 5 is a bottom plan view thereof;  
FIG. 6 is a right side view thereof, the left side view being a mirror image thereof;  
FIG. 7 is a rear perspective view thereof;  
FIG. 8 is a front perspective view thereof, in an open position of use, showing exemplary articles inserted into the sample box;  
FIG. 9 is a front perspective view thereof, without articles inserted into the sample box;  
FIG. 10 is a front elevation view thereof;  
FIG. 11 is a rear elevation view thereof;  
FIG. 12 is a top plan view thereof;  
FIG. 13 is a bottom plan view thereof;  
FIG. 14 is a right side view thereof, the left side view being a mirror image thereof;  
FIG. 15 is a rear perspective view thereof;  
FIG. 16 is a front perspective view thereof, in another open position of use, showing exemplary articles inserted into the sample box;  
FIG. 17 is a front perspective view thereof, without articles inserted into the sample box;  
FIG. 18 is a front elevation view thereof;  
FIG. 19 is a rear elevation view thereof;  
FIG. 20 is a top plan view thereof;  
FIG. 21 is a bottom plan view thereof;  
FIG. 22 is a right side view thereof, the left side view being a mirror image thereof; and,  
FIG. 23 is a rear perspective view thereof.

(21) Appl. No.: **29/706,216**

(22) Filed: **Sep. 18, 2019**

(51) **LOC (13) Cl.** ..... **09-03**

(52) **U.S. Cl.**  
USPC ..... **D9/432**

(58) **Field of Classification Search**  
USPC ..... D3/284, 299, 307, 319, 272, 273;  
D9/420, 423, 430, 432, 433, 721  
(Continued)

(56) **References Cited**

**U.S. PATENT DOCUMENTS**

193,340 A \* 7/1877 Lothrop ..... F25D 23/025  
312/291  
2,233,799 A \* 3/1941 Seifer ..... B65D 5/46024  
229/117.22

(Continued)

**FOREIGN PATENT DOCUMENTS**

CN 208570000 U 3/2019  
DE 2745855 A1 4/1979

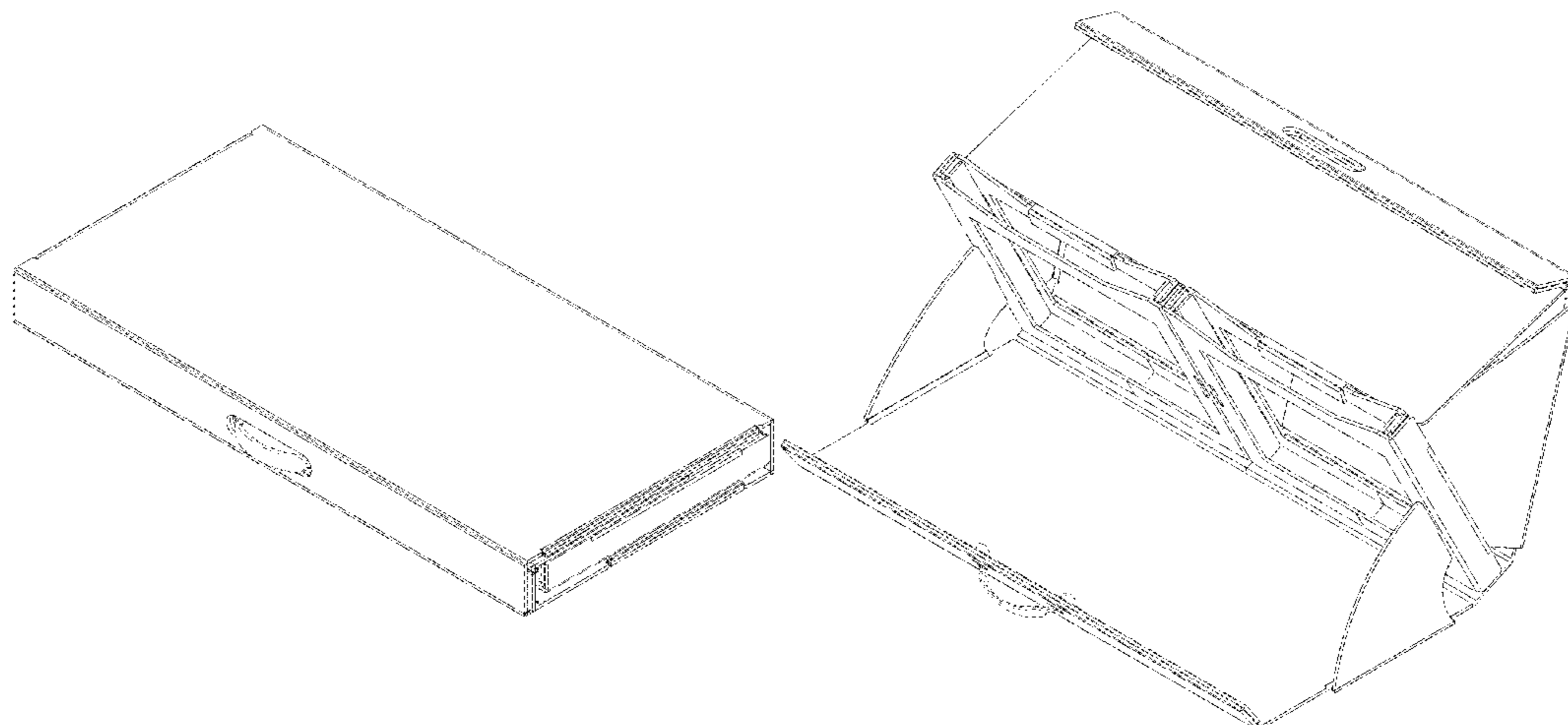
(Continued)

**OTHER PUBLICATIONS**

International Search Report and written opinion for International Application No. PCT/IB2020/052475, dated May 27, 2020, pp. 15.

(Continued)

(Continued)



The broken lines illustrate environmental subject matter or parts of the article. None of the broken lines form part of the claim designed.

**1 Claim, 23 Drawing Sheets**

(58) **Field of Classification Search**

CPC ..... G09F 5/02; G01N 21/29; A47F 7/0042;  
B65D 5/46024; B65D 75/56; A45D 40/22  
See application file for complete search history.

(56) **References Cited**

U.S. PATENT DOCUMENTS

2,646,143	A	7/1953	Daleo et al.	
2,795,367	A *	6/1957	Feldman	B65D 5/46192
				229/117.12
2,981,458	A *	4/1961	Thibault	B65D 5/46024
				229/117.24
4,651,872	A	3/1987	Joyce	
D415,419	S *	10/1999	Abiteboul	D9/423
6,186,327	B1	2/2001	Hadden	
D644,096	S *	8/2011	Yadegaran	D9/418
D690,592	S *	10/2013	Ding	D9/432
D692,754	S *	11/2013	Akana	D9/431
9,265,361	B1 *	2/2016	Streich	B65D 75/56
D772,559	S *	11/2016	Binder	A45D 40/22
				D3/203.6
D811,005	S *	2/2018	Fath	B65D 75/56
				D27/189
D814,925	S *	4/2018	Davidson	A61B 17/06114
				D9/430
D823,391	S *	7/2018	Nichols	D19/86
D825,328	S *	8/2018	Simpson	D9/432
D831,480	S *	10/2018	Arazi	B65D 21/0205
				D9/433
D833,734	S *	11/2018	Binder	B42D 15/00
				D3/203.6
D843,724	S *	3/2019	Drendel	D3/297
D868,580	S *	12/2019	Martin	D9/432
D876,219	S *	2/2020	Martin	D9/432
D904,759	S *	12/2020	Girard-Tremblay	D3/273
D908,794	S *	1/2021	Houle	D19/86
10,882,661	B1 *	1/2021	Seidler	B65D 21/0205
2004/0245134	A1 *	12/2004	Alcouloumre	A61B 17/06114
				206/364
2009/0085343	A1 *	4/2009	Burch, V	B42D 15/00
				283/67
2017/0143099	A1 *	5/2017	Carraro	A45D 40/22

2018/0008063	A1 *	1/2018	Roan	A47F 7/0042
2018/0189904	A1 *	7/2018	Palmer	A47G 1/0638
2018/0312320	A1 *	11/2018	Awity	B65D 81/18
2019/0276182	A1 *	9/2019	Zhou	B65D 11/1893
2019/0322421	A1 *	10/2019	Nunez	A47F 7/03

FOREIGN PATENT DOCUMENTS

EM	006889648-0001	9/2019
EM	006889648-0002	9/2019
EM	006889648-0003	9/2019
EM	006889648-0004	9/2019
EM	006889648-0005	9/2019
EM	006889648-0006	9/2019
EM	006889648-0007	9/2019
EM	006889648-0008	9/2019
EM	006889648-0009	9/2019
EM	006889648-0010	9/2019
EM	006889648-0011	9/2019
EM	006889648-0012	9/2019
EM	006889648-0013	9/2019
EM	006889648-0014	9/2019
FR	2450584	A1 10/1980
KR	3020200001541	* 10/2020
KR	3020200001542	* 10/2020
KR	3020200001543	* 10/2020

OTHER PUBLICATIONS

“Vitro Architectural Glass introduces ACUITY Glass sample kit”, accessed at <https://www.glassonweb.com/news/vitro-architectural-glass-introduces-acuity-glass-sample-kit>, Oct. 2, 2018, 15 pages.

Lin, D., “Architecture glass packaging for Guardian Glass on Packaging of the World—Creative Package Design Gallery”, accessed at <https://www.packagingoftheworld.com/2018/11/architecture-glass-packaging-for.html>, Nov. 16, 2018, 10 pages.

Jan. 28, 2020 Office Action in Brazil Patent Application No. 302019004427-7.

Jan. 28, 2020 Office Action in Brazil Patent Application No. 302019004428-5.

Jan. 28, 2020 Office Action in Brazil Patent Application No. 302019004433-1.

Unpublished Brazilian Application No. BR302019004427-7 filed Sep. 19, 2019.

Unpublished Brazilian Application No. BR302019004428-5 filed Sep. 19, 2019.

Unpublished Brazilian Application No. BR302019004433-1 filed Sep. 19, 2019.

Unpublished U.S. Appl. No. 16/822,374, filed Mar. 18, 2020.

\* cited by examiner

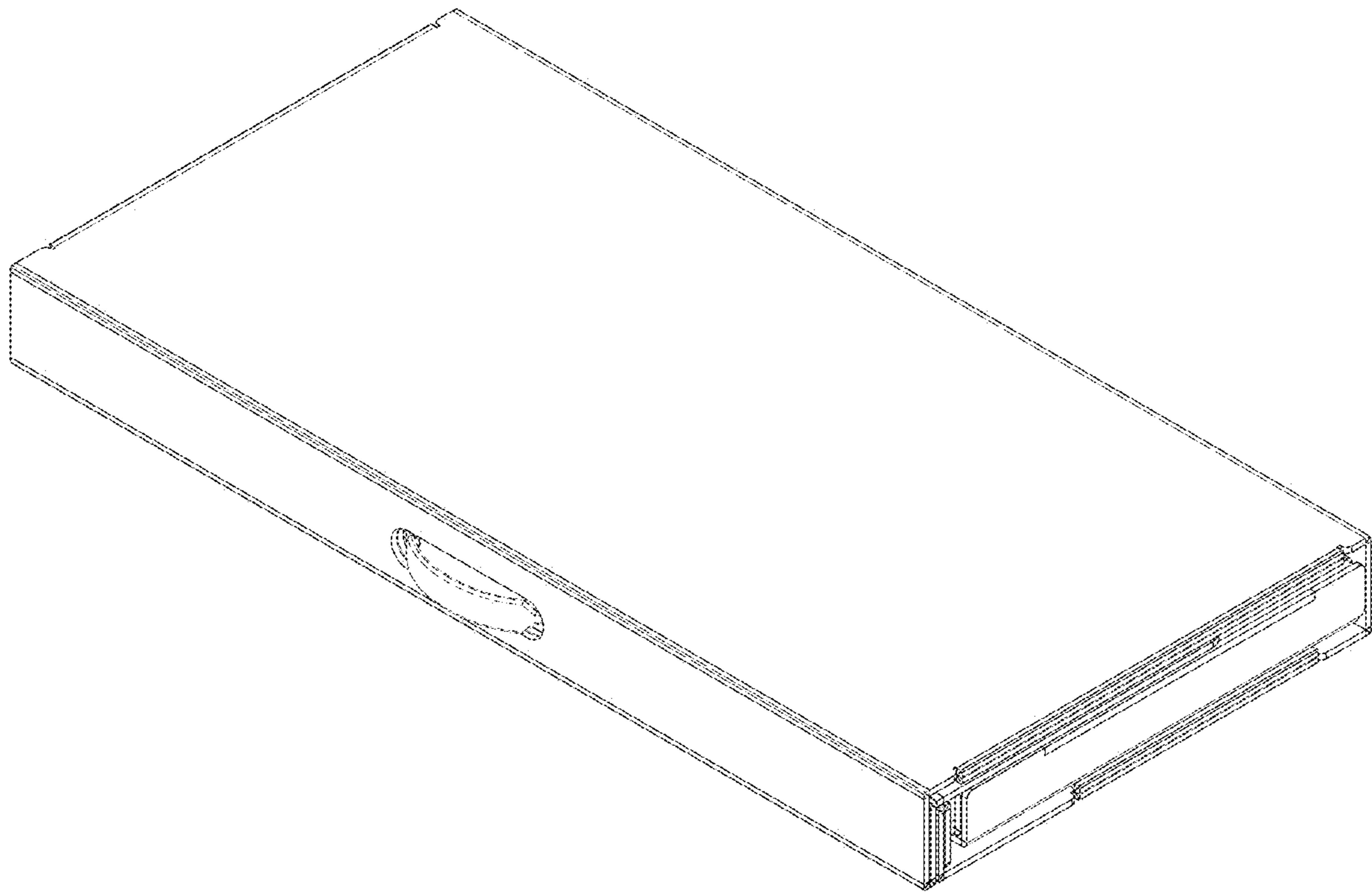
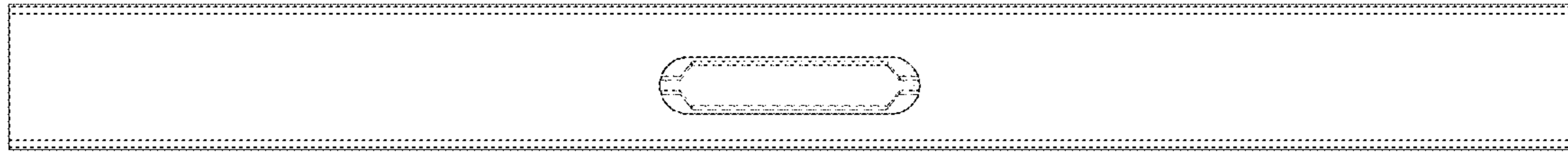


FIG. 1





**FIG. 2**



**FIG. 3**

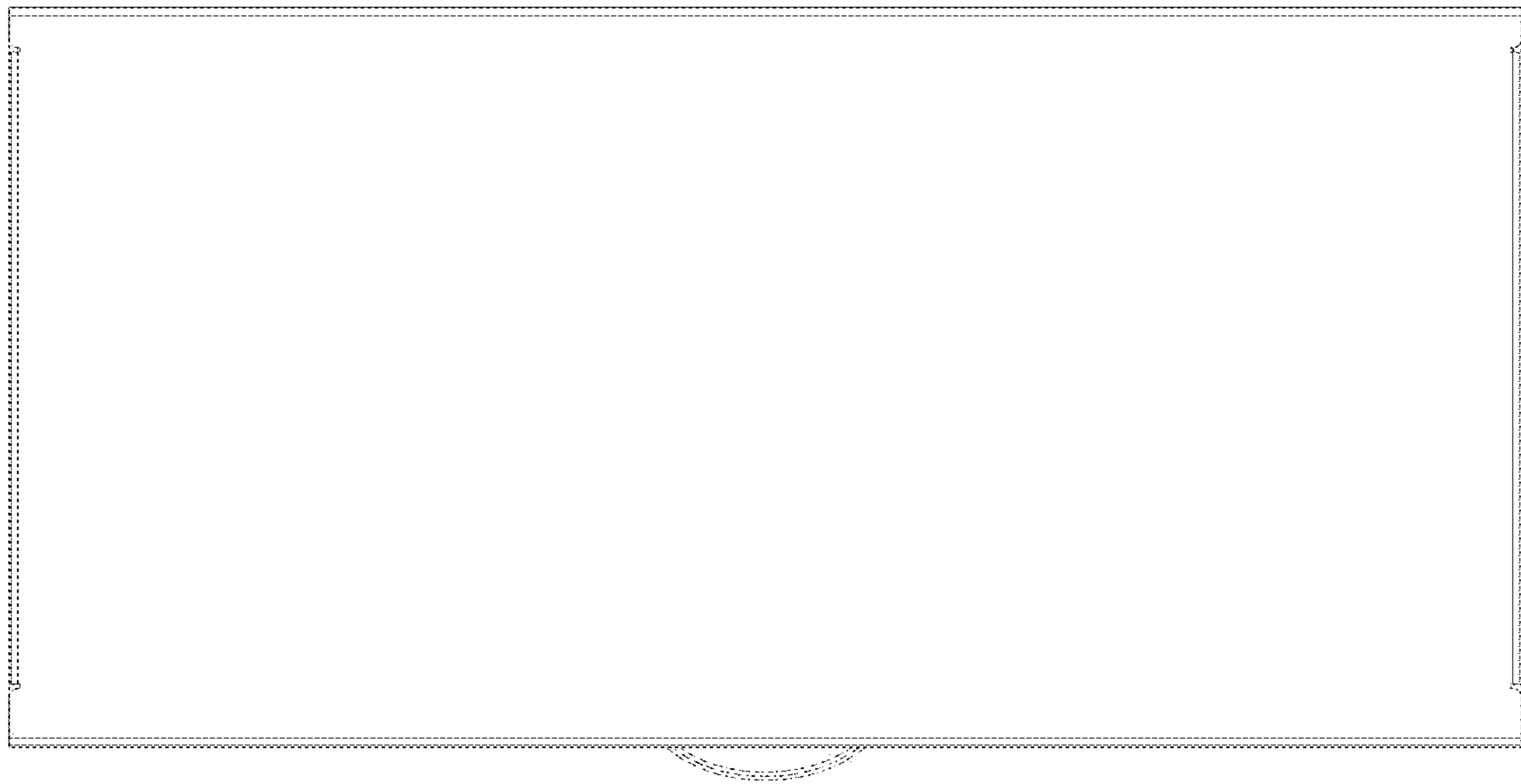


FIG. 4

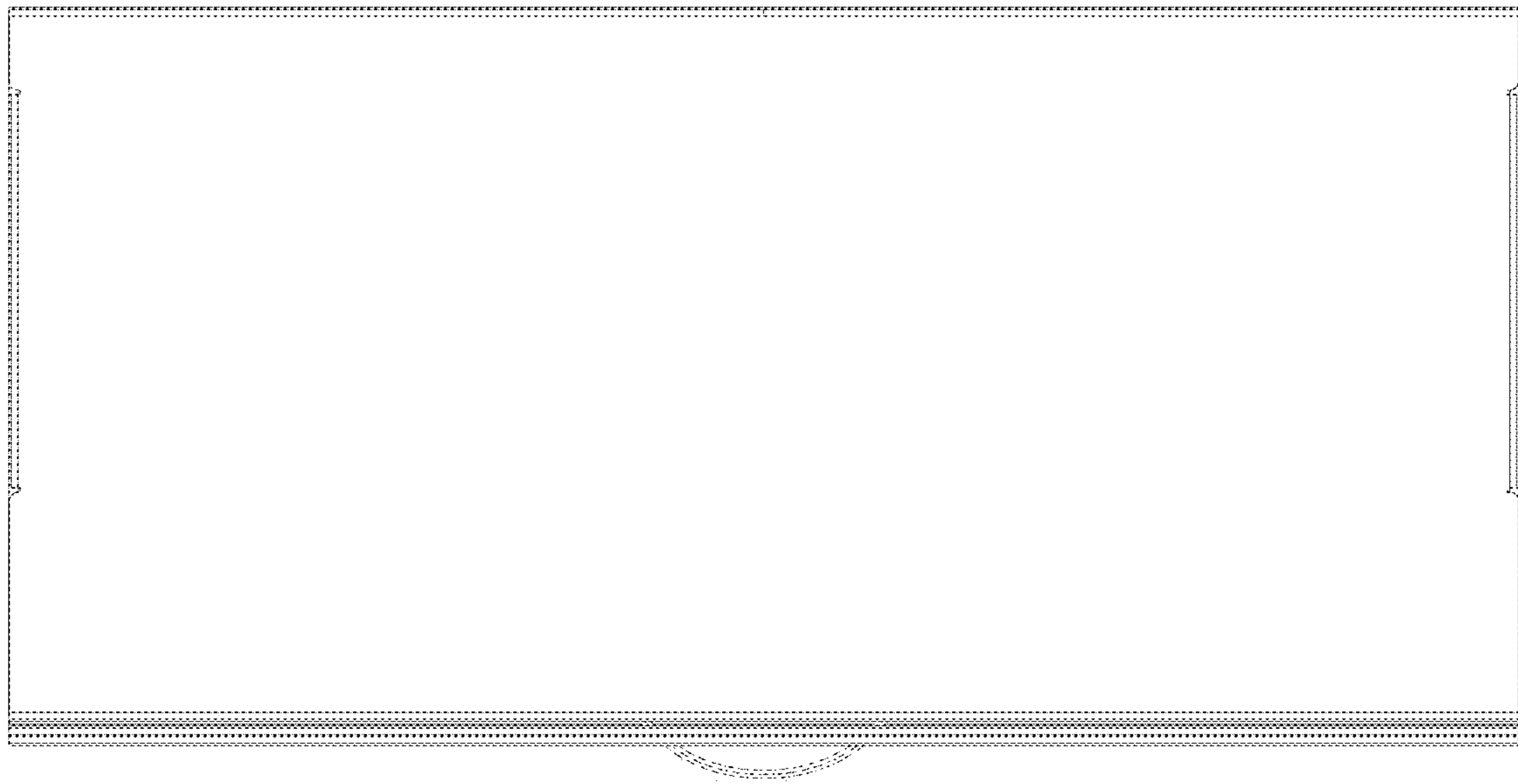


FIG. 5

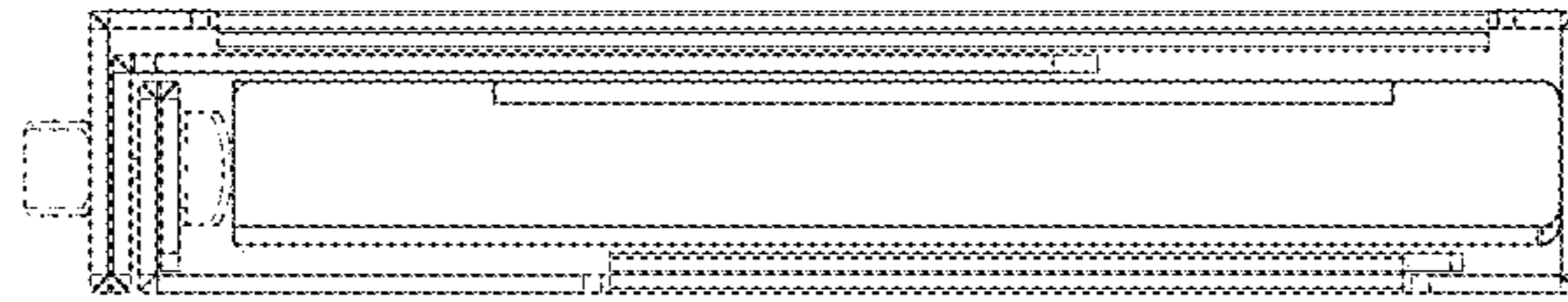


FIG. 6



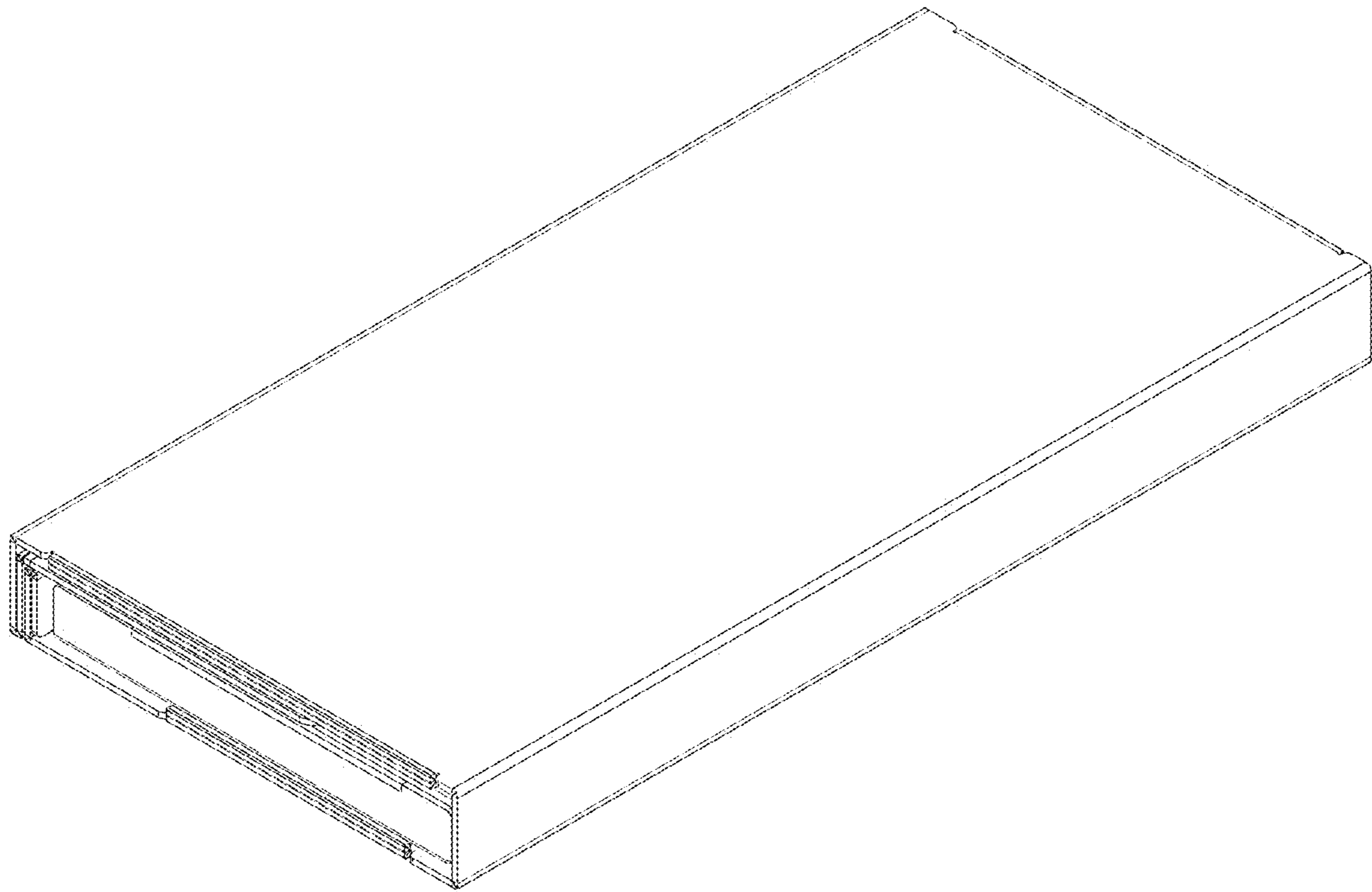


FIG. 7

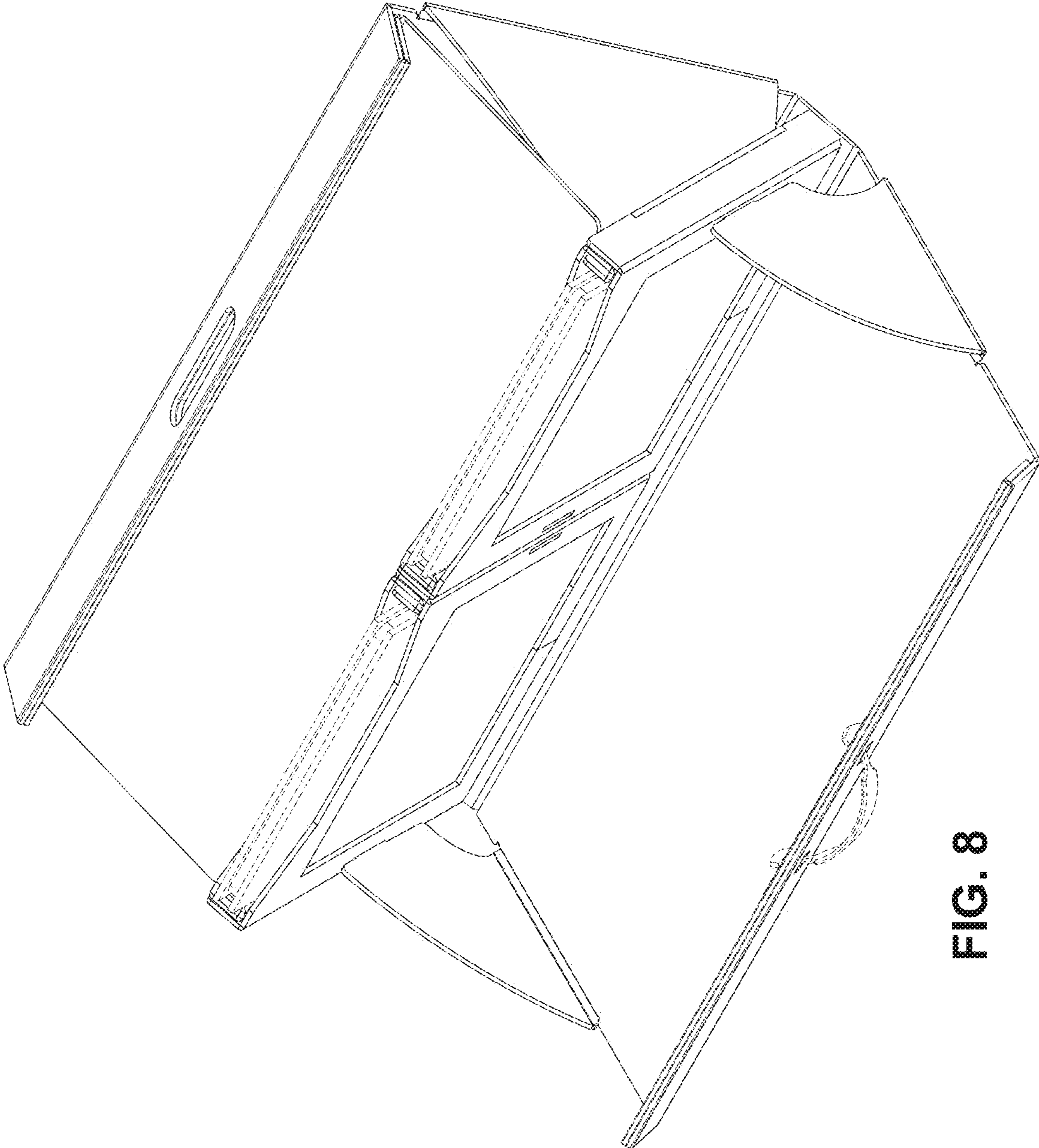


FIG. 8

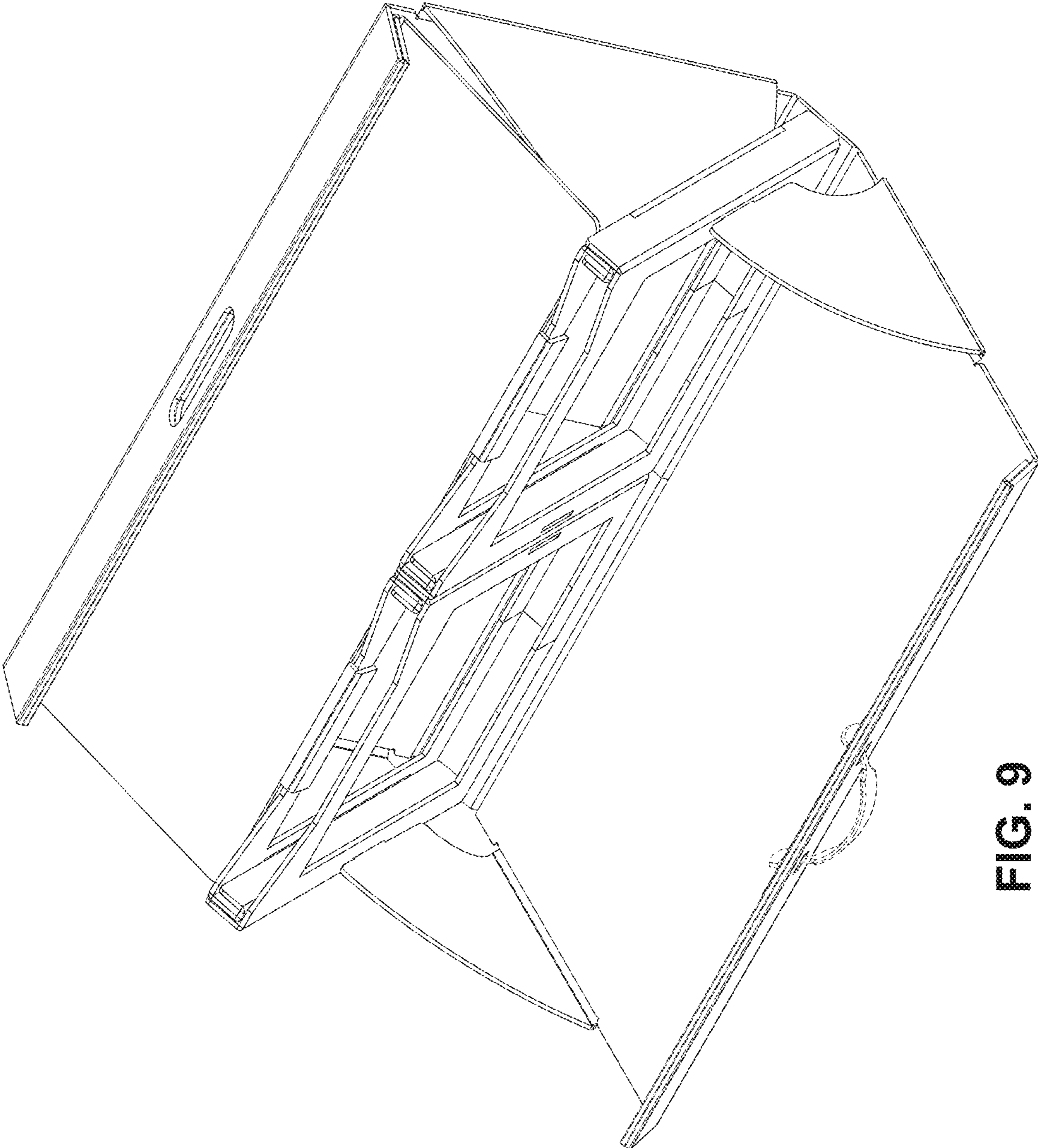


FIG. 9

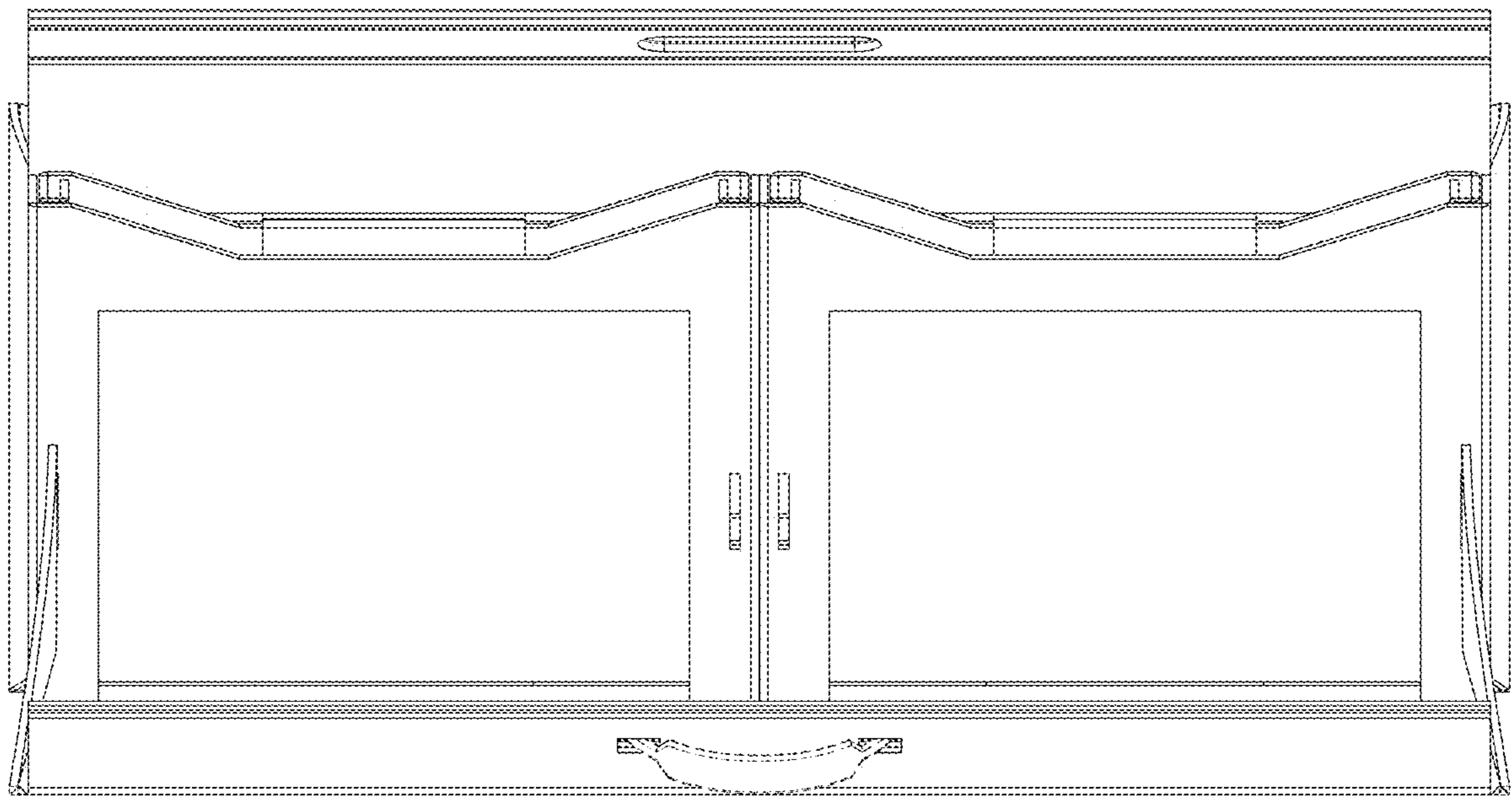


FIG. 10

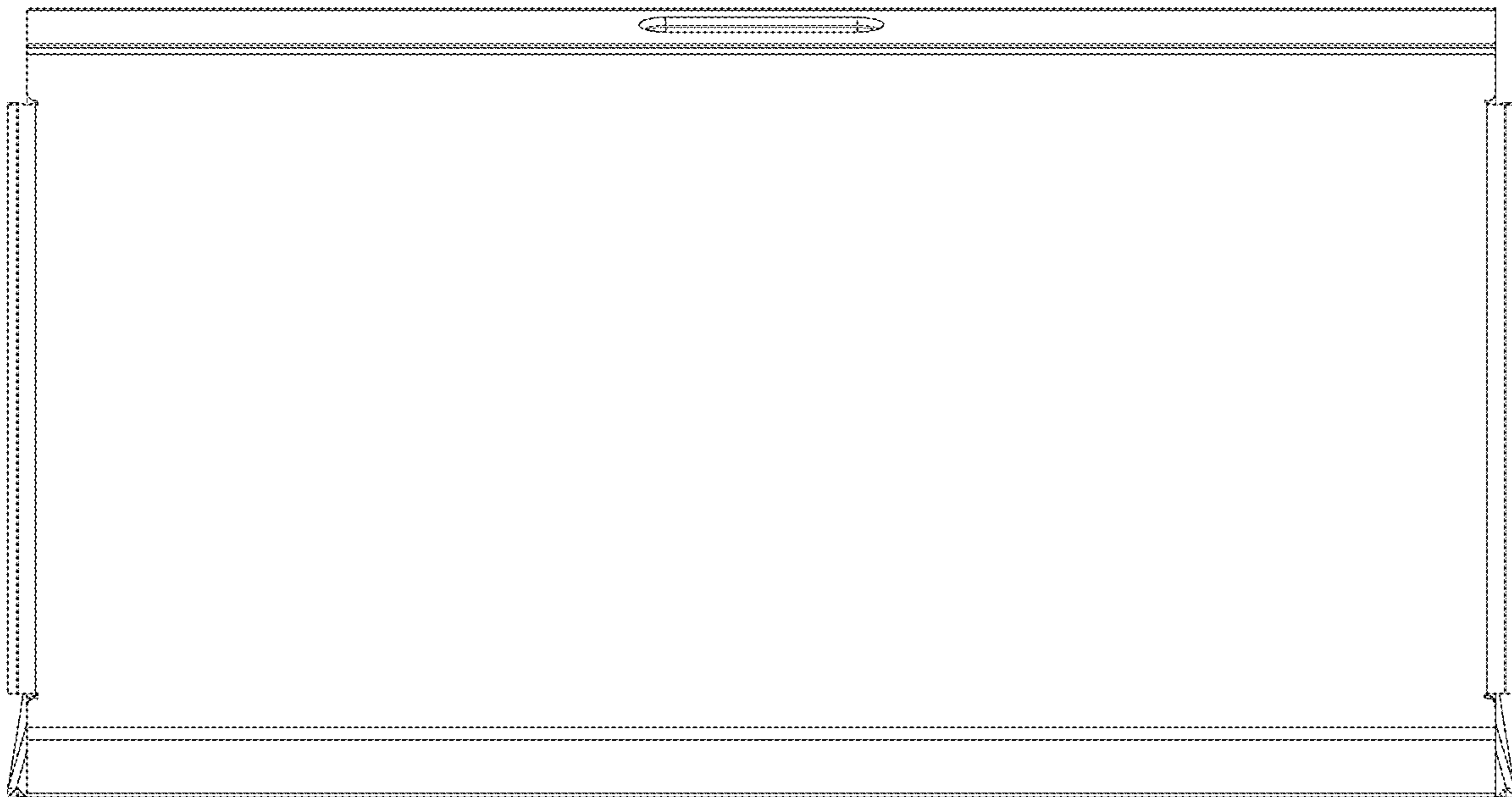


FIG. 11

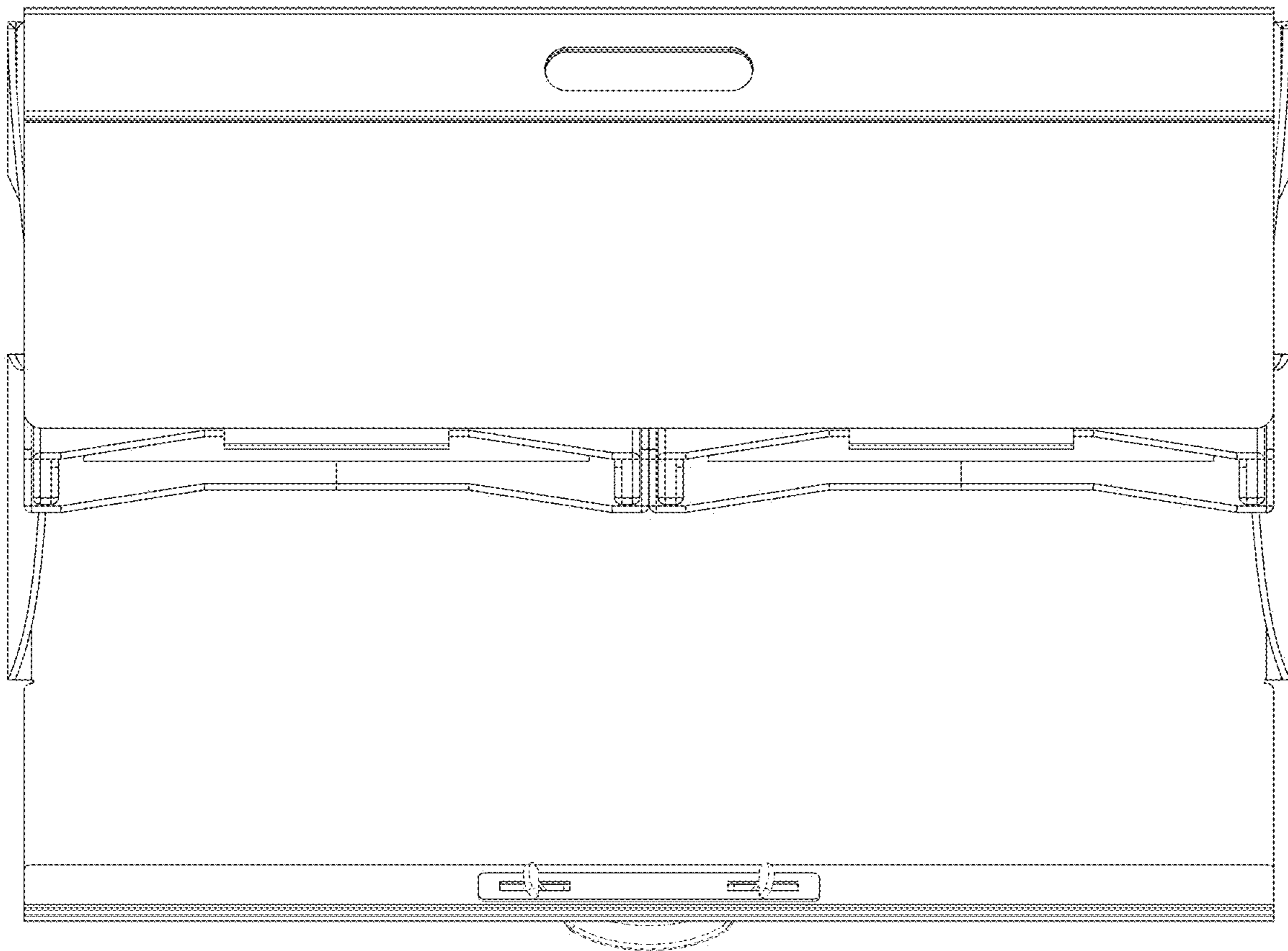


FIG. 12



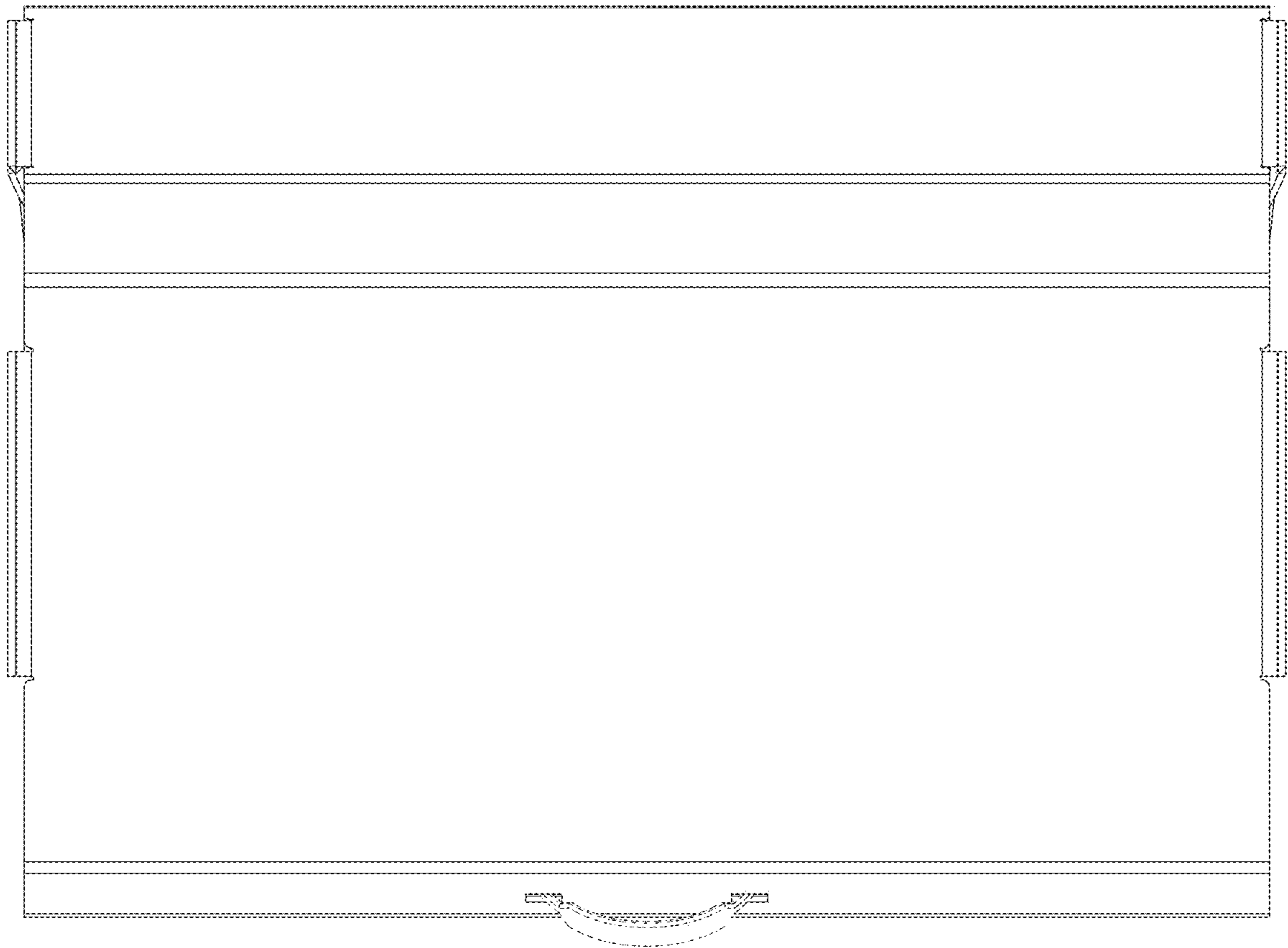


FIG. 13

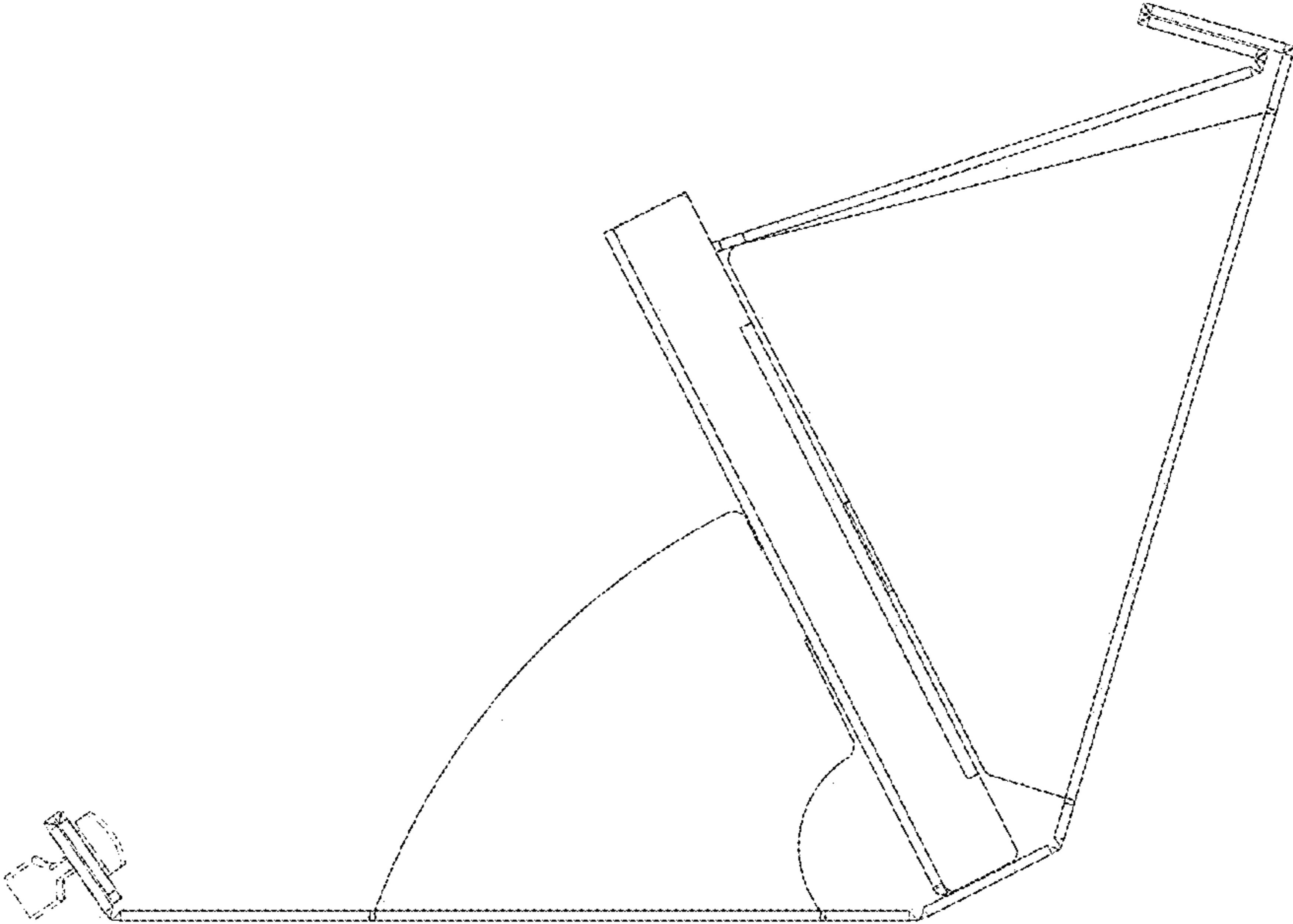


FIG. 14

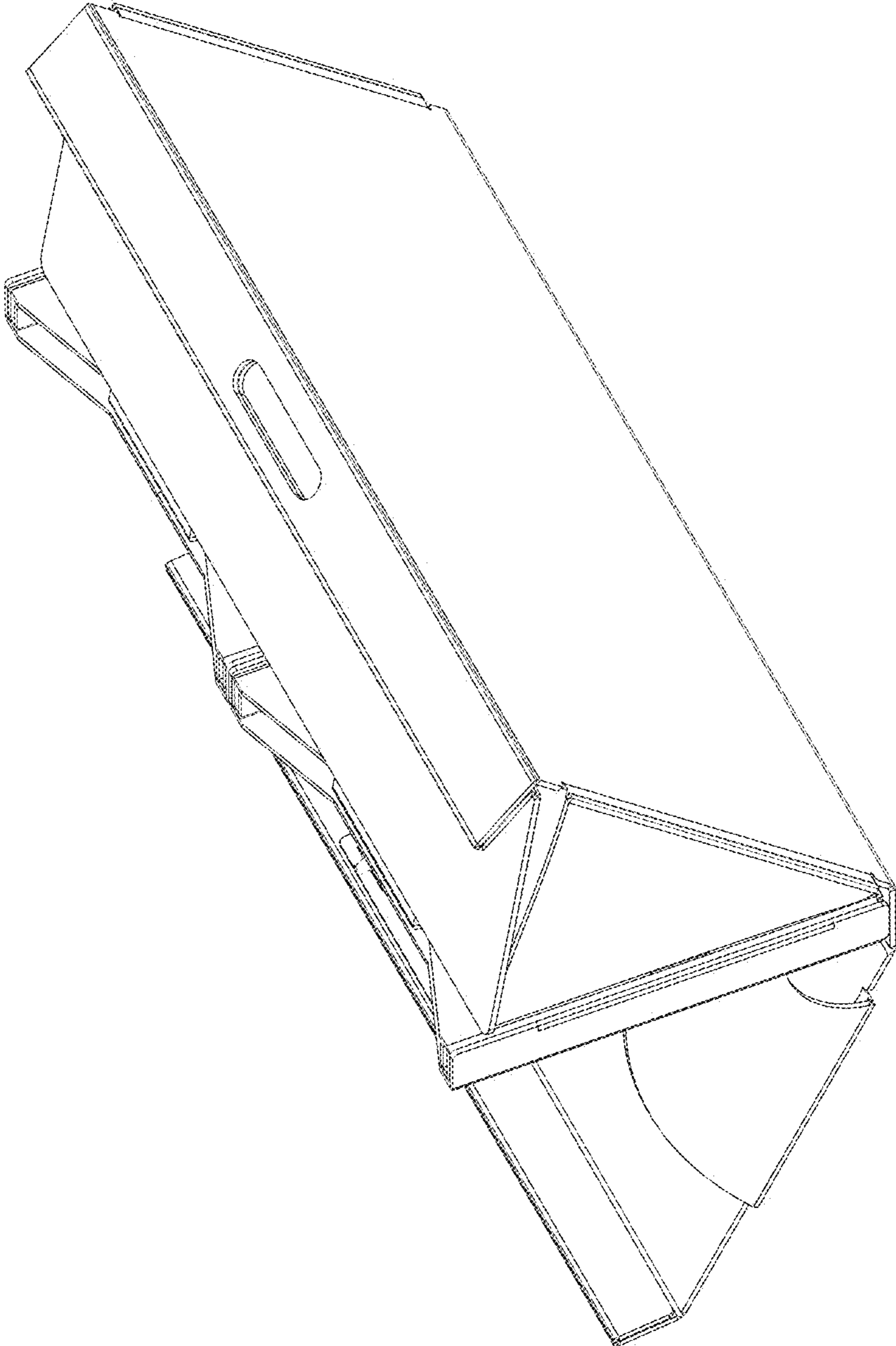


FIG. 15

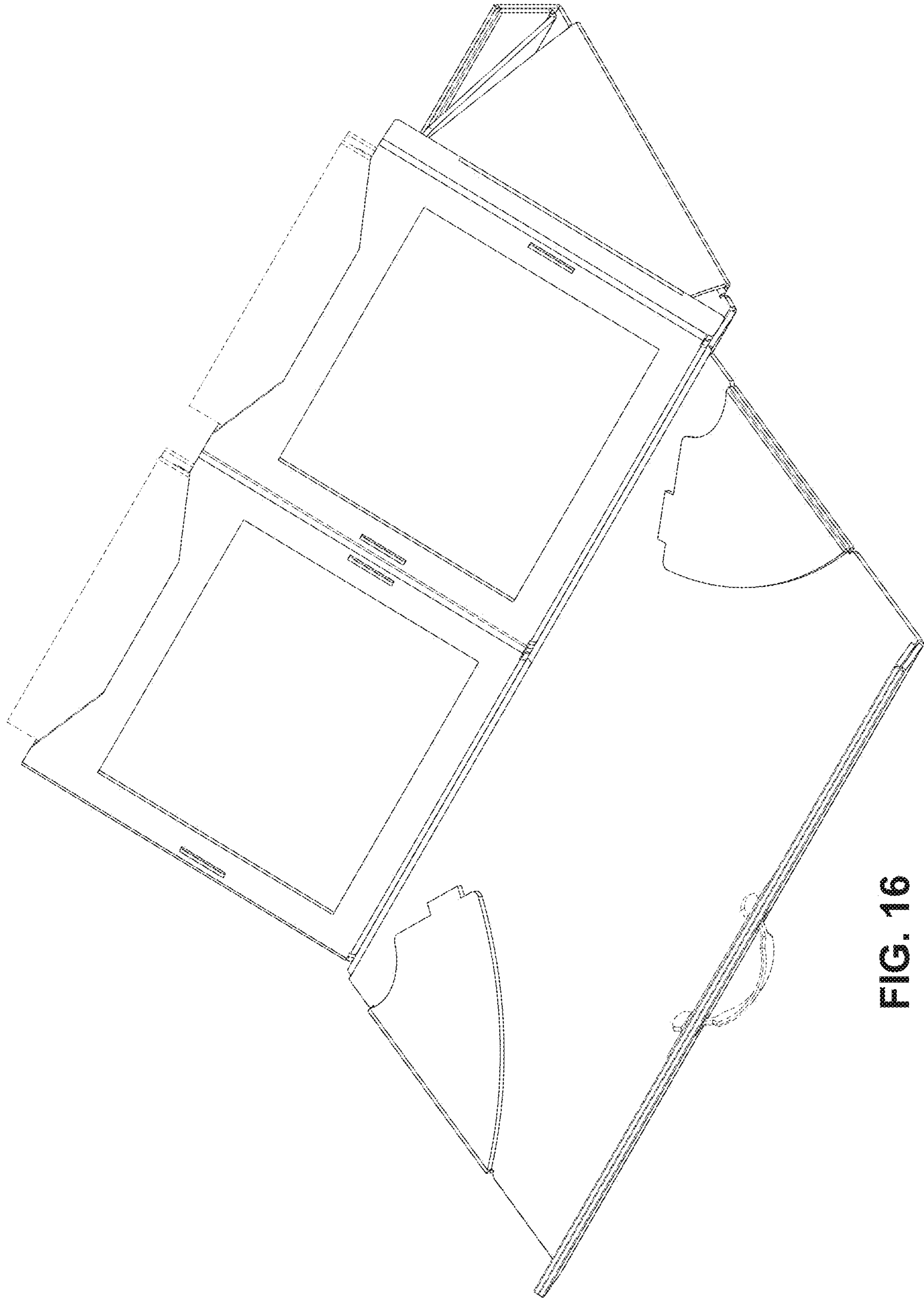


FIG. 16

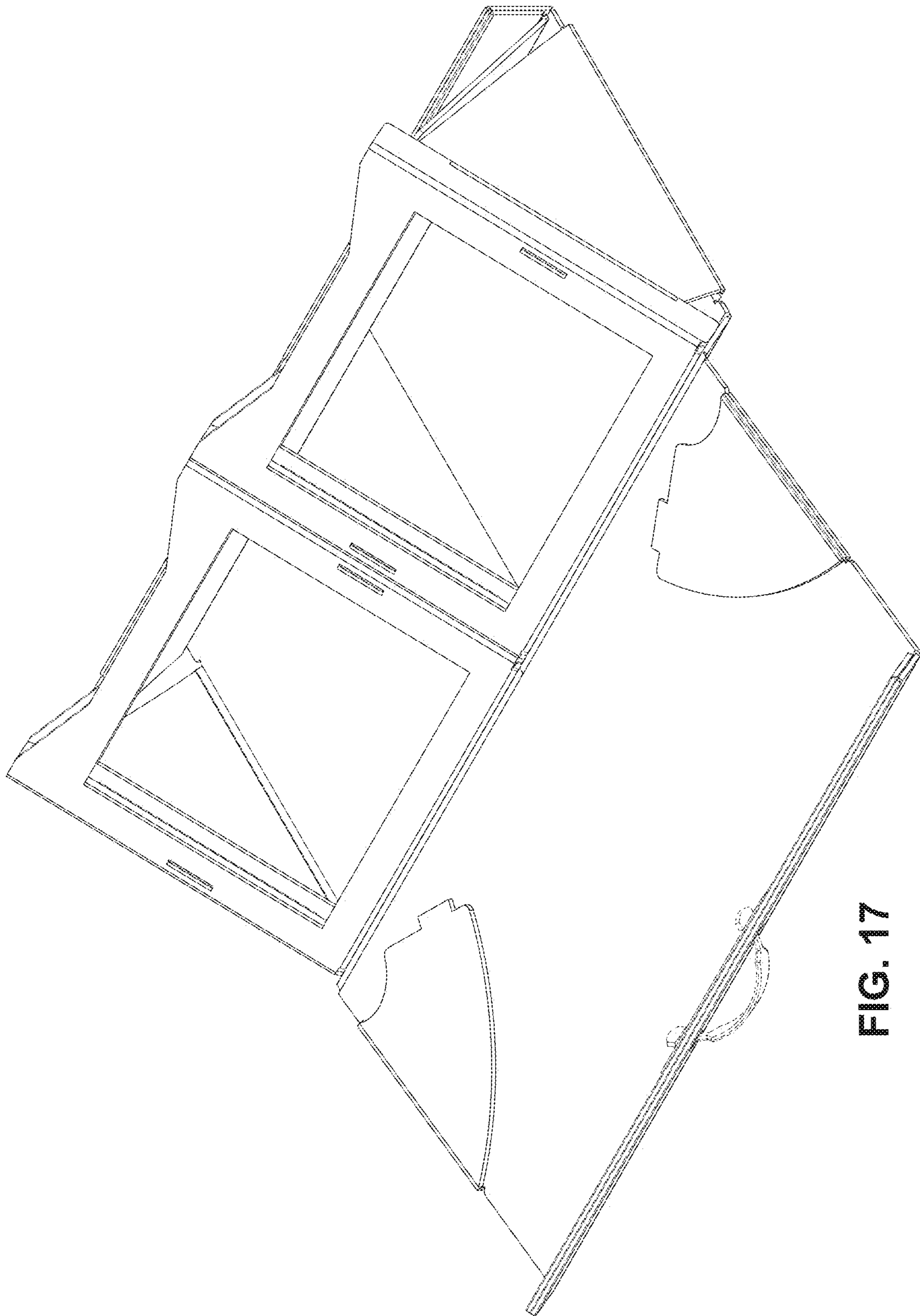


FIG. 17

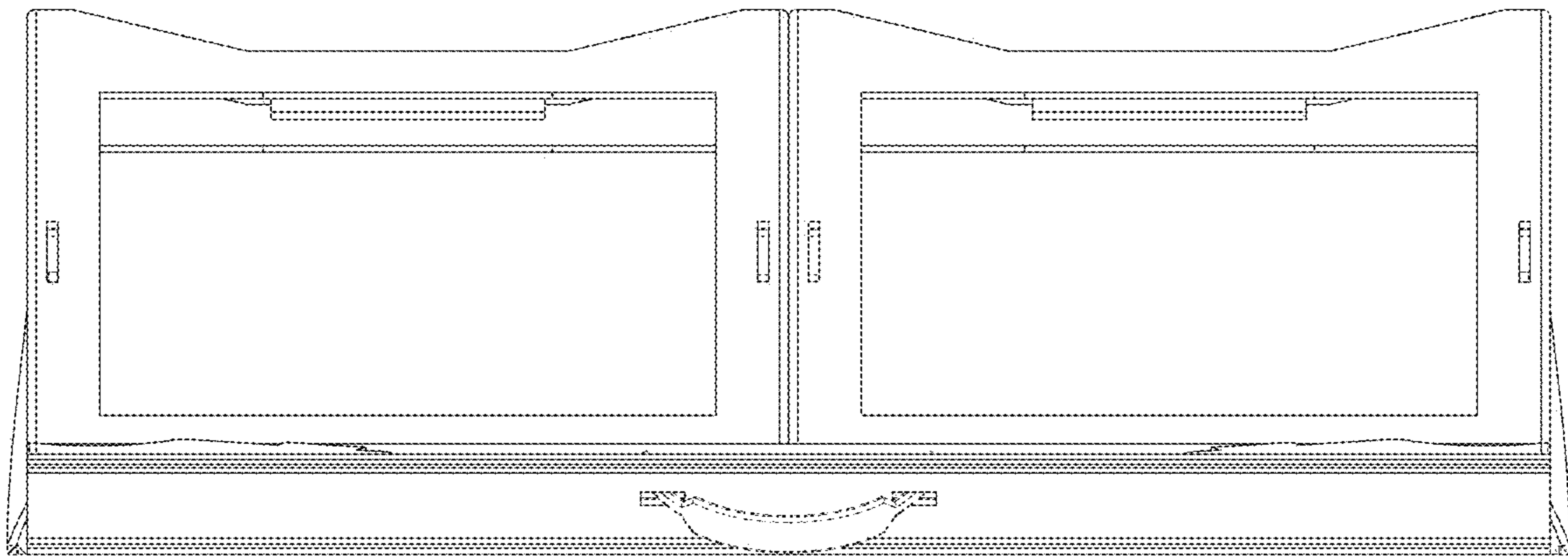


FIG. 18



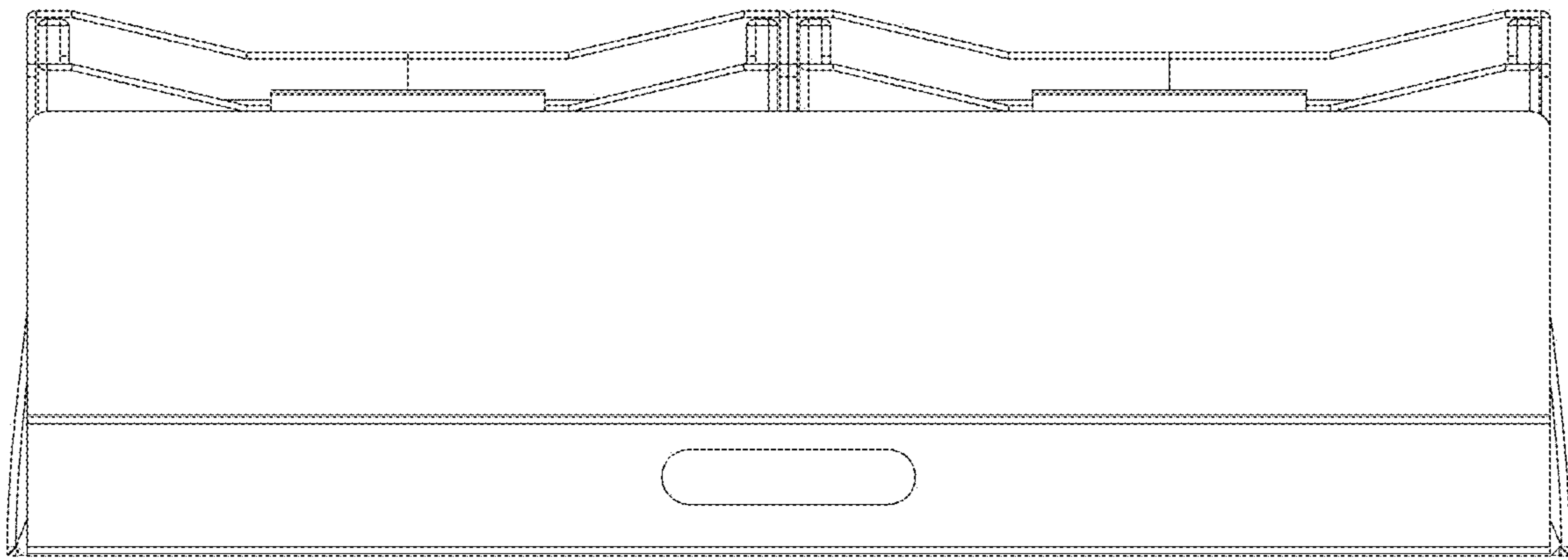


FIG. 19

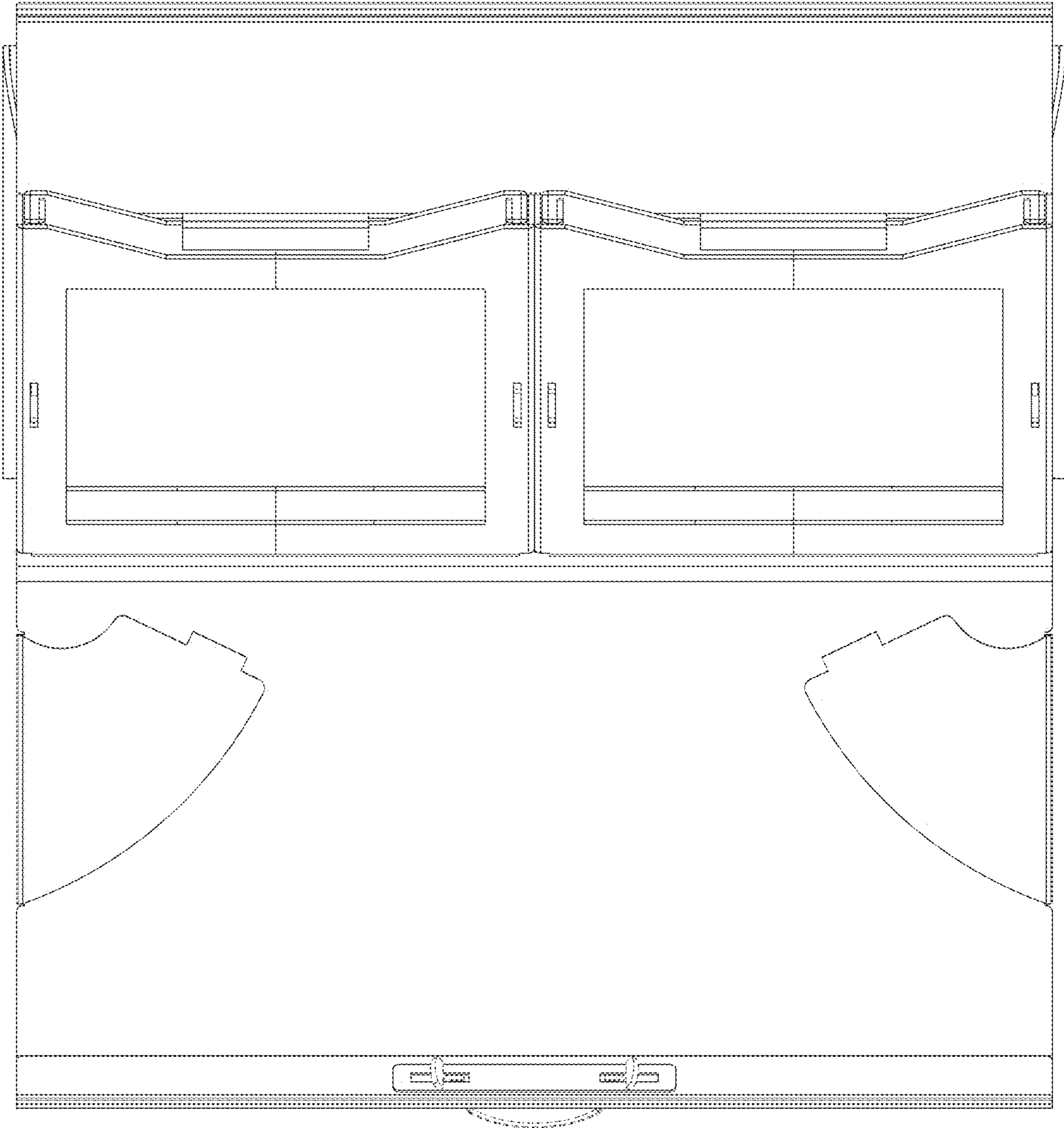


FIG. 20

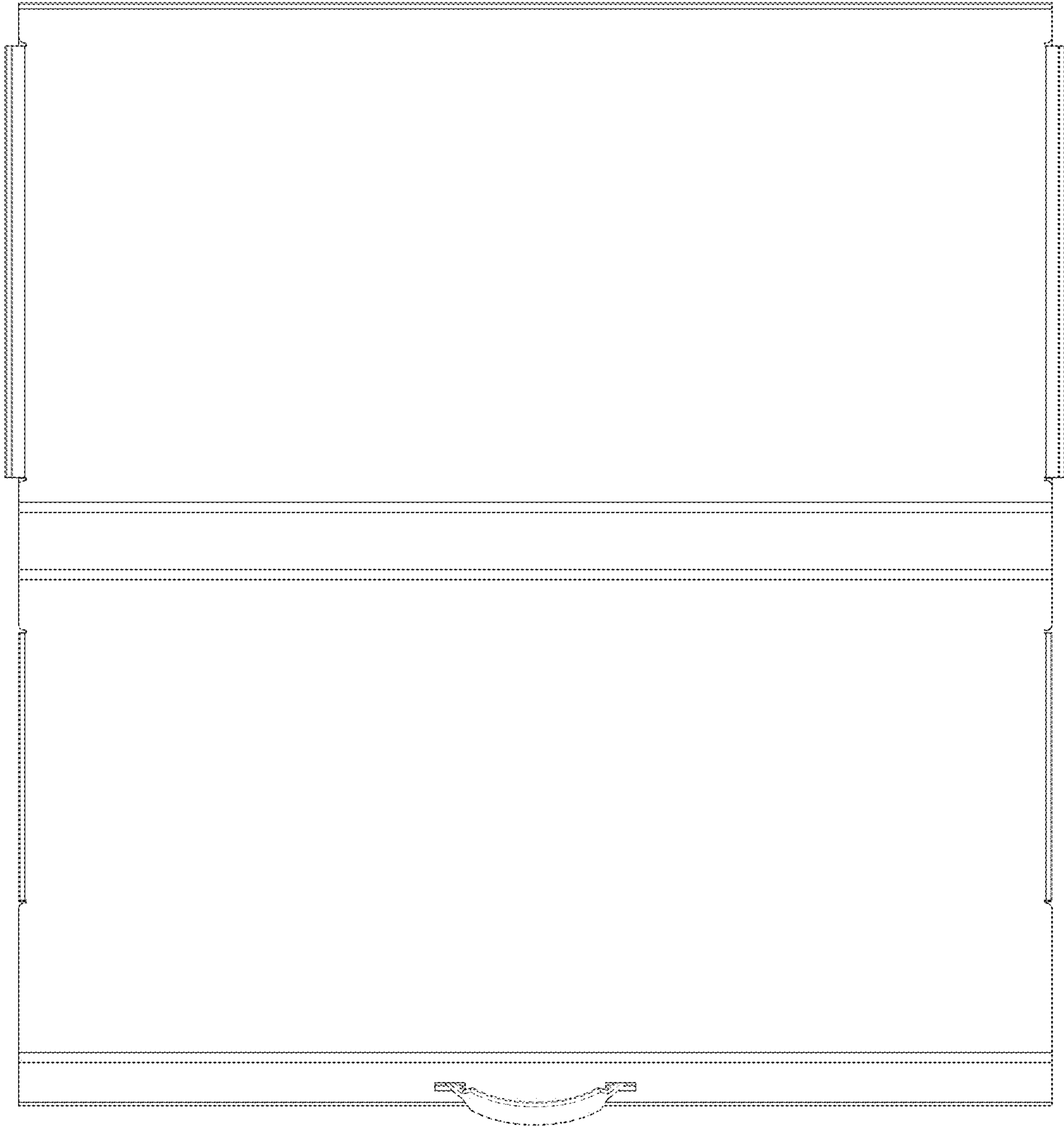


FIG. 21

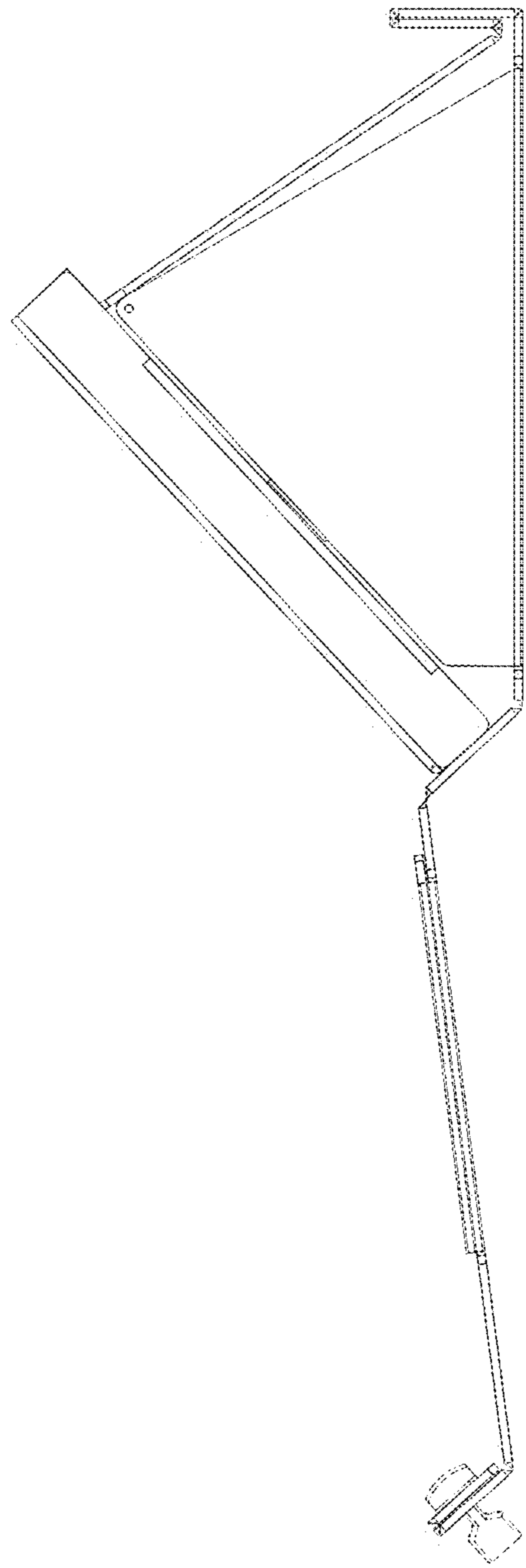


FIG. 22

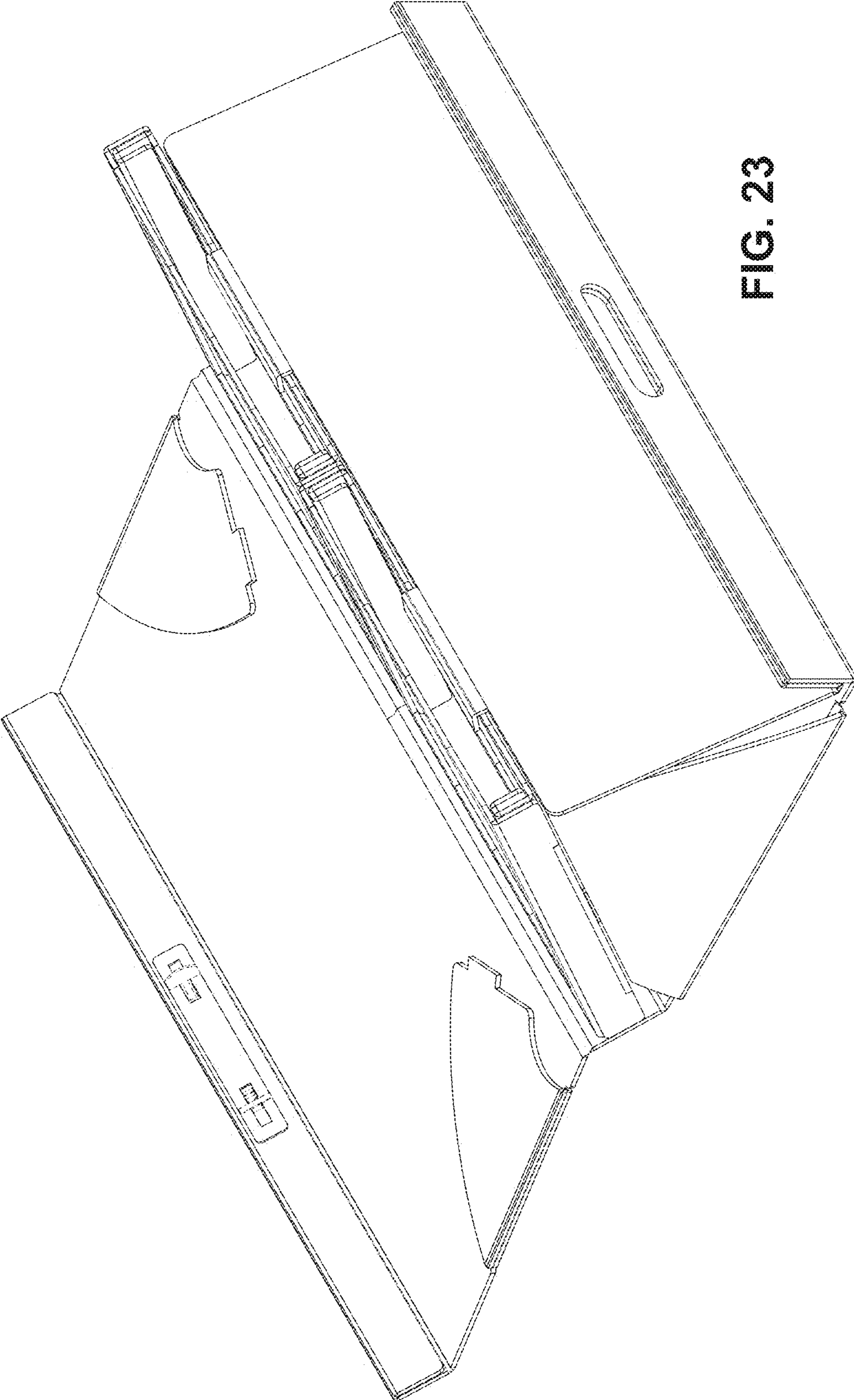


FIG. 23