



US00D944079S

(12) **United States Design Patent**
Young et al.

(10) **Patent No.:** **US D944,079 S**
(45) **Date of Patent:** **** Feb. 22, 2022**

(54) **CORNER BRACKET FITTING FOR USE IN AN ATTACHMENT SYSTEM**

(71) Applicant: **The Boeing Company**, Chicago, IL (US)

(72) Inventors: **Stephen M. Young**, Long Beach, CA (US); **Saul Ramirez**, Long Beach, CA (US); **Joshua Youngmin Baek**, Long Beach, CA (US)

(73) Assignee: **The Boeing Company**, Chicago, IL (US)

(**) Term: **15 Years**

(21) Appl. No.: **29/737,958**

(22) Filed: **Jun. 12, 2020**

(51) **LOC (13) Cl.** **08-08**

(52) **U.S. Cl.**
USPC **D8/382; D12/345**

(58) **Field of Classification Search**
USPC **D8/382, 349, 354, 366, 371, 380, 381; D12/223, 400, 345**

(Continued)

(56) **References Cited**

U.S. PATENT DOCUMENTS

4,265,423 A * 5/1981 Vecchiarelli E06B 9/323
160/902
5,580,181 A * 12/1996 Nomura A47B 47/0016
403/170

(Continued)

FOREIGN PATENT DOCUMENTS

DE 2925744 A1 * 1/1980 H02B 1/01
DE 3711222 A1 10/1987

(Continued)

OTHER PUBLICATIONS

Extended European Search Report dated Oct. 19, 2021 regarding EP Application No. 21169490.6; 8 pages.

Primary Examiner — Holly E Thurman

Assistant Examiner — Ieisha N Price

(74) *Attorney, Agent, or Firm* — Yee & Associates, P.C.

(57) **CLAIM**

The ornamental design for a corner bracket fitting for use in an attachment system, as shown and described.

DESCRIPTION

FIG. 1 is an upper front perspective view of the first embodiment of a corner bracket fitting for use in an attachment system of the claimed design;

FIG. 2 is an upper back perspective view of the corner bracket fitting for use in an attachment system of FIG. 1;

FIG. 3 is a front view of the corner bracket fitting of FIG. 1;

FIG. 4 is a back view of the corner bracket fitting of FIG. 1;

FIG. 5 is a bottom view of the corner bracket fitting of FIG. 1;

FIG. 6 is a top view of the corner bracket fitting of FIG. 1;

FIG. 7 is a left view of the corner bracket fitting of FIG. 1;

FIG. 8 is a right view of the corner bracket fitting of FIG. 1;

FIG. 9 is an upper front perspective view of the second embodiment of a corner bracket fitting for use in an attachment system of the claimed design;

FIG. 10 is an upper back perspective view of the corner bracket fitting for use in an attachment system of FIG. 9;

FIG. 11 is a front view of the corner bracket fitting of FIG. 9;

FIG. 12 is a back view of the corner bracket fitting of FIG. 9;

FIG. 13 is a bottom view of the corner bracket fitting of FIG. 9;

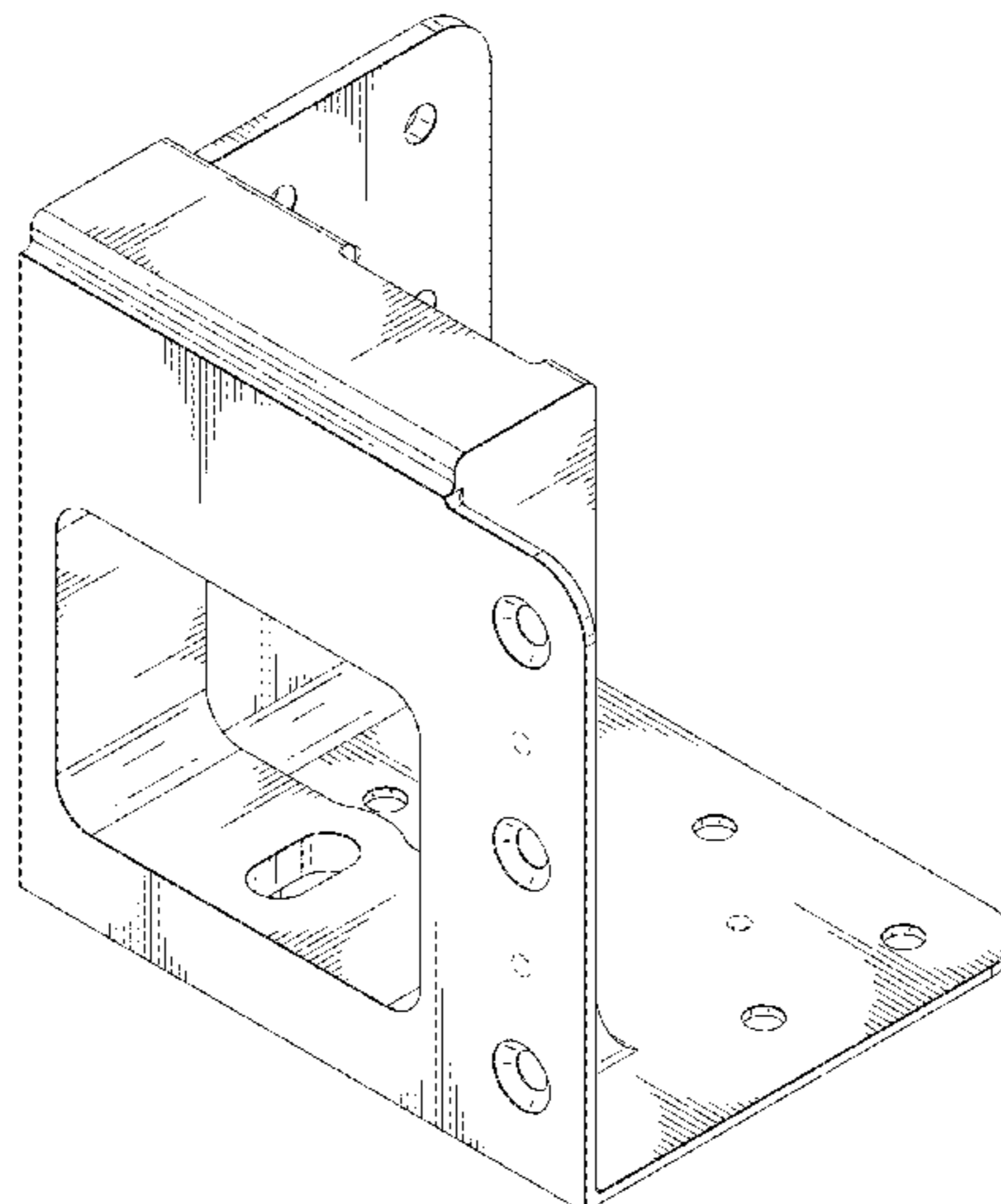
FIG. 14 is a top view of the corner bracket fitting of FIG. 9;

FIG. 15 is a left view of the corner bracket fitting of FIG. 9;

FIG. 16 is a right view of the corner bracket fitting of FIG. 9.

The broken lines in the drawings illustrate portions of the corner bracket fitting for use in an attachment system and form no part of the claimed design.

1 Claim, 16 Drawing Sheets



(58) **Field of Classification Search**

CPC B64C 1/1407; B64C 1/18; B64D 11/04;
 B64D 11/00; B64D 11/0007; B64D
 2011/0046; B64F 5/10; E05B 85/04;
 F16B 5/0004; F16B 2012/145; F16B
 12/50

See application file for complete search history.

(56) **References Cited**

U.S. PATENT DOCUMENTS

D378,988 S * 4/1997 Brown D8/380
 D564,880 S * 3/2008 Chang D9/456
 D626,823 S * 11/2010 Wood D8/381
 D678,045 S * 3/2013 Paolini D8/382
 8,540,201 B2 * 9/2013 Gadd E04B 1/2608
 248/300
 D712,816 S * 9/2014 Maholick D12/223
 D723,294 S * 3/2015 O'Hara A47B 96/16
 D6/513
 D730,804 S 6/2015 Cuddy et al.
 D732,862 S * 6/2015 Lloyd D6/683
 9,316,015 B1 4/2016 Elliott
 9,322,180 B2 * 4/2016 Burt E04F 11/1836
 9,679,102 B2 6/2017 Lindgren et al.
 9,919,799 B2 3/2018 Altmyer et al.
 10,112,719 B2 10/2018 McIntosh et al.
 10,124,743 B2 11/2018 Talebpour et al.

10,124,897 B2 11/2018 Talebpour et al.
 10,260,541 B2 4/2019 Lewis et al.
 D855,525 S 8/2019 Schwartz et al.
 D857,480 S * 8/2019 Ryan D8/354
 10,443,635 B2 10/2019 Cuddy
 D866,305 S * 11/2019 Mercier D8/380
 10,486,832 B2 11/2019 Abelon et al.
 10,577,074 B2 3/2020 King
 10,633,119 B1 4/2020 Smirnov
 D906,788 S * 1/2021 Ochi D8/354
 2004/0155002 A1 * 8/2004 Toma F16B 12/50
 211/182
 2006/0226288 A1 * 10/2006 Vetillard B64C 1/18
 244/119
 2013/0259562 A1 10/2013 Burd
 2014/0312167 A1 * 10/2014 Rupp B64D 41/007
 244/54
 2017/0094951 A1 * 4/2017 Keller F16B 5/0004
 2019/0301504 A1 * 10/2019 Nelson F16B 12/50
 2020/0305597 A1 * 10/2020 Briosi A47B 47/0058

FOREIGN PATENT DOCUMENTS

DE 102015116585 A1 3/2017
 DE 102016221111 A1 4/2018
 EP 0867365 A2 9/1998
 EP 2848526 A1 3/2015
 WO 2012168305 A1 12/2012
 WO WO-2015127925 A1 * 9/2015 F16B 12/50

* cited by examiner

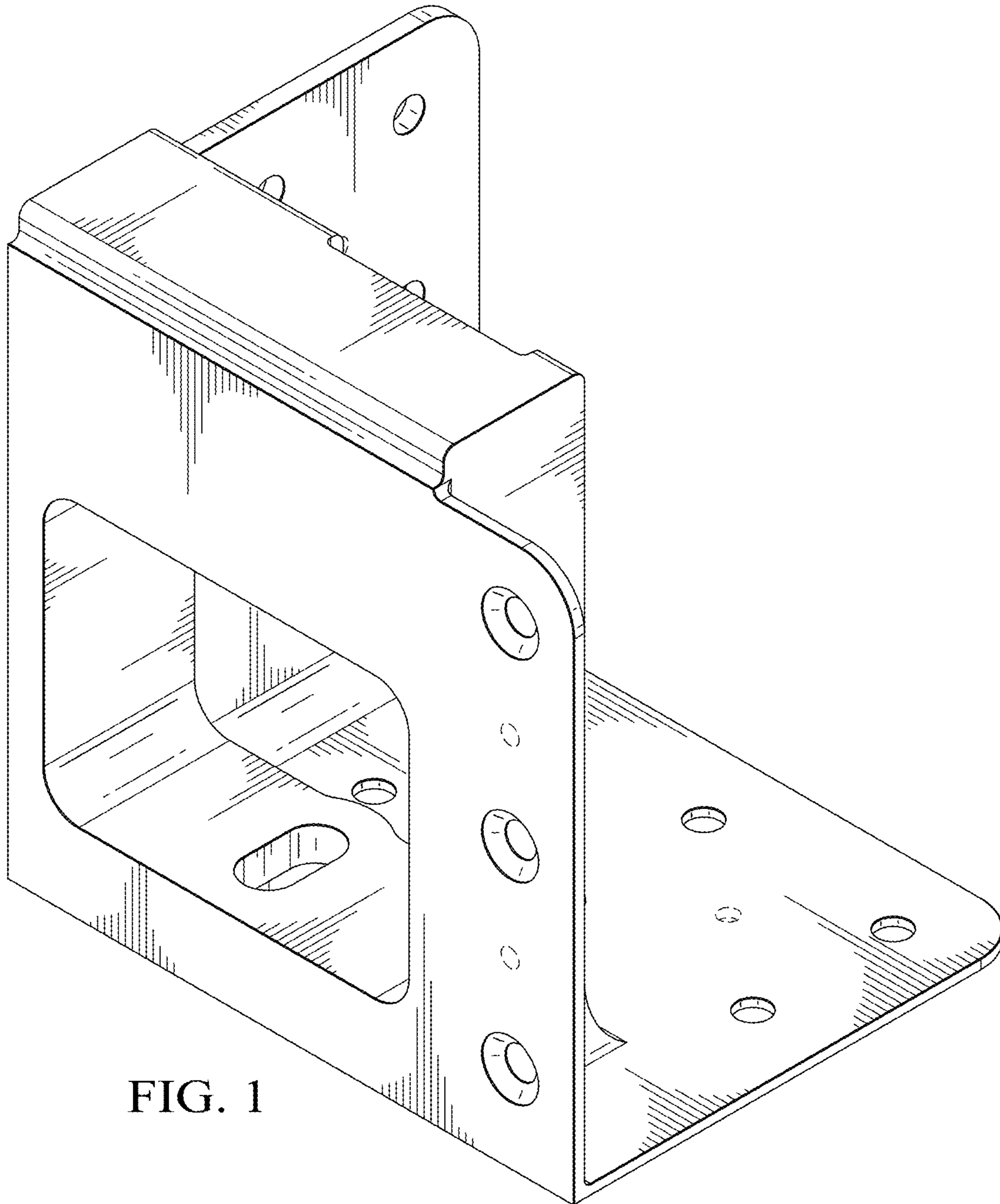


FIG. 1

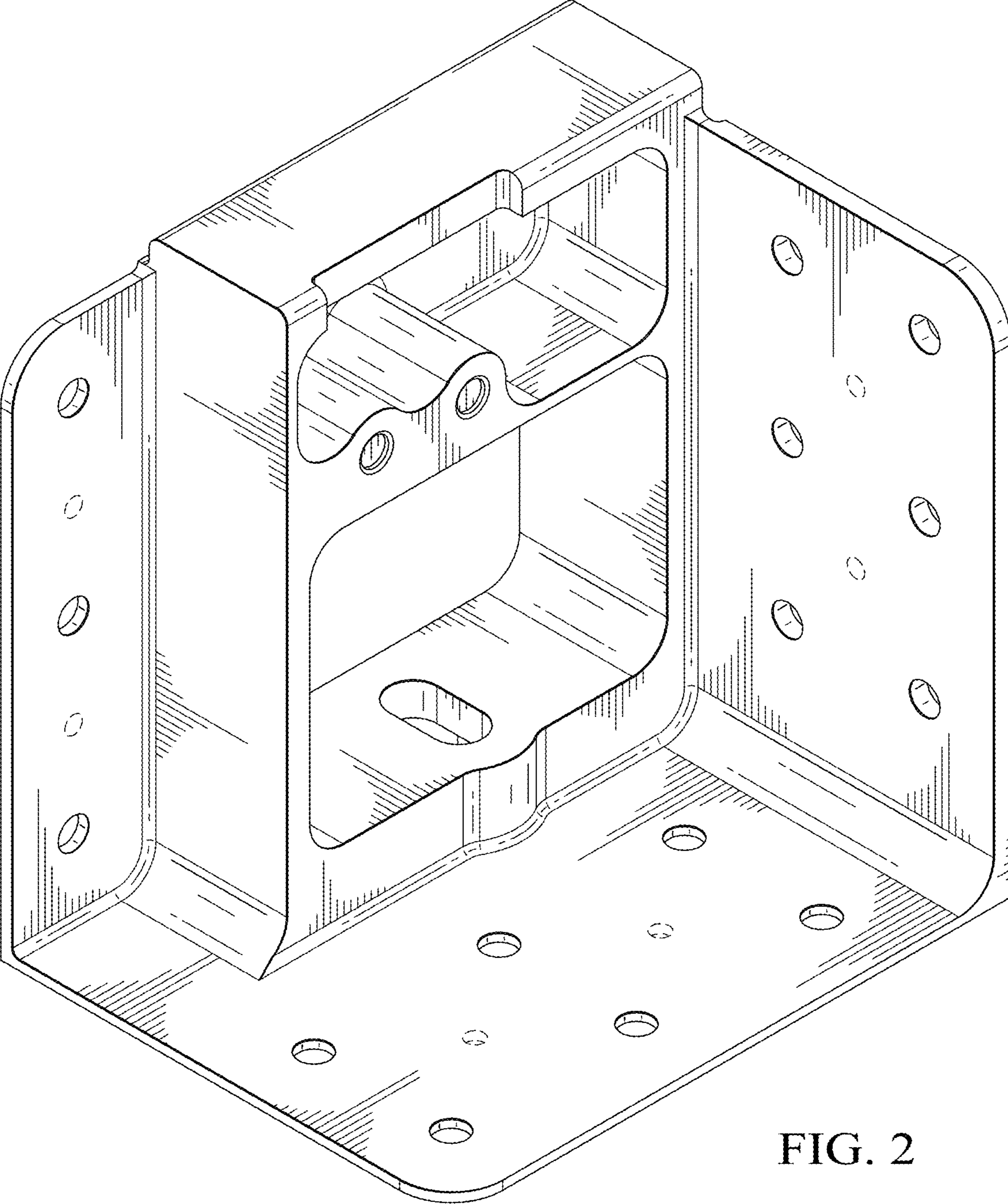


FIG. 2

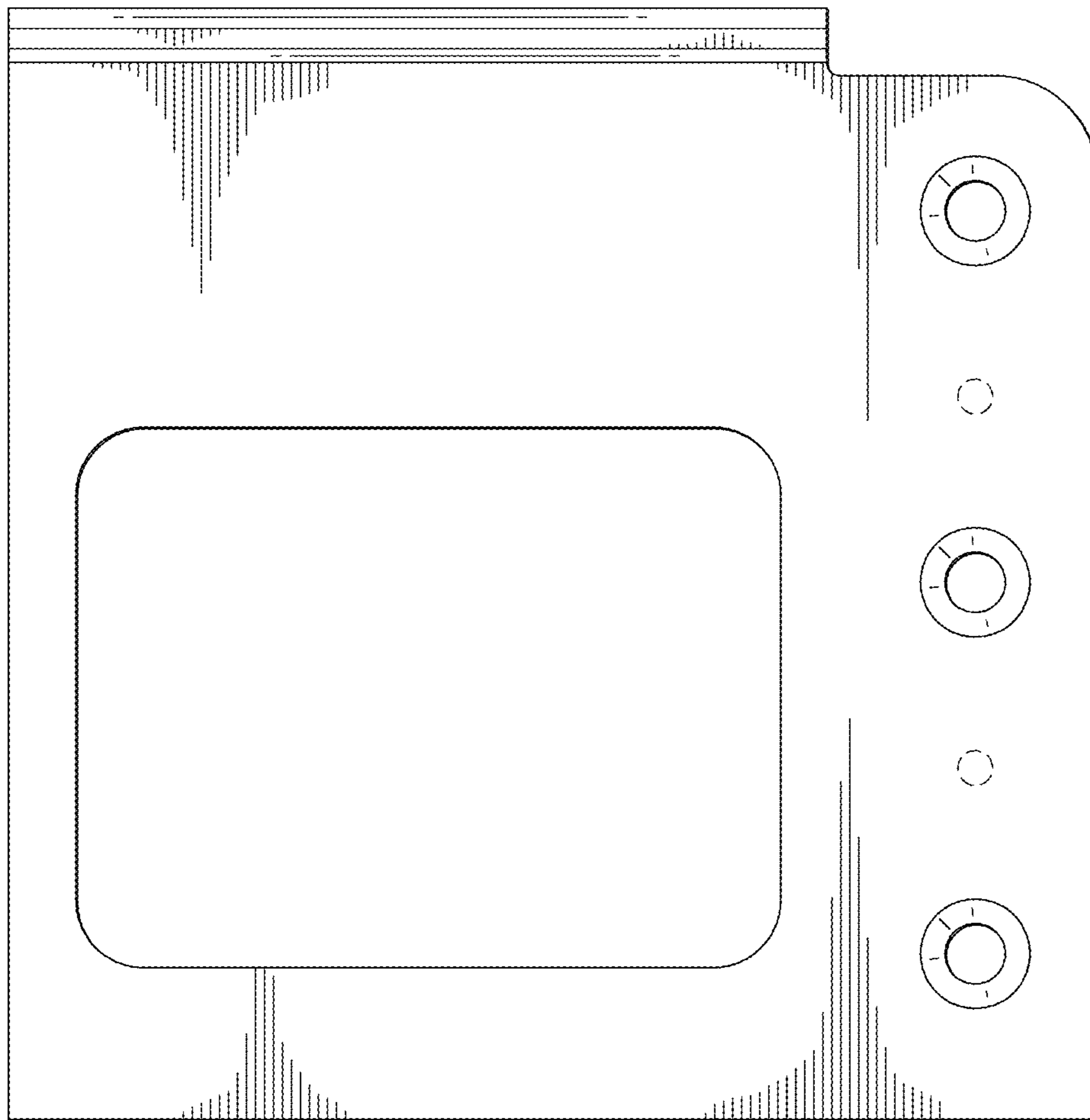


FIG. 3

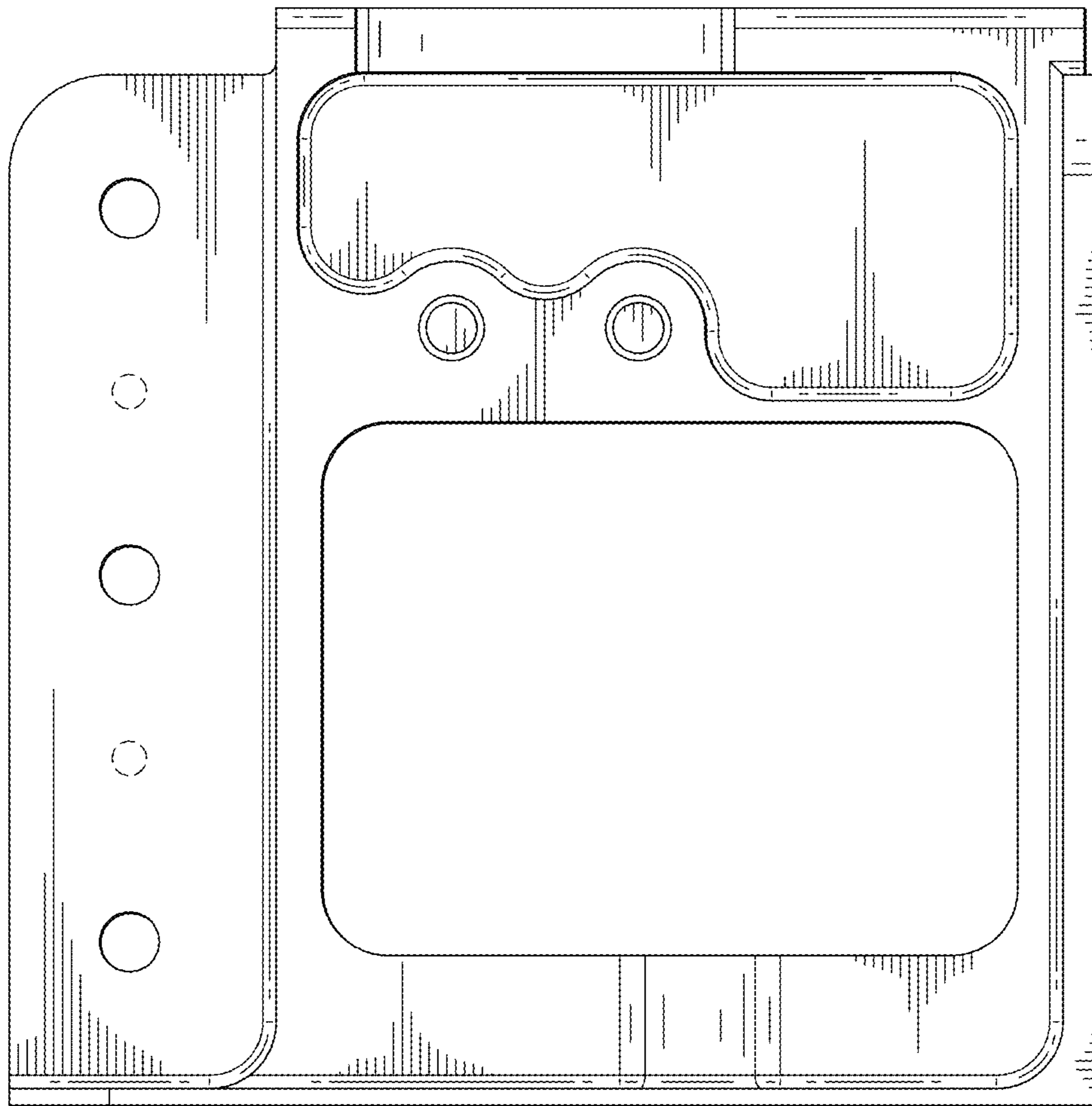


FIG. 4

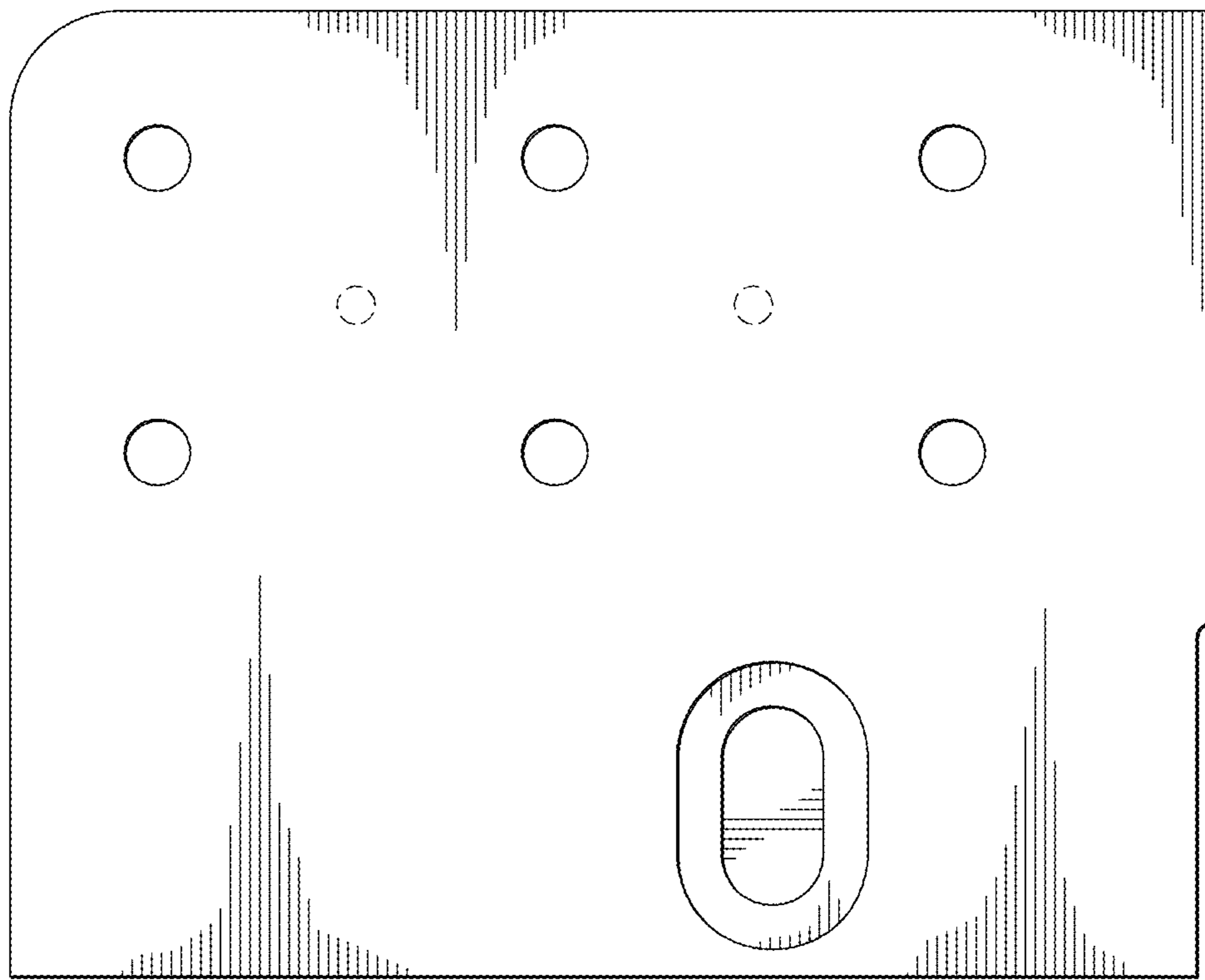


FIG. 5

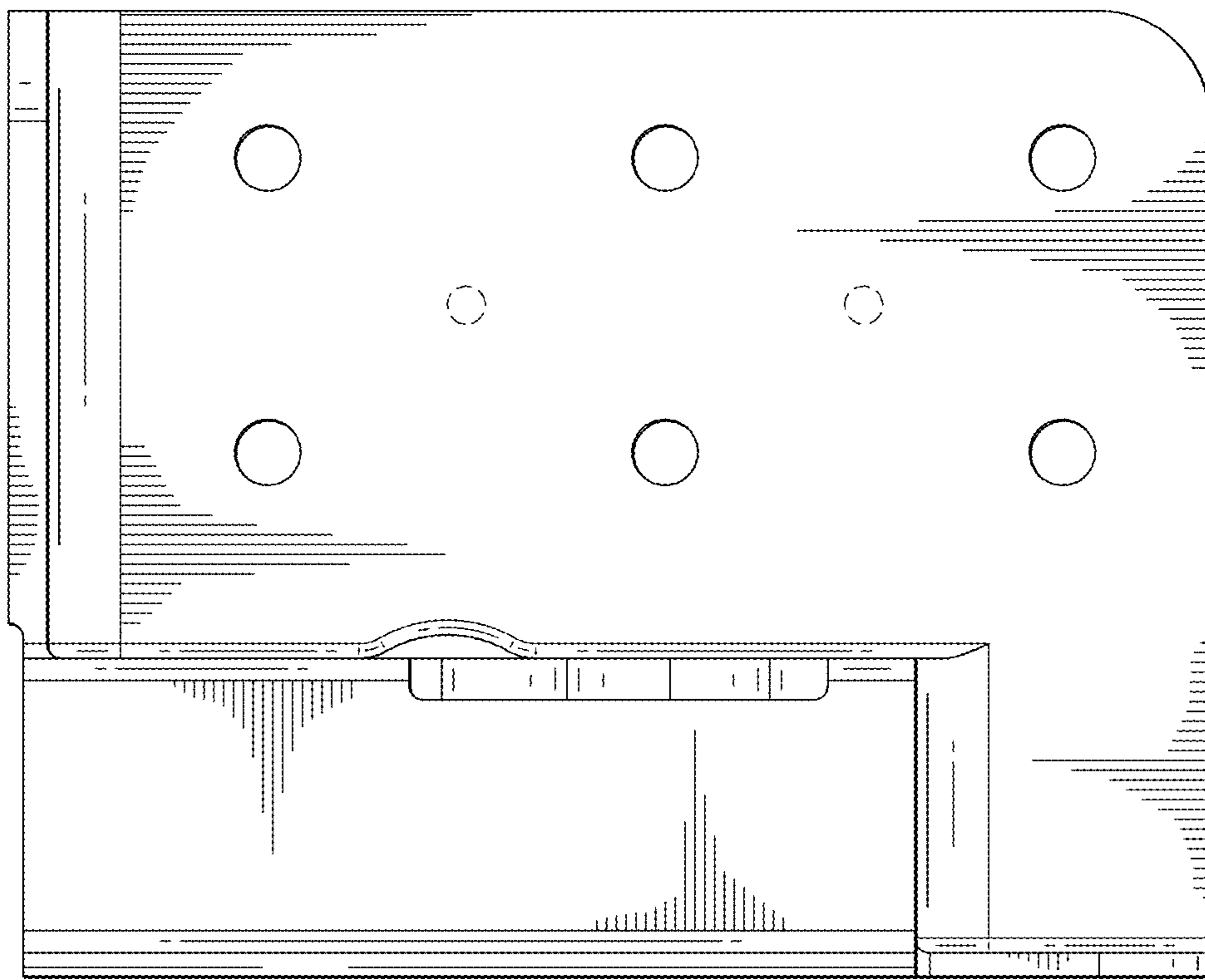


FIG. 6

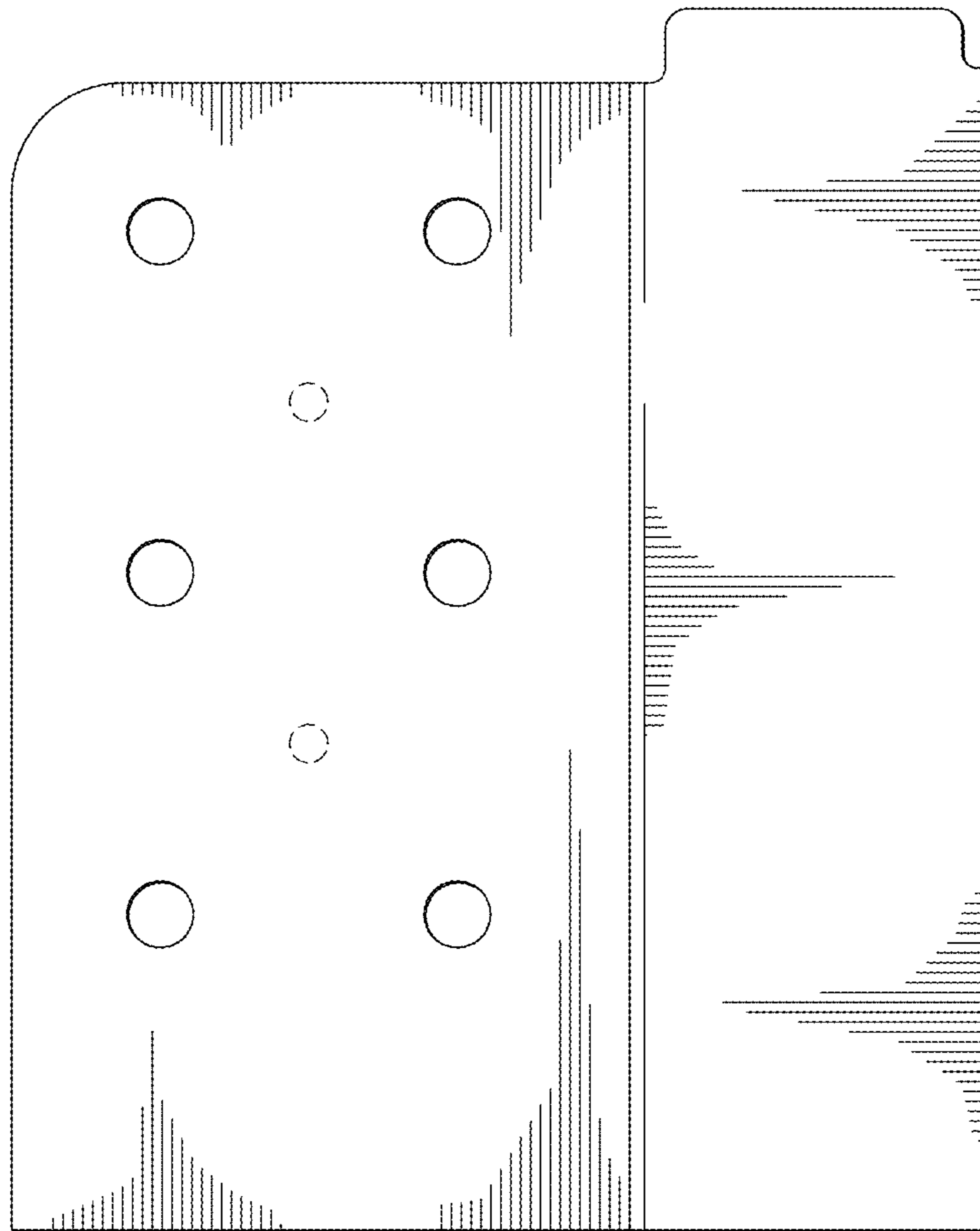


FIG. 7

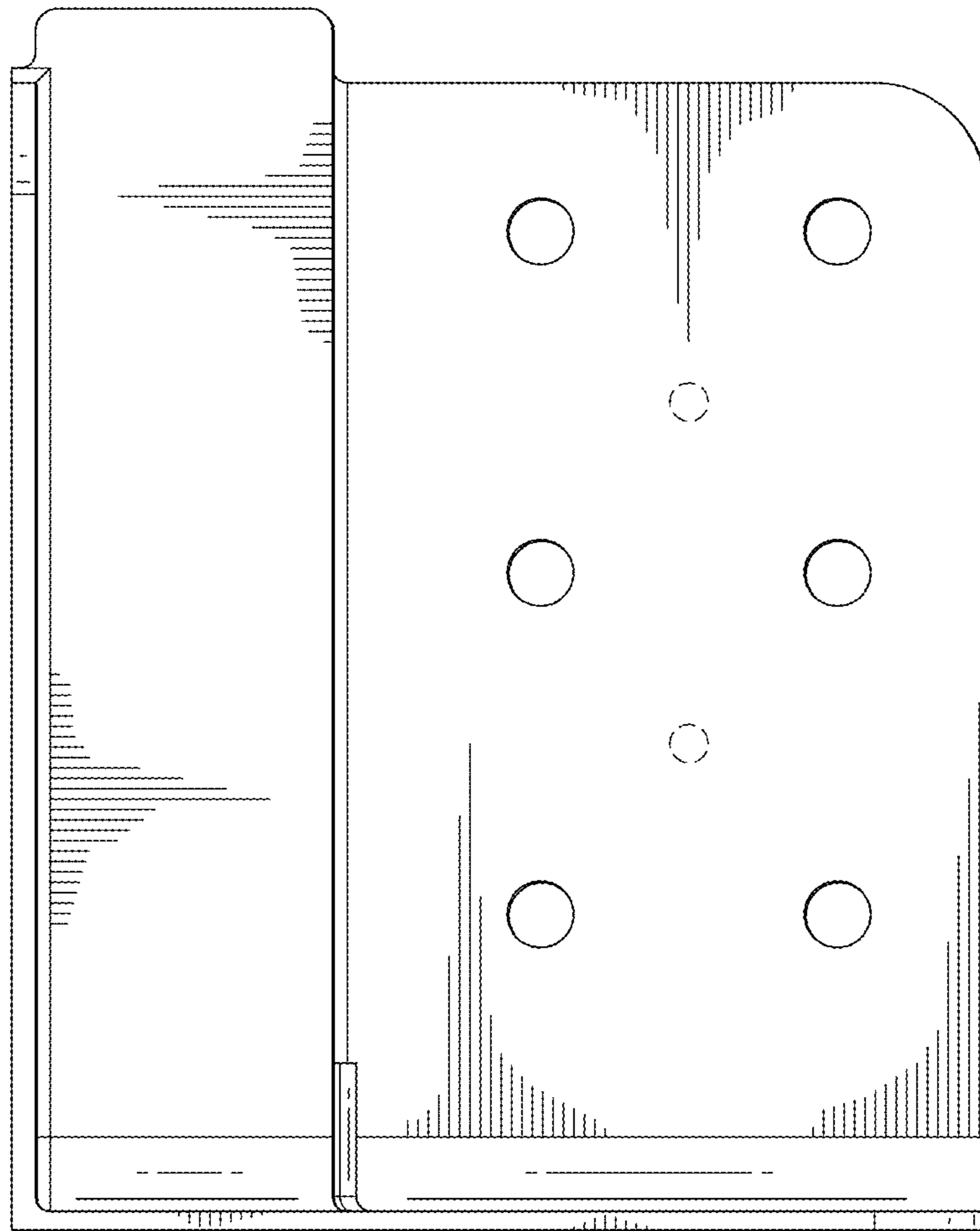


FIG. 8

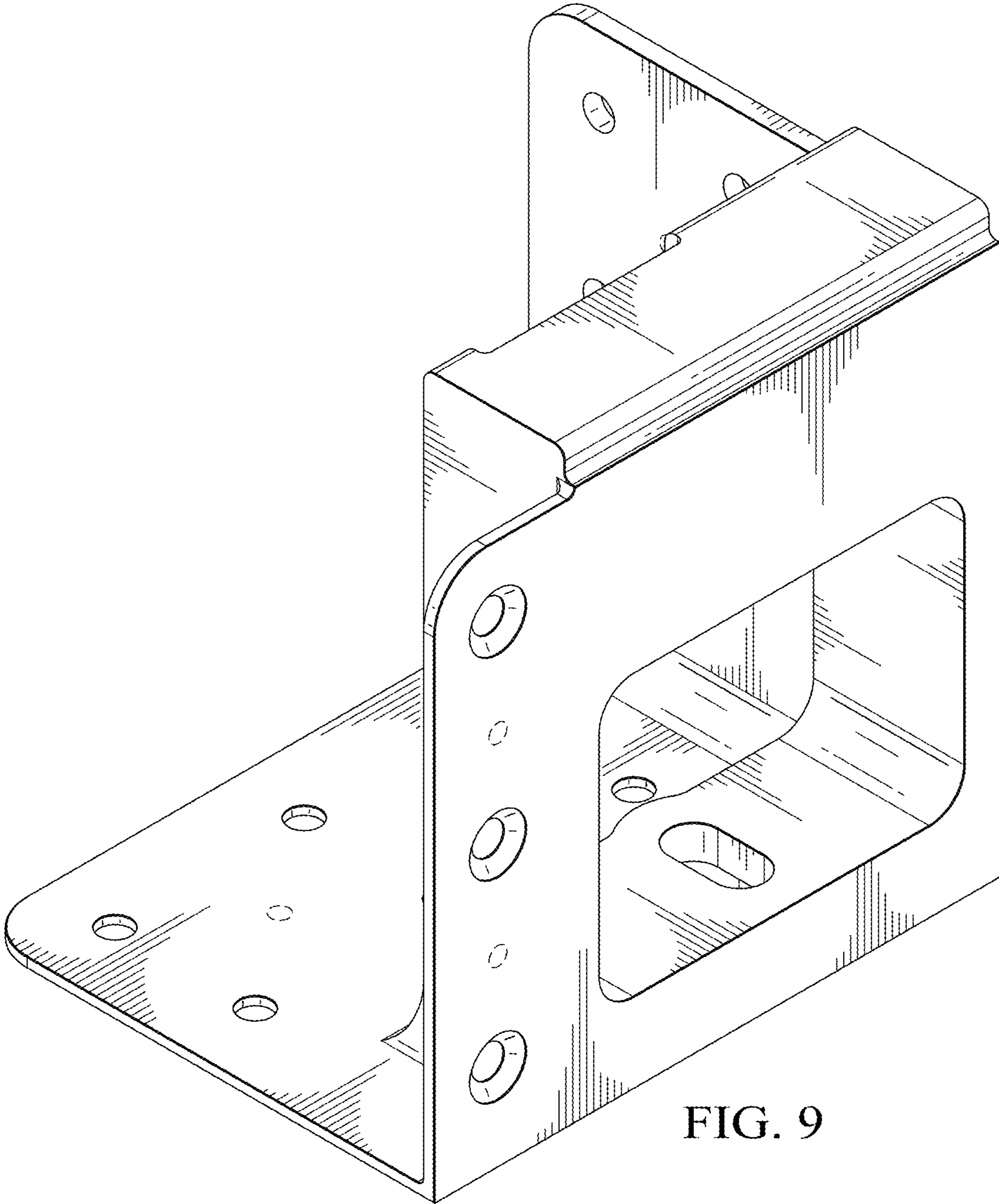


FIG. 9

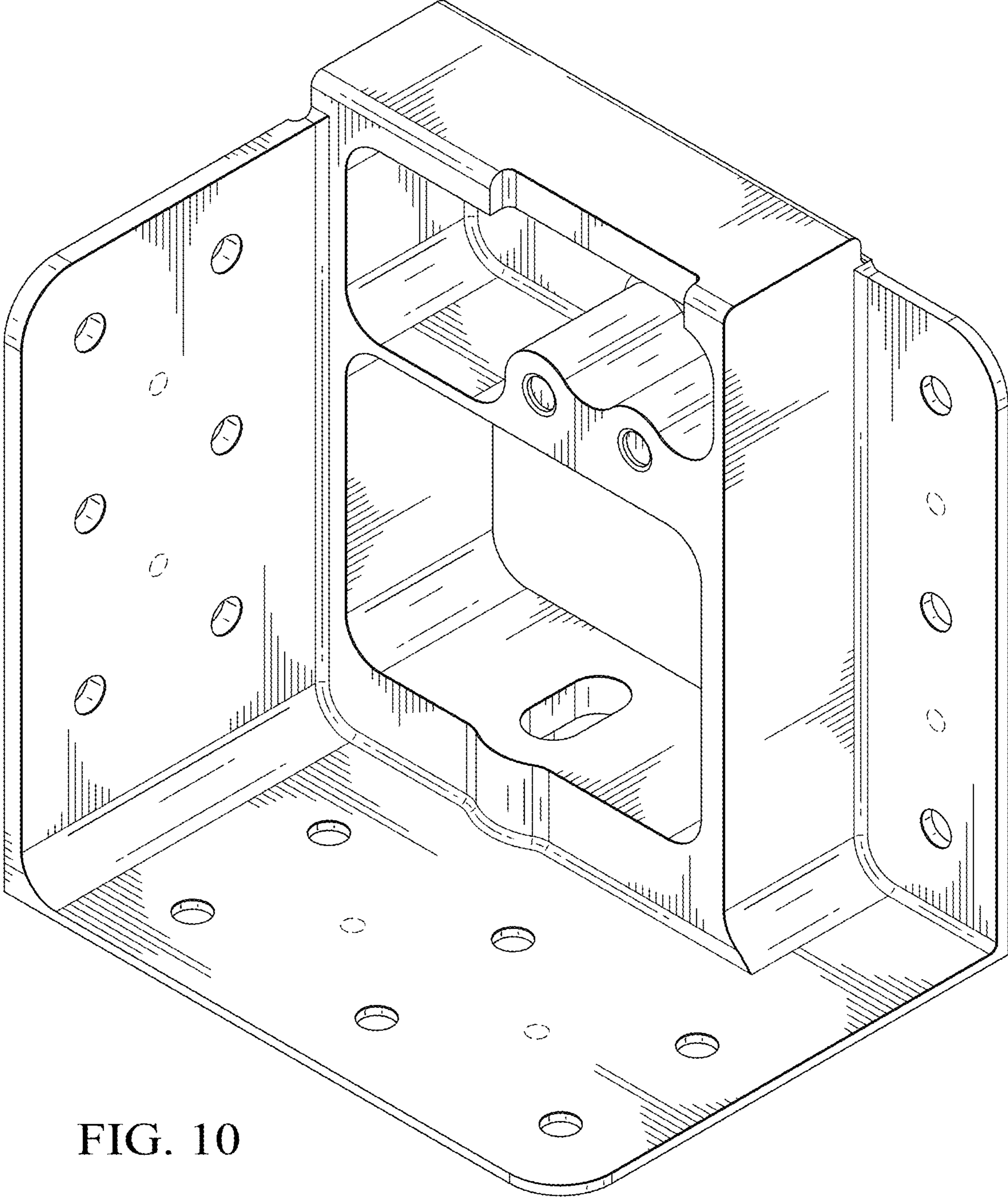


FIG. 10

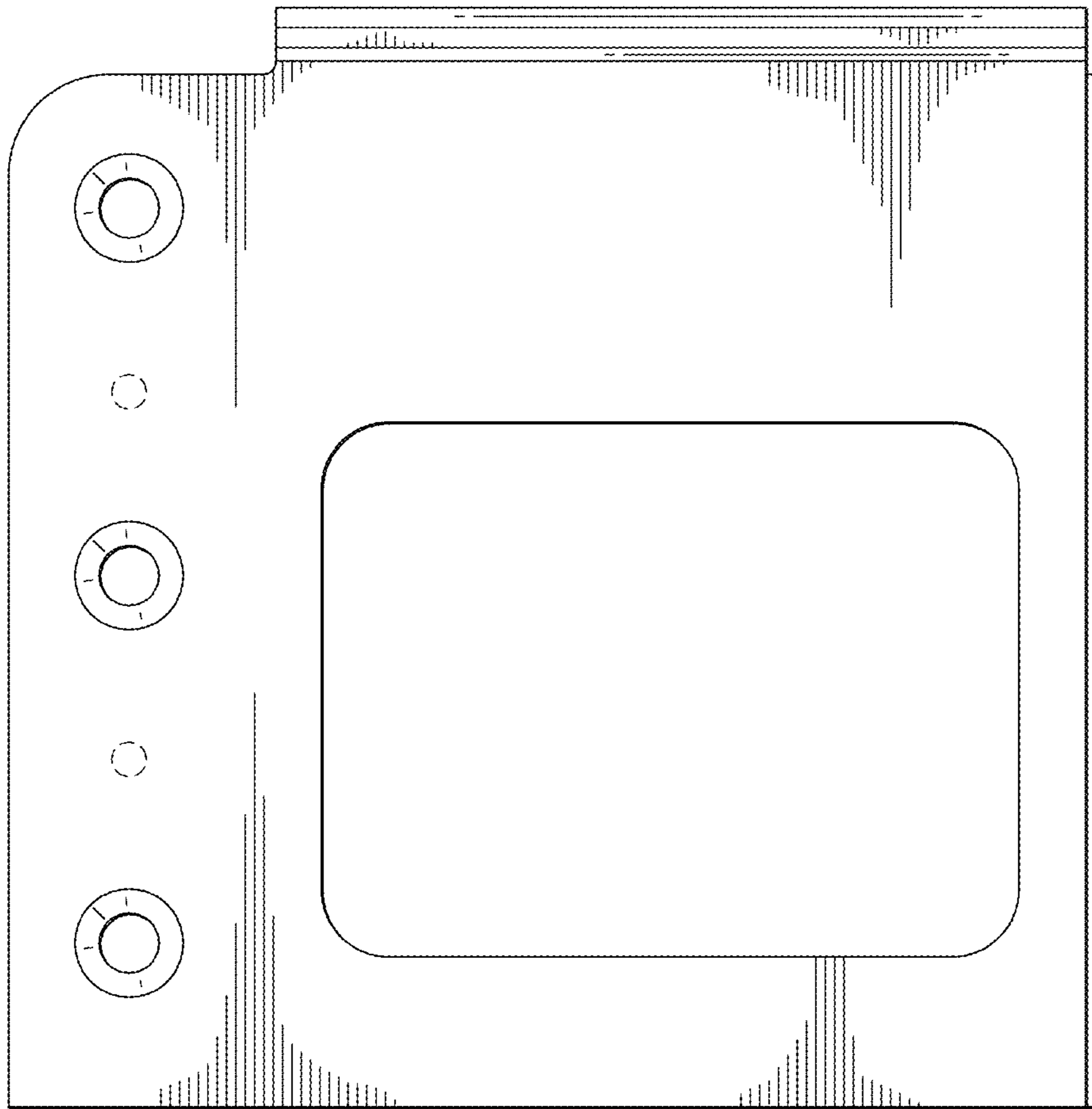


FIG. 11

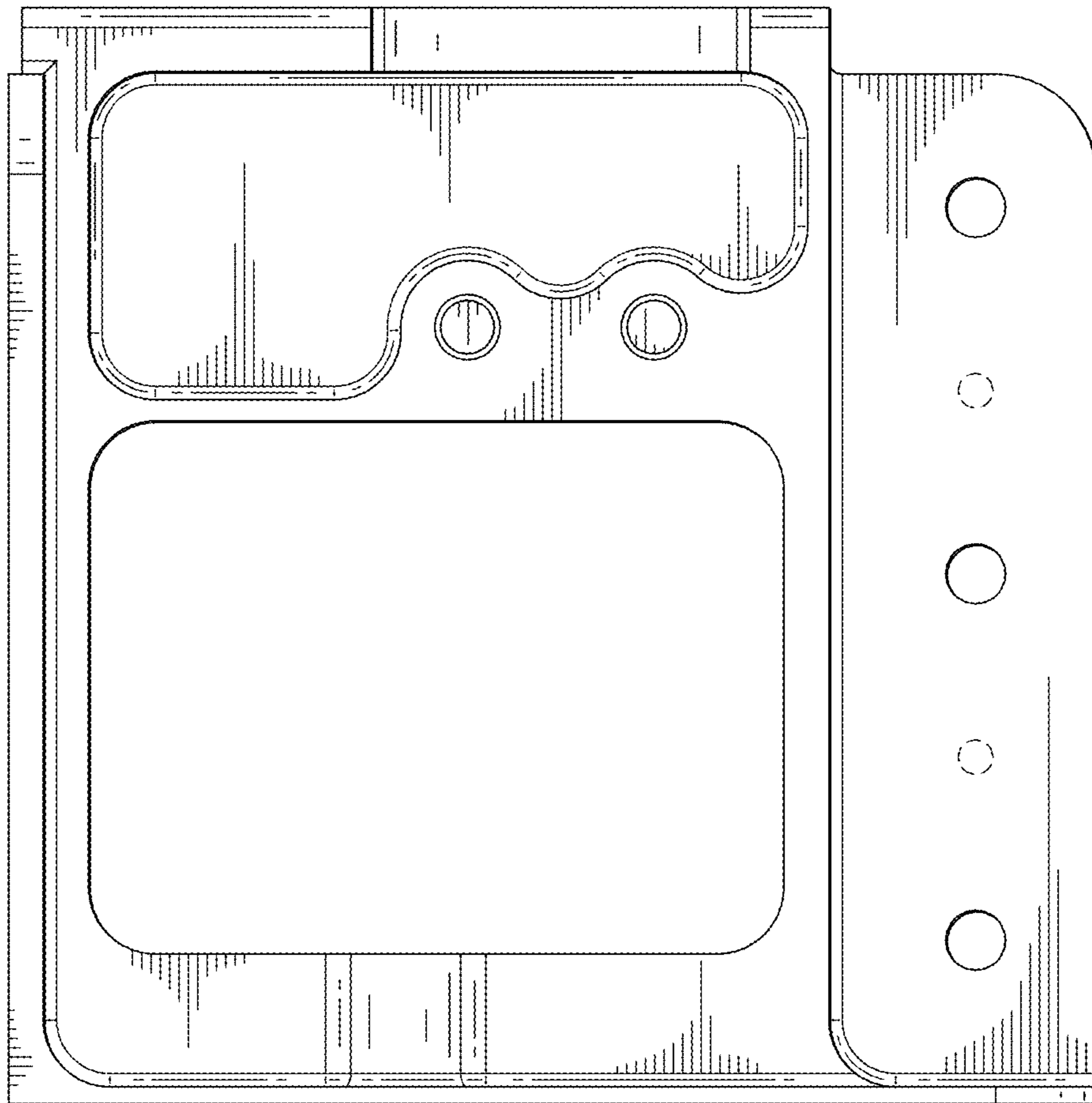


FIG. 12

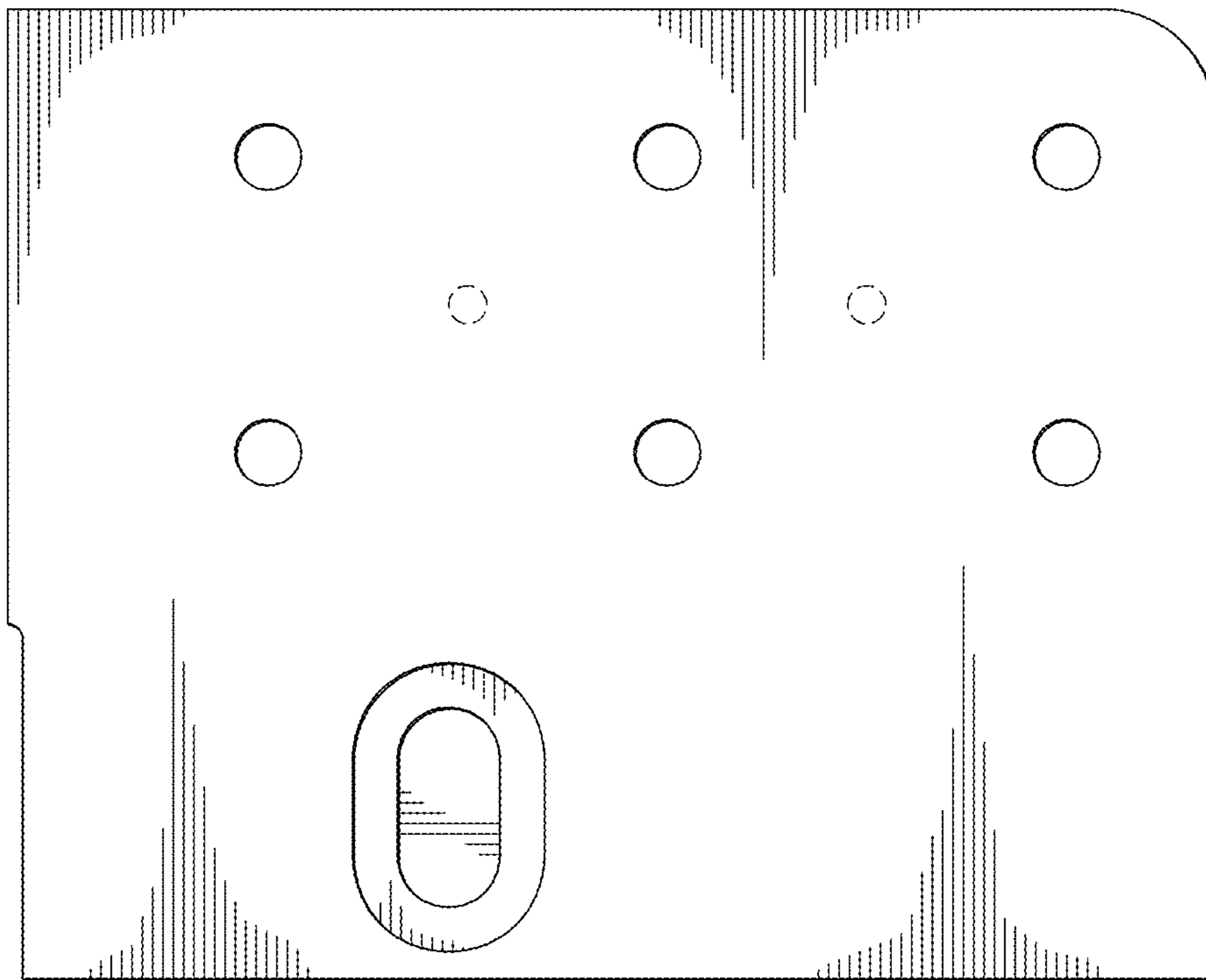


FIG. 13

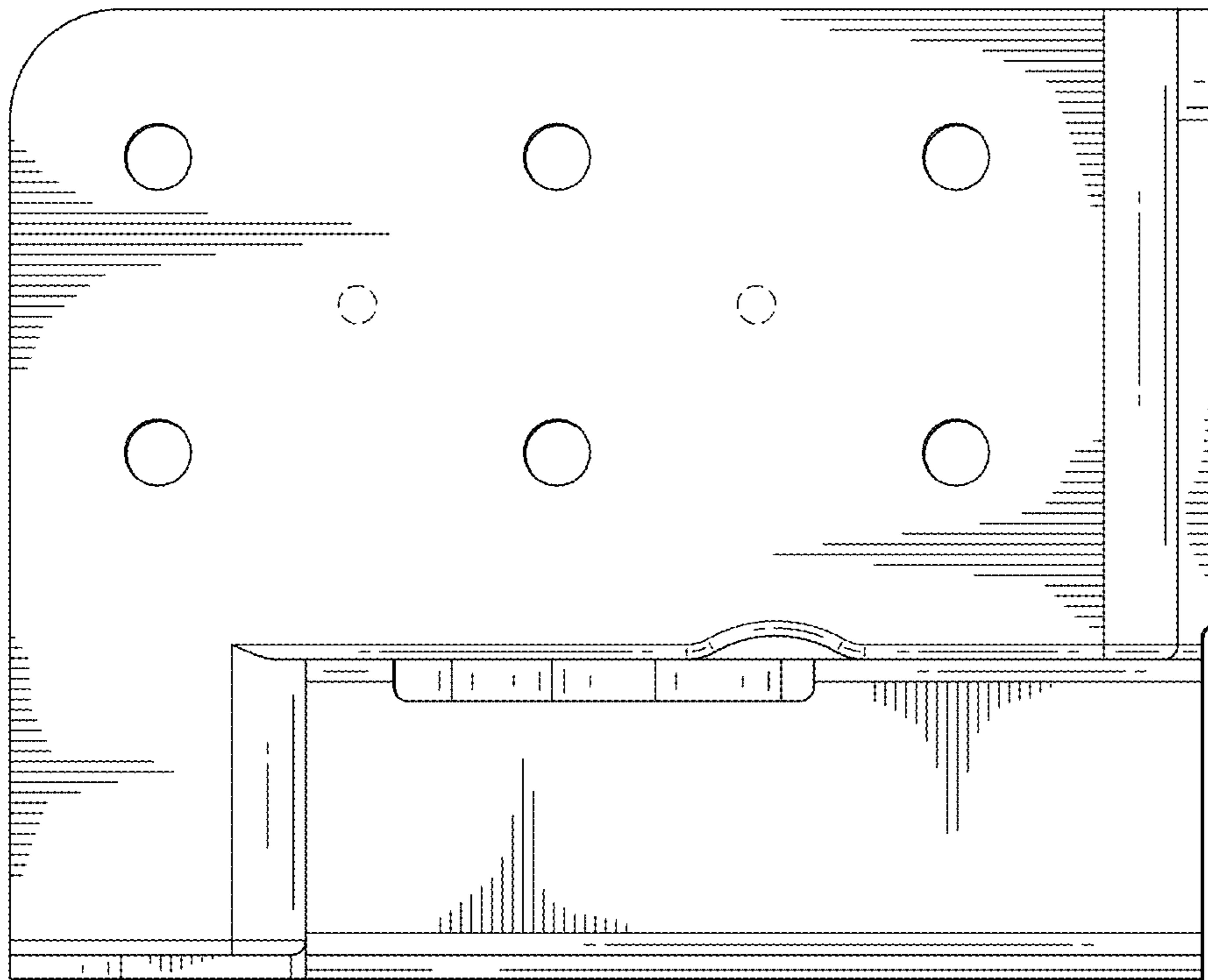


FIG. 14

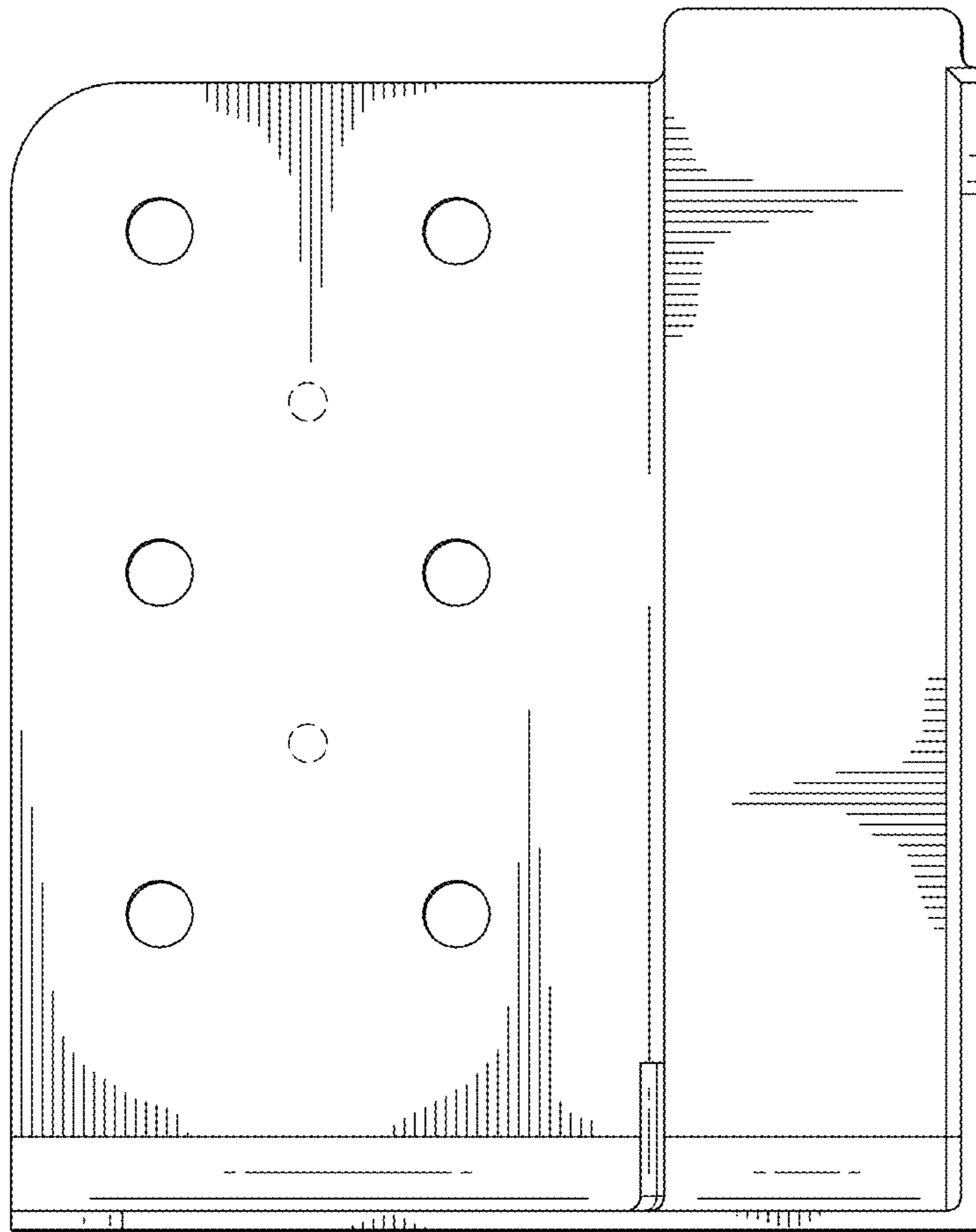


FIG. 15

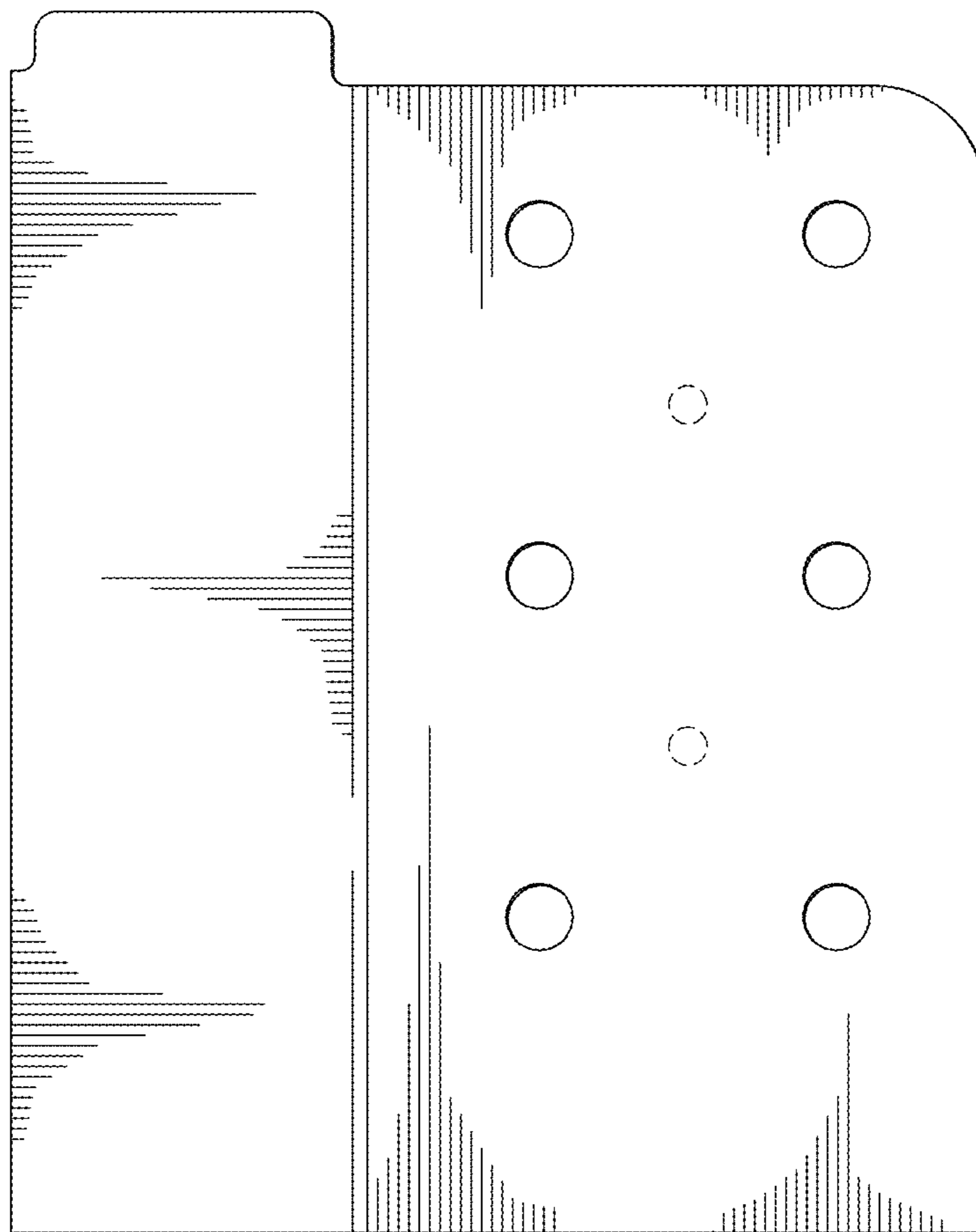


FIG. 16