



US00D944078S

(12) **United States Design Patent** (10) **Patent No.:** **US D944,078 S**  
**Comalander** (45) **Date of Patent:** **\*\* Feb. 22, 2022**

(54) **WEDGE BLOCK FOR A PIPE SUPPORT SYSTEM**

(71) Applicant: **Comalander Fabrication and Services, LLC**, Beaumont, TX (US)

(72) Inventor: **Christopher R. Comalander**, Beaumont, TX (US)

(73) Assignee: **Comalander Fabrication and Services, LLC**, Beaumont, TX (US)

(\*\*) Term: **15 Years**

(21) Appl. No.: **29/688,090**

(22) Filed: **Apr. 18, 2019**

(51) **LOC (13) Cl.** ..... **08-05**

(52) **U.S. Cl.**  
USPC ..... **D8/380**

(58) **Field of Classification Search**  
USPC ..... D32/25, 67; D8/349, 354–355, 382–383, D8/394, 380, 74, 346; D25/59, 61–62, D25/66–67, 126–127, 133–134  
See application file for complete search history.

(56) **References Cited**

**U.S. PATENT DOCUMENTS**

5,002,478	A	*	3/1991	Lupke	.....	B29C 49/0021
						425/325
D447,815	S	*	9/2001	O'Brien	.....	D25/56
D452,328	S	*	12/2001	O'Brien	.....	D25/56
7,090,173	B2		8/2006	Lussier		
D589,337	S	*	3/2009	Karlsson	.....	D8/394
D600,829	S	*	9/2009	Munakata	.....	D25/126
D600,831	S	*	9/2009	Munakata	.....	D25/126
D634,445	S	*	3/2011	Mason	.....	D25/56
D676,576	S	*	2/2013	Oetlinger	.....	D25/121
8,807,492	B2		8/2014	Lake		
D715,339	S	*	10/2014	Oetlinger	.....	D15/138
D751,884	S	*	3/2016	Morris	.....	D8/349
D755,043	S	*	5/2016	Bailey	.....	D8/394

D758,834	S	*	6/2016	Tally	.....	D8/380
D761,096	S	*	7/2016	Pace	.....	D8/382
D761,641	S	*	7/2016	Pace	.....	D8/382
D763,067	S	*	8/2016	Monsees	.....	D8/382
D768,843	S	*	10/2016	Honeyball	.....	D23/386
D779,309	S	*	2/2017	Morris	.....	D8/349

(Continued)

**OTHER PUBLICATIONS**

AL Shim for 2.5, Date Visited: Apr. 9, 2021, rukse, Date Available: Apr. 9, 2021, <https://www.rukse.com/shop-full-width/jop-parts/xj/jop-rk3102/> (Year: 2021).\*

(Continued)

*Primary Examiner* — Janice Hallmark

*Assistant Examiner* — Elizabeth S Ko

(74) *Attorney, Agent, or Firm* — Peter L. Brewer; Thrive IP

(57) **CLAIM**

The ornamental design for a wedge block for a pipe support system, as shown and described.

**DESCRIPTION**

FIG. 1 is a perspective view of a wedge block for a pipe support system, showing my new design.

FIG. 2 is a second perspective view of the wedge block for a pipe support system of FIG. 1.

FIG. 3 is a front plan view thereof.

FIG. 4 is a rear plan view thereof.

FIG. 5 is a right side elevation view thereof.

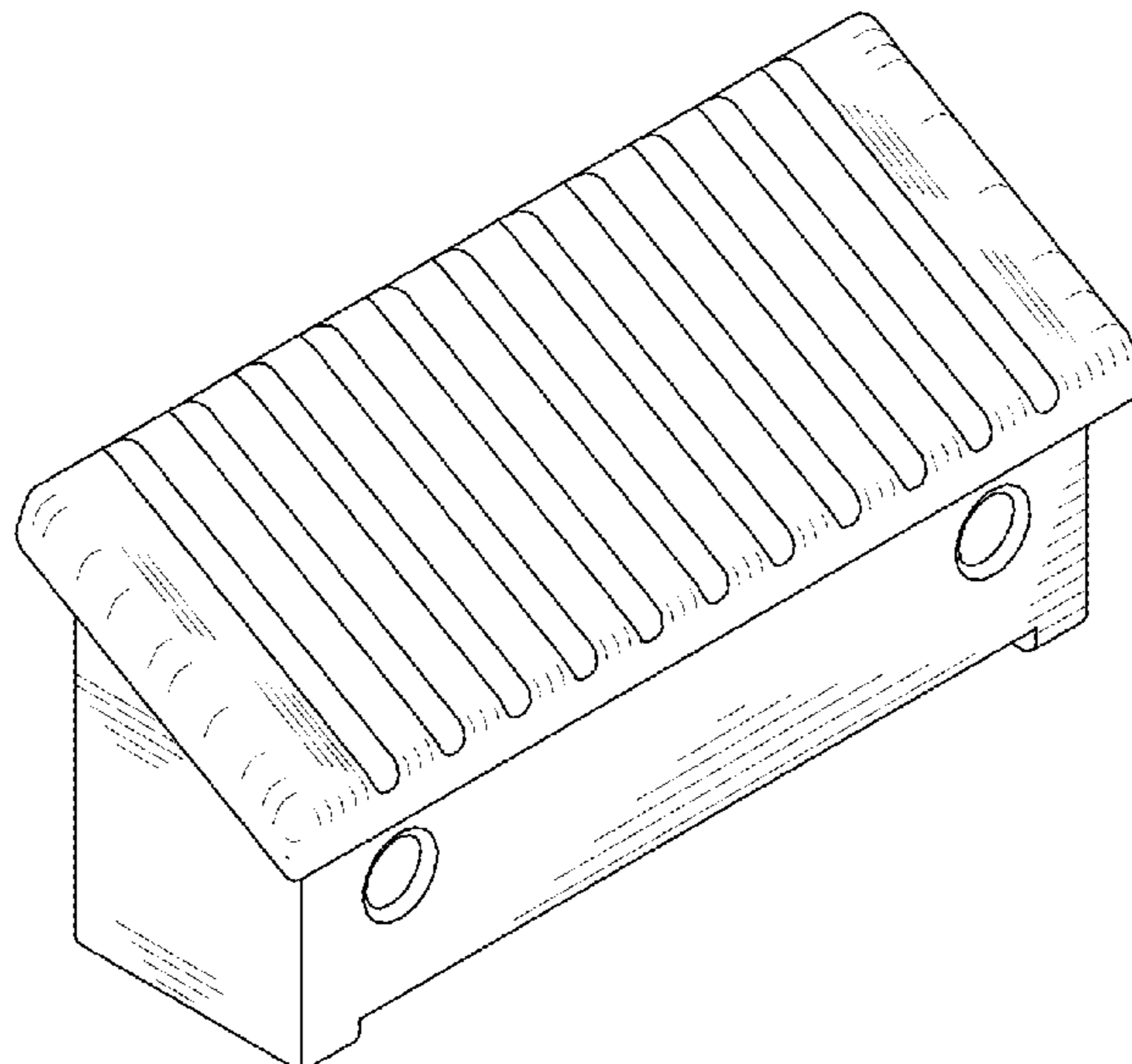
FIG. 6 is a left side elevation view thereof.

FIG. 7 is a top plan view thereof; and,

FIG. 8 is a bottom plan view thereof.

The broken lines in the drawings depict portions of the wedge block for a pipe support system that form no part of the claimed design.

**1 Claim, 4 Drawing Sheets**



(56)

**References Cited**

U.S. PATENT DOCUMENTS

D782,708	S *	3/2017	Key	.....	D25/133
D810,008	S *	2/2018	Mollison	.....	D13/102
D810,010	S *	2/2018	Rook	.....	D13/102
D824,749	S *	8/2018	Wright	.....	D8/354
D826,694	S *	8/2018	Templeman	.....	D8/354
10,221,968	B2	3/2019	Haynes et al.		
10,274,111	B2	4/2019	Breda		
D882,118	S *	4/2020	Noe	.....	D25/56
D883,774	S *	5/2020	Comalander	.....	D8/380
D915,186	S *	4/2021	Barker	.....	D8/382
2018/0277285	A1	9/2018	Stilwell et al.		
2020/0018424	A1 *	1/2020	Comalander	.....	F16L 3/20
2021/0010616	A1 *	1/2021	Comalander	.....	B23K 37/0426
2021/0071784	A1 *	3/2021	Dodge	.....	F16L 3/13

OTHER PUBLICATIONS

Candy Color Blue and Pink Silicone Washboard, Date Visited: Apr. 9, 2021, rukse, Date Available: Dec. 2, 2016, <https://www.amazon.com>.

[co.uk/AKOAK-Silicone-Washboard-Creative-Handheld/dp/B01N9CY36Y](https://www.amazon.com/dp/B01N9CY36Y) (Year: 2016).\*

Pipe-hanger-and-supports-catalog, Date Visited: Apr. 9, 2021, Eaton, Date Available: 2019, Pipe hangers & supports B-line series Catalog, p. 17 (Year: 2019).\*

Screen Shot of Grainger Pipe Support Block; Accessed Mar. 2019; [https://www.grainger.com/product/15E509?cm\\_sp=Product\\_Details--Products\\_Based\\_on\\_Your\\_Search--IDPPLARECS&cm\\_vc=IDPPLARECS](https://www.grainger.com/product/15E509?cm_sp=Product_Details--Products_Based_on_Your_Search--IDPPLARECS&cm_vc=IDPPLARECS).

Screen Shot of Anco Group Pipe Cradle; Accessed Mar. 2019; <https://zipleaf.auz.net/Companies/Anchorage-Group-Pipe-Supports/Article-Piping-Cradles>.

Screen Shot of EZ Line Pipe Clamp Shim Block Assy; Accessed Mar. 2019; <http://www.ezline.com/ezline-pipe-clamps-and-shim-block-assemblies/>.

Screen Shot of Precision Weld and Fabrication Shim Blocks; Accessed Mar. 2019; <http://weweld.com/pipe-clamps/>.

Screen Shot of PPSC Shim Block with Strap; Accessed Mar. 2019; <https://www.pipelinepsc.com/gsh-shim-block-with-strap>.

\* cited by examiner

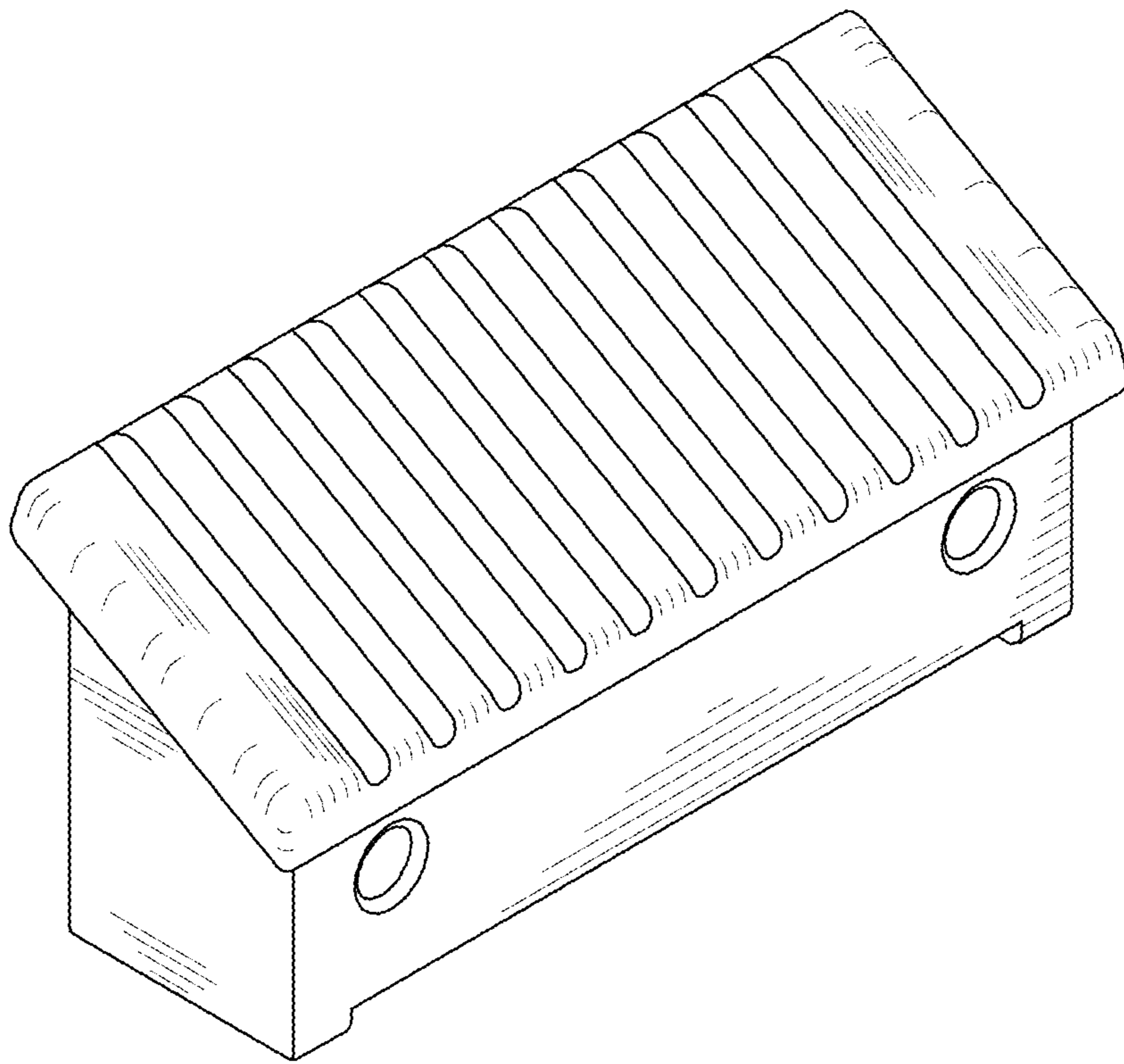


FIG. 1

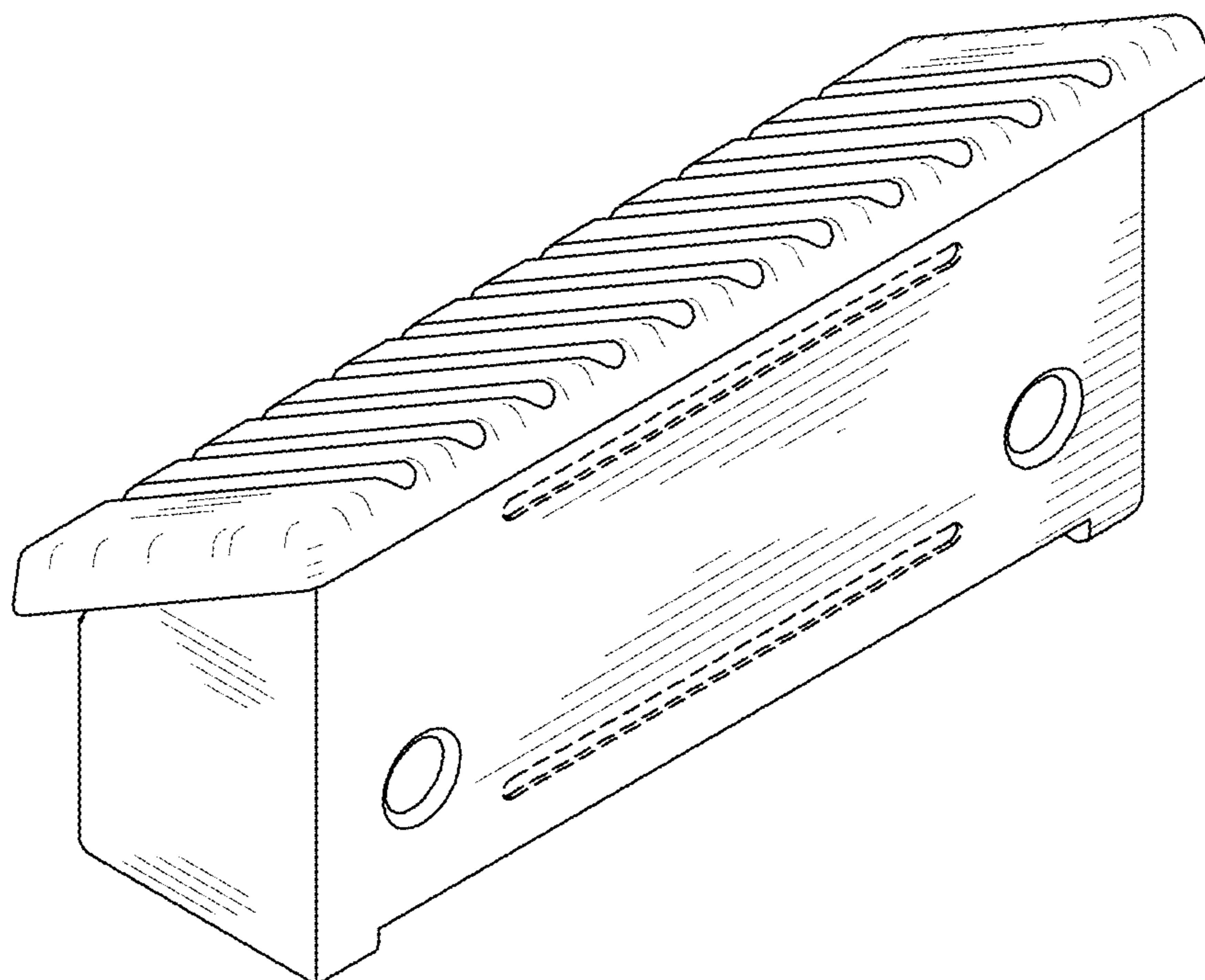


FIG. 2

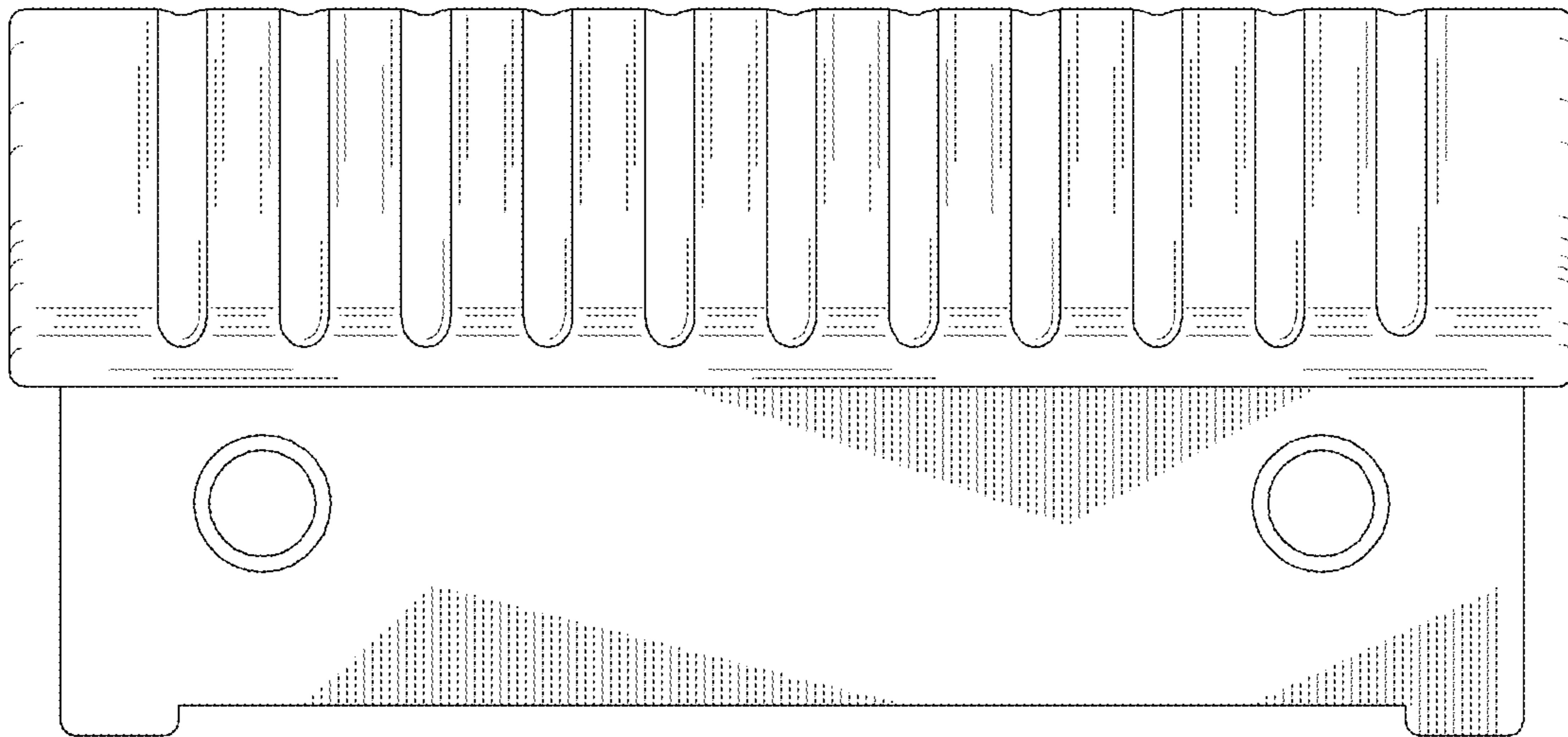


FIG. 3

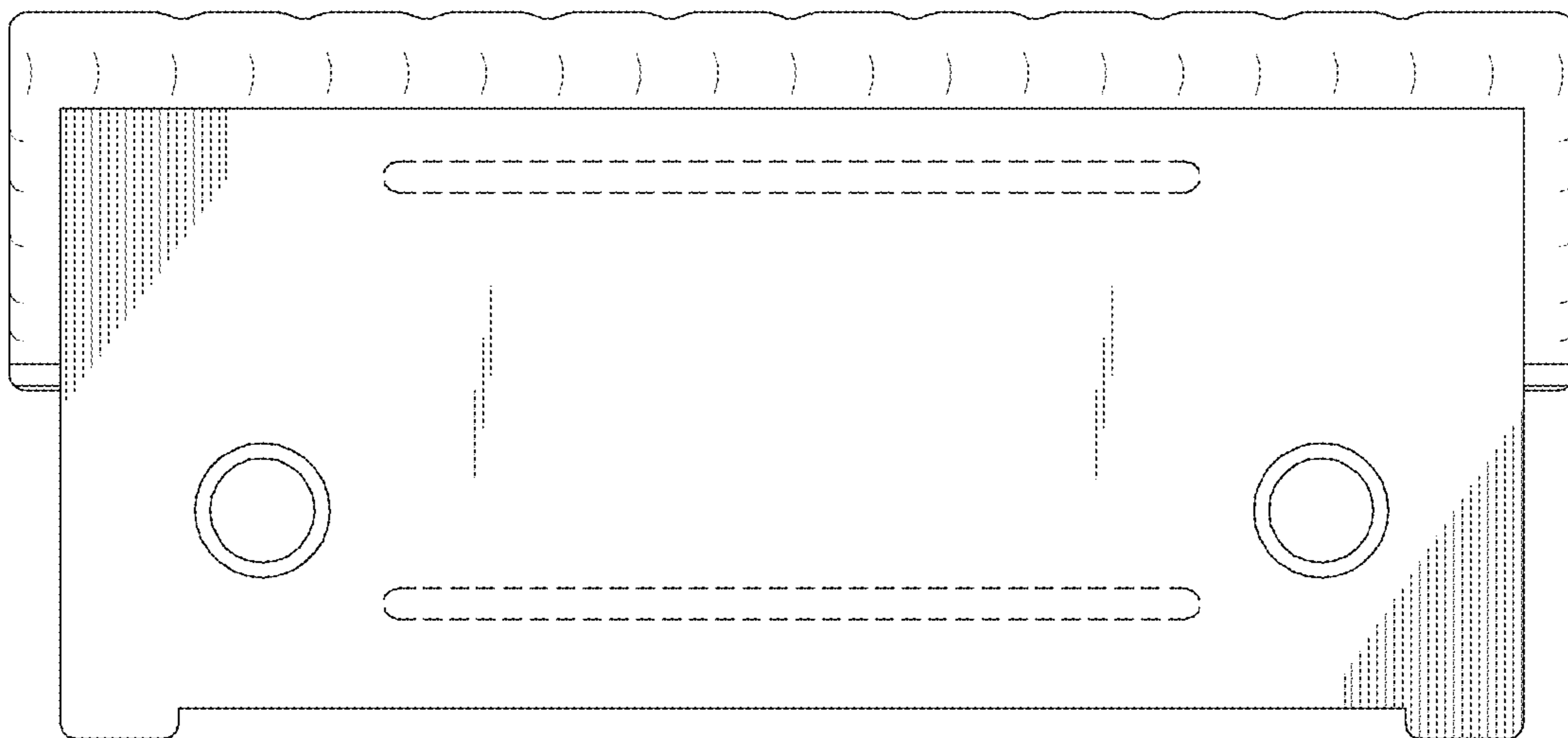


FIG. 4

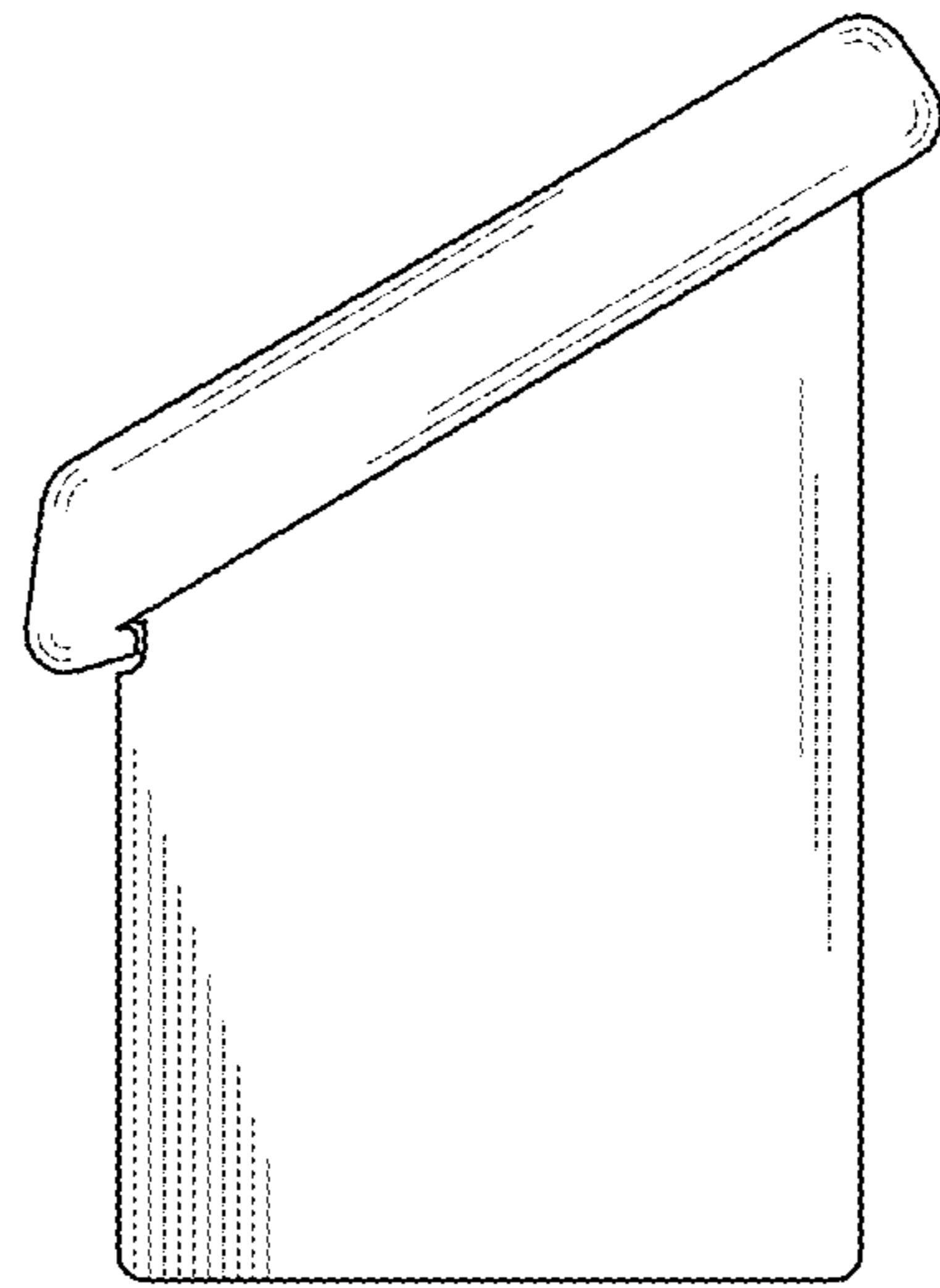


FIG. 5

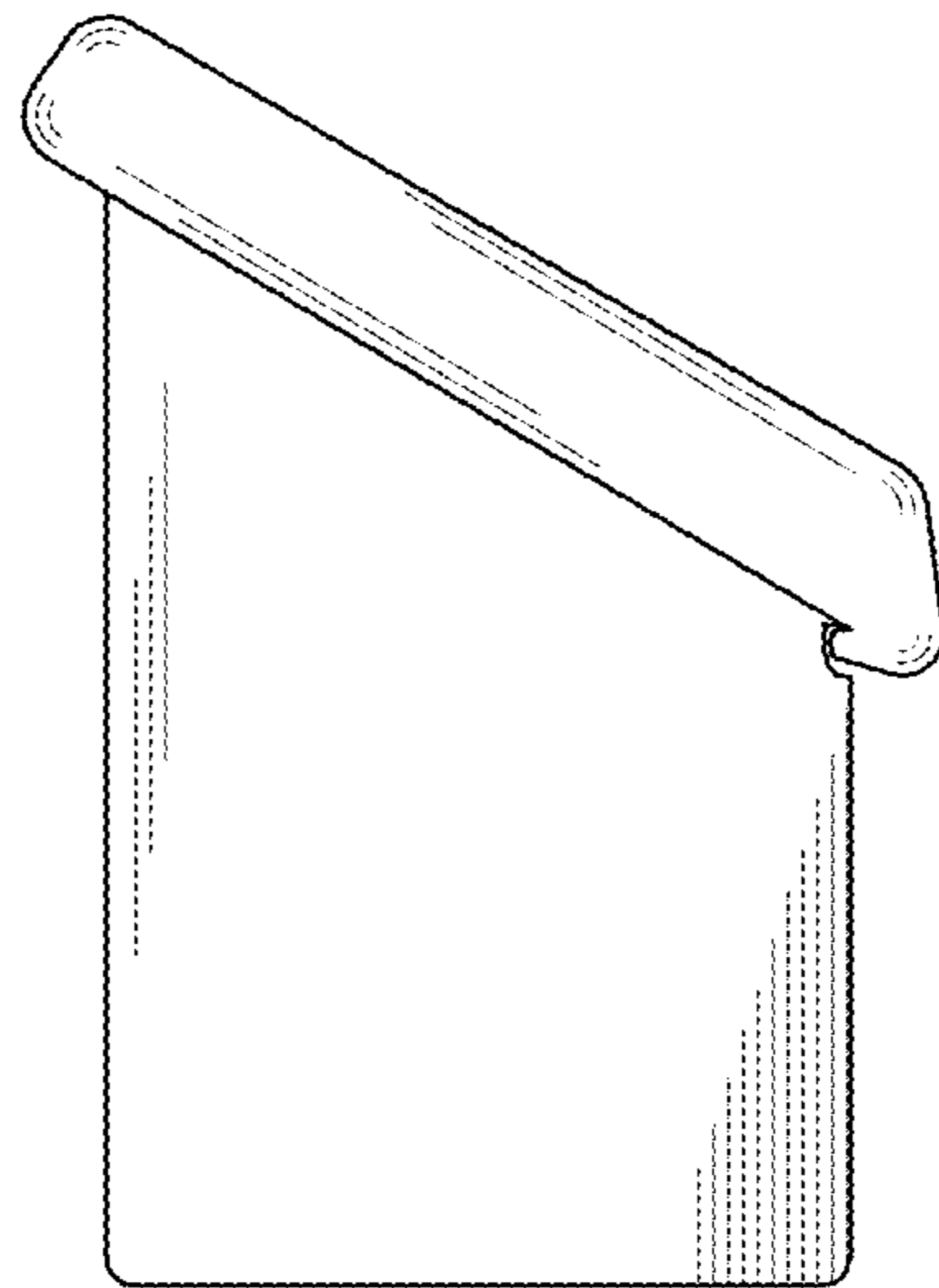


FIG. 6

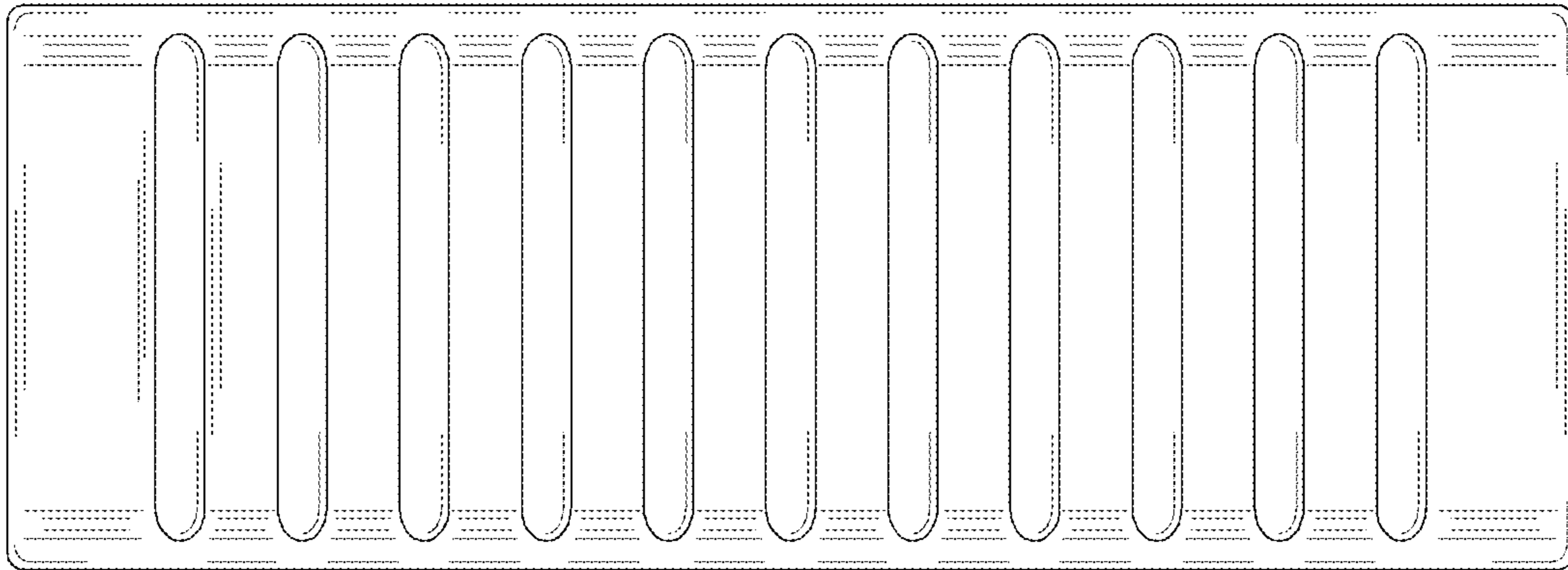


FIG. 7

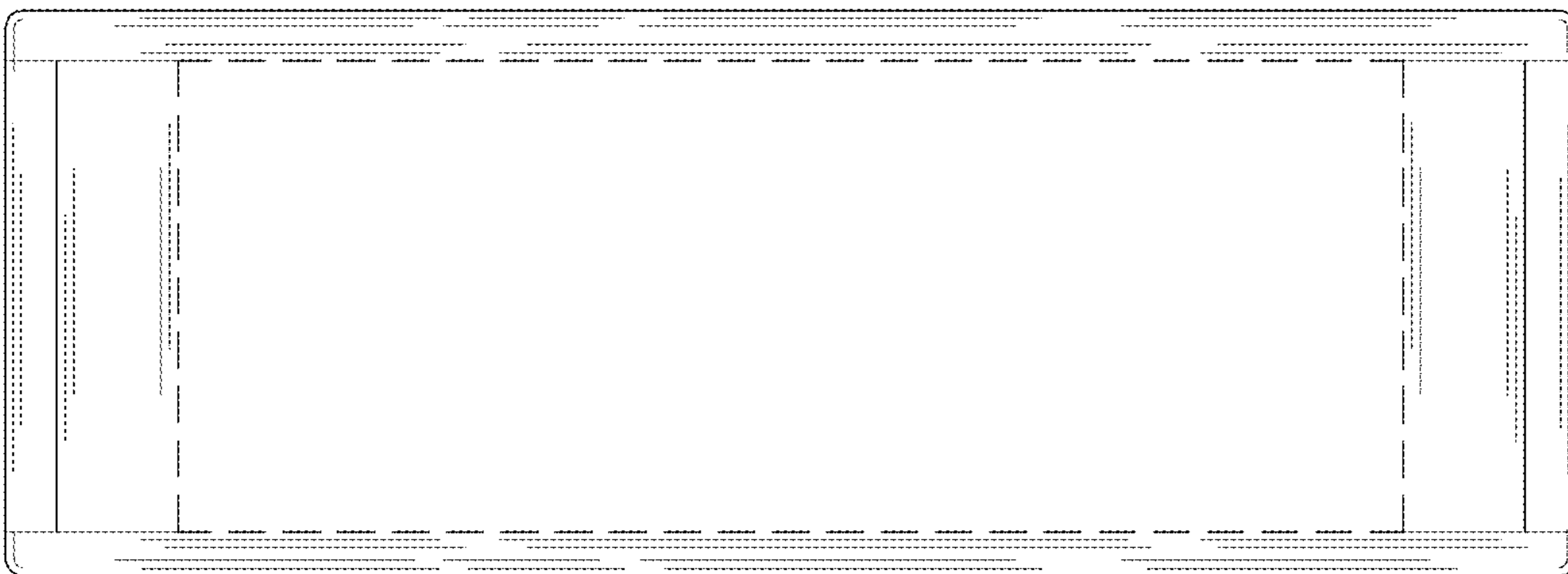


FIG. 8