



US00D944077S

(12) **United States Design Patent** (10) **Patent No.:** **US D944,077 S**
Quatraro et al. (45) **Date of Patent:** **** Feb. 22, 2022**

(54) **CURTAIN ROD**

D358,982 S * 6/1995 Bosgoed D25/122
D368,851 S * 4/1996 Cole D8/376
D419,858 S * 2/2000 Bosgoed D25/121

(71) Applicant: **Unique Fine Fabrics Import Inc.,**
Woodbridge (CA)

(Continued)

(72) Inventors: **Ralph Quatraro, Woodbridge (CA);**
Paul Mazzotta, Woodbridge (CA)

OTHER PUBLICATIONS

(73) Assignee: **Unique Fine Fabrics Import Inc.,**
Woodbridge (CA)

“Tekno Wave Drape”, May 19, 2010, YouTube.com, site visited
Sep. 27, 2021: <https://www.youtube.com/watch?v=i4uT6b16luc> (Year:
2010).*

(Continued)

(**) Term: **15 Years**

Primary Examiner — Jack Reickel

(21) Appl. No.: **29/720,201**

Assistant Examiner — Michael A Kervin

(22) Filed: **Jan. 10, 2020**

(74) *Attorney, Agent, or Firm* — Santosh K. Chari; CPST
Intellectual Property Inc.

(30) **Foreign Application Priority Data**

(57) **CLAIM**

Jul. 10, 2019 (CA) CA 188569

The ornamental design for a curtain rod, as shown and
described.

(51) **LOC (13) Cl.** **08-05**

DESCRIPTION

(52) **U.S. Cl.**

USPC **D8/376; D8/377; D25/119**

(58) **Field of Classification Search**

USPC D8/376–377; D6/580; D25/119

CPC A47K 3/38; A47B 47/022; A47B 55/02;

A47B 96/06; A47B 96/028; A47H 1/00;

A47H 1/02; A47H 1/04; A47H 2/00;

A47H 2001/0215; A47H 2001/047; A47H

1/104; A47H 1/102; A47H 1/10; E06B

9/322

See application file for complete search history.

FIG. 1 is a perspective view of the curtain rod according to
a first embodiment.

FIG. 2 is a front view of the design of FIG. 1.

FIG. 3 is a rear view of the design of FIG. 1.

FIG. 4 is a right-side view of the design of FIG. 1.

FIG. 5 is a left-side view of the design of FIG. 1.

FIG. 6 is a top view of the design of FIG. 1.

FIG. 7 is a bottom view of the design of FIG. 1.

FIG. 8 is a perspective view of the curtain rod according to
a second embodiment.

FIG. 9 is a front view of the design of FIG. 8.

FIG. 10 is a rear view of the design of FIG. 8.

FIG. 11 is a right-side view of the design of FIG. 8.

FIG. 12 is a left-side view of the design of FIG. 8.

FIG. 13 is a top view of the design of FIG. 8; and,

FIG. 14 is a bottom view of the design of FIG. 8.

The portions of the figures shown in broken lines illustrate
features that do not form part of the claimed design.

(56) **References Cited**

U.S. PATENT DOCUMENTS

D245,756 S * 9/1977 McKee D8/376

D251,451 S * 3/1979 Toder D25/121

D252,793 S * 9/1979 Toder D25/119

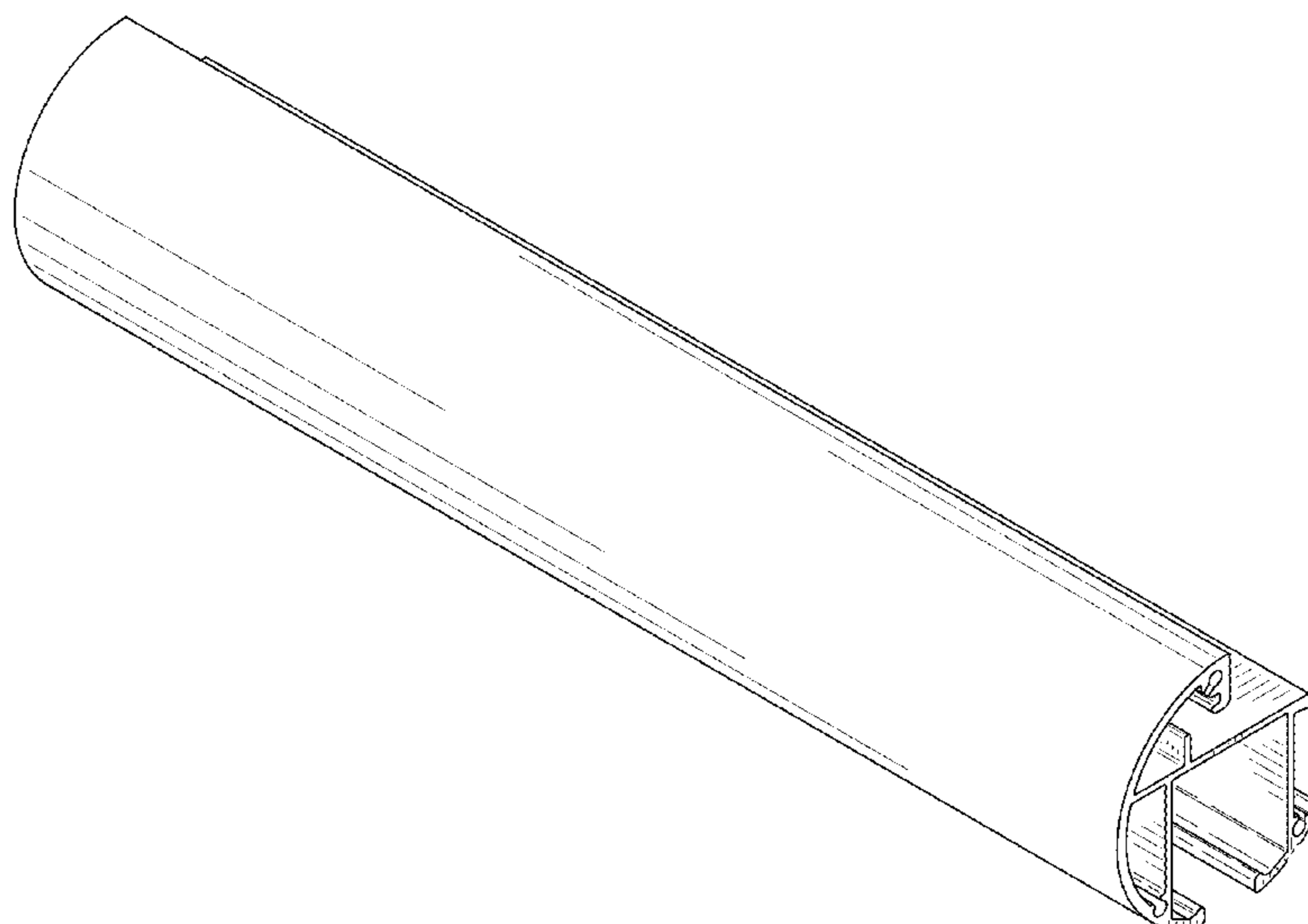
D257,503 S * 11/1980 McKee D25/122

D257,666 S * 12/1980 McKee D25/122

D337,257 S * 7/1993 Danieli D25/122

D345,498 S * 3/1994 Fraser D25/119

1 Claim, 8 Drawing Sheets



(56)

References Cited

U.S. PATENT DOCUMENTS

D433,459	S	*	11/2000	Balchin	D20/44
D450,234	S	*	11/2001	Bosgoed	D8/377
D459,981	S	*	7/2002	Betts	D25/119
D558,569	S	*	1/2008	Hanley	A47K 3/34 D8/400
D569,715	S	*	5/2008	Fernandez	D8/377
D592,944	S	*	5/2009	Kollman	D8/376
D604,151	S	*	11/2009	Kollman	D8/376
D639,098	S	*	6/2011	Bosgoed	D6/580
D715,629	S	*	10/2014	Grubb	D8/377
D752,422	S	*	3/2016	Veilleux	D8/377
D755,041	S	*	5/2016	Weldon	D8/377
D771,477	S	*	11/2016	Anderson	D8/377
D811,204	S	*	2/2018	Weldon	D8/377
D853,827	S	*	7/2019	Lang	D8/377
D920,769	S	*	6/2021	Kovacs	D8/377

OTHER PUBLICATIONS

“Trax Drapery Hardware”, Sep. 28, 2016, YouTube.com, site visited Sep. 27, 2021: <https://www.youtube.com/watch?v=oKmH80hA6Zc> (Year: 2016).*

“Kirsch 2019 Digital Price Guide”, Jan. 19, 2017, Amazon.com, site visited Sep. 27, 2021: <https://www.amazon.com/Rod-Decor-Alloy-Cordless-Traverse/dp/B00VKUW5QQ> (Year: 2017).*

“Kirsch 2019 Digital Price Guide”, Apr. 1, 2019, mylltd.com via ConstantContact.com, site visited Sep. 27, 2021: mylltd.com/pdf/drapery_hardware/Kirsch_2019_Digital_Price_Guide.pdf via myemail.constantcontact.com/Kirsch-2019-New-Products.html?soid=1110081848173&aid=JxeP1sUjPOU (Year: 2019).*

Product page entitled “12' Traverse Aluminum Pole for 1¼" Curtain Pole Diameter~Each”. The Curtain Rod Shop. [retrieved on Jul. 2, 2020]. Retrieved from the Internet: <URL: www.thecurtainrodshop.com/drapery-hardware/curtain-rods/traverse-rods/12-traverse-aluminum-pole-for-1-1-4-curtain-pole-diameter-each>.

DS Design System. Product Brochure [online]. Forest Group, 2016 [retrieved on Jun. 10, 2020]. Retrieved from the Internet: <URL: www.forestgroup.com/user_files/download_files/download_44_DS_BrochureGB.pdf>.

* cited by examiner

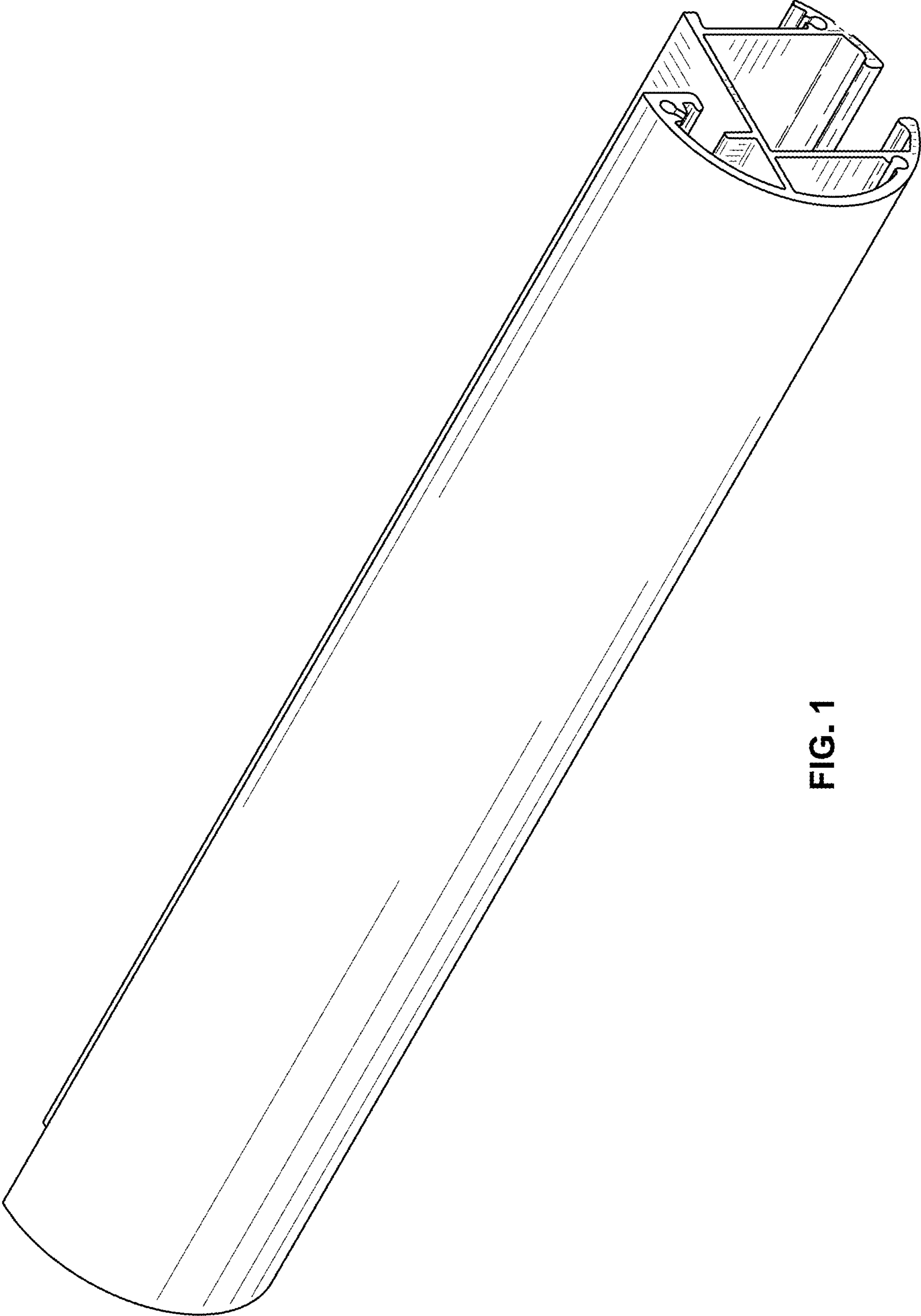


FIG. 1

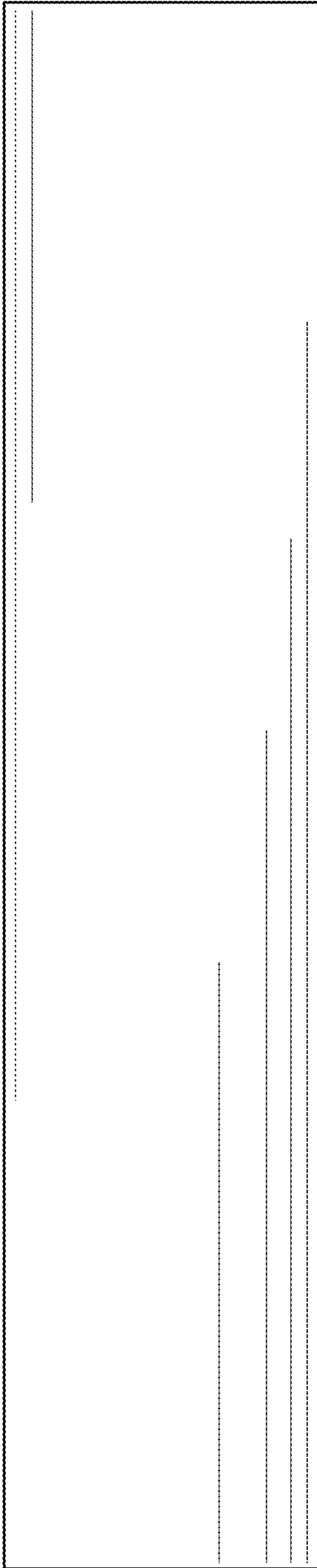


FIG. 2

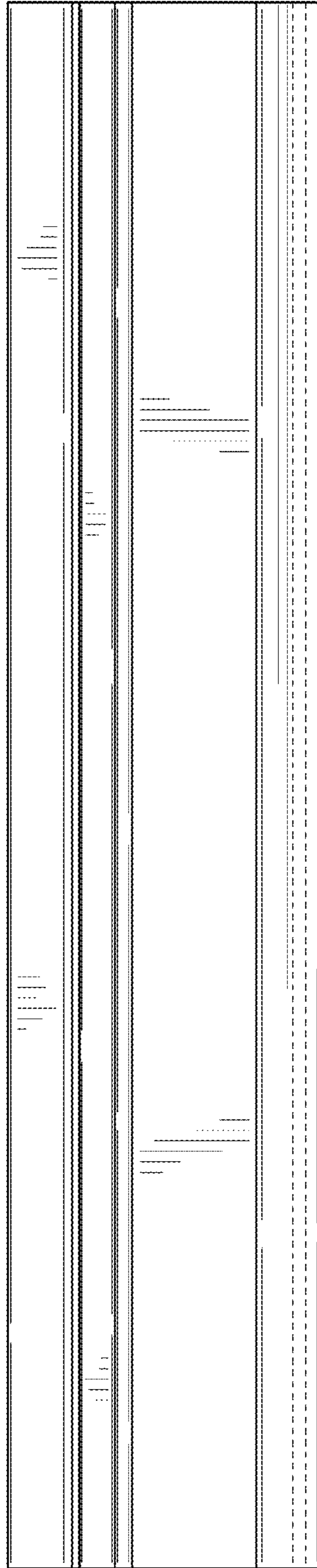


FIG. 3

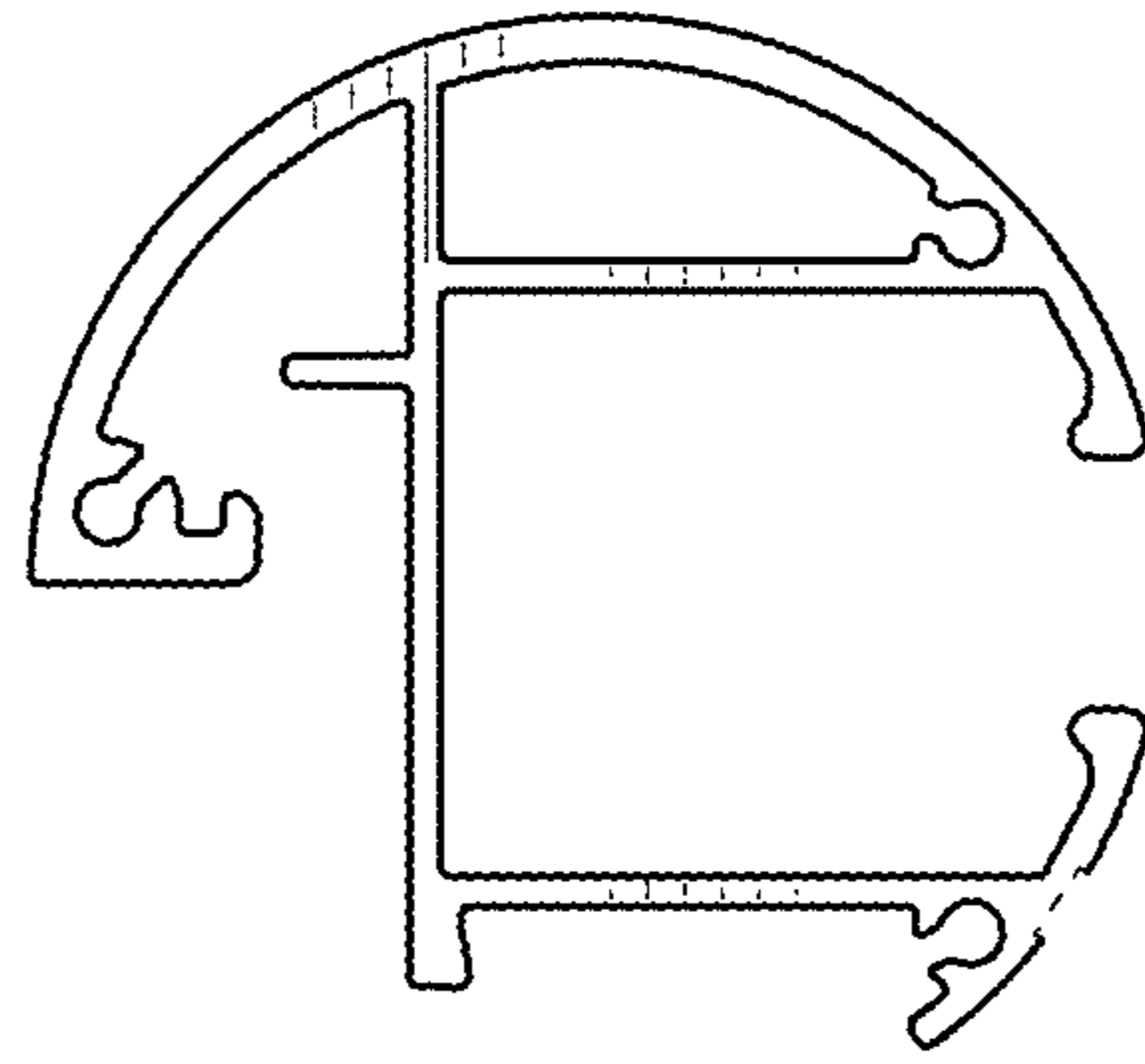


FIG. 5

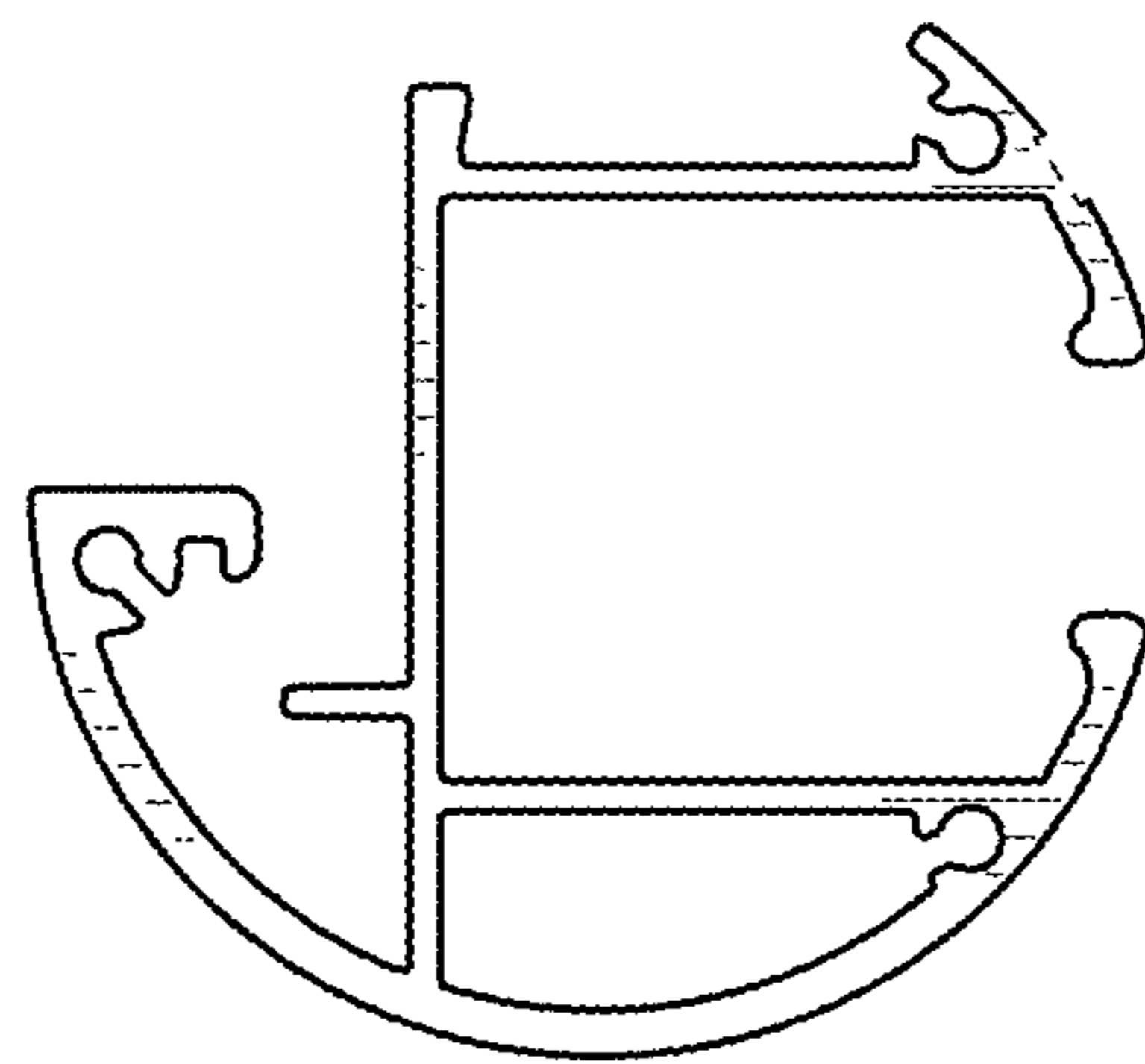


FIG. 4

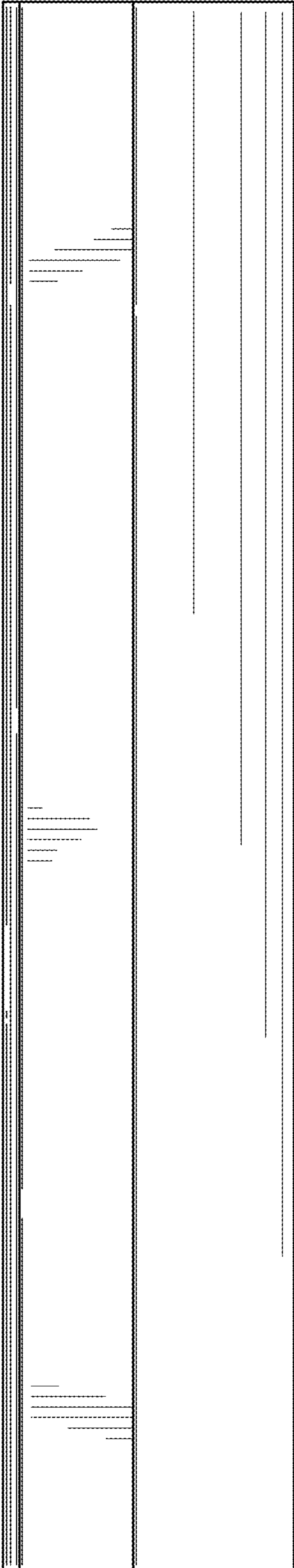


FIG. 6

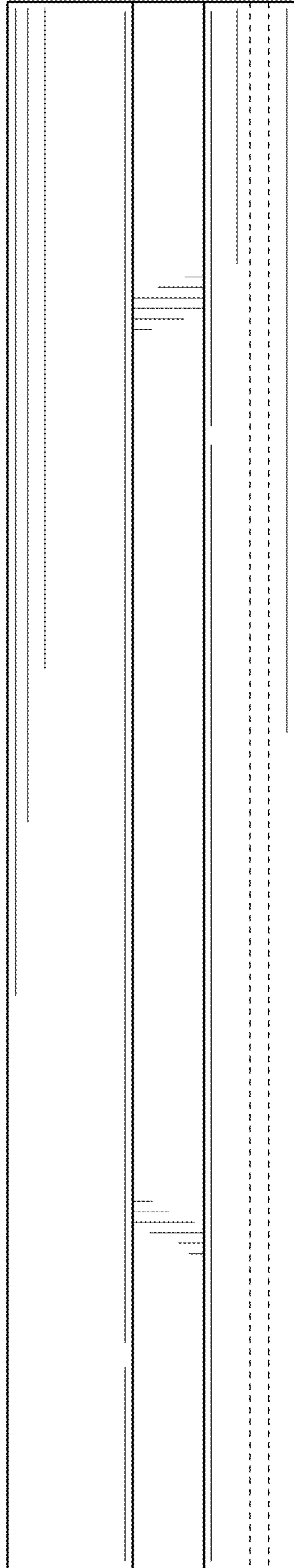


FIG. 7

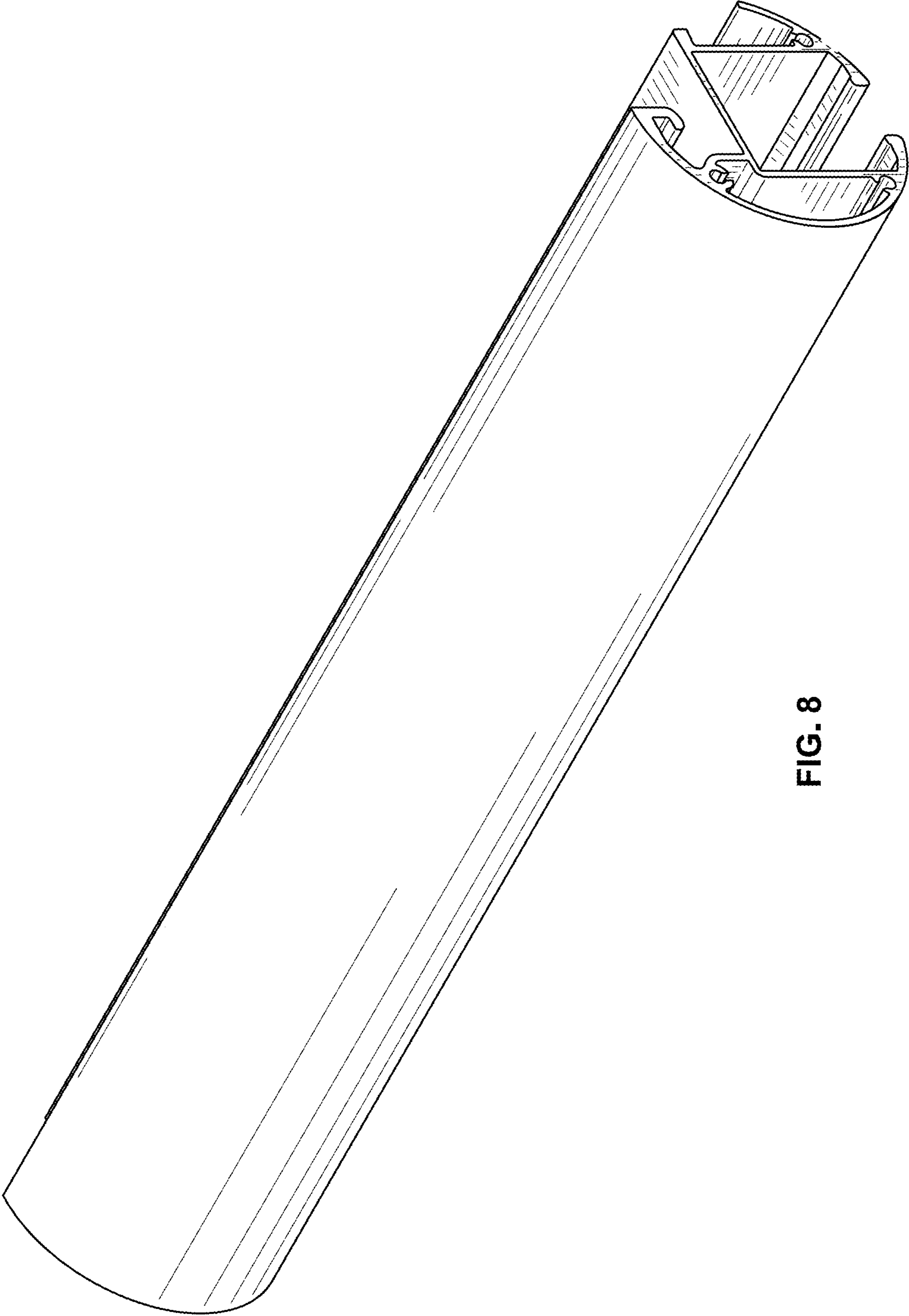


FIG. 8

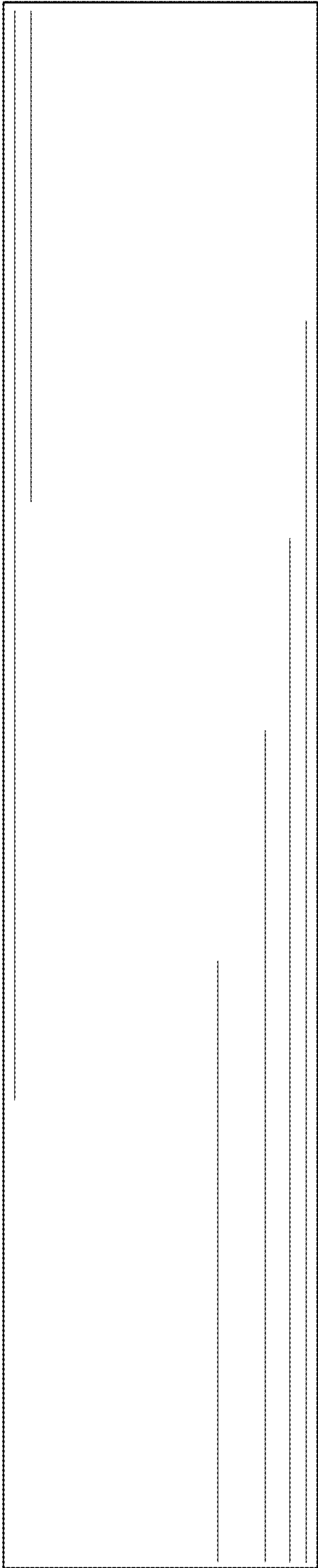


FIG. 9

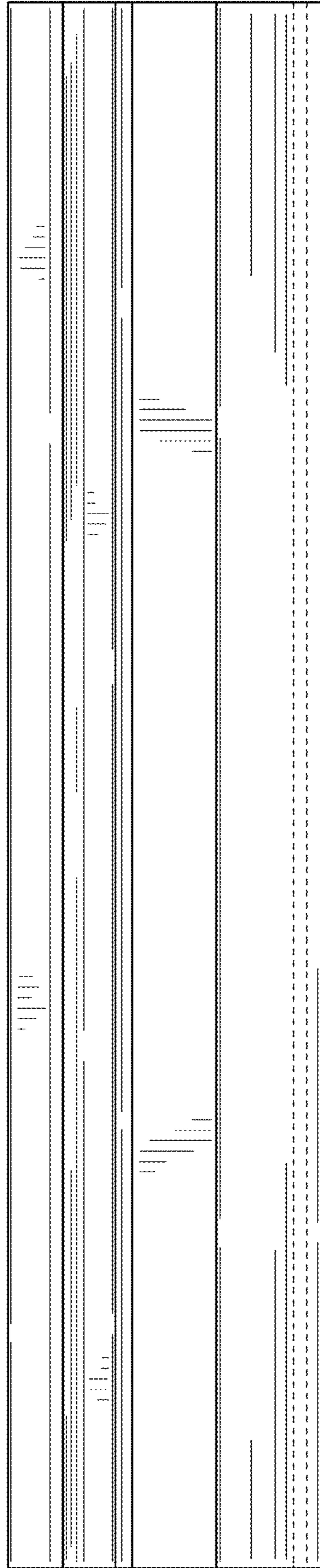


FIG. 10

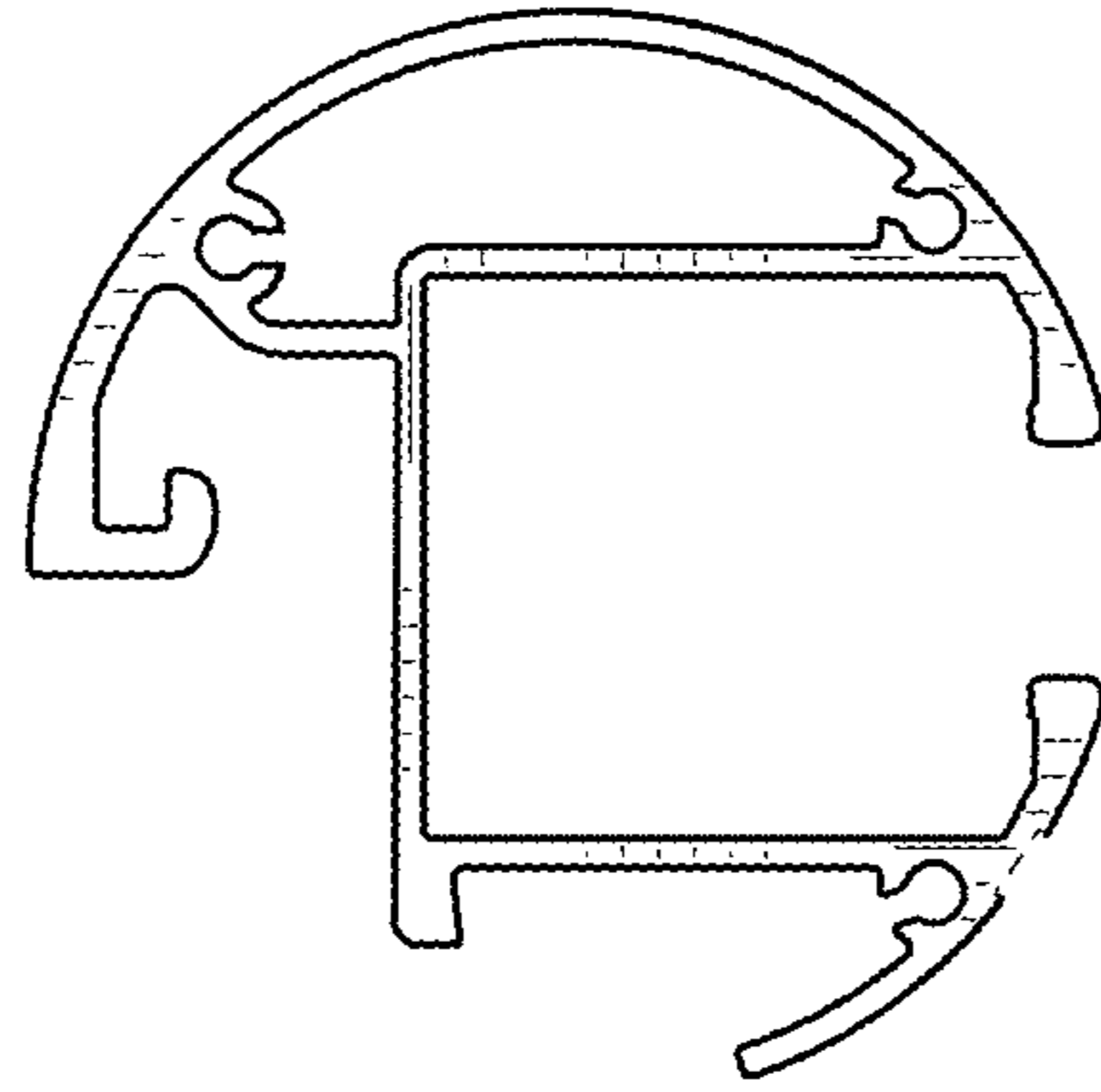


FIG. 12

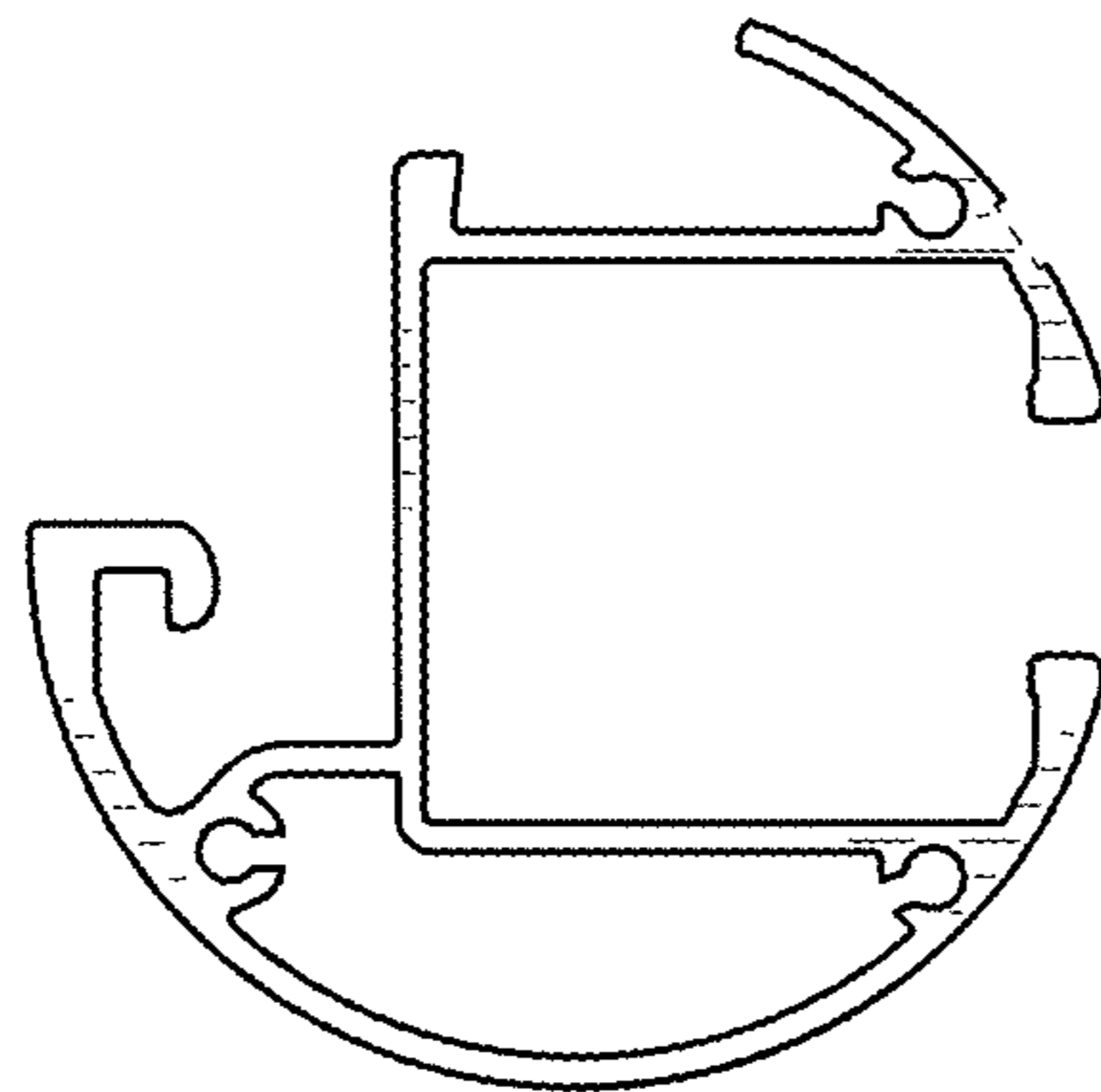


FIG. 11

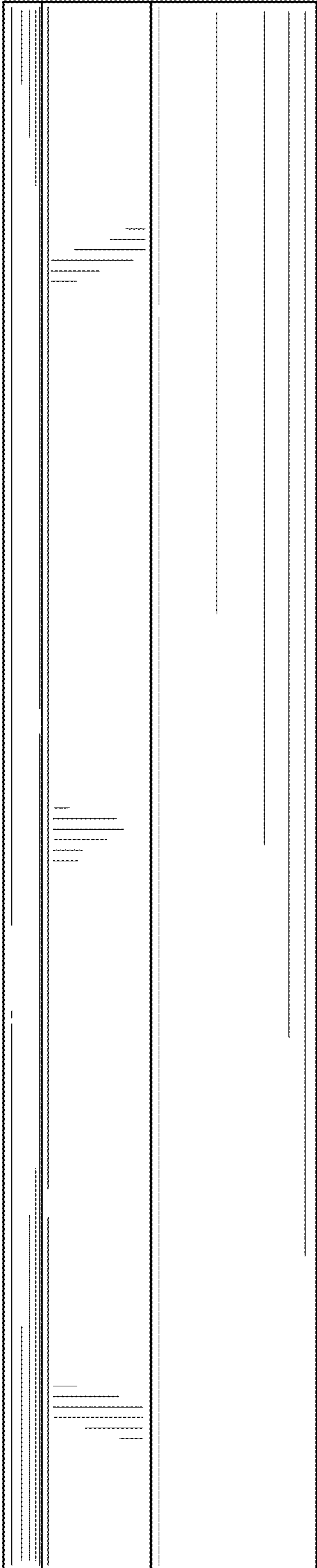


FIG. 13

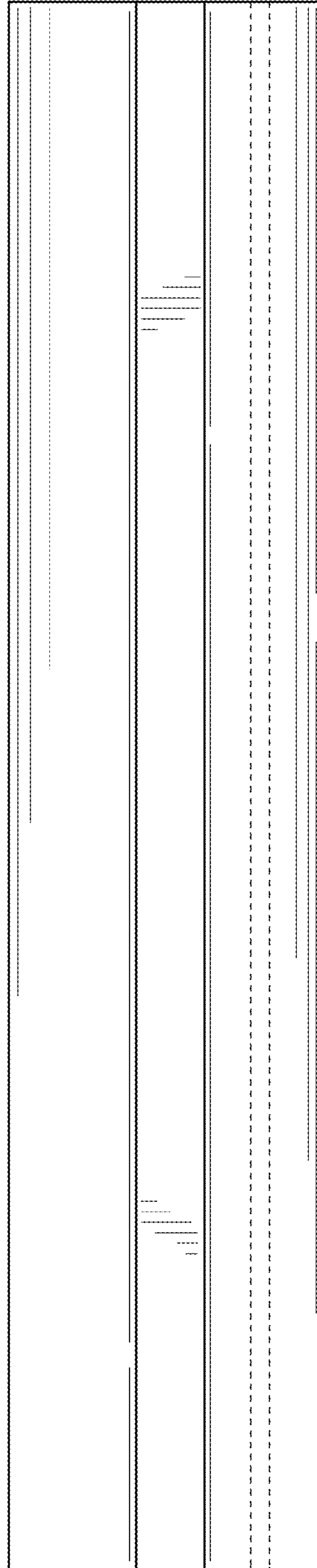


FIG. 14