



US00D944076S

(12) **United States Design Patent**
Quatraro et al.

(10) **Patent No.:** **US D944,076 S**

(45) **Date of Patent:** **** Feb. 22, 2022**

(54) **CURTAIN ROD**

(71) Applicant: **Unique Fine Fabrics Import Inc.,**
Woodbridge (CA)

(72) Inventors: **Ralph Quatraro, Woodbridge (CA);**
Paul Mazzotta, Woodbridge (CA)

(73) Assignee: **Unique Fine Fabrics Import Inc.,**
Woodbridge (CA)

(**) Term: **15 Years**

(21) Appl. No.: **29/652,330**

(22) Filed: **Jul. 22, 2020**

(30) **Foreign Application Priority Data**

Jan. 23, 2020 (CA) CA 192643

(51) **LOC (13) Cl.** **08-05**

(52) **U.S. Cl.**
USPC **D8/376; D8/377; D25/119**

(58) **Field of Classification Search**
USPC D8/376-377; D6/580; D25/119
CPC A47K 3/38; A47B 47/022; A47B 55/02;
A47B 96/06; A47B 96/028; A47H 1/00;
A47H 1/02; A47H 1/04; A47H 2/00;
A47H 2001/0215; A47H 2001/047; A47H
1/104; A47H 1/102; A47H 1/10; E06B
9/322

See application file for complete search history.

(56) **References Cited**

U.S. PATENT DOCUMENTS

D310,775 S * 9/1990 Ruonala D8/377
D313,858 S * 1/1991 Whitney D25/119
D345,498 S * 3/1994 Fraser D25/119
D358,982 S * 6/1995 Bosgoed D25/122
D417,607 S * 12/1999 Vining D25/119
D419,858 S * 2/2000 Bosgoed D25/121
D426,320 S * 6/2000 Andres D25/122

D495,592 S * 9/2004 Mausar D8/377
D585,267 S * 1/2009 Di Vinadio D8/377
D662,403 S * 6/2012 Page D8/377
D675,046 S * 1/2013 Kloppers D6/672
D689,206 S * 9/2013 Ellsworth D25/125

(Continued)

OTHER PUBLICATIONS

“2008 Kirsch Architect’s Guide”, Sep. 30, 2008, DraperyIndustries.com, site visited Sep. 16, 2021: <https://draperyindustries.com/wp-content/uploads/2016/04/ArchitectsGuide.pdf> (Year: 2008).*

(Continued)

Primary Examiner — Jack Reickel

Assistant Examiner — Michael A Kervin

(74) *Attorney, Agent, or Firm* — Santosh K. Chari; CPST Intellectual Property Inc.

(57) **CLAIM**

The ornamental design for a curtain rod, as shown and described.

DESCRIPTION

FIG. 1 is a front, side perspective view of the curtain rod. FIG. 2 is a top, front perspective view of the design of FIG. 1.

FIG. 3 is a bottom, front perspective view of the design of FIG. 1.

FIG. 4 is a left-side view of the design of FIG. 1.

FIG. 5 is a right-side view of the design of FIG. 1.

FIG. 6 is a top view of the design of FIG. 1.

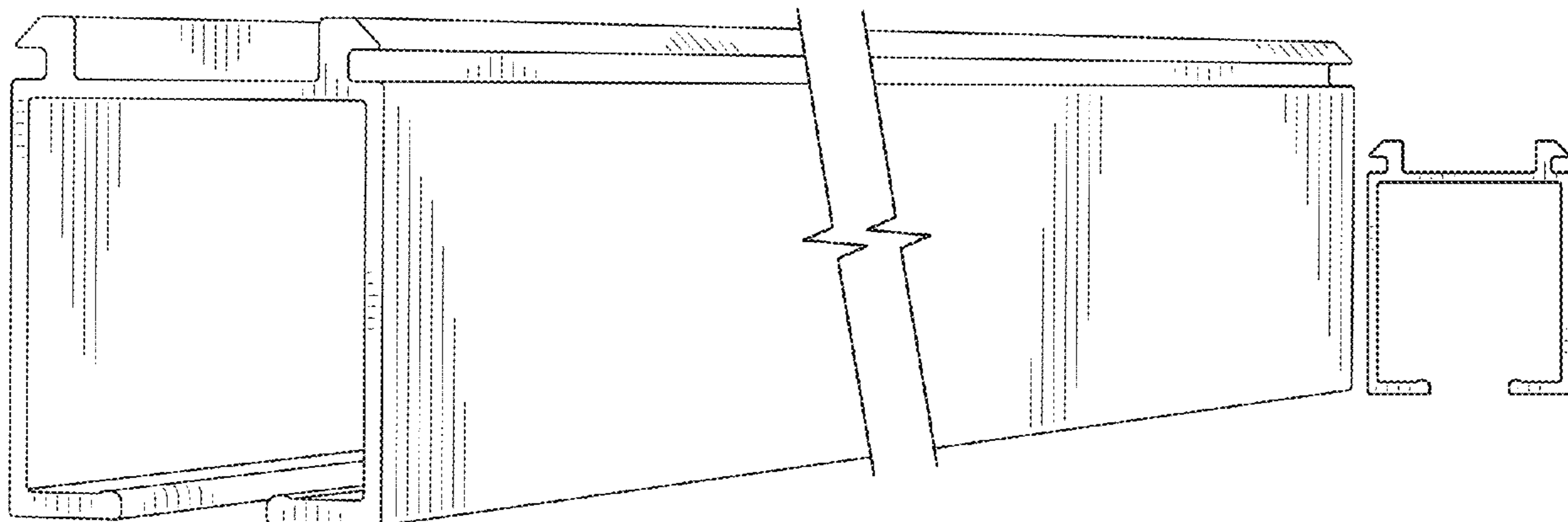
FIG. 7 is a bottom view of the design of FIG. 1.

FIG. 8 is a front view of the design of FIG. 1; and,

FIG. 9 is a rear view of the design of FIG. 1.

The curtain rod is shown with a symbolic break in its length in FIGS. 1-3 and 6-9, represented by break lines. The break lines and appearance of any portion of the article between the break lines form no part of the claimed subject matter.

1 Claim, 6 Drawing Sheets



(56)

References Cited

U.S. PATENT DOCUMENTS

D695,220	S	*	12/2013	Lamouree	D13/122
D696,814	S	*	12/2013	Matus, Jr.	D26/138
D715,629	S	*	10/2014	Grubb	D8/377
D726,988	S	*	4/2015	Baric	D34/29
D732,698	S	*	6/2015	Meng	D25/61
D737,671	S	*	9/2015	Chou	D8/376
D752,422	S	*	3/2016	Veilleux	D8/377
D755,041	S	*	5/2016	Weldon	D8/377
D771,477	S	*	11/2016	Anderson	D8/377
D808,685	S	*	1/2018	Raiti	D6/580
D811,203	S	*	2/2018	Chou	E06B 9/42
						D8/376
D811,204	S	*	2/2018	Weldon	D8/377
D853,827	S	*	7/2019	Lang	D8/377
D920,769	S	*	6/2021	Kovacs	D8/377

OTHER PUBLICATIONS

“Johnson Sliding Door Hardware”, Feb. 28, 2013, Amazon.com, site visited Sep. 16, 2021: <https://www.amazon.com/100PD-Commercial-Pocket-Sliding-Hardware/dp/B00BMTTV8U> (Year: 2013).*

“R Trac Drapery Components”, Dec. 10, 2018, YouTube.com, site visited Sep. 16, 2021: <https://www.youtube.com/watch?v=N8PHIijE2UY> (Year: 2018).*

“Stringing a Traverse Rod”, Dec. 10, 2018, YouTube.com, site visited Sep. 16, 2021: <https://www.youtube.com/watch?v=DAyn0J2UcXg> (Year: 2018).*

“Kirsch 2019 Digital Price Guide”, Apr. 1, 2019, mylltd.com via ConstantContact.com, site visited Sep. 27, 2021: mylltd.com/pdf/drapery_hardware/Kirsch_2019_Digital_Price_Guide.pdf via myemail.constantcontact.com/Kirsch-2019-New-Products.html?soid=1110081848173&aid=JxeP1sUjPOU (Year: 2019).*

* cited by examiner

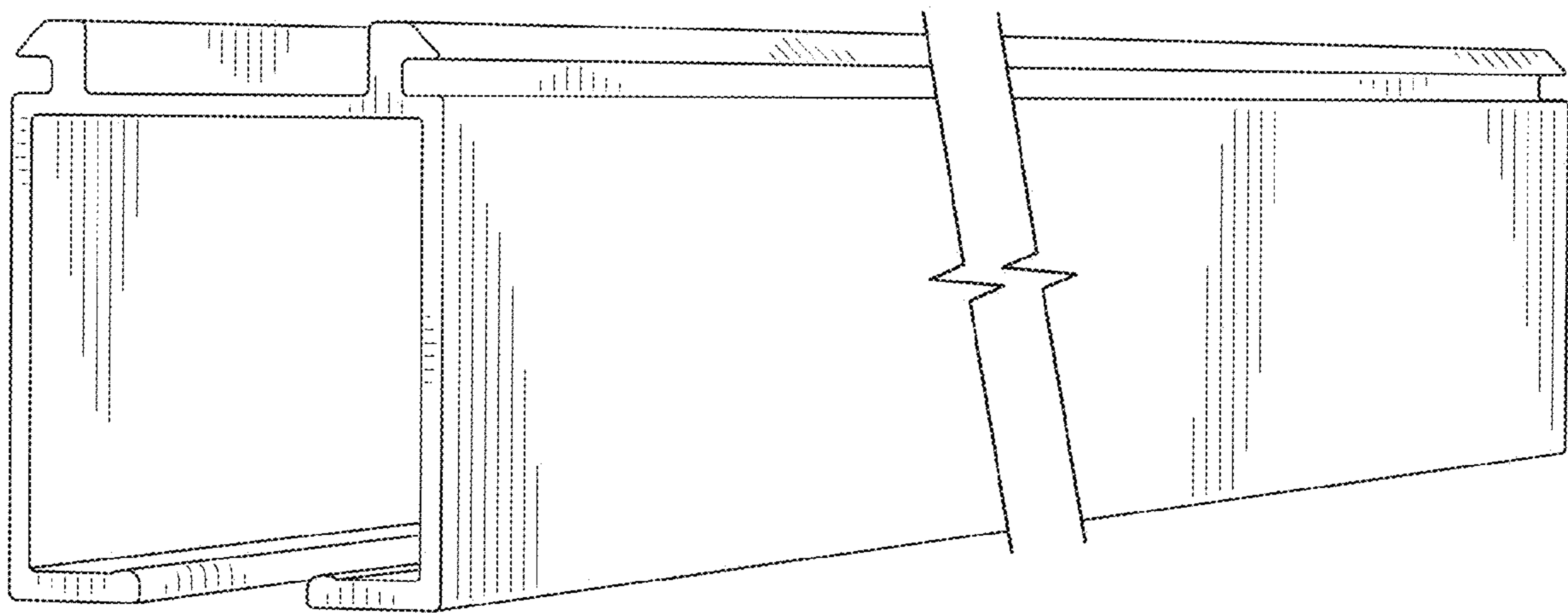


FIG. 1

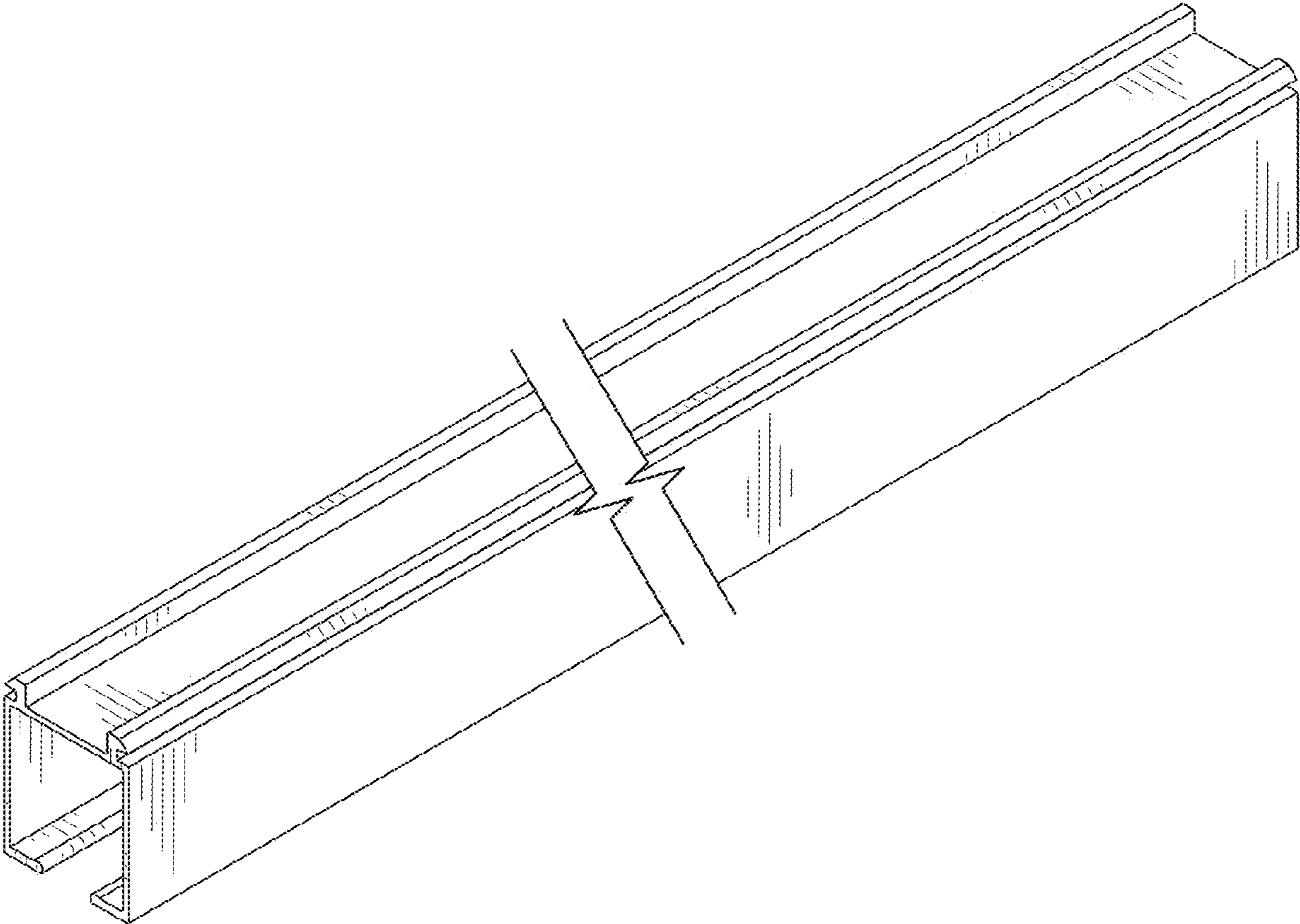


FIG. 2

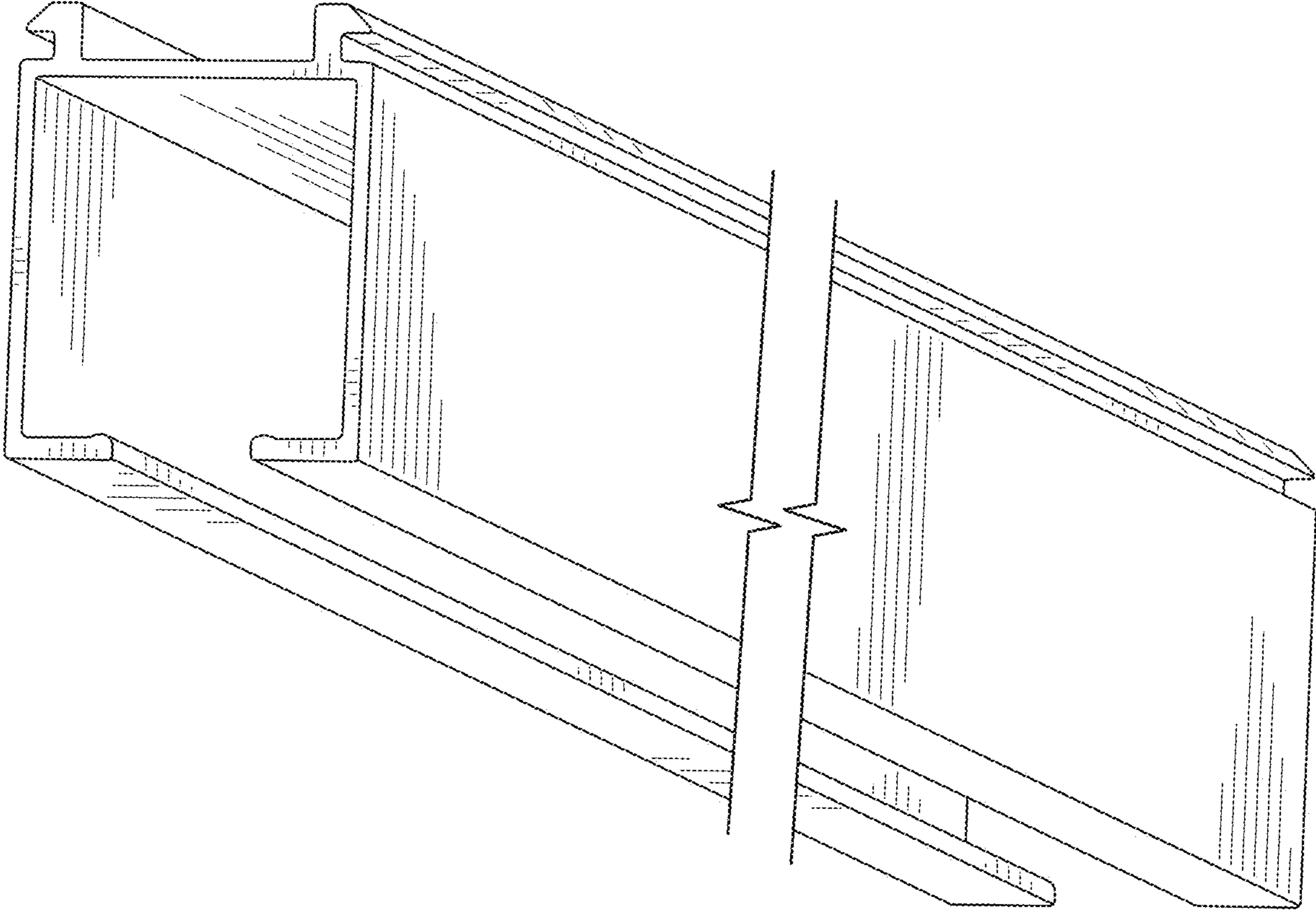


FIG. 3

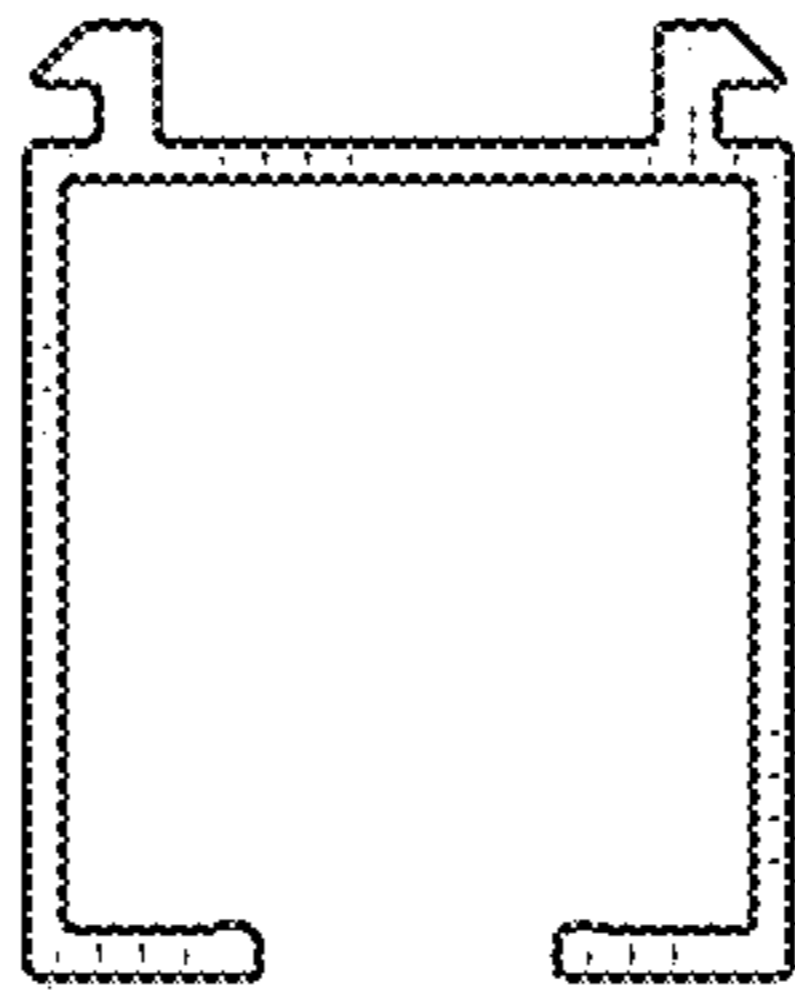


FIG. 4

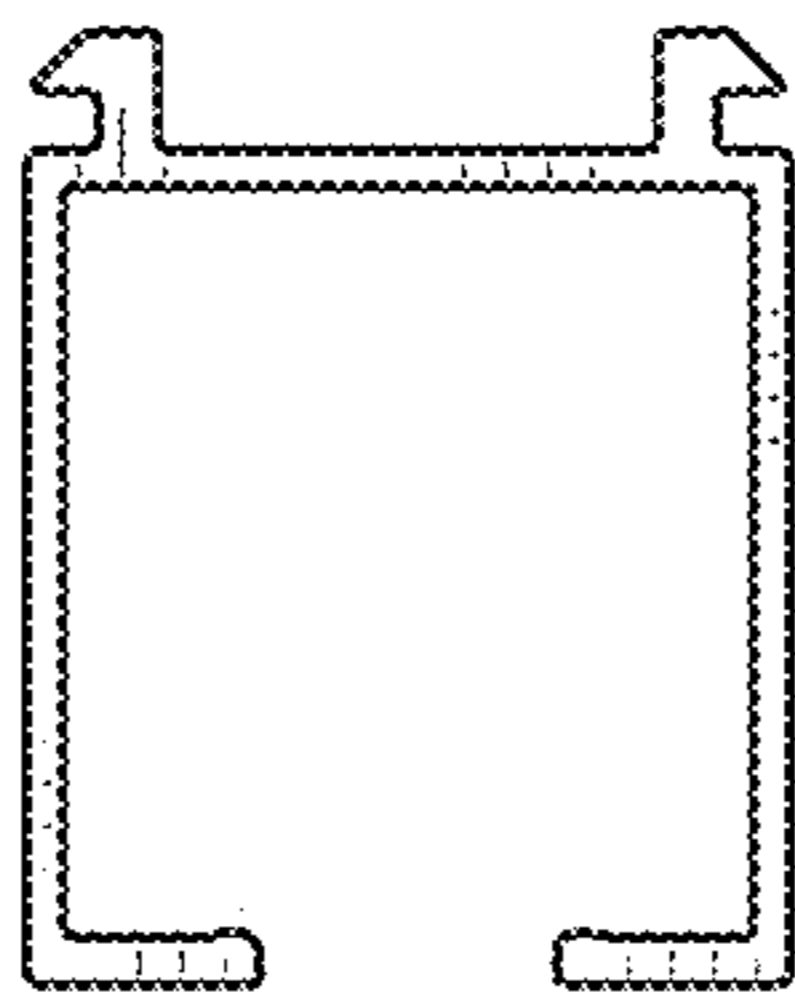


FIG. 5

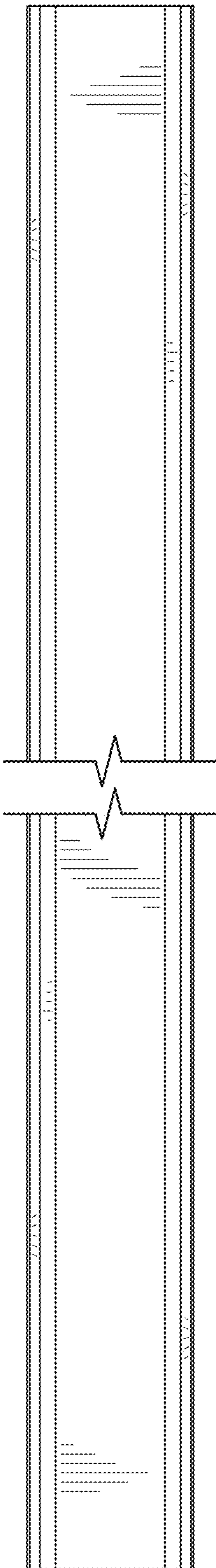


FIG. 6

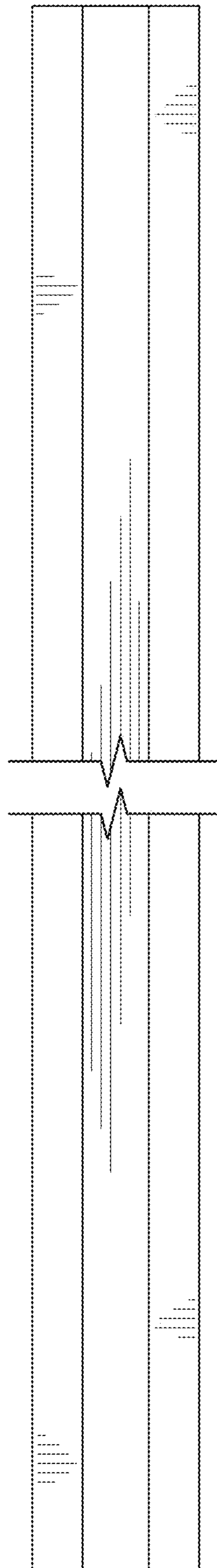


FIG. 7

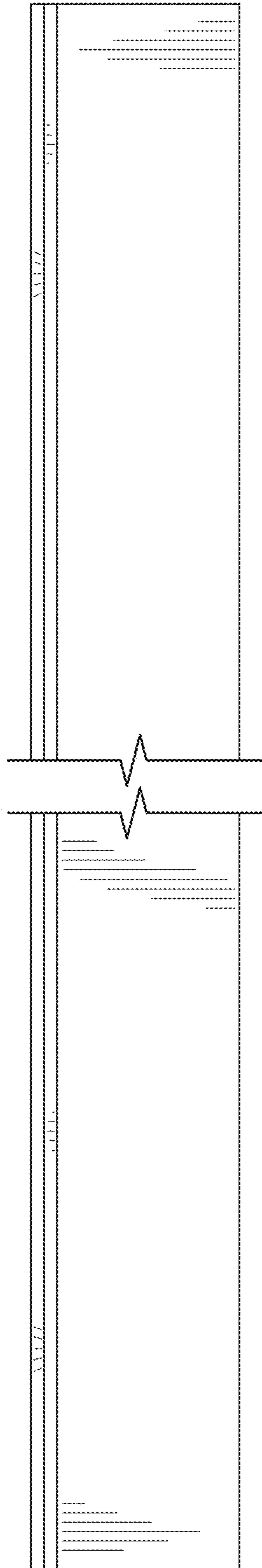


FIG. 8

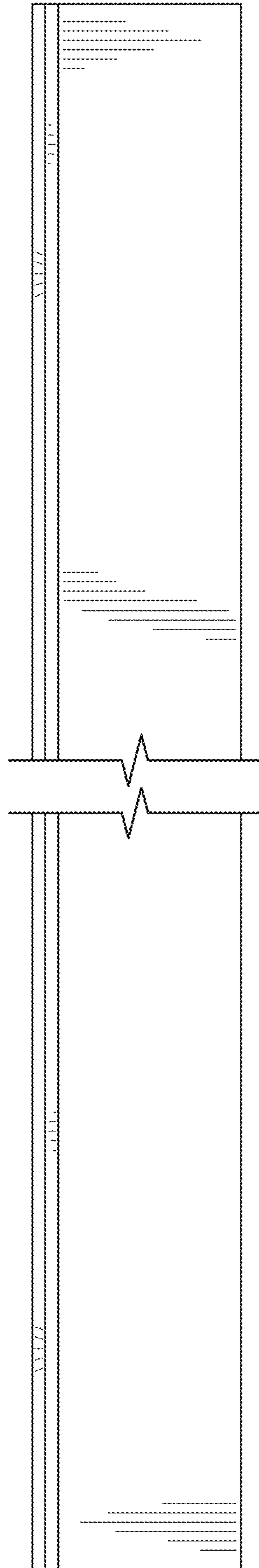


FIG. 9