



US00D944075S

(12) **United States Design Patent**
Shang

(10) **Patent No.:** **US D944,075 S**

(45) **Date of Patent:** **** Feb. 22, 2022**

(54) **HOOK**

(71) Applicant: **Li Shang**, Nanyang (CN)

(72) Inventor: **Li Shang**, Nanyang (CN)

(**) Term: **15 Years**

(21) Appl. No.: **29/779,057**

(22) Filed: **Apr. 16, 2021**

(51) **LOC (13) Cl.** **08-05**

(52) **U.S. Cl.**
USPC **D8/367; D8/372**

(58) **Field of Classification Search**
USPC D8/367, 356, 354, 349; 248/339;
224/217; D6/323

CPC A45F 5/021; A45F 5/102; A44B 13/0029;
F16B 45/00; A47G 1/20

See application file for complete search history.

(56) **References Cited**

U.S. PATENT DOCUMENTS

942,009	A *	11/1909	Mueller	A62B 1/14 182/193
4,070,735	A *	1/1978	Canaday	A47K 3/38 160/349.2
D275,629	S *	9/1984	Einhorn	D8/372
6,095,465	A *	8/2000	Week	A47G 1/20 248/205.3
D514,142	S *	1/2006	Olsen	D15/139
D547,584	S *	7/2007	Little	D6/569
D559,091	S *	1/2008	Skorka	D8/367
D600,538	S *	9/2009	Thompson	D8/372
D666,444	S *	9/2012	Tharp	D6/567
D666,445	S *	9/2012	Tharp	D6/567
D666,473	S *	9/2012	Despotellis	D8/354
D666,474	S *	9/2012	Despotellis	D8/354
D668,089	S *	10/2012	Afghan	A47K 1/09 D6/534
D694,097	S *	11/2013	Hammer	D8/372
D697,387	S *	1/2014	Starck	D8/367

D700,827	S *	3/2014	Starck	D8/367
D756,206	S *	5/2016	Pan	D8/372
D759,470	S *	6/2016	Pan	D8/372
D773,291	S *	12/2016	Green	D8/349
D790,328	S *	6/2017	Hall	D6/323
D801,787	S	11/2017	Pan et al.		
D809,371	S *	2/2018	Forrest	D8/372
D817,747	S	5/2018	Dockery et al.		
D860,767	S *	9/2019	Hall	D8/367
D860,768	S *	9/2019	Hall	D8/367
2003/0085331	A1 *	5/2003	Week	A47G 1/20 248/475.1
2007/0295879	A1 *	12/2007	Wong	A47G 1/20 248/475.1
2010/0213333	A1 *	8/2010	Mejia	A47G 1/20 248/220.21

* cited by examiner

Primary Examiner — Cynthia R Underwood

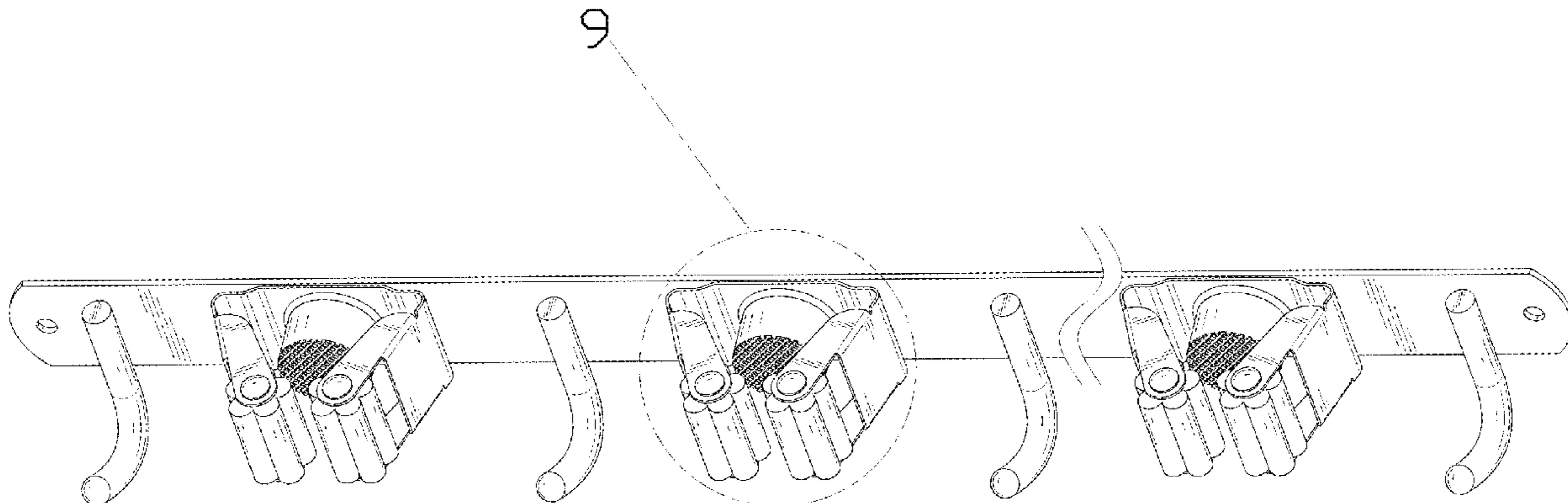
(57) **CLAIM**

The ornamental design for a hook, as shown and described.

DESCRIPTION

FIG. 1 is a perspective view of a hook showing my new design;
 FIG. 2 is another perspective view thereof;
 FIG. 3 is a front elevational view thereof;
 FIG. 4 is a rear elevational view thereof;
 FIG. 5 is a left side elevational view thereof;
 FIG. 6 is a right side elevational view thereof;
 FIG. 7 is a top plan view thereof;
 FIG. 8 is a bottom plan view thereof; and,
 FIG. 9 is an enlarged view of portion 9 shown in FIG. 1.
 The broken lines in the drawings depict portions of the hook that form no part of the claimed design. The hook is shown with a symbolic break in its length and the appearance of any portion of the hook between the break lines form no part of the claimed design.

1 Claim, 9 Drawing Sheets



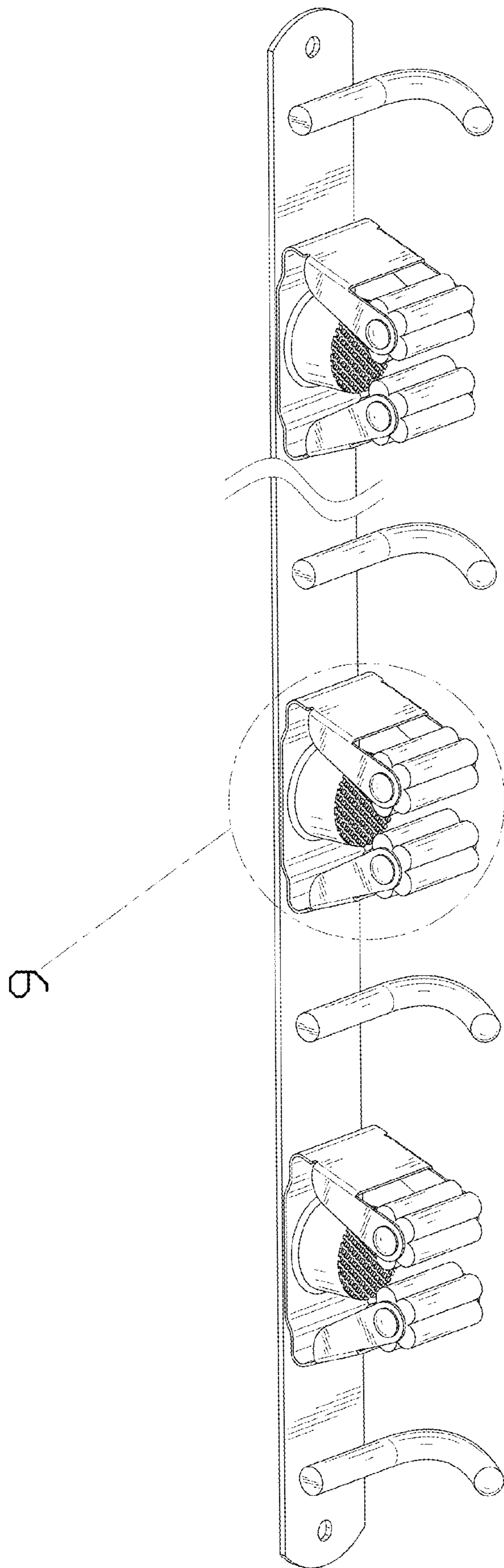


FIG. 1

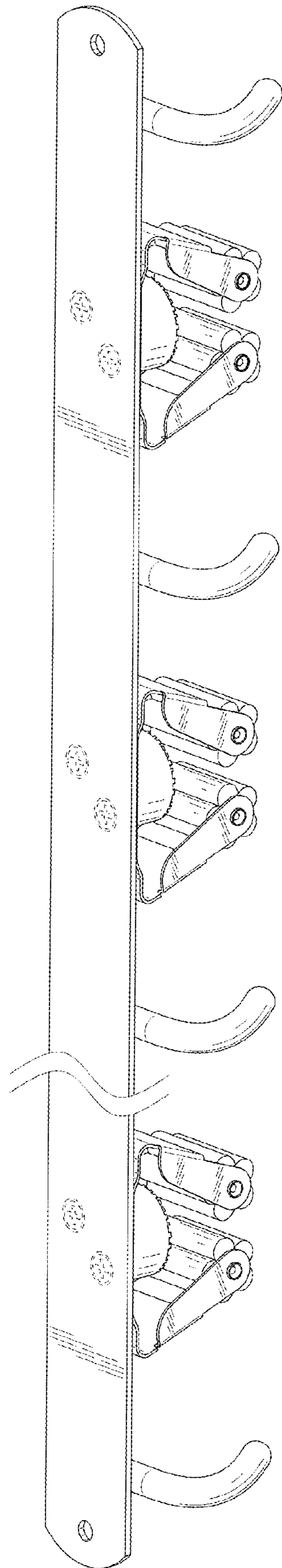


FIG. 2

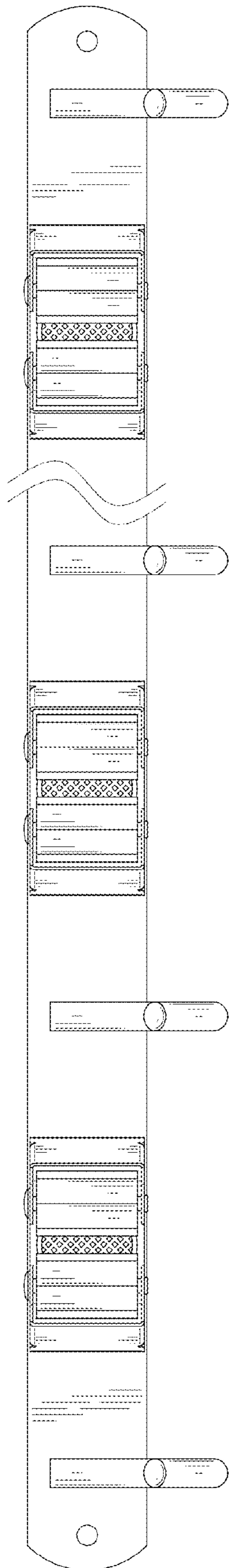


FIG. 3

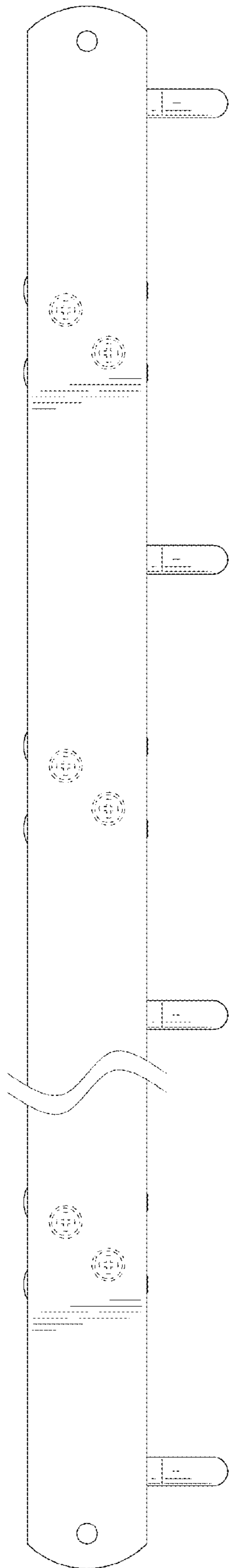


FIG. 4

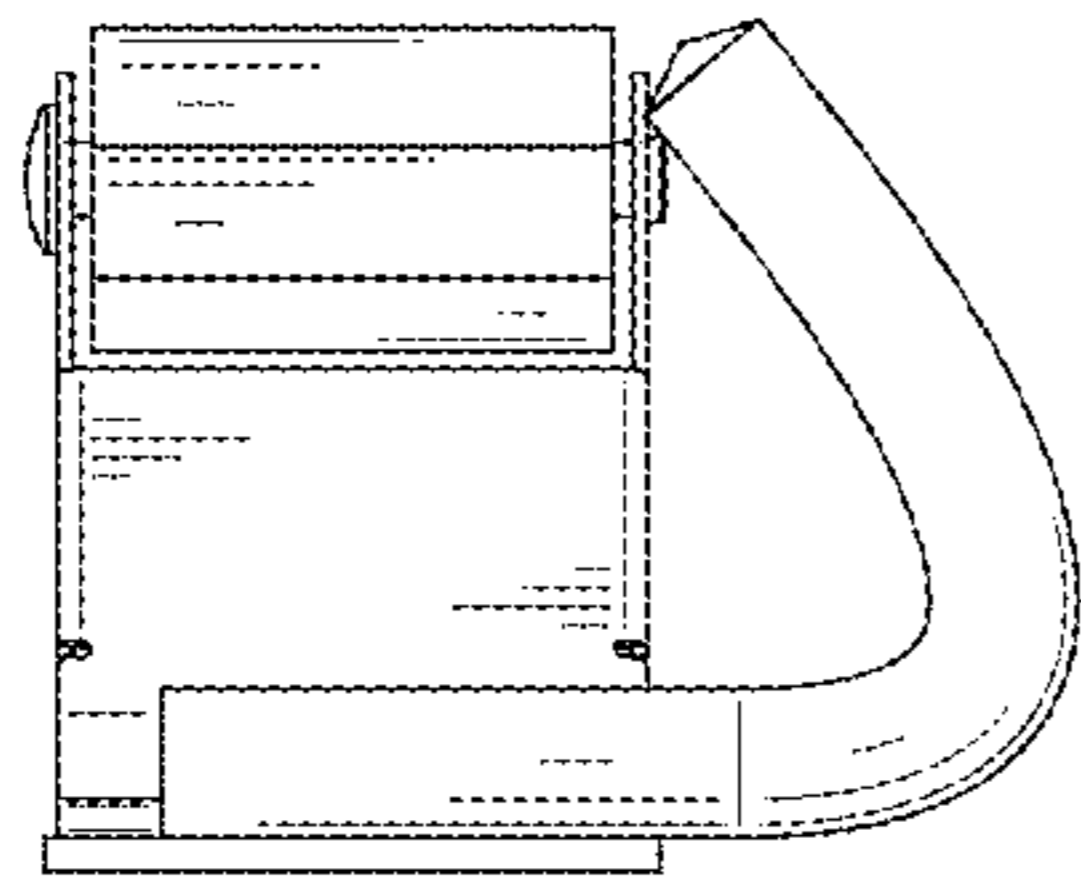


FIG. 5

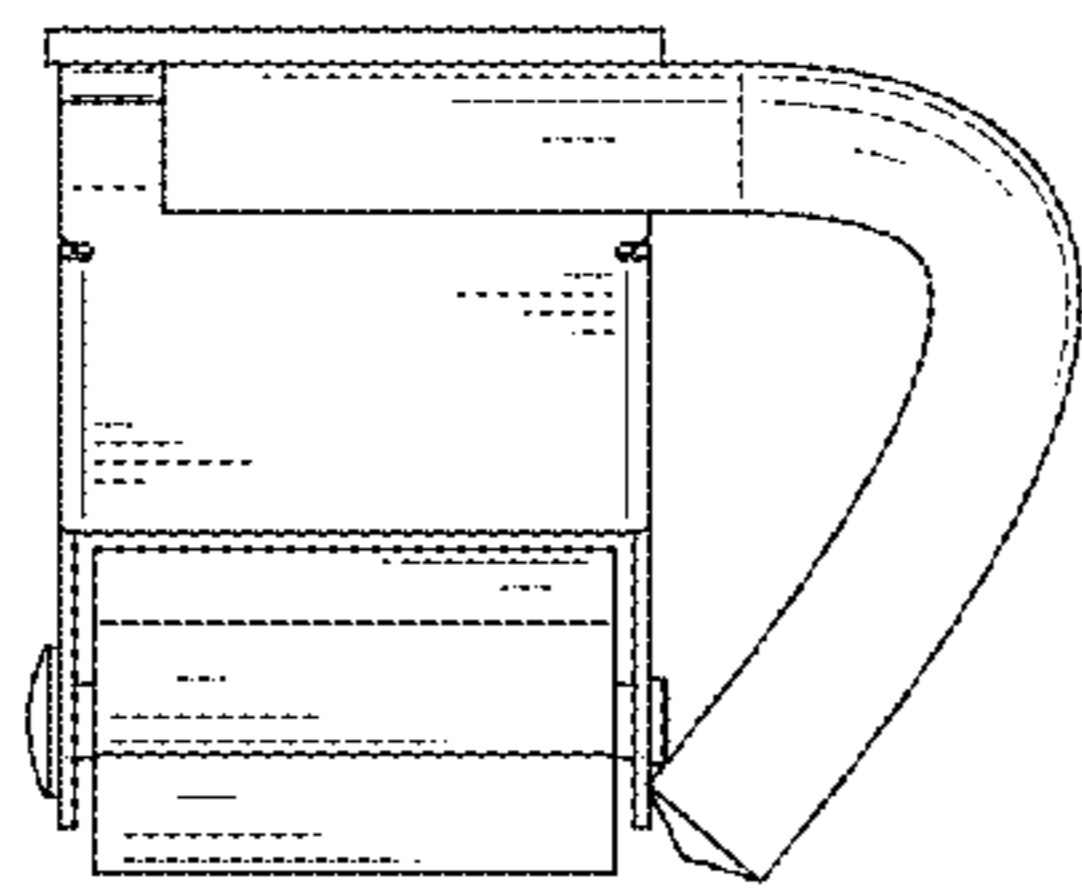


FIG. 6

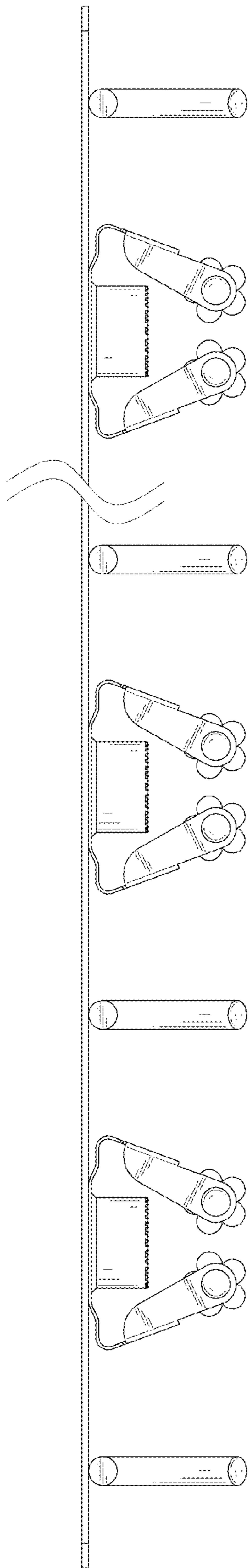


FIG. 7

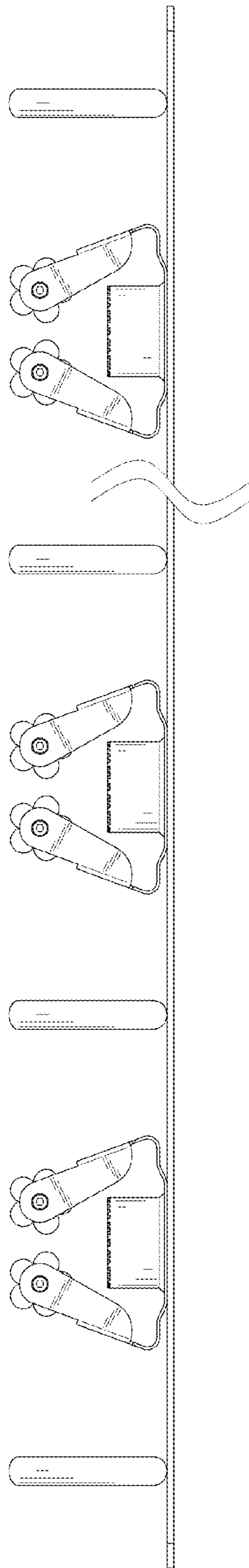


FIG. 8

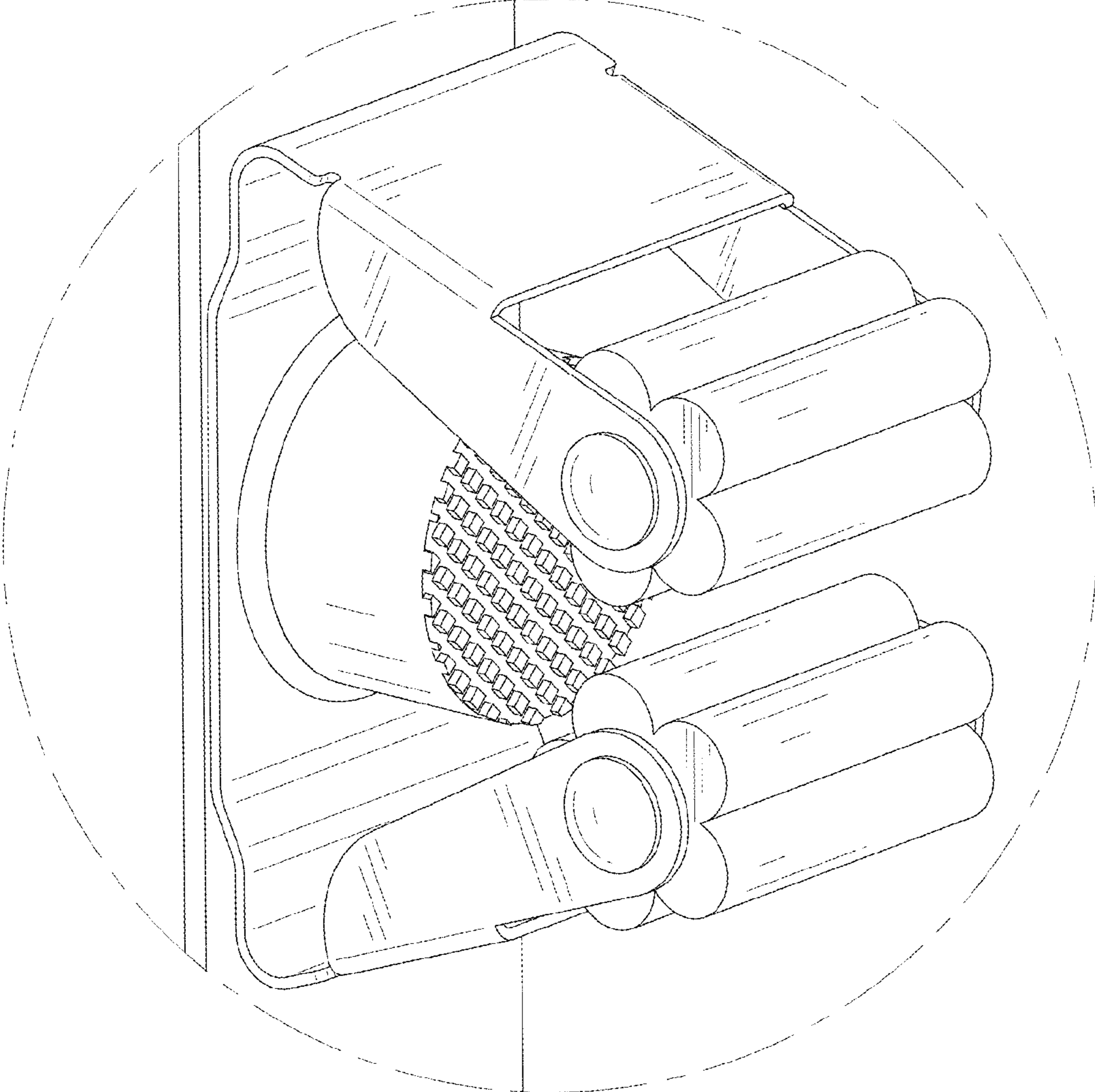


FIG. 9