



US00D944074S

(12) **United States Design Patent** (10) **Patent No.:** **US D944,074 S**  
**Schicker** (45) **Date of Patent:** **\*\* Feb. 22, 2022**

(54) **HOOK ENGAGEMENT MEMBER** 6,729,210 B2 \* 5/2004 Morris ..... B25B 13/5091  
81/124.2  
(71) Applicant: **FLEXIDRILL LIMITED**, Auckland 7,137,462 B2 \* 11/2006 Miyanaga ..... B23B 51/02  
(NZ) 175/398  
(72) Inventor: **Owen Schicker**, Timaru (NZ) D625,171 S \* 10/2010 Kiely ..... D8/356  
D635,843 S \* 4/2011 McDuff ..... D8/367  
D649,436 S \* 11/2011 McDuff ..... D8/367  
(73) Assignee: **FLEXIDRILL LIMITED**, Auckland D731,982 S \* 6/2015 Sorensen ..... D13/149  
(NZ) D739,493 S \* 9/2015 Wyne ..... D23/200  
9,178,341 B2 \* 11/2015 Maltby ..... H02G 1/083  
D766,759 S \* 9/2016 Lenz ..... D10/74  
D799,950 S \* 10/2017 von Wilcke ..... D8/393  
(\*\*) Term: **15 Years** (Continued)

(21) Appl. No.: **29/718,336**

*Primary Examiner* — Cynthia R Underwood  
(74) *Attorney, Agent, or Firm* — Stites & Harbison,  
PLLC; Terry L. Wright

(22) Filed: **Dec. 23, 2019**

(30) **Foreign Application Priority Data**

(57) **CLAIM**

Jun. 24, 2019 (NZ) ..... 426164

The ornamental design for a hook engagement member, as shown and described.

(51) **LOC (13) Cl.** ..... **08-05**

**DESCRIPTION**

(52) **U.S. Cl.**

USPC ..... **D8/367**

(58) **Field of Classification Search**

USPC ..... D8/367, 354, 349, 373; D6/323;  
248/301–304, 339

CPC ..... A47G 1/00; A47G 25/00

See application file for complete search history.

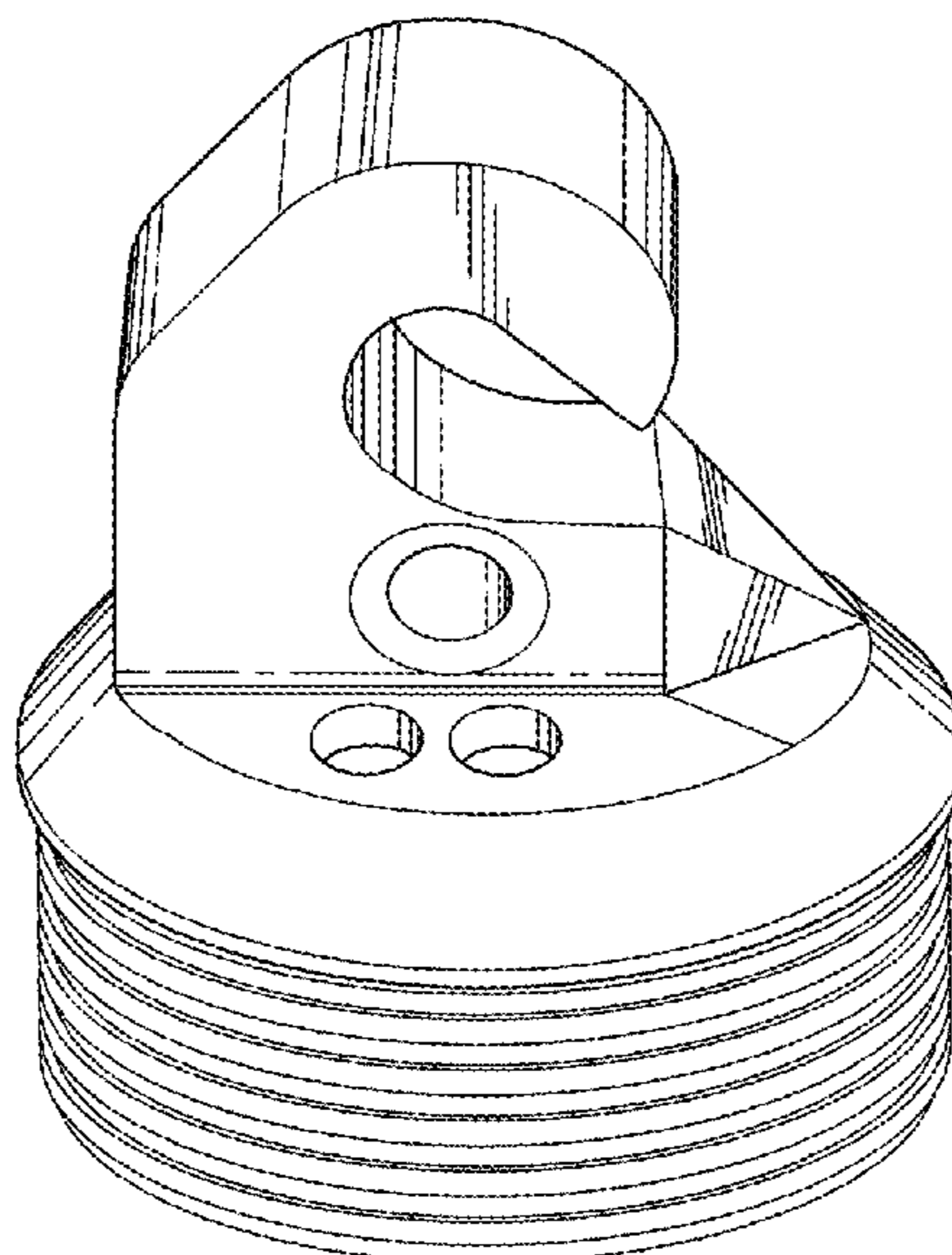
(56) **References Cited**

**U.S. PATENT DOCUMENTS**

D29,189 S \* 8/1898 Butler ..... D8/392  
D52,773 S \* 12/1918 Perovich ..... D8/392  
D58,221 S \* 6/1921 Embanks ..... D8/392  
1,560,029 A \* 11/1925 Erickson ..... F16B 47/003  
248/467  
D296,662 S \* 7/1988 Young ..... D8/392  
D365,510 S \* 12/1995 Kiely ..... D13/154  
5,872,335 A \* 2/1999 Mullen, Jr. .... F16L 3/1226  
174/653  
D409,082 S \* 5/1999 Donahue ..... D8/373  
D470,461 S \* 2/2003 Liang ..... D13/133

FIG. 1 is a perspective view of the hook engagement member of the present invention;  
FIG. 2 is another perspective view of the hook engagement member of FIG. 1;  
FIG. 3 is another perspective view of the hook engagement member of FIG. 1;  
FIG. 4 is a front view of the hook engagement member of FIG. 1;  
FIG. 5 is a rear view of the hook engagement member of FIG. 1;  
FIG. 6 is a right side view of the hook engagement member of FIG. 1;  
FIG. 7 is a left side view of the hook engagement member of FIG. 1;  
FIG. 8 is a top elevational view of the hook engagement member of FIG. 1; and,  
FIG. 9 is a bottom elevational view of the hook engagement member of FIG. 1.

**1 Claim, 8 Drawing Sheets**



(56)

**References Cited**

U.S. PATENT DOCUMENTS

D800,543	S	*	10/2017	Mangeri	.....	D8/367
D822,466	S	*	7/2018	Mangeri	.....	D8/367
D880,990	S	*	4/2020	Liu	.....	D8/367
D891,487	S	*	7/2020	Huang	.....	D15/78
10,871,180	B2	*	12/2020	McDuff	.....	F16B 13/04
2003/0189147	A1	*	10/2003	Immerman	.....	A47G 1/17 248/304

\* cited by examiner

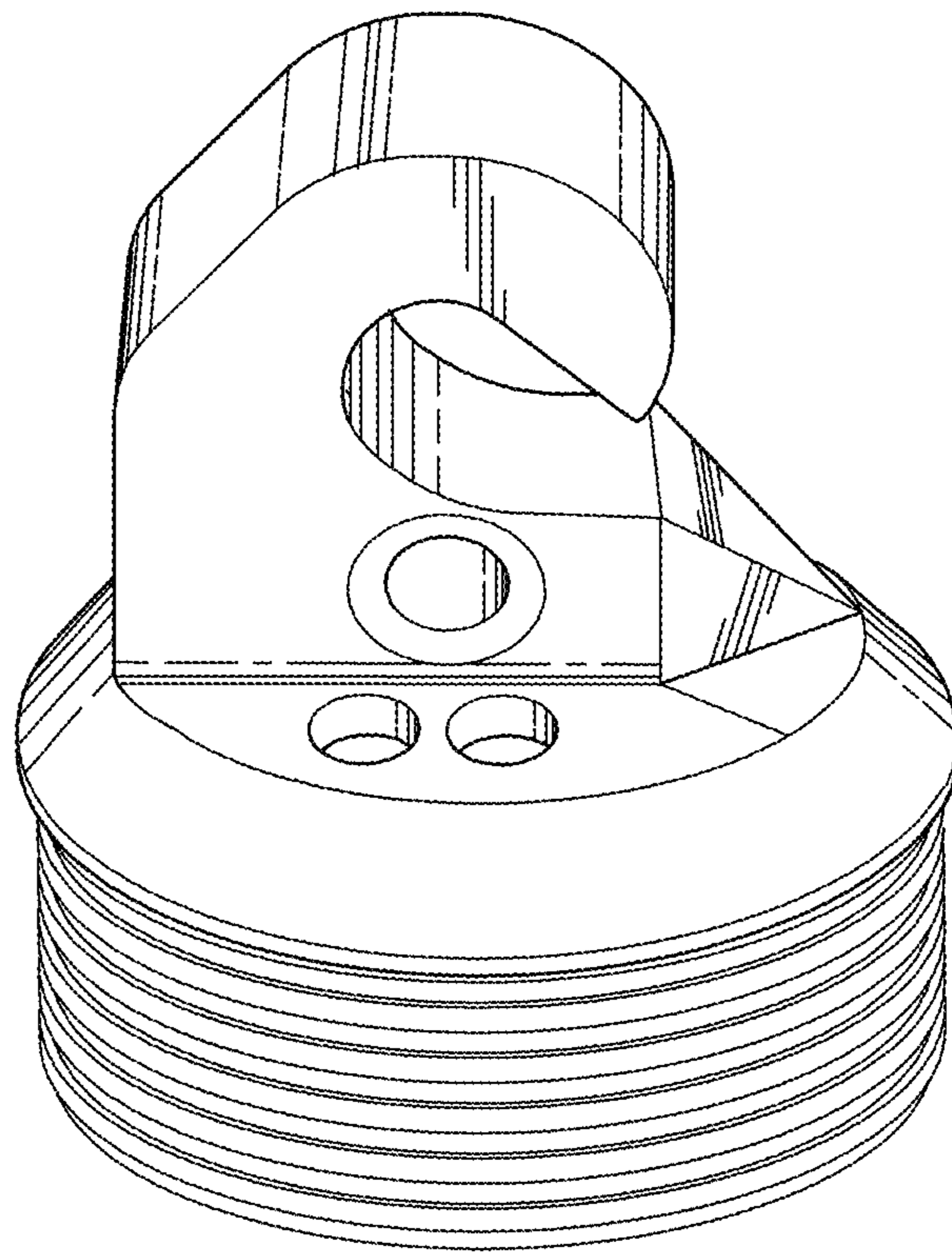


FIG. 1

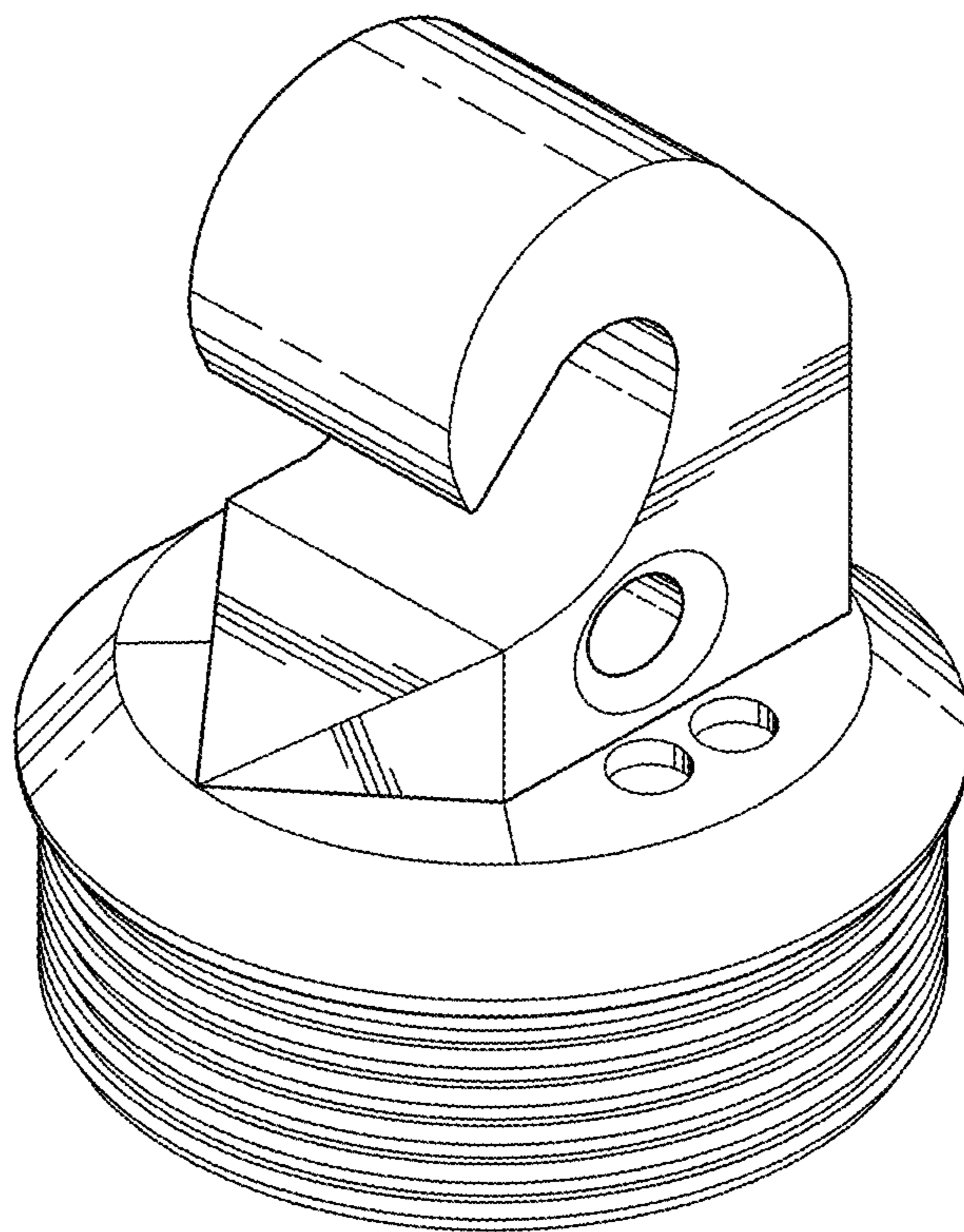


FIG. 2

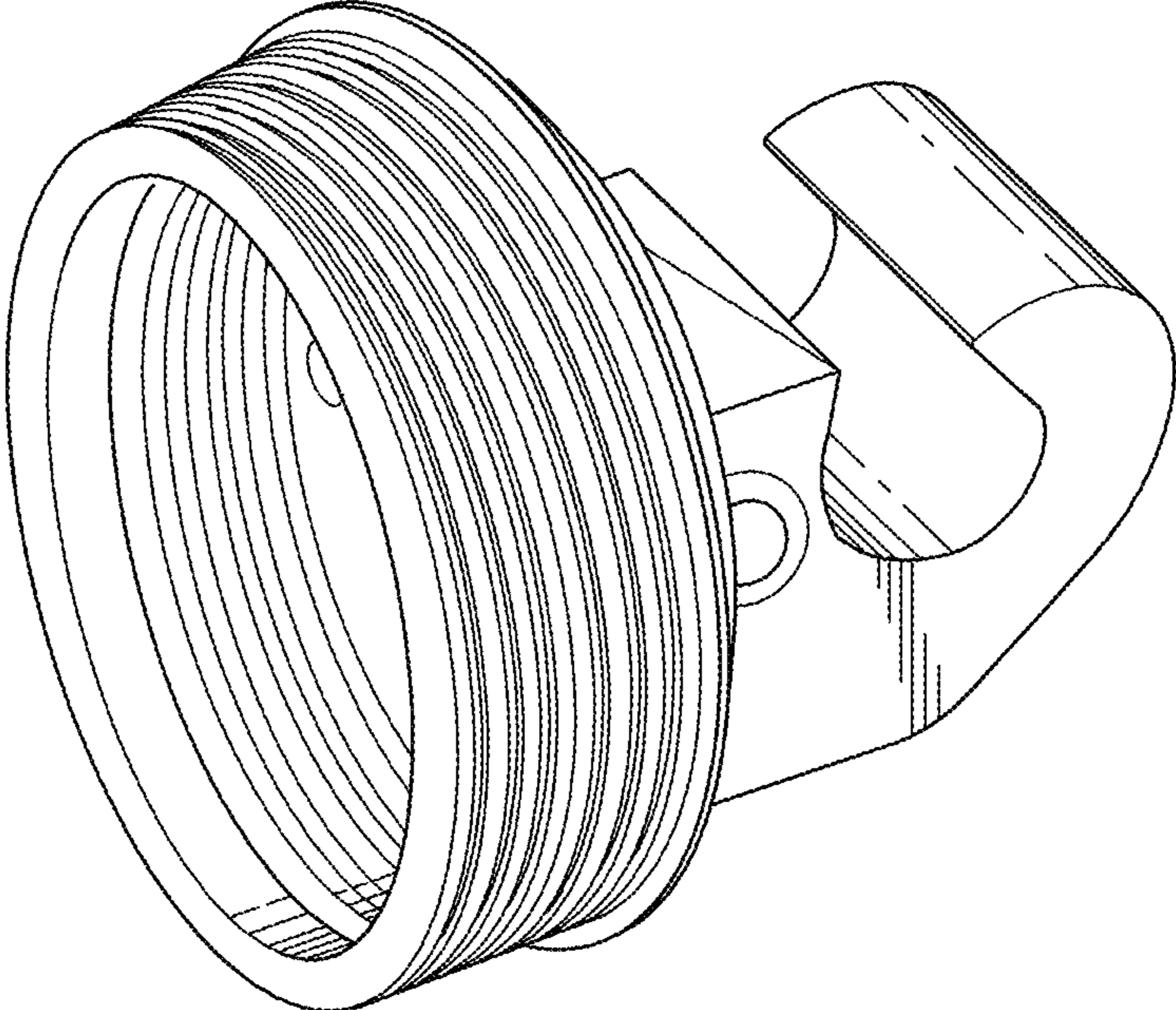


FIG. 3

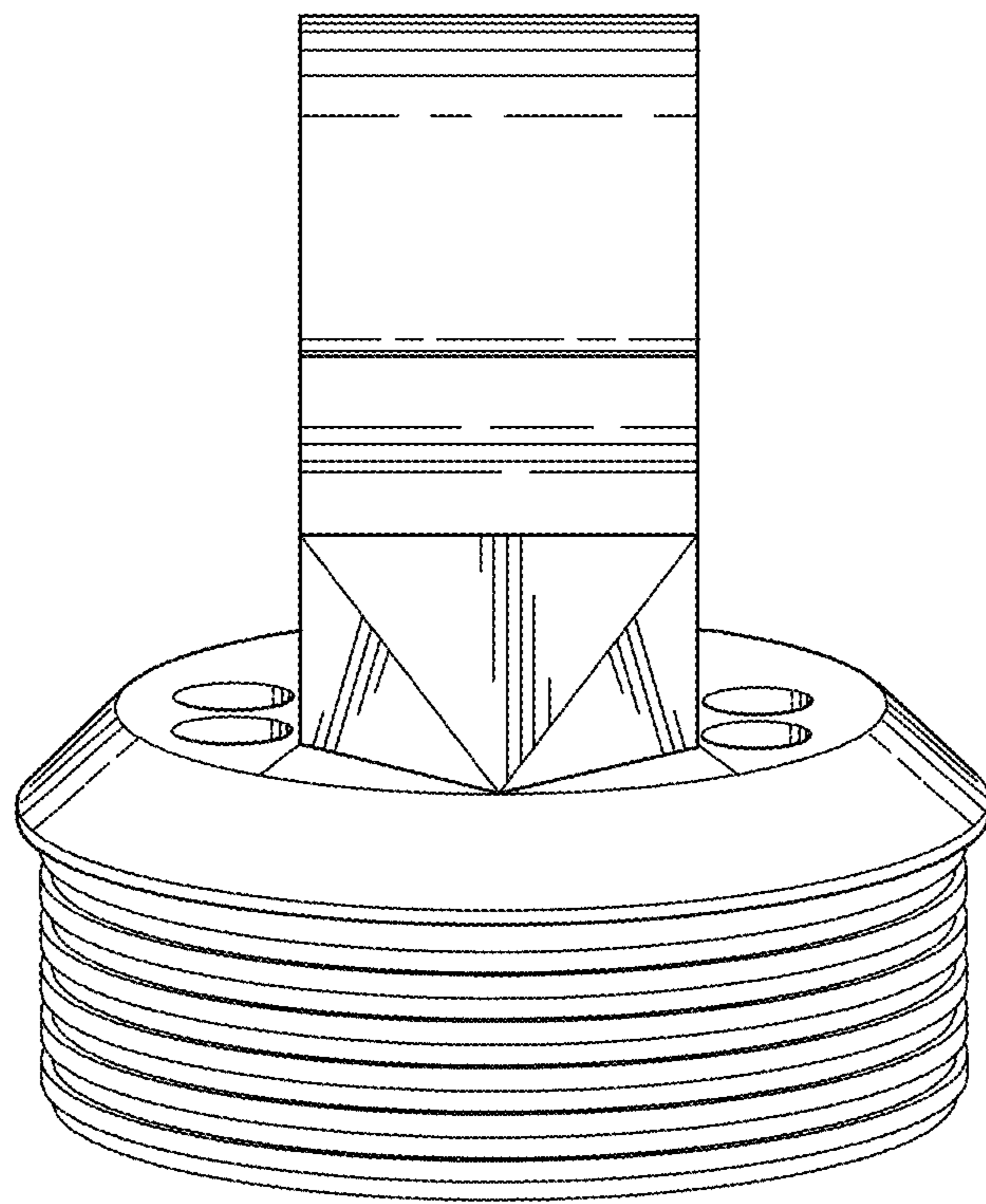


FIG. 4

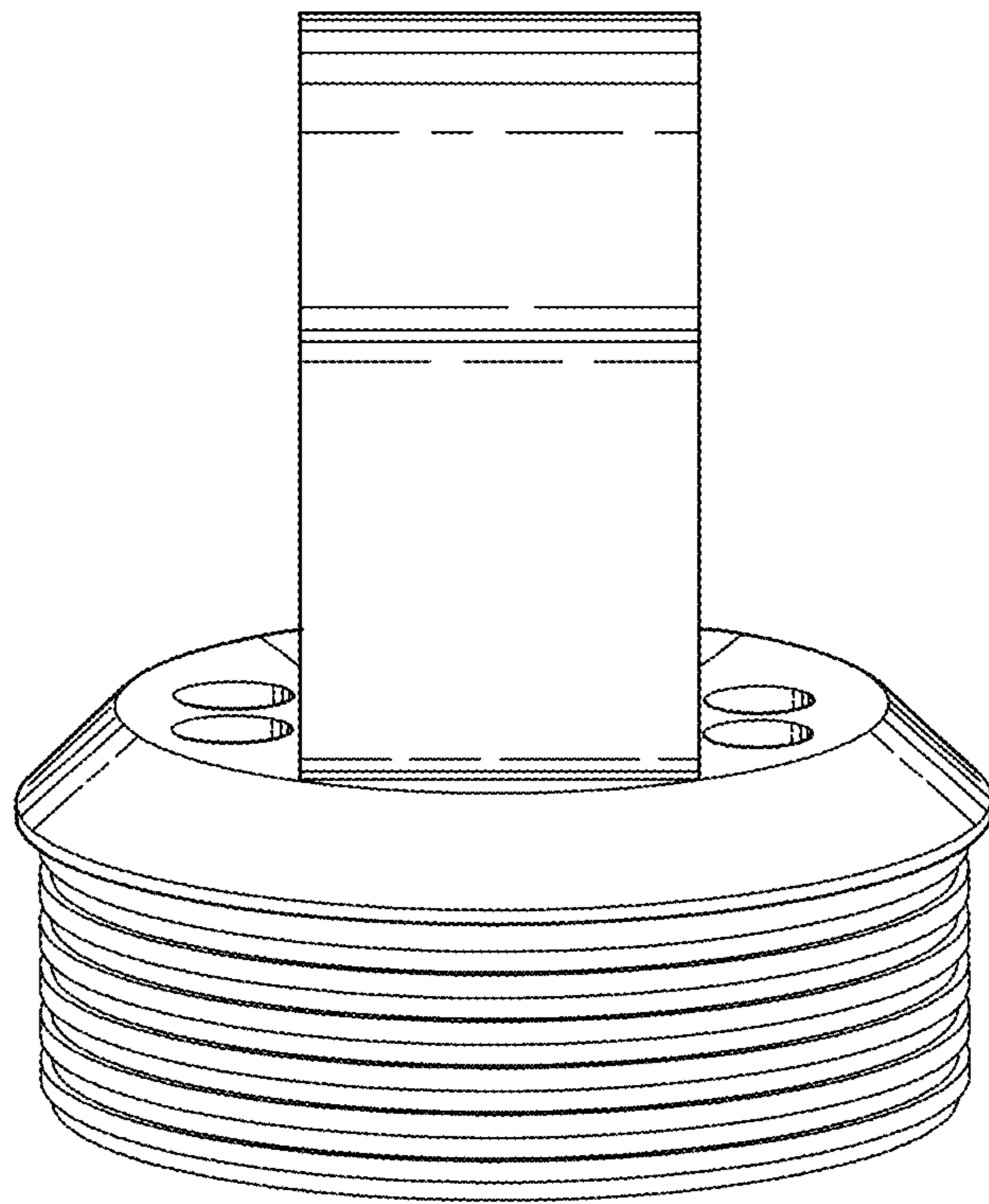


FIG. 5

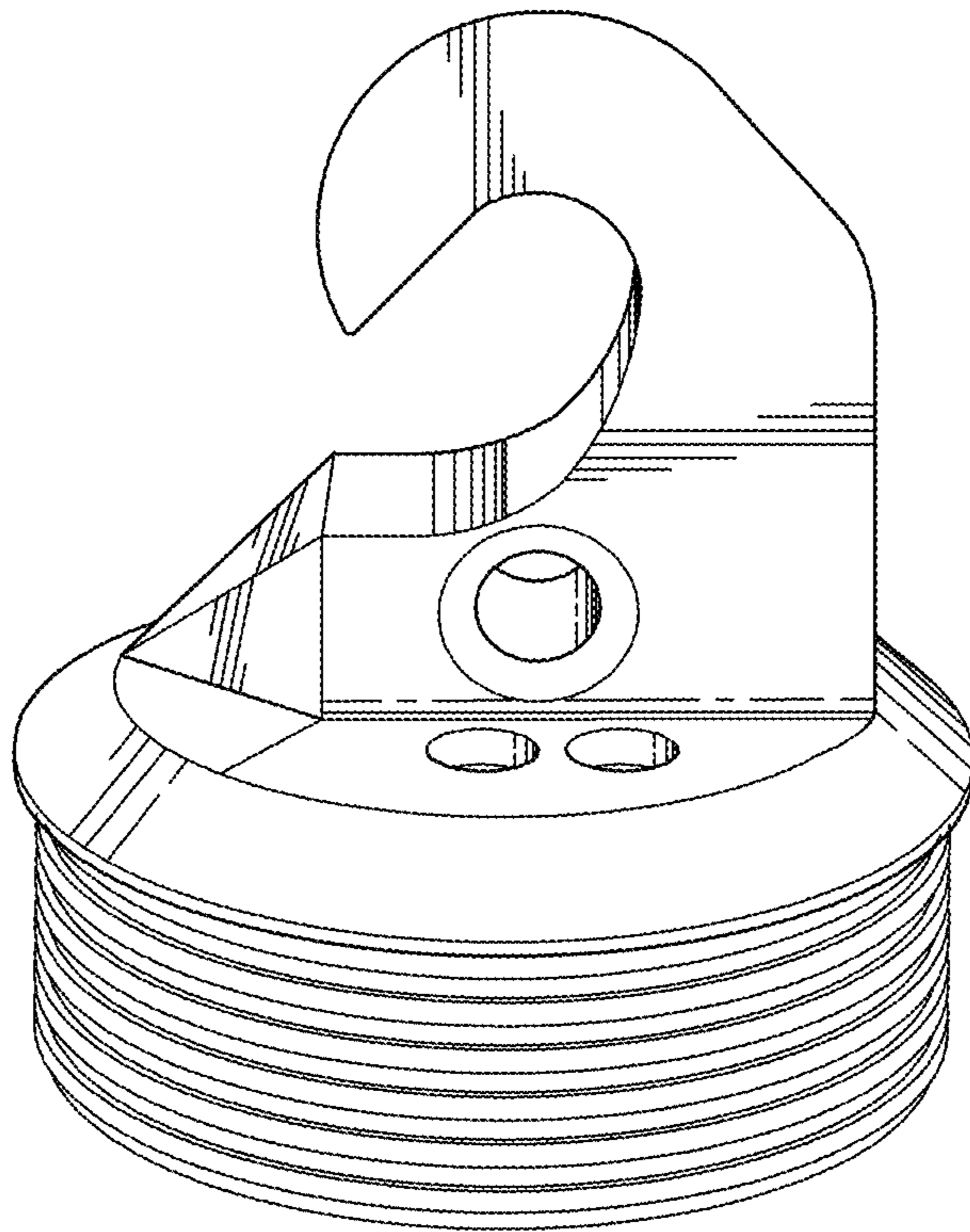


FIG. 6



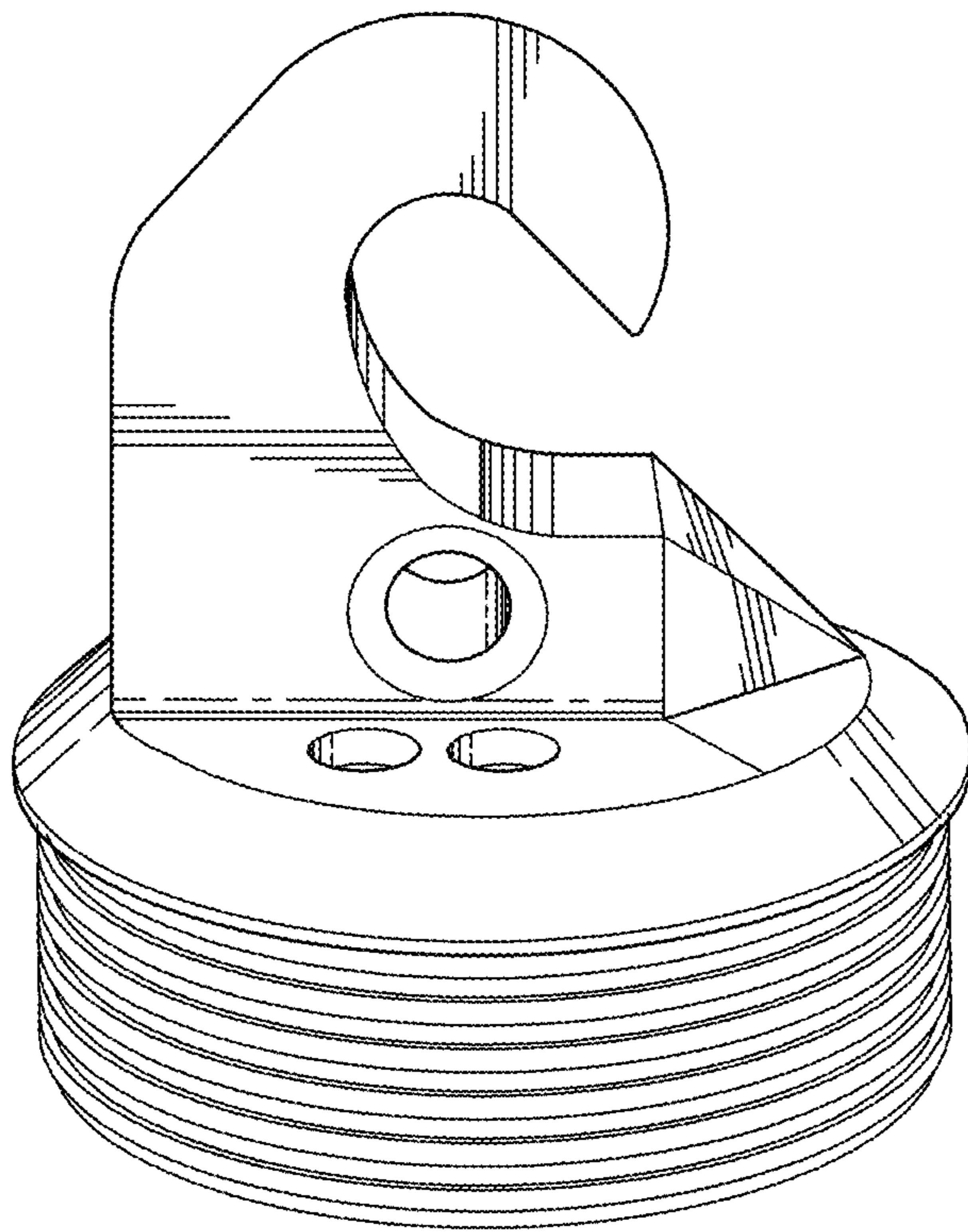


FIG. 7

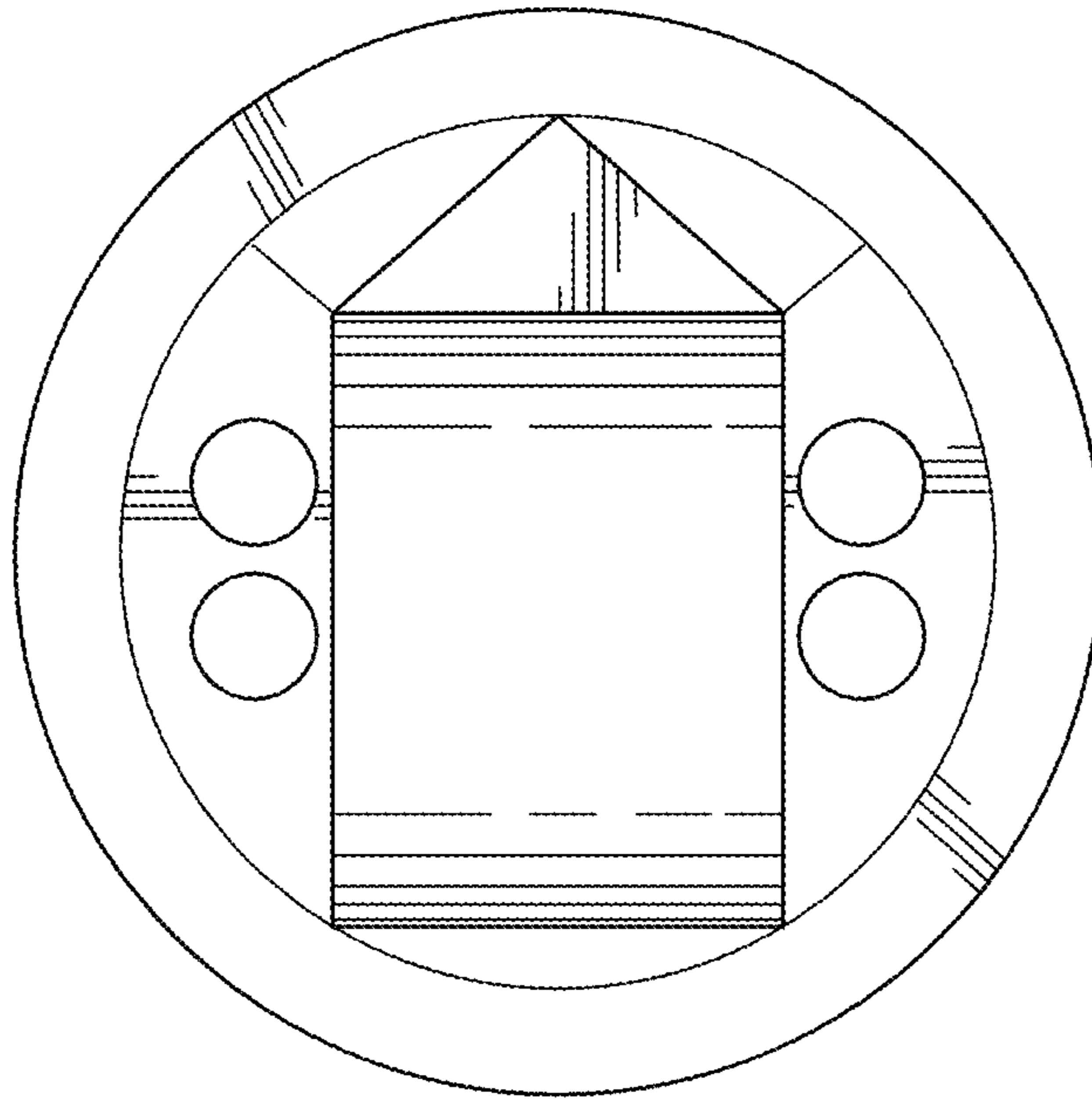


FIG. 8

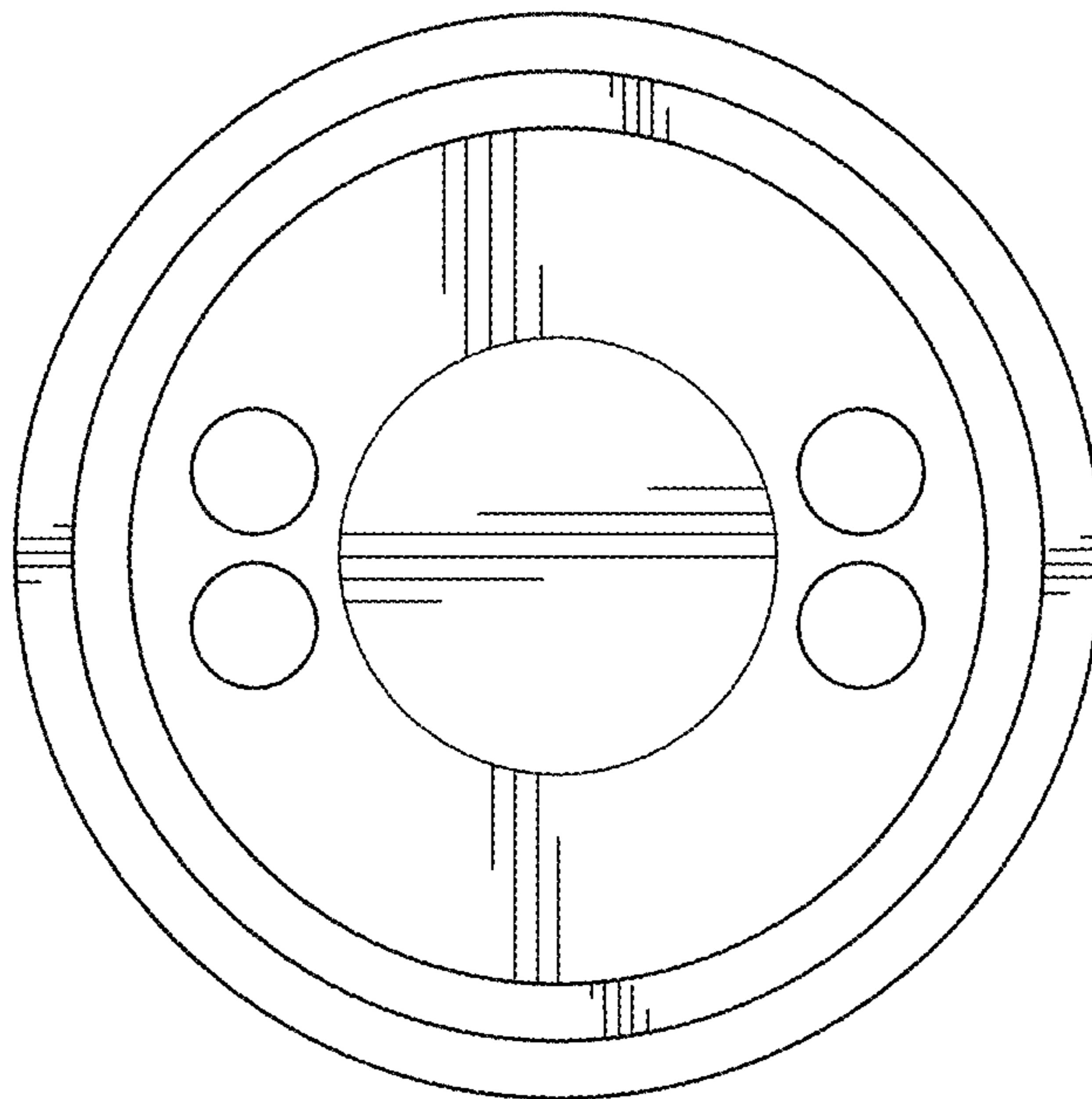


FIG. 9