



US00D944070S

(12) **United States Design Patent** (10) **Patent No.:** **US D944,070 S**  
**Le Mon et al.** (45) **Date of Patent:** **\*\* Feb. 22, 2022**

(54) **CLAMP**

FOREIGN PATENT DOCUMENTS

(71) Applicant: **Edwards Vacuum LLC**, Sanborn, NY (US)

CA 2136151 A1 5/1996  
CN 201070741 Y 6/2008

(Continued)

(72) Inventors: **Gregory Ryan Le Mon**, Sanborn, NY (US); **David Wren Dupre**, Sanborn, NY (US); **Jacob Henry Goeke**, Sanborn, NY (US); **Jeffrey Robert Schwab**, Sanborn, NY (US); **Mark Kollin Romeo**, Sanborn, NY (US)

OTHER PUBLICATIONS

“Chromag QR Seatpost Clamp”, Nov. 2, 2011, Amazon.com, site visited Oct. 6, 2021: <https://www.amazon.com/Chromag-Seat-QR-36-5mm-140-004-01/dp/B008FQ3KVM?th=1> (Year: 2011).\*

(Continued)

(73) Assignee: **Edwards Vacuum LLC**, Sanborn, NY (US)

*Primary Examiner* — Jack Reickel

*Assistant Examiner* — Michael A Kervin

(\*\*) Term: **15 Years**

(74) *Attorney, Agent, or Firm* — Theodore M. Magee; Westman, Champlin & Koehler, P.A.

(21) Appl. No.: **29/725,684**

(22) Filed: **Feb. 26, 2020**

(51) **LOC (13) Cl.** ..... **08-05**

(57) **CLAIM**

(52) **U.S. Cl.**  
USPC ..... **D8/72**

The ornamental design for a clamp, as shown and described.

(58) **Field of Classification Search**  
USPC ..... D14/253; D16/242; D8/70–72, 371–377,  
D8/380–381, 394–398  
CPC ..... F16B 2/12; F16B 2/185; F16L 23/036;  
F41G 1/35; F41G 11/003  
See application file for complete search history.

**DESCRIPTION**

FIG. 1 is a front perspective view of a clamp showing our new design;  
FIG. 2 is a back perspective view thereof;  
FIG. 3 is a front view thereof;  
FIG. 4 is a back view thereof;  
FIG. 5 is a right side view thereof, the left side being a mirror image;  
FIG. 6 is a top view thereof; and,  
FIG. 7 is a bottom view thereof.  
The dash-dash-dash lines shown in the drawings are included for purposes of illustrating portions of the clamp and form no part of the claimed design. The dash-dot-dash lines represent boundaries of the claimed design and do not form part of the claimed design.

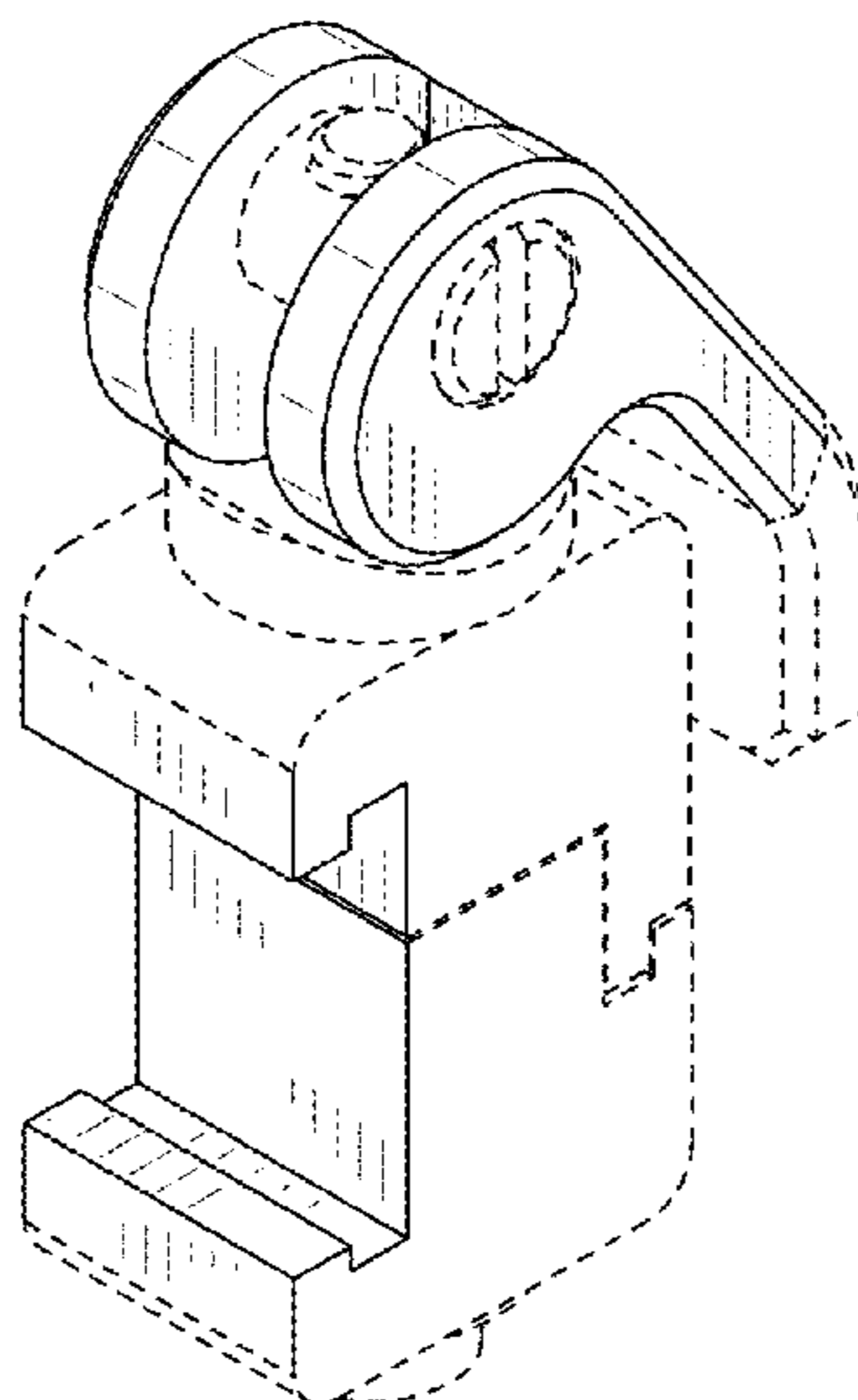
(56) **References Cited**

U.S. PATENT DOCUMENTS

1,545,221	A	7/1925	Watson	
2,301,833	A	11/1942	Van Sittert	
2,536,602	A	1/1951	Goett	
3,165,341	A	1/1965	Bums et al.	
3,928,904	A	12/1975	Jones	
D257,810	S *	1/1981	Wilson	D6/556
D261,292	S *	10/1981	Tong	D21/565
4,537,543	A	8/1985	Scott et al.	
4,871,278	A *	10/1989	Gerlach	F16B 2/12 403/338

(Continued)

**1 Claim, 3 Drawing Sheets**



(56)

References Cited

U.S. PATENT DOCUMENTS

4,872,709 A 10/1989 Stack  
 4,979,273 A 12/1990 Friedrickson, Jr. et al.  
 5,660,069 A 8/1997 Williams  
 5,865,560 A 2/1999 Mercat et al.  
 D483,431 S \* 12/2003 Squillante ..... D22/109  
 6,698,734 B1 3/2004 Wang  
 D492,977 S \* 7/2004 Squillante ..... D22/109  
 D505,177 S \* 5/2005 Fell ..... D22/110  
 6,966,104 B2 11/2005 Gregel et al.  
 D631,525 S \* 1/2011 Smith ..... D22/108  
 9,069,011 B2 6/2015 Walcher  
 9,903,517 B2 2/2018 Munetomo et al.  
 D816,848 S \* 5/2018 Cole ..... D24/184  
 D828,865 S \* 9/2018 Zeng ..... D16/242  
 D886,094 S \* 6/2020 Xu ..... D14/253  
 D911,807 S \* 3/2021 McClung ..... D8/72  
 D920,772 S \* 6/2021 McClung ..... D8/394  
 D920,773 S \* 6/2021 McClung ..... D8/394  
 D922,860 S \* 6/2021 Kao ..... D8/367  
 D930,892 S \* 9/2021 Galli ..... D26/142  
 2005/0058554 A1 \* 3/2005 Fahrenbach ..... F04D 29/601  
 417/313  
 2007/0014628 A1 1/2007 Klippel et al.  
 2009/0151137 A1 6/2009 Darling, III  
 2010/0207385 A1 8/2010 Nishimura  
 2010/0299088 A1 11/2010 Huang et al.  
 2011/0062975 A1 3/2011 Walcher  
 2011/0126693 A1 6/2011 Reyes  
 2011/0175270 A1 7/2011 Hagan et al.  
 2012/0161441 A1 \* 6/2012 Hall ..... F16L 23/036  
 285/412  
 2013/0263674 A1 10/2013 McKiernan et al.  
 2014/0203550 A1 \* 7/2014 Utsch ..... F16L 37/1205  
 285/308  
 2015/0030385 A1 1/2015 Bucknell  
 2015/0351779 A1 12/2015 Slagle  
 2016/0023335 A1 1/2016 Braun  
 2016/0096421 A1 4/2016 Facchinello et al.  
 2016/0157003 A1 \* 6/2016 Krol ..... H04R 1/08  
 248/229.22  
 2017/0350555 A1 12/2017 Jertson et al.  
 2018/0274572 A1 9/2018 Wang  
 2018/0340638 A1 \* 11/2018 Goeke ..... F16L 23/036  
 2019/0113161 A1 4/2019 Williamson  
 2020/0018334 A1 \* 1/2020 Le Mon ..... B25B 5/085

FOREIGN PATENT DOCUMENTS

CN 203238958 10/2013  
 DE 9102391 U1 5/1991  
 DE 29901803 U1 4/1999

DE 102013012313 A1 3/2014  
 EP 1559852 A1 8/2005  
 EP 1726403 A2 11/2006  
 GB 2392640 A1 3/2004  
 GB 2497990 A1 7/2013  
 HR P20040842 A2 7/2006  
 JP H03117107 12/1991  
 WO 2016025900 A1 2/2016

OTHER PUBLICATIONS

“Smallrig NATO Clamp—Quick Release”, Apr. 25, 2017, Amazon.com, site visited Oct. 6, 2021: <https://www.amazon.com/dp/B072B91DWG> (Year: 2017).\*

“Konsait Camera Quick Release Plate Clamp”, Jul. 28, 2017, Amazon.com, site visited Oct. 6, 2021: <https://www.amazon.com/Konsait-Camcorder-Monopod-Release-Insurance/dp/B07411HRF6> (Year: 2017).\*

“TACFUN 2Pack 3-Slot Quick Release Detach”, Feb. 6, 2018, Amazon.com, site visited Oct. 6, 2021: <https://www.amazon.com/TACFUN-5-Slot-Release-Detach-Picatinny/dp/B07C5M8VNS> (Year: 2018).\*

“Ulanzi ST-02S Aluminum Phone Tripod Mount”, Mar. 9, 2018, Amazon.com, site visited Oct. 6, 2021: <https://www.amazon.com/Aluminum-Horizontal-Universal-Adjustable-Smartphones/dp/B07BBNSGR6> (Year: {2018}) (Year: 2018).\*

“ISO-K 63-100 Double Claws”, May 24, 2018, Amazon.com, site visited Oct. 6, 2021: <https://www.amazon.com/GNB-KL-Group-63-100-Double/dp/B07D94ZNB4?th=1> (Year: 2018).\*

Prosecution history of corresponding U.S. Appl. No. 15/605,352 including: Office Action dated May 22, 2019; Amendment dated Aug. 22, 2019; Final Office Action dated Oct. 7, 2019; Amendment with RCE dated Jan. 7, 2020; Office Action dated Jan. 28, 2020.

Prosecution history of corresponding U.S. Appl. No. 16/032,734 including: Office Action dated Jun. 28, 2019.

British Examination Report dated Jan. 9, 2018 and British Search Report dated Jan. 8, 2018 for corresponding British application Serial No. GB1712464.5.

British Examination Report dated Jan. 29, 2019 and British Search Report dated Jan. 28, 2019 for corresponding British application Serial No. GB1819259.1.

Edwards Instruction Manual C100-07-8-ISO Flanges and Clamps. In particular pp. 4 and 9.

PCT International Search Report and Written Opinion dated Aug. 29, 2018 for corresponding PCT application Serial No. PCT/US2018/034341.

PCT International Search Report and Written Opinion dated Dec. 18, 2019 for corresponding PCT application Serial No. PCT/IB2019/055880.

\* cited by examiner

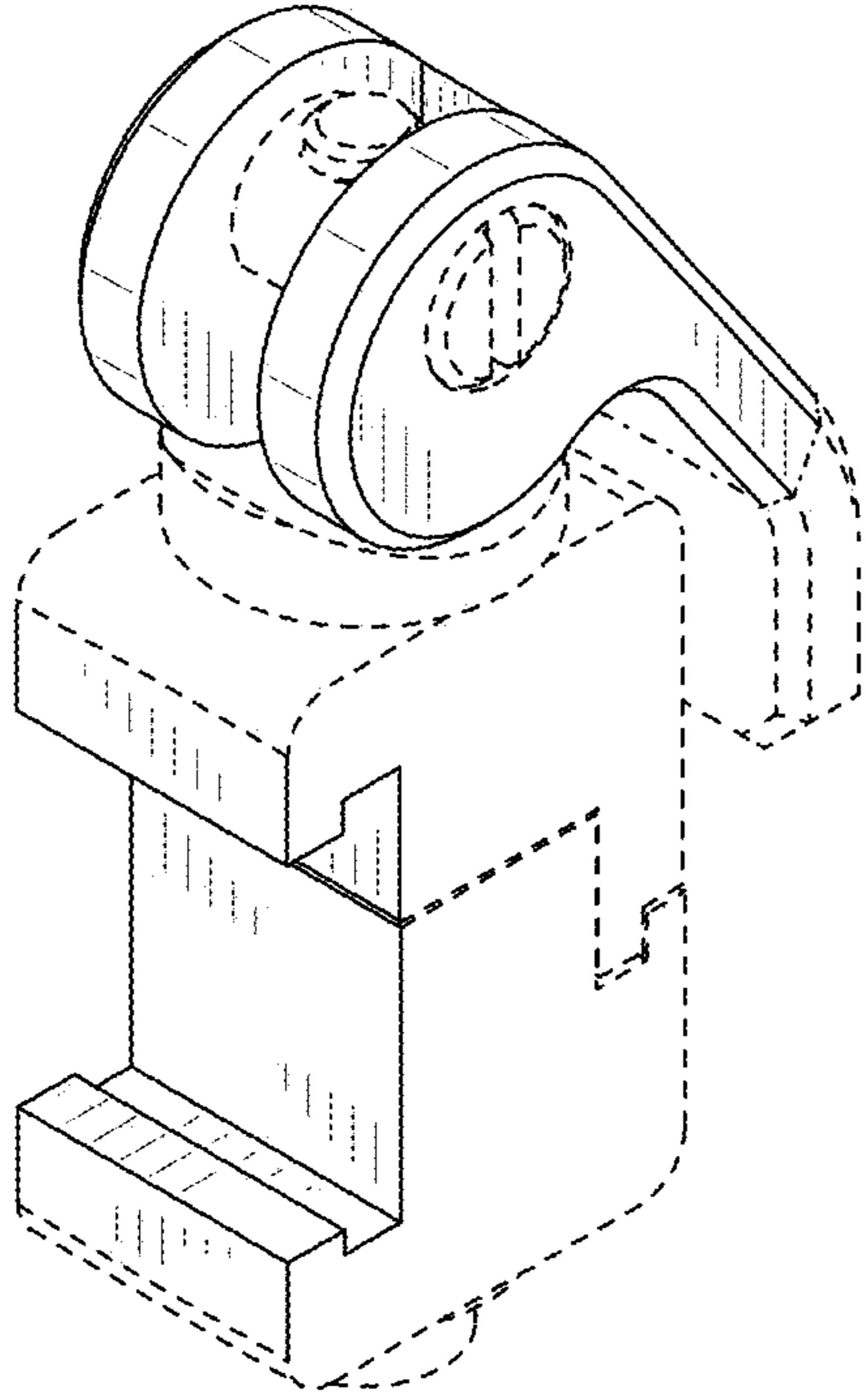


Fig. 1

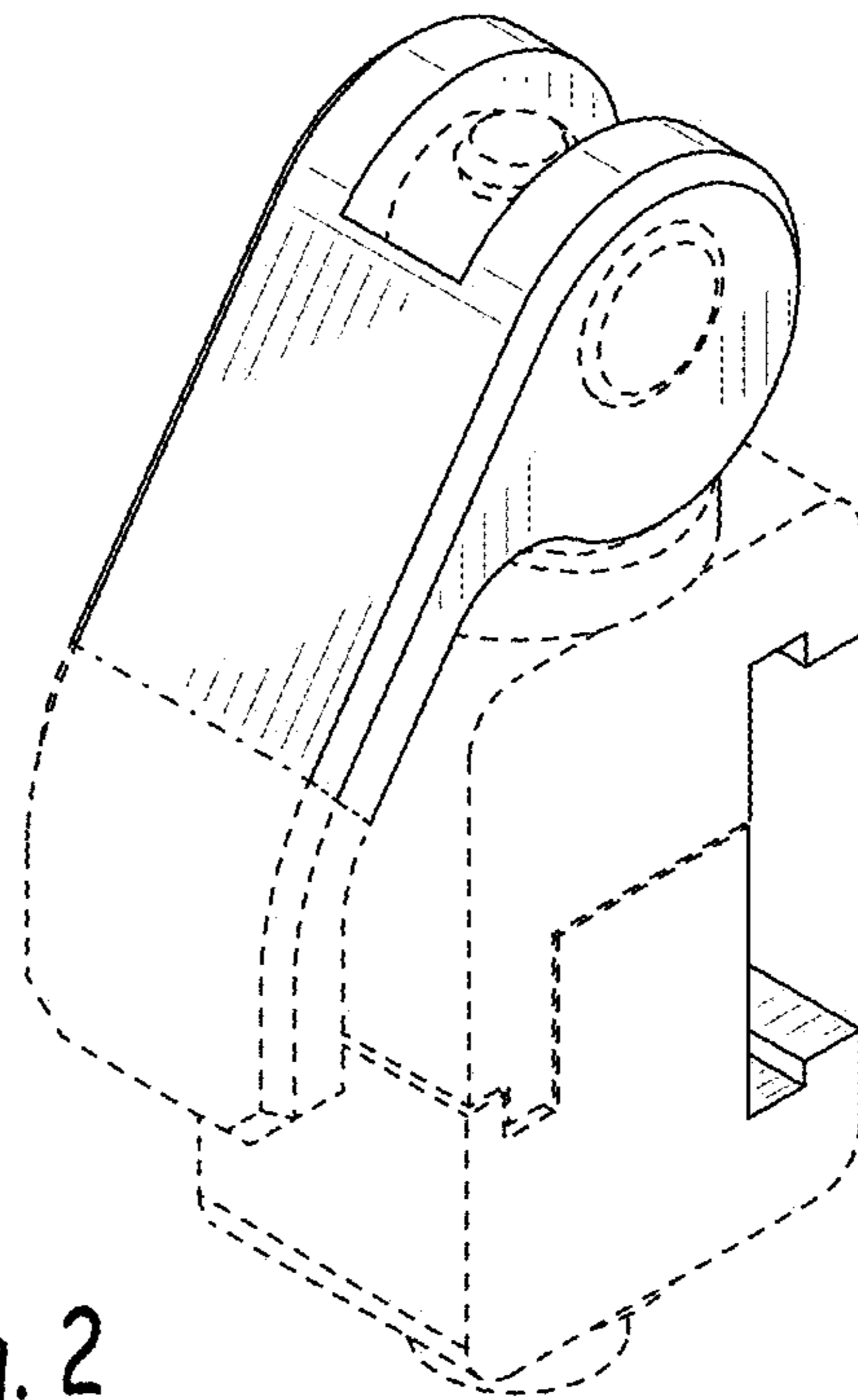


Fig. 2

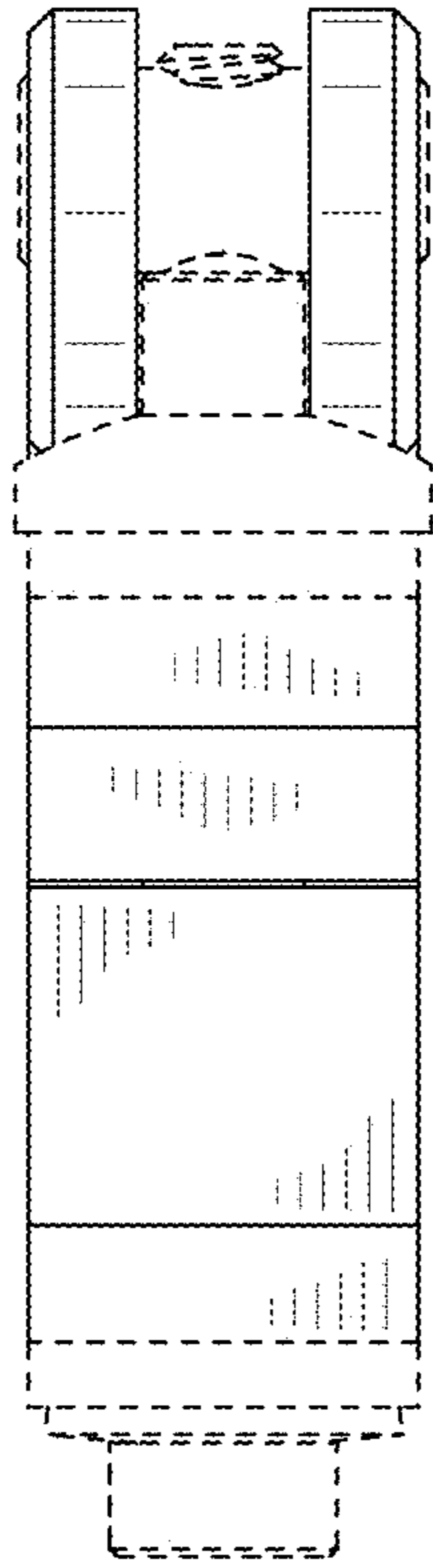


Fig. 3

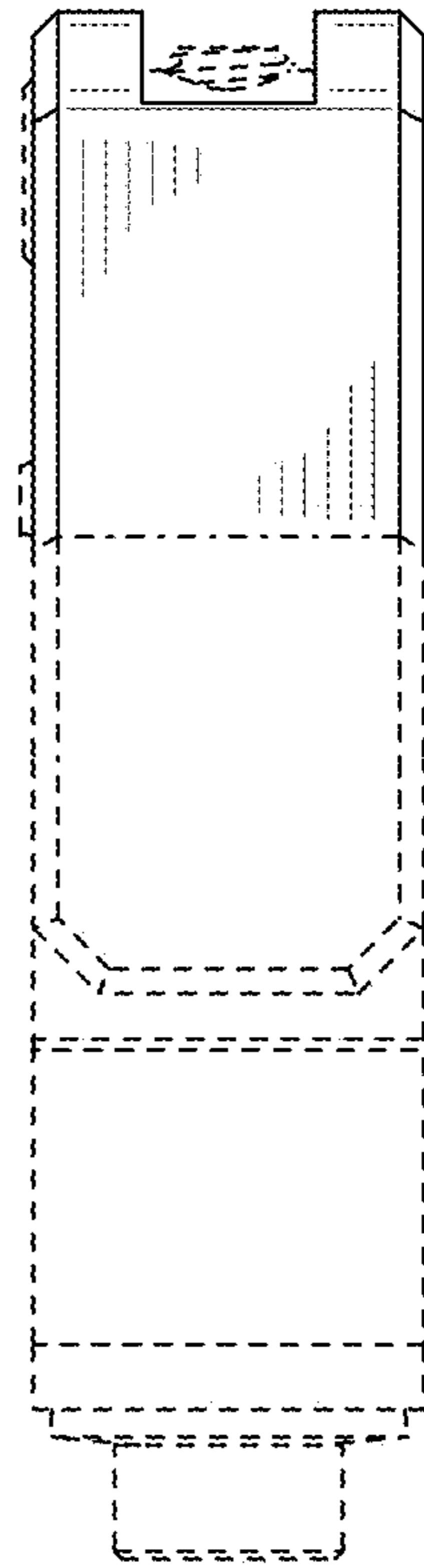


Fig. 4

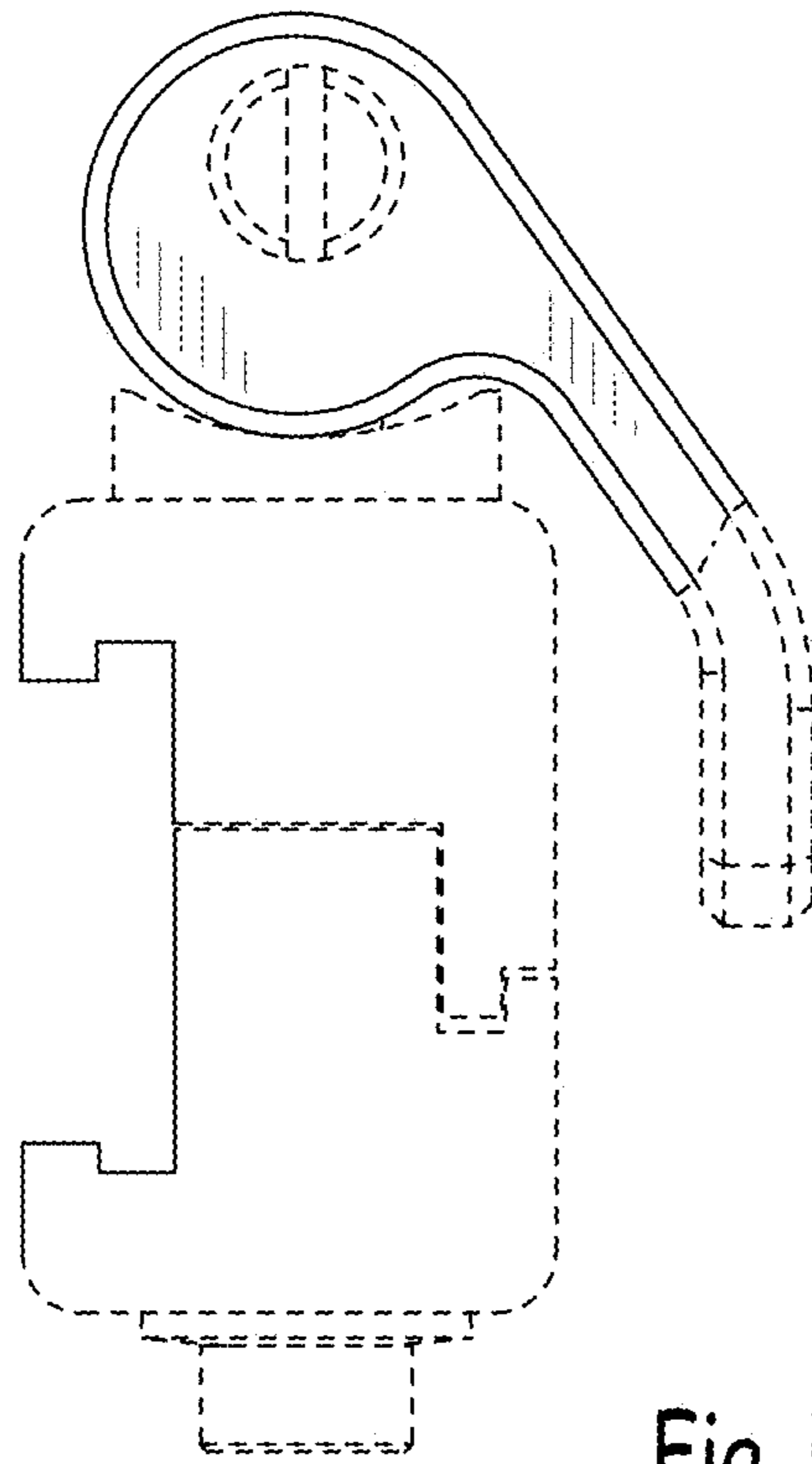


Fig. 5

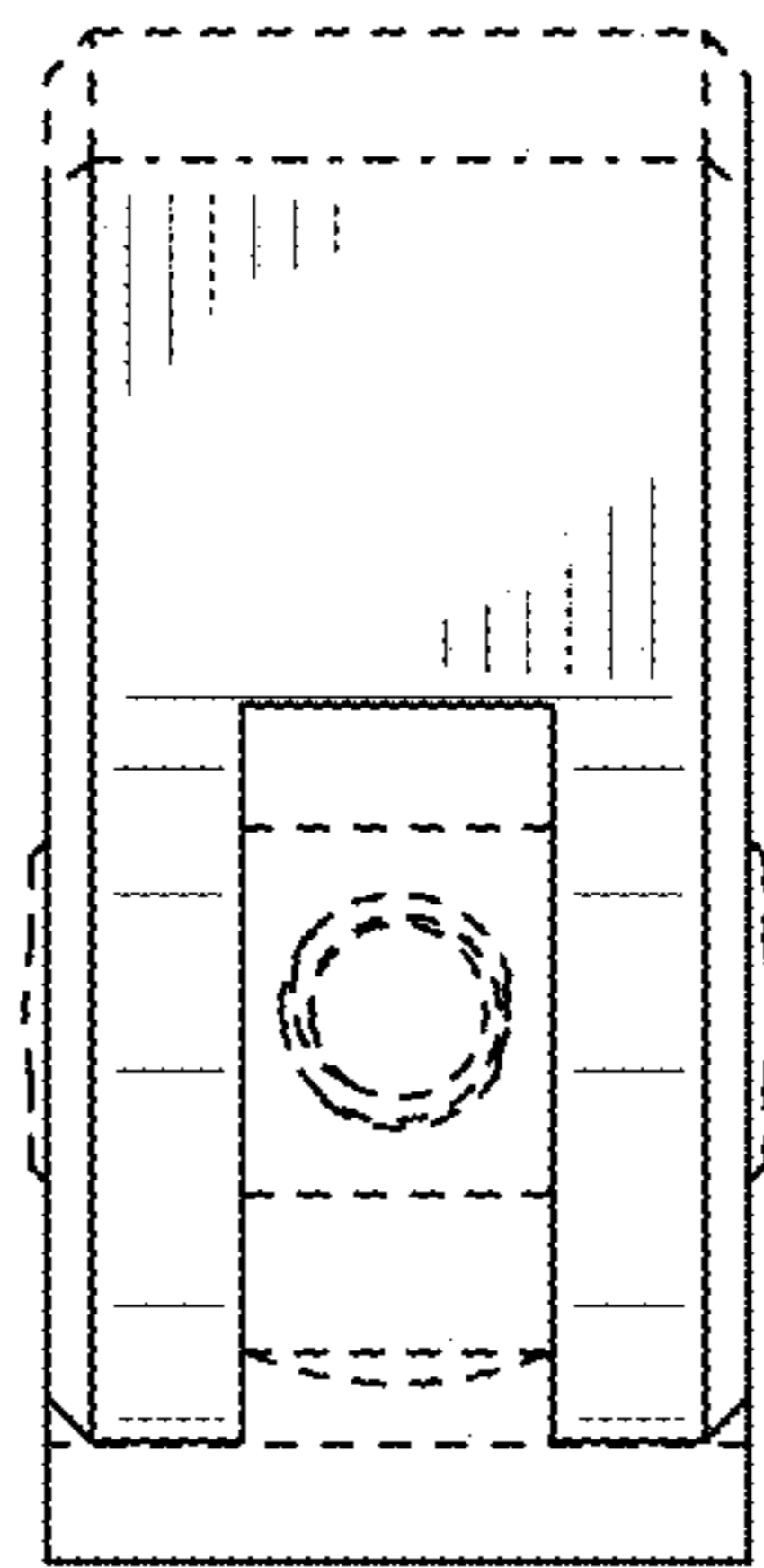


Fig. 6

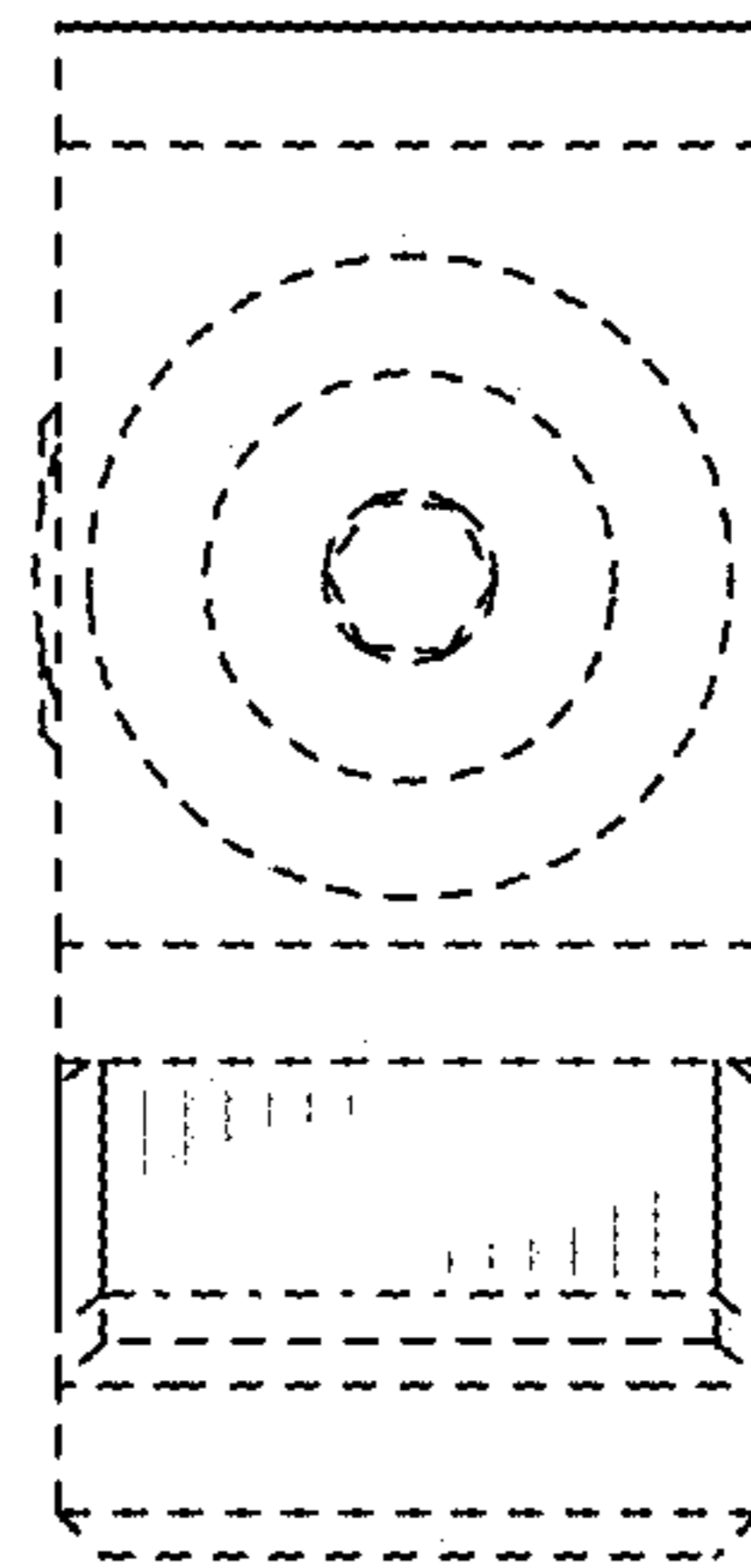


Fig. 7