



US00D944068S

(12) **United States Design Patent** (10) **Patent No.:** **US D944,068 S**
Ellice et al. (45) **Date of Patent:** **** Feb. 22, 2022**

(54) **ROTARY POWER TOOL CHUCK**
(71) Applicant: **MILWAUKEE ELECTRIC TOOL CORPORATION**, Brookfield, WI (US)
(72) Inventors: **Joseph H. Ellice**, Greenfield, WI (US);
Ryan A. Dedrickson, Sussex, WI (US);
Cole A. Conrad, Wauwatosa, WI (US);
Mayela Schoonover, Waukesha, WI (US)
(73) Assignee: **MILWAUKEE ELECTRIC TOOL CORPORATION**, Brookfield, WI (US)
(**) Term: **15 Years**
(21) Appl. No.: **29/724,535**
(22) Filed: **Feb. 17, 2020**

D434,629 S * 12/2000 Long D15/140
D461,696 S * 8/2002 Chunn D15/140
D461,697 S * 8/2002 Chunn D15/140
D462,249 S * 9/2002 Chunn D15/140
6,517,088 B1 2/2003 Röhm
D472,443 S * 4/2003 Chunn D8/70
D474,387 S * 5/2003 Chunn D15/140
6,581,942 B2 6/2003 Röhm
(Continued)

FOREIGN PATENT DOCUMENTS

DE 7309760 6/1973
DE 3540223 A1 5/1987
(Continued)

Primary Examiner — Darlington Ly
(74) *Attorney, Agent, or Firm* — Michael Best & Friedrich LLP

Related U.S. Application Data

(62) Division of application No. 29/639,893, filed on Mar. 9, 2018, now Pat. No. Des. 878,887.
(51) **LOC (13) Cl.** **08-05**
(52) **U.S. Cl.**
USPC **D8/70**
(58) **Field of Classification Search**
USPC D8/62, 68-70; D15/138-140
CPC B23B 31/1215; B23B 31/123; B23B 31/1253
See application file for complete search history.

(57) **CLAIM**

We claim the ornamental design for a rotary power tool chuck, as shown and described.

DESCRIPTION

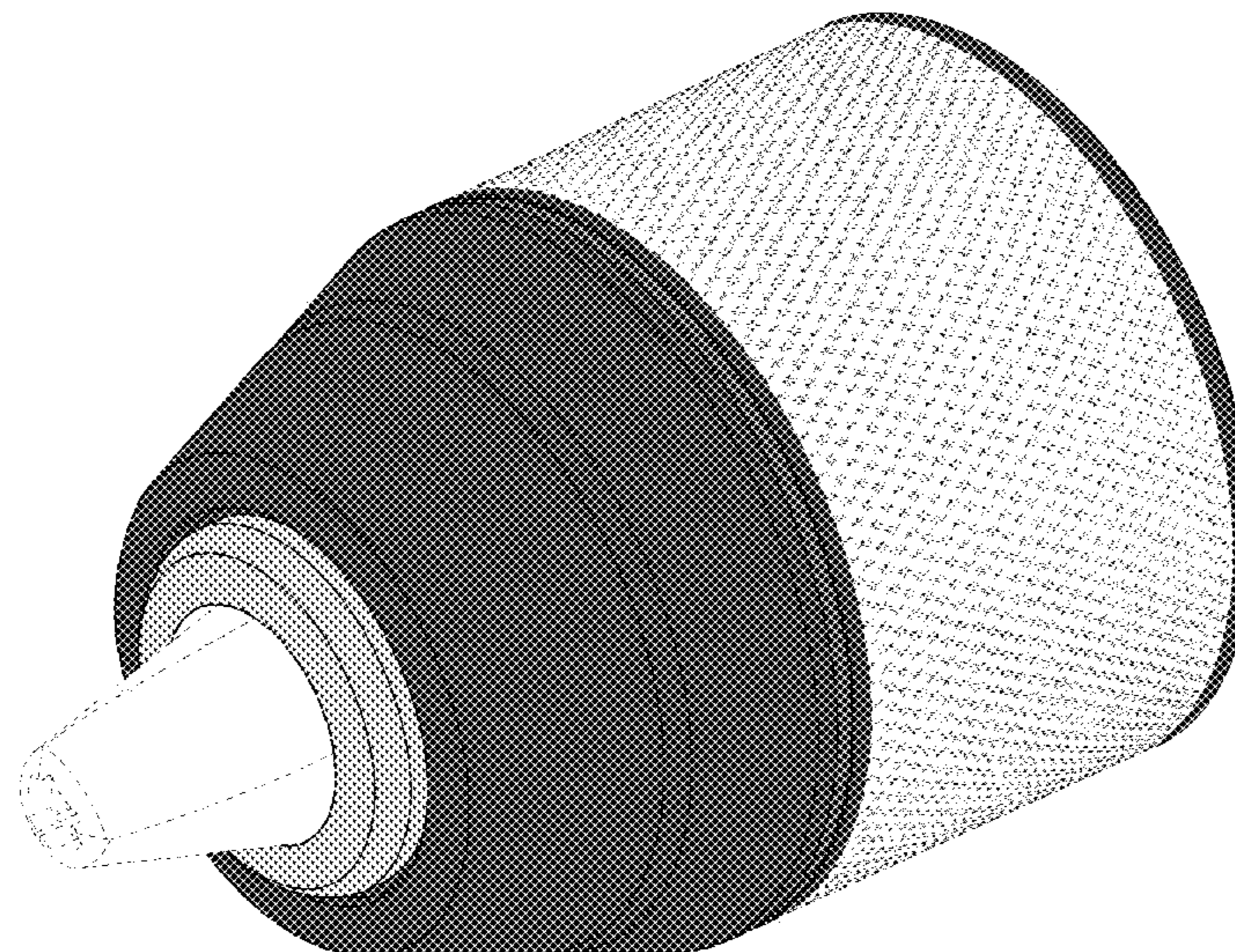
The patent or application file contains at least one drawing executed in color. Copies of this patent or patent application publication with color drawings will be provided by the Office upon request and payment of the necessary fee.
FIG. 1 is a front perspective view of a rotary power tool chuck embodying our new design;
FIG. 2 is a right side elevation view thereof;
FIG. 3 is a left side elevation view thereof;
FIG. 4 is a front elevation view thereof;
FIG. 5 is a rear elevation view thereof;
FIG. 6 is a top plan view thereof; and,
FIG. 7 is a bottom plan view thereof.
The broken lines in the drawings illustrate portions of the rotary power tool chuck that form no part of the claimed design.

(56) **References Cited**

U.S. PATENT DOCUMENTS

3,119,274 A 1/1964 Short
D259,855 S * 7/1981 Derbyshire D8/68
4,602,799 A 7/1986 Röhm
5,829,761 A 11/1998 Röhm
5,934,689 A 8/1999 Montjoy
D423,527 S * 4/2000 Sakamaki D15/140
D426,840 S * 6/2000 Sakamaki D15/140
D433,909 S * 11/2000 Long D15/140

1 Claim, 4 Drawing Sheets
(3 of 4 Drawing Sheet(s) Filed in Color)



(56)

References Cited

U.S. PATENT DOCUMENTS

D514,416	S *	2/2006	Watson	D15/140
D540,645	S *	4/2007	Yaksich	D15/138
D542,815	S *	5/2007	Concari	D15/140
D555,181	S *	11/2007	Hu	D15/140
D562,099	S *	2/2008	Hu	D8/70
D565,376	S *	4/2008	Hu	D8/70
D565,377	S *	4/2008	Hu	D8/70
D567,268	S *	4/2008	Mack	D15/140
D580,727	S *	11/2008	Mack	D8/70
D590,228	S *	4/2009	Aglassinger	D8/70
D593,390	S *	6/2009	Sakamaki	D15/140
7,845,650	B2 *	12/2010	Mack	B23B 31/1215 279/60
8,708,346	B2	4/2014	Harrison et al.		
D735,007	S *	7/2015	Schenk	D8/70
D735,549	S *	8/2015	Schenk	D8/70
9,205,497	B2	12/2015	Harrison et al.		
2003/0020242	A1	1/2003	Mack		
2008/0143062	A1 *	6/2008	Mack	B23B 31/1215 279/62
2010/0127463	A1 *	5/2010	Zhou	B23B 31/123 279/61
2010/0295257	A1	11/2010	Mack		
2015/0251252	A1	9/2015	Schenk		
2016/0236283	A1	8/2016	Schenk et al.		

FOREIGN PATENT DOCUMENTS

DE	20220597	U1	11/2003
DE	20312517	U1	1/2004
DE	102014108723	A1	12/2015
WO	2017024544	A1	2/2017

* cited by examiner

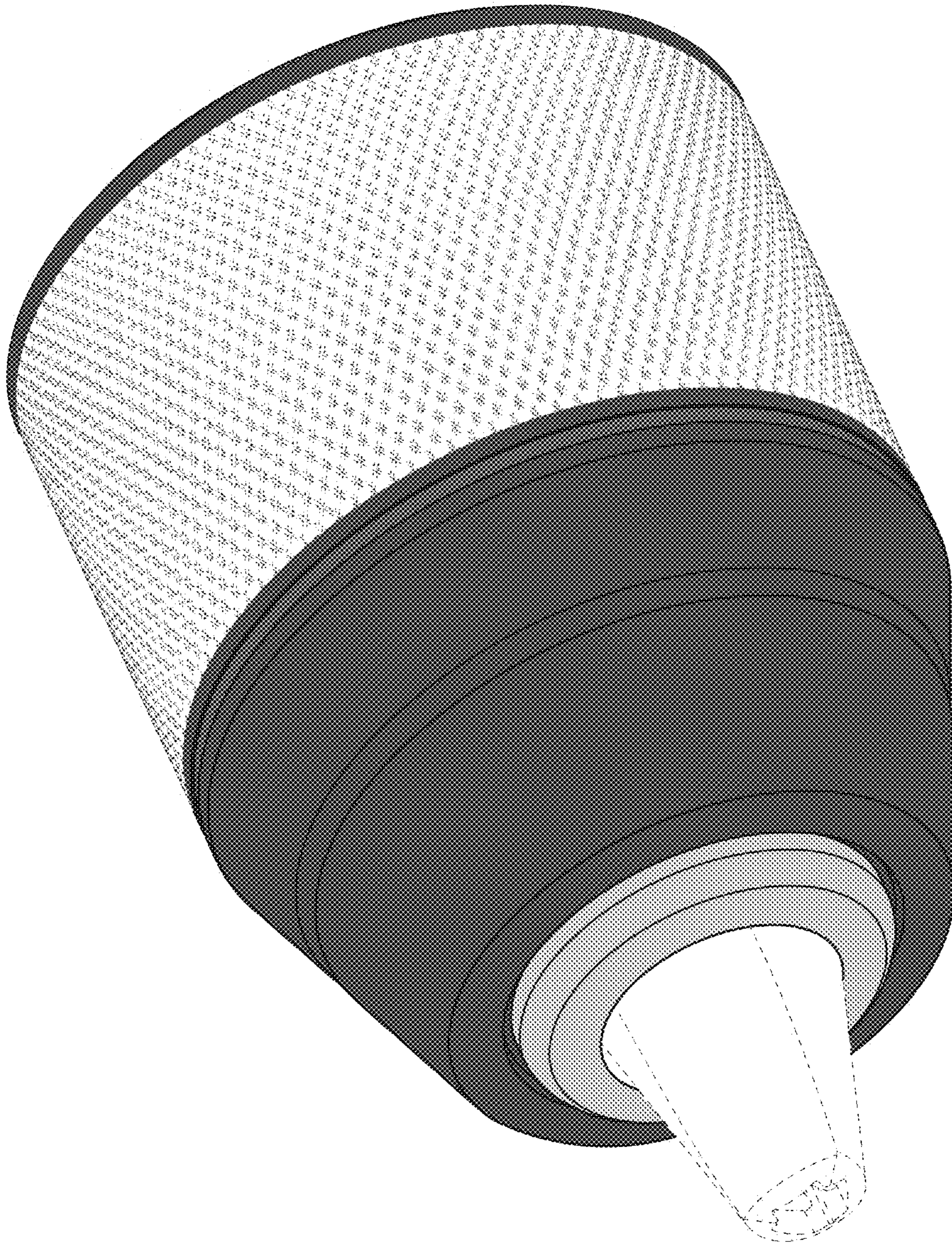
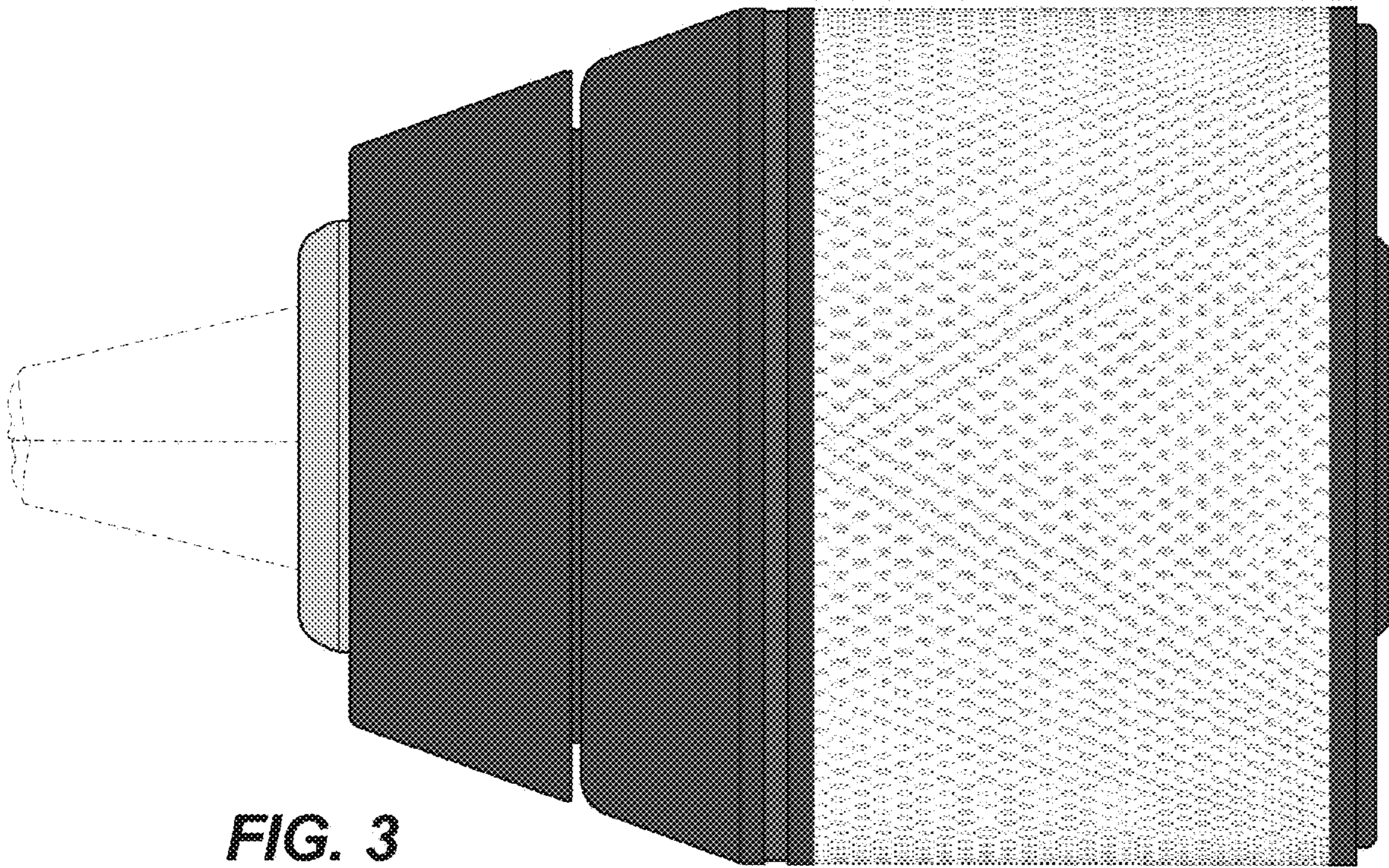
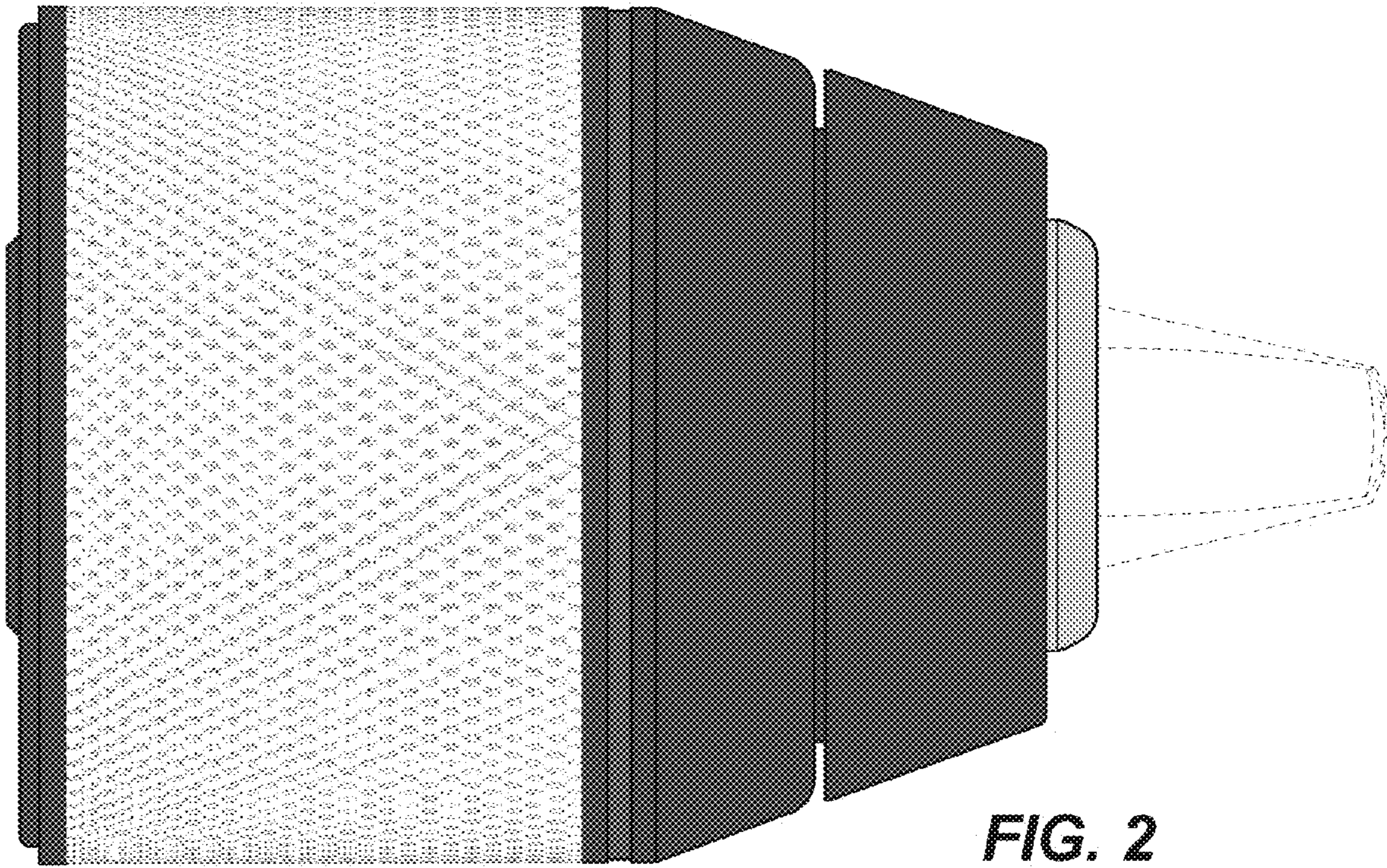


FIG. 1



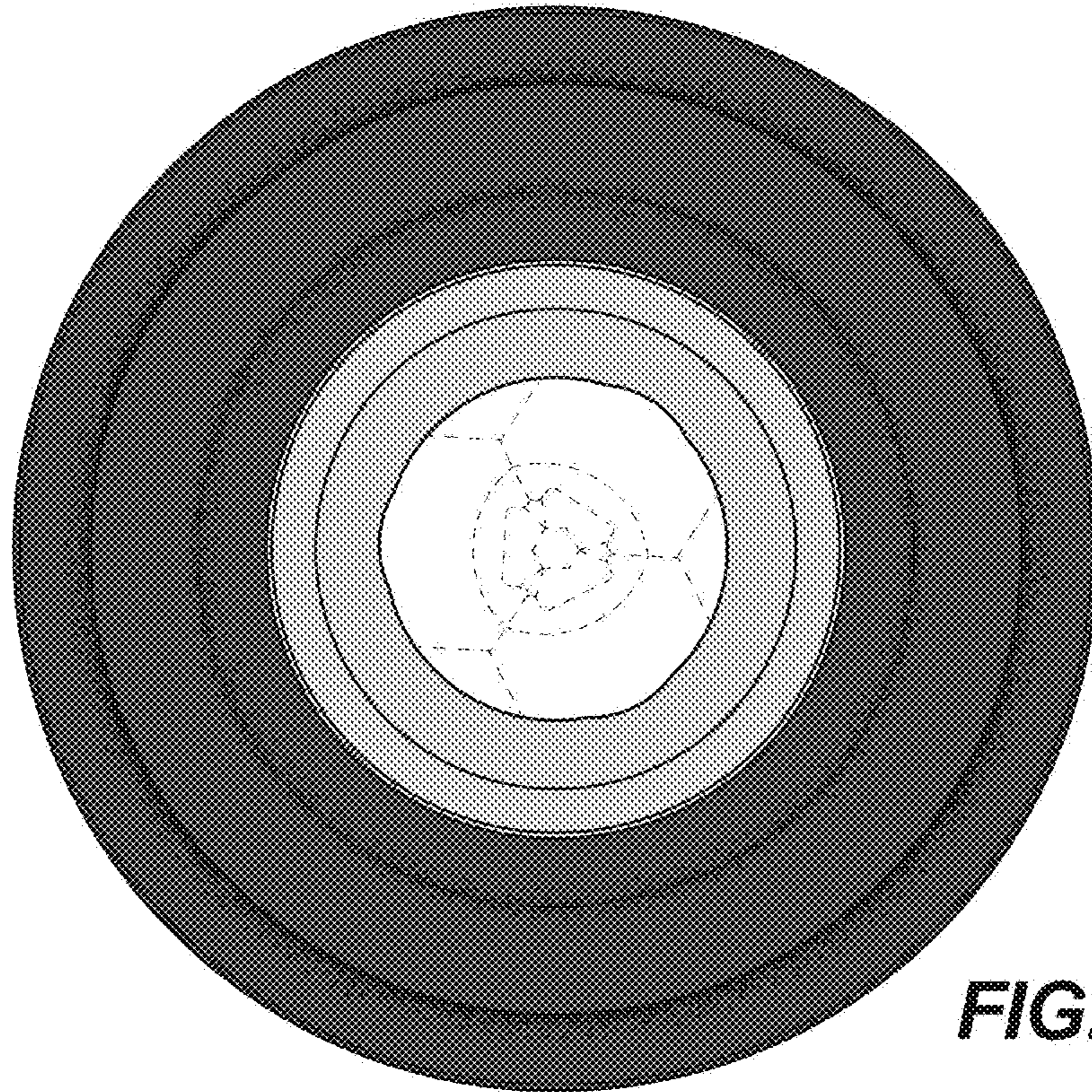


FIG. 4

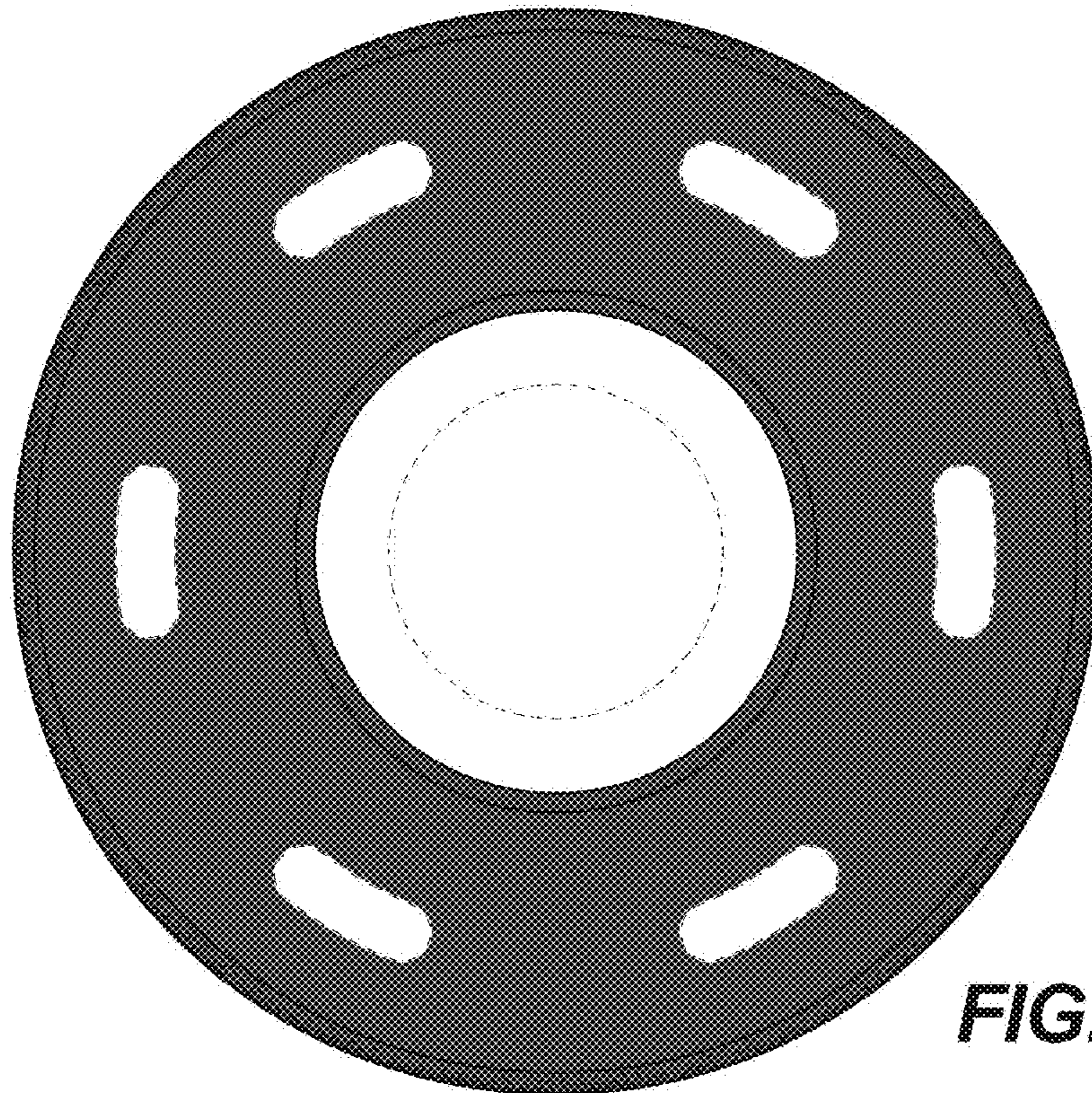


FIG. 5

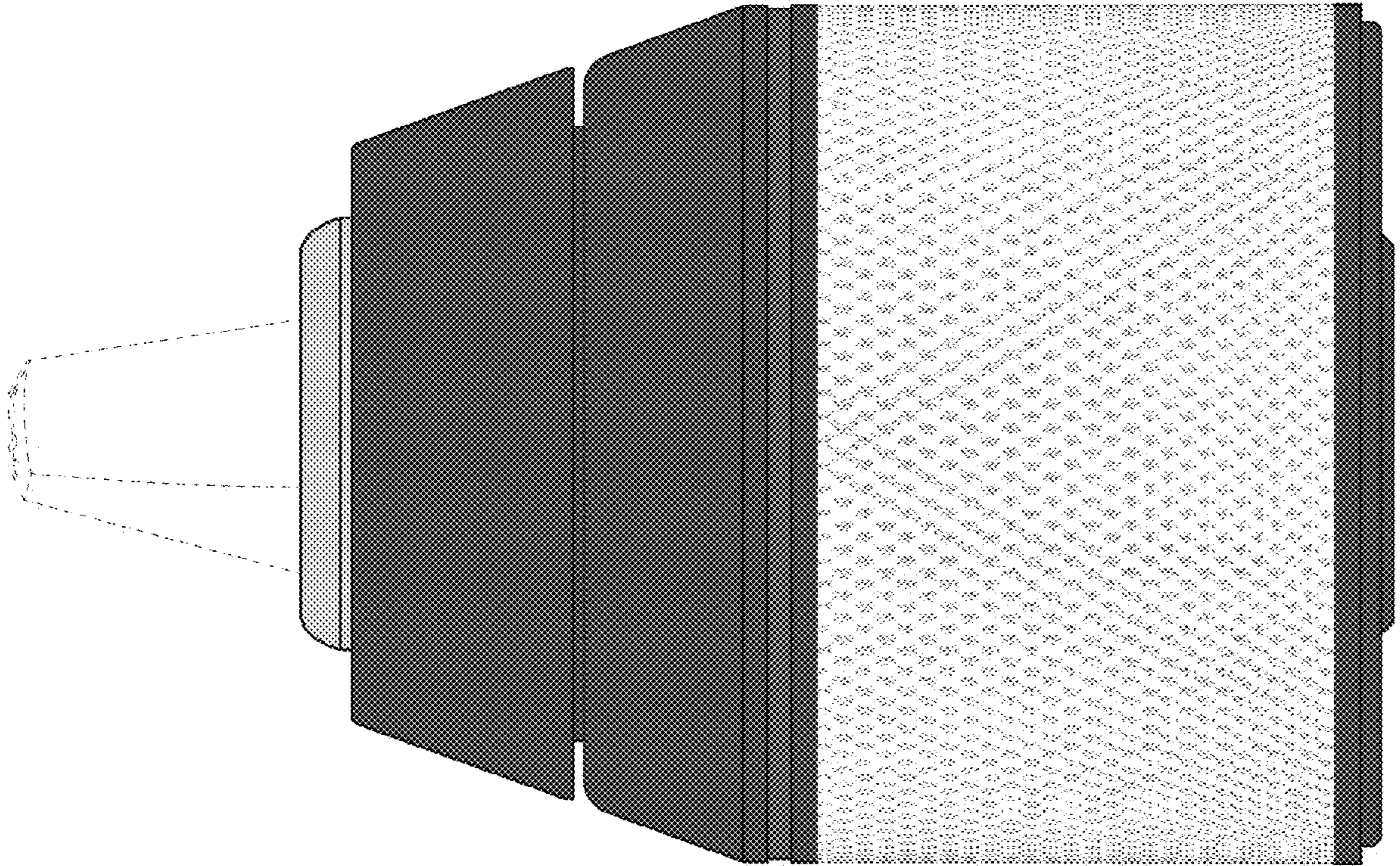


FIG. 6

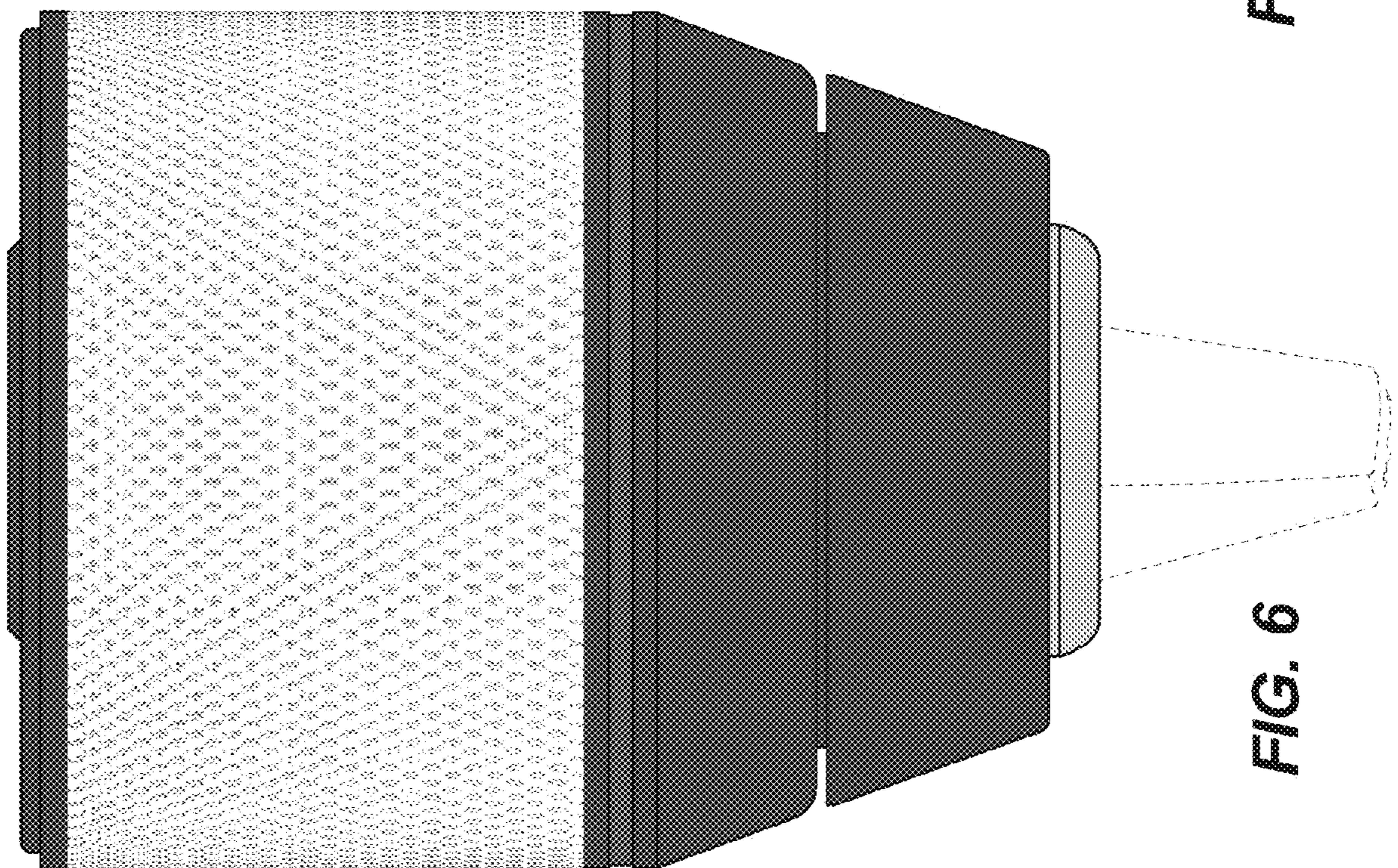


FIG. 7