

US00D944067S

(12) **United States Design Patent** (10) **Patent No.:** **US D944,067 S**
Simonin (45) **Date of Patent:** **** Feb. 22, 2022**

(54) **NAIL GUN**

(71) Applicant: **ILLINOIS TOOL WORKS INC.,**
Glenview, IL (US)

(72) Inventor: **Jean-Luc Simonin,** Barcelonne (FR)

(73) Assignee: **ILLINOIS TOOL WORKS INC.,**
Glenview, IL (US)

(**) Term: **15 Years**

(21) Appl. No.: **29/733,351**

(22) Filed: **May 1, 2020**

(30) **Foreign Application Priority Data**

Nov. 6, 2019 (EM) 007196738-0001

(51) **LOC (13) Cl.** **08-05**

(52) **U.S. Cl.**
USPC **D8/68**

(58) **Field of Classification Search**
USPC D8/61-70
CPC .. B25C 1/001; B25C 1/04; B25C 1/06; B25C
1/041; B25C 1/047
See application file for complete search history.

(56) **References Cited**

U.S. PATENT DOCUMENTS

D307,234 S	4/1990	Fushiya	
D314,320 S	2/1991	Brosius	
D332,561 S	1/1993	Fushiya	
5,180,091 A *	1/1993	Ota	B25C 5/1689 227/120
D338,606 S	8/1993	Oda	
D338,819 S	8/1993	Ohkochi	
D358,749 S	5/1995	Matsunaga	
D387,963 S	12/1997	Clark	
D420,878 S	2/2000	Li	
D432,883 S	10/2000	Wingert	

(Continued)

OTHER PUBLICATIONS

“The 5 Best Nail Guns (2021 Review).” This Old House., Dec. 9, 2020 [online], [retrieved on Oct. 1, 2021]. Retrieved from the Internet <URL: <https://www.thisoldhouse.com/tools/21565973/best-nail-guns>>.*

(Continued)

Primary Examiner — Darlington Ly

(74) *Attorney, Agent, or Firm* — Thompson Hine LLP

(57) **CLAIM**

The ornamental design for a nail gun, as shown and described.

DESCRIPTION

FIG. 1 is a perspective view of a nail gun in accordance to a first embodiment of my new design; FIG. 2 is top plan view thereof; FIG. 3 is a left side elevation view thereof; FIG. 4 is a right side elevation view thereof; FIG. 5 is a bottom plan view thereof; FIG. 6 is a rear elevation view thereof; and FIG. 7 is a front elevation view thereof.

FIG. 8 is a perspective view of a nail gun in accordance to a second embodiment of my new design; FIG. 9 is top plan view thereof; FIG. 10 is a left side elevation view thereof; FIG. 11 is a right side elevation view thereof; FIG. 12 is a bottom plan view thereof; FIG. 13 is a rear elevation view thereof; and, FIG. 14 is a front elevation view thereof.

The solid black surface shading and gray surface shading in FIGS. 1-7 represents a contrast in appearance. The stippling in FIGS. 8-14 represents a contrast in appearance as compared to non-stippled portions. The broken lines in FIGS. 8-14 represent environmental structure and form no part of the claimed design.

1 Claim, 14 Drawing Sheets



(56)

References Cited

U.S. PATENT DOCUMENTS

D435,769 S * 1/2001 Etter D8/68
 D438,444 S 3/2001 Tor
 D468,611 S 1/2003 Liou
 D472,780 S 4/2003 Matsuoka
 D475,597 S * 6/2003 Arai D8/68
 D485,063 S 1/2004 Devane
 D501,778 S 2/2005 Liang
 D507,468 S 7/2005 Liang
 6,913,180 B2 * 7/2005 Schuster B25C 1/005
 227/109
 D512,621 S * 12/2005 Thomas D8/69
 D512,622 S * 12/2005 Thomas D8/69
 D514,412 S * 2/2006 Lawrence D8/68
 D515,384 S 2/2006 Hutchings
 D516,400 S 3/2006 Yang
 D531,475 S 11/2006 Li
 D552,954 S * 10/2007 Buck D8/69
 D553,931 S * 10/2007 Buck D8/68
 D559,081 S 1/2008 Myers
 D565,396 S 4/2008 Wipf
 D567,616 S 4/2008 Kuo
 D572,556 S * 7/2008 Leasure D8/69
 D633,354 S * 3/2011 Buck D8/69
 D658,024 S 4/2012 Checchi
 8,162,073 B2 * 4/2012 Krondorfer B25C 5/15
 173/1
 8,174,274 B2 * 5/2012 Lawrence G01N 27/24
 324/686
 D677,544 S * 3/2013 Jerabek D8/68

D678,027 S * 3/2013 Jerabek D8/68
 D680,400 S * 4/2013 Jerabek D8/68
 D717,625 S * 11/2014 Martone D8/68
 D843,803 S * 3/2019 Cooper D8/68
 D852,014 S * 6/2019 Kirkpatrick D8/68
 D852,015 S * 6/2019 Kirkpatrick D8/68
 10,723,005 B2 * 7/2020 Meyer B25C 1/06
 D911,139 S * 2/2021 Concari D8/68
 D912,488 S * 3/2021 Kirkpatrick D8/68
 D920,757 S * 6/2021 Concari D8/68
 2010/0206933 A1 * 8/2010 Wu B25C 1/08
 227/8
 2014/0231485 A1 * 8/2014 Bauer B25C 1/04
 227/8

OTHER PUBLICATIONS

Sarah Jones. "Best Air Framing Nailer for 2020: Reviews of 8 Pneumatic Nail Guns." This DIY Hammer, Dec. 6, 2019 [online], [retrieved on Oct. 1, 2021]. Retrieved from the Internet <URL: <https://thedihammer.com/best-framing-nailer-reviews/>>.*
 Rob Robillard. "Best 18 Gauge Cordless Brad Nailer." Tool Box Buzz, Aug. 15, 2019 [online], [retrieved on Oct. 1, 2021]. Retrieved from the Internet <URL: <https://www.toolboxbuzz.com/cordless-tools/best-18-gauge-cordless-brad-nailer/>>.*
 Martin Smith. "Top 9 Best Brad Nailers Reviewed Mar. 2019—Buyer's Guide." Top Best Reviews, Apr. 15, 2018 [online], [retrieved on Oct. 1, 2021]. Retrieved from the Internet <URL: <https://topbestreviewss.com/tools/best-brad-nailers-reviewed/>>.*

* cited by examiner



Fig. 1

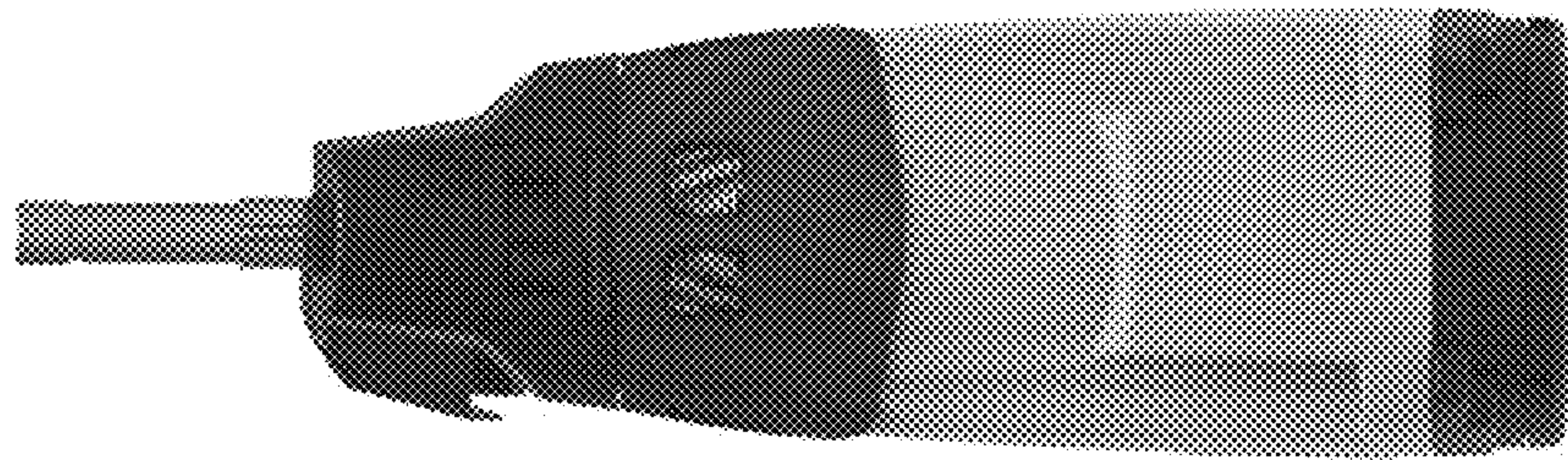


Fig. 2



Fig. 3



Fig. 4

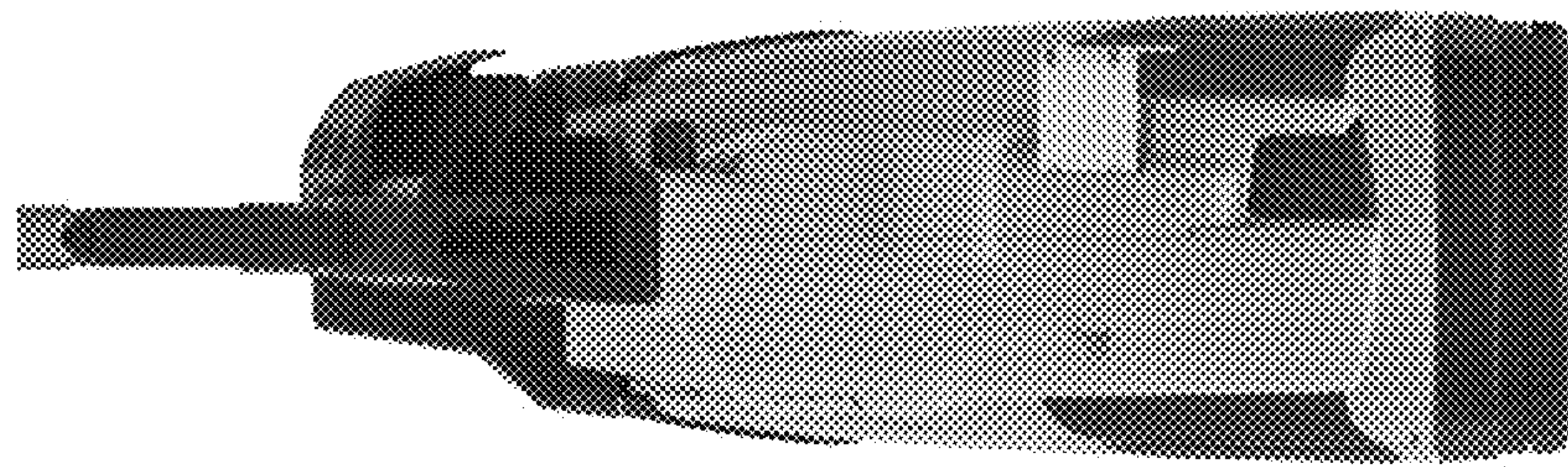


Fig. 5

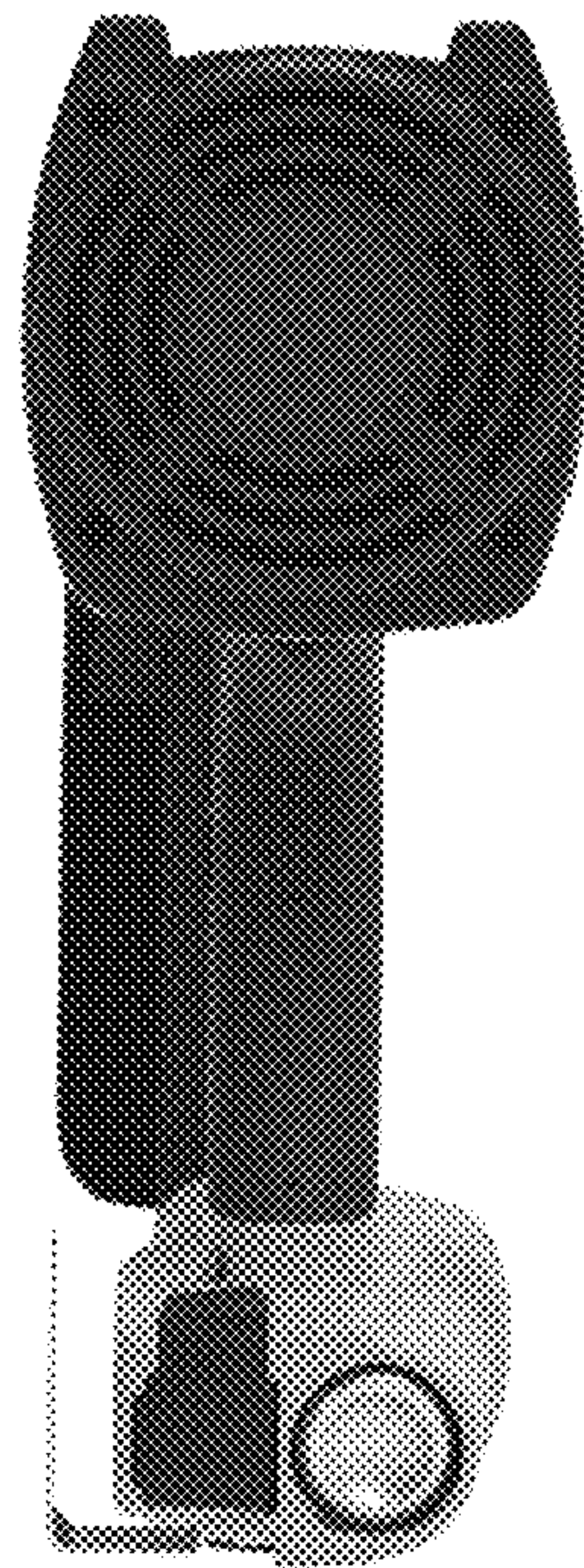


Fig. 6

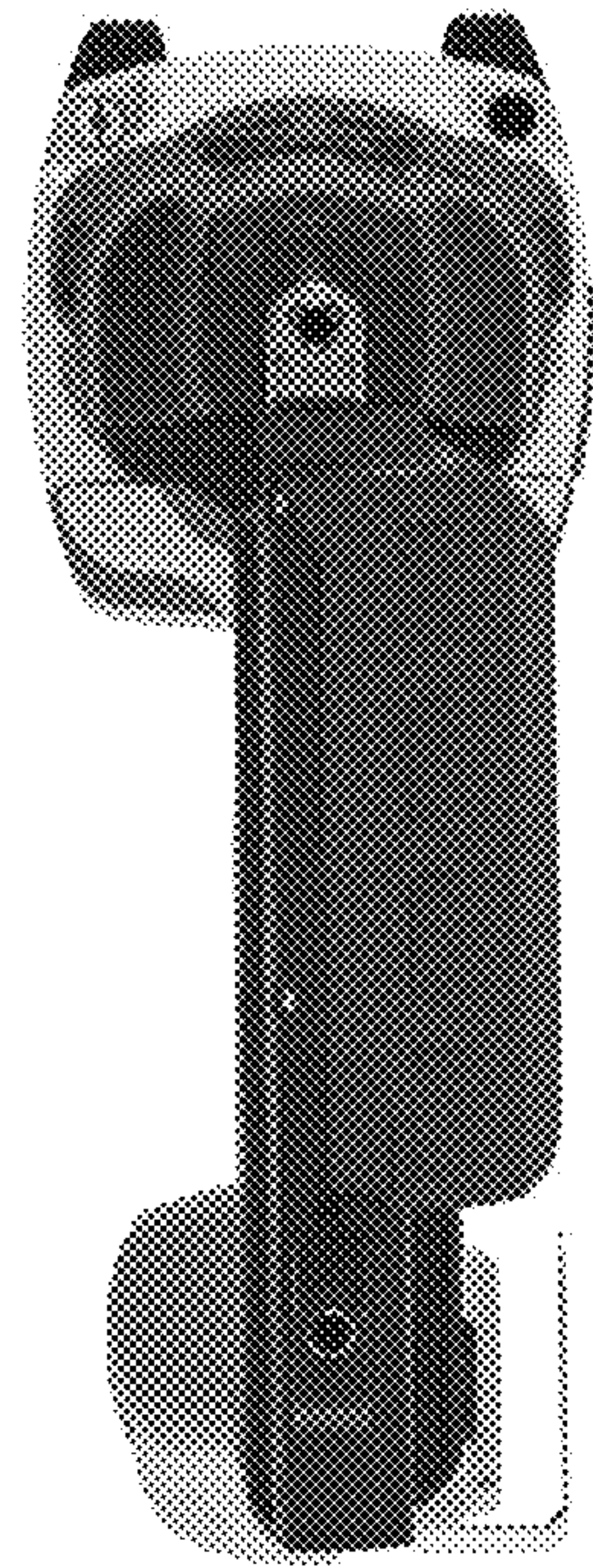
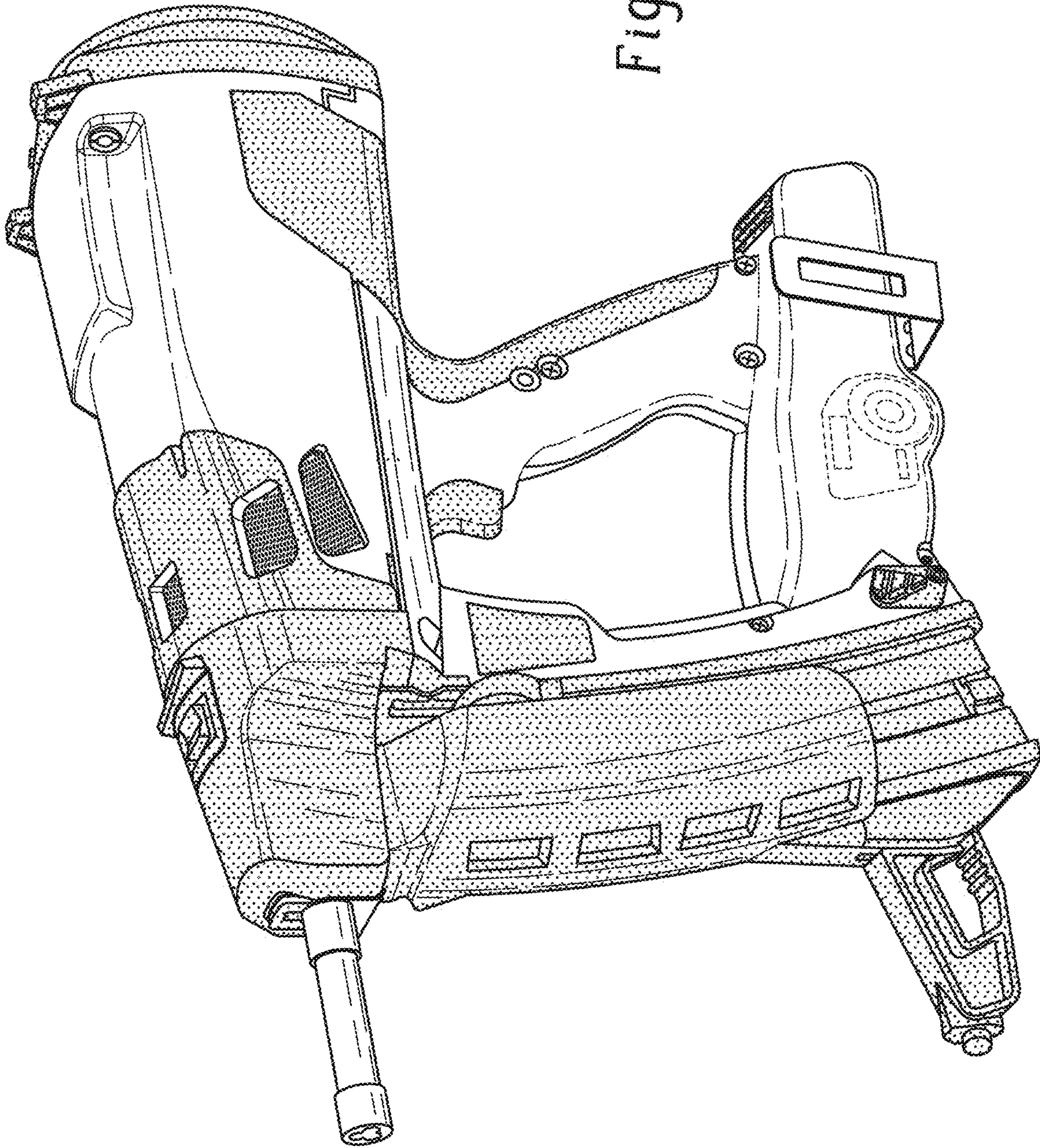


Fig. 7

Fig. 8



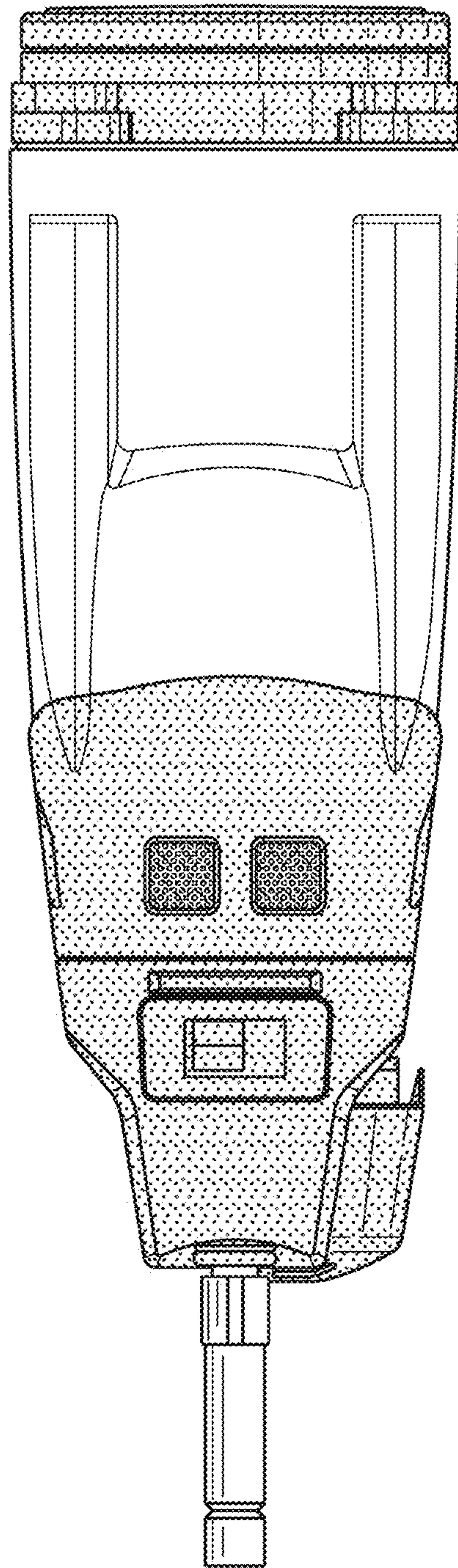
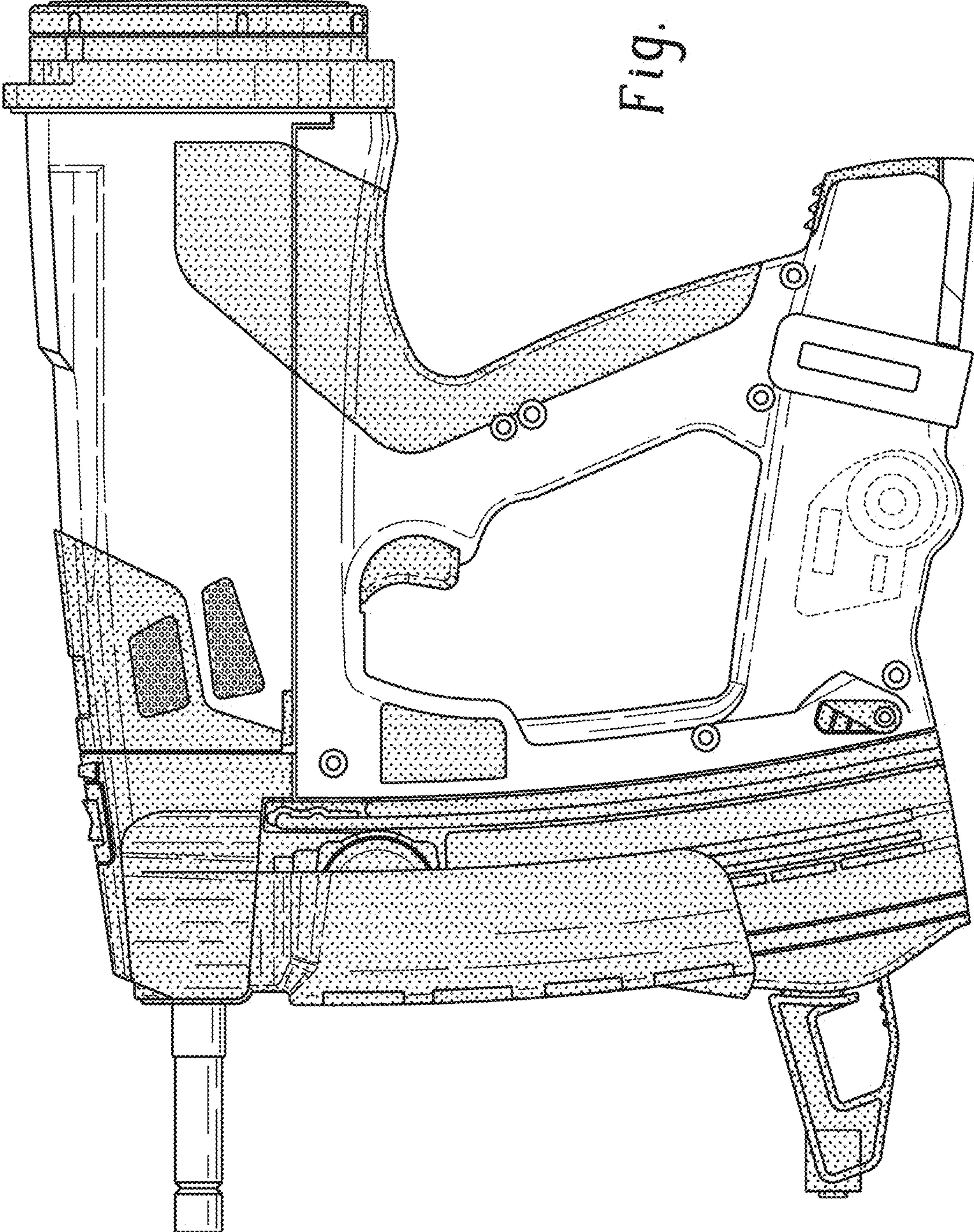


Fig. 9

Fig. 10



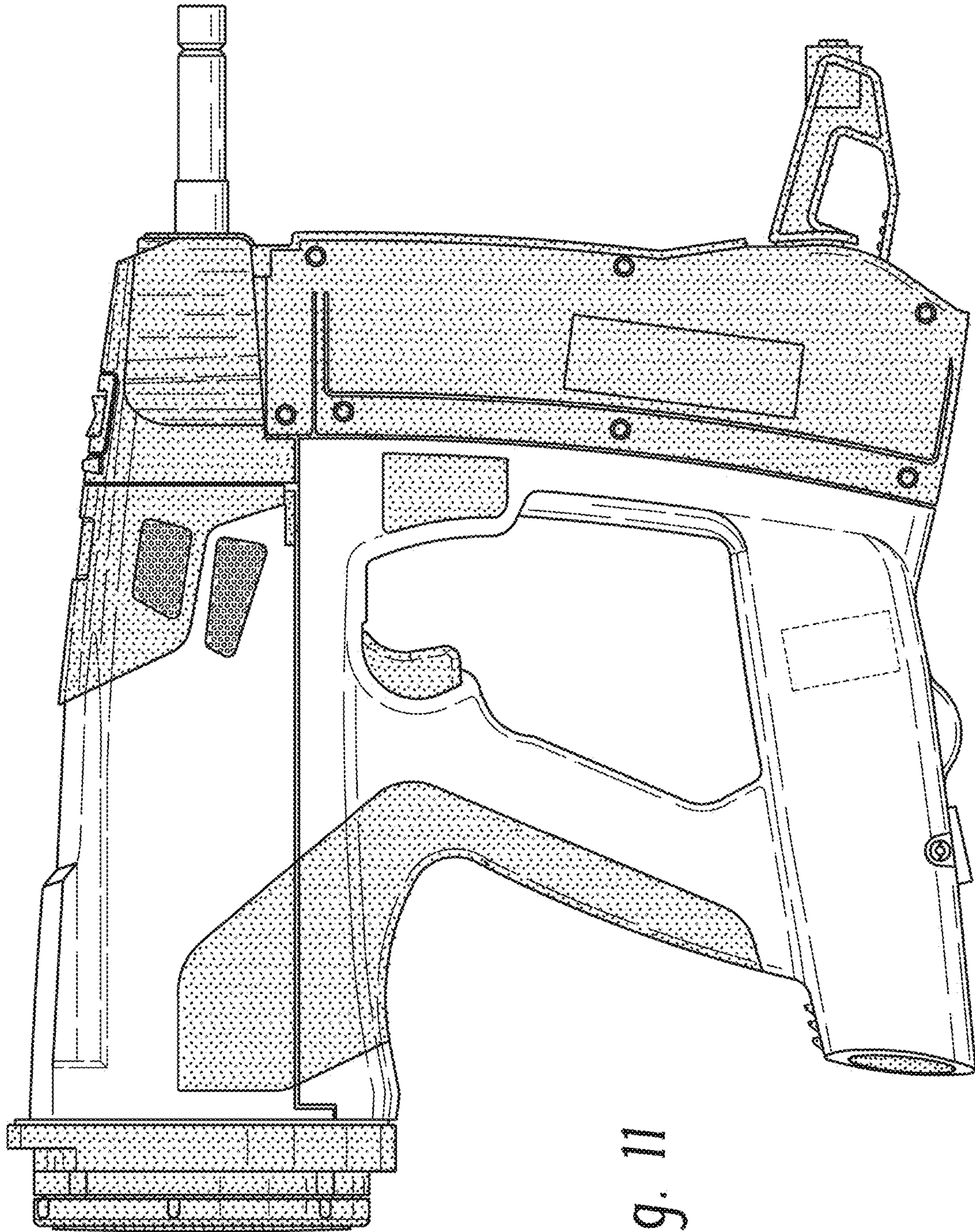


Fig. 11

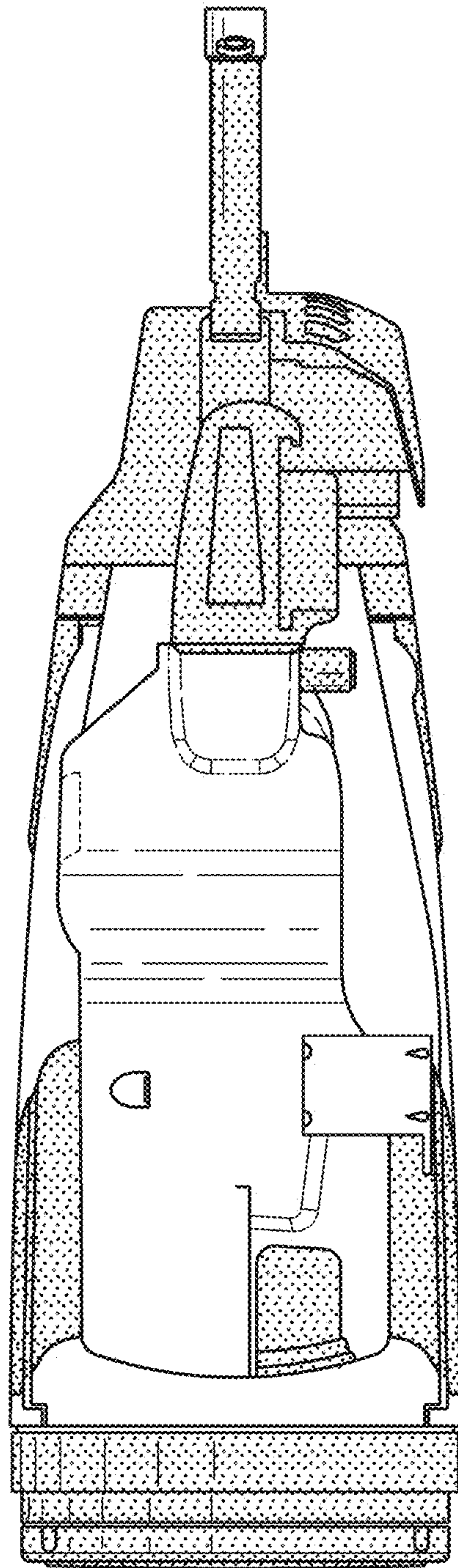


Fig. 12

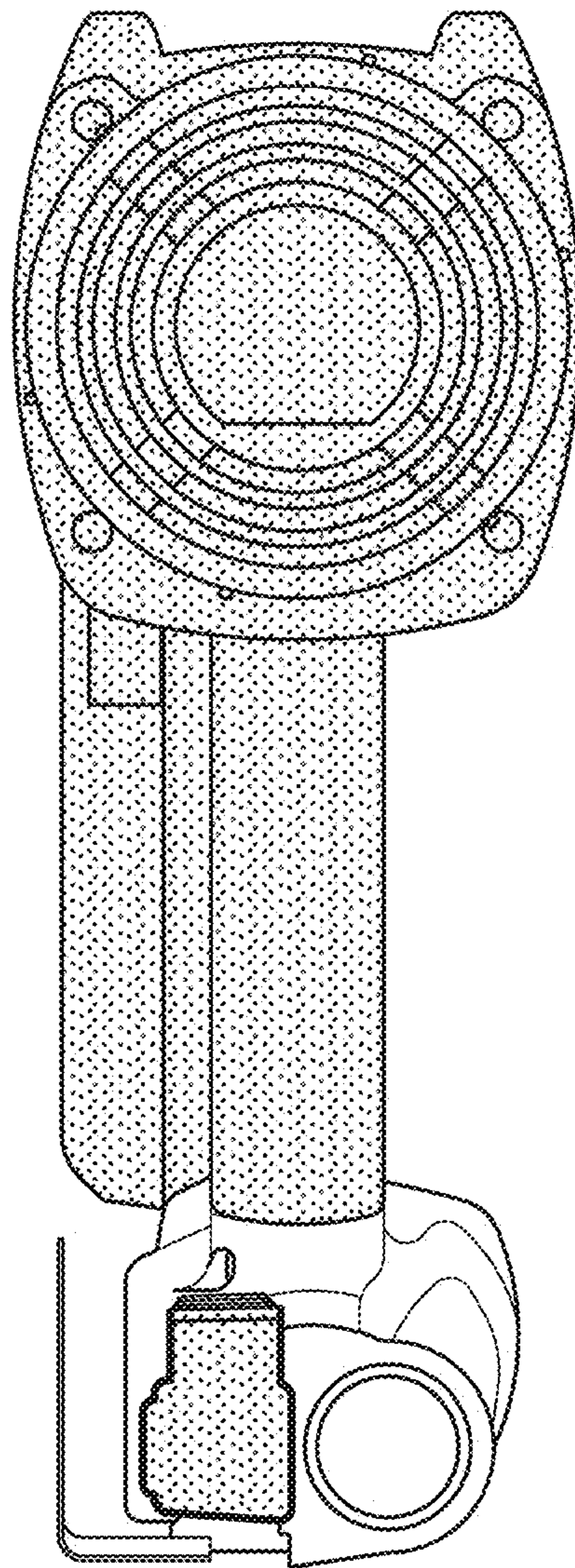


Fig. 13

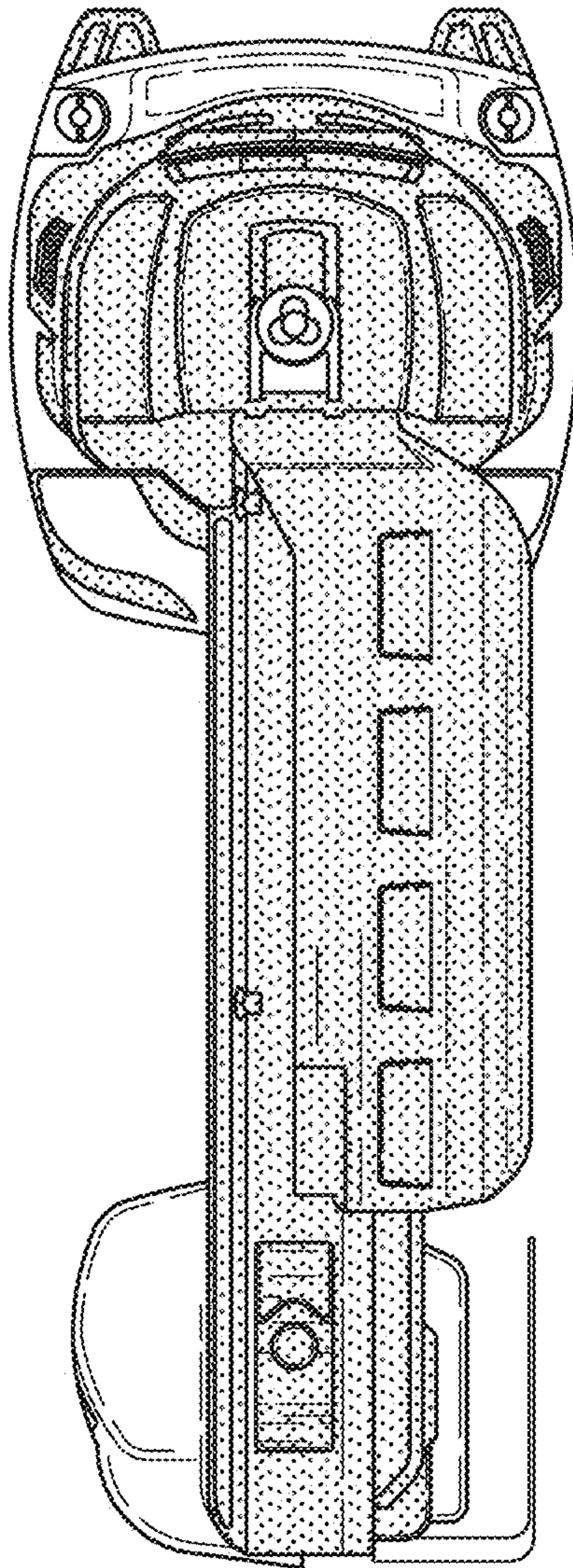


Fig. 14