



US00D944065S

(12) **United States Design Patent**
Dadig et al.

(10) **Patent No.:** **US D944,065 S**
(45) **Date of Patent:** **** Feb. 22, 2022**

(54) **PUSH BUTTON FOR RELEASING A GOOSENECK IN A WELDING TORCH**

(71) Applicant: **American Torch Tip Company,**
Bradenton, FL (US)

(72) Inventors: **Steven Dadig,** Palmetto, FL (US); **Juan Reynaldo Solis, Jr.,** Bradenton, FL (US)

(73) Assignee: **American Torch Tip, Co.,** Bradenton, FL (US)

(**) Term: **15 Years**

(21) Appl. No.: **29/737,029**

(22) Filed: **Jun. 4, 2020**

Related U.S. Application Data

(63) Continuation-in-part of application No. 16/556,822, filed on Aug. 30, 2019.

(51) **LOC (13) Cl.** **08-05**

(52) **U.S. Cl.**
USPC **D8/30; D15/144**

(58) **Field of Classification Search**
USPC D8/30, 68, 382, 396; D15/144; D23/262
(Continued)

(56) **References Cited**

U.S. PATENT DOCUMENTS

D347,467 S * 5/1994 Medvick D23/262
6,025,574 A * 2/2000 Colangelo, Jr. B23K 9/295
200/43.17
D430,482 S * 9/2000 Stout, Jr. D23/262
6,225,599 B1 * 5/2001 Altekruise B23K 9/124
219/137.31

(Continued)

Primary Examiner — Philip S Hyder

(74) *Attorney, Agent, or Firm* — Mark Rubio

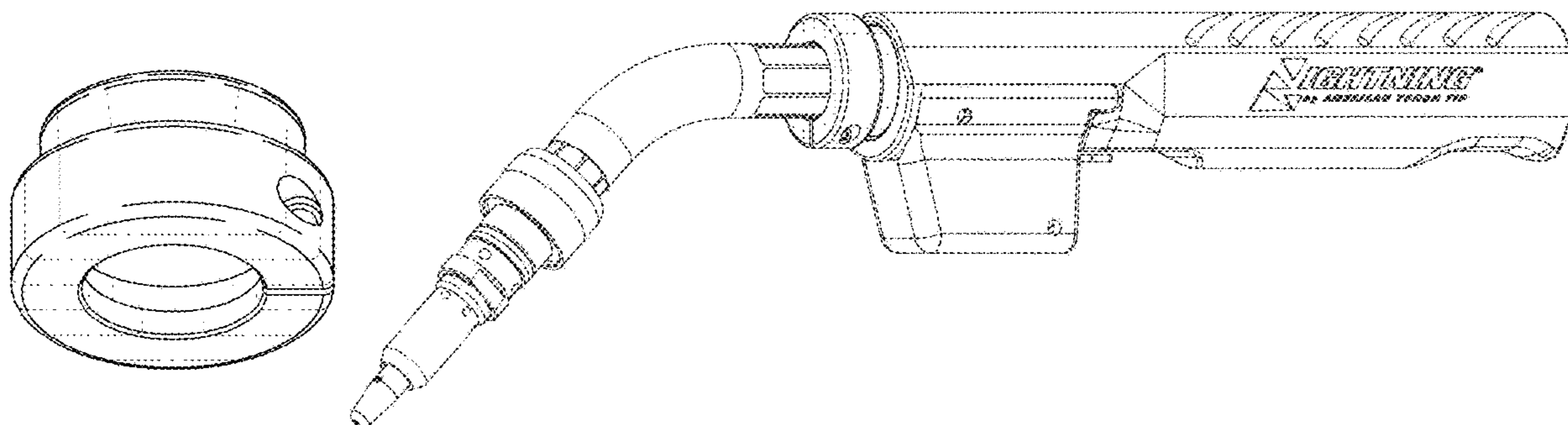
(57) **CLAIM**

The ornamental design for a push button for releasing a gooseneck in a welding torch, as shown and described.

DESCRIPTION

FIG. 1 is a top front right perspective view of the push button showing the new design;
FIG. 2 is a top front right perspective view without shading thereof;
FIG. 3 is a top front left perspective view thereof;
FIG. 4 is a top front left perspective view without shading thereof;
FIG. 5 is right view thereof;
FIG. 6 is right view without shading thereof;
FIG. 7 is top view thereof;
FIG. 8 is top view without shading thereof;
FIG. 9 is bottom view thereof;
FIG. 10 is bottom view without shading thereof;
FIG. 11 is left cross-section view as taken from line 11-11 of FIG. 7 thereof;
FIG. 12 is left cross-section view as taken from line 12-12 of FIG. 8 without shading thereof;
FIG. 13 is a bottom front right perspective view thereof;
FIG. 14 is a bottom front right perspective view without shading thereof;
FIG. 15 is a bottom front left perspective view thereof;
FIG. 16 is a bottom front left perspective view without shading thereof;
FIG. 17 is front view thereof;
FIG. 18 is front view without shading thereof;
FIG. 19 is a top view thereof;
FIG. 20 is a top view without shading thereof;
FIG. 21 is left view thereof;
FIG. 22 is a left view without shading thereof;
FIG. 23 is back view thereof;
FIG. 24 is a back view without shading thereof; and,
FIG. 25 is a perspective view of the push button for releasing a gooseneck installed in a welding torch.
The broken line showing of the welding torch is provided for purpose of environment and forms no part of the claimed design.

1 Claim, 25 Drawing Sheets



(58) **Field of Classification Search**

CPC B23K 9/28; B23K 9/125; B23K 9/295;
 B23K 9/1336; B23K 9/1087; B23K
 9/124; B23K 9/325; B23K 9/287
 See application file for complete search history.

(56) **References Cited**

U.S. PATENT DOCUMENTS

6,979,799	B2 *	12/2005	Centner	B23K 9/10 200/321
D536,009	S *	1/2007	MacKenzie	D15/144
D555,446	S *	11/2007	Picaza Ibarrodo	D15/144
7,326,874	B2 *	2/2008	Brasseur	H05H 1/34 219/121.5
D637,697	S *	5/2011	Steiner	D23/262
D653,270	S *	1/2012	Furujo	D15/144
D710,485	S *	8/2014	Nudo	D23/262
D714,372	S *	9/2014	Savill, Jr.	D15/144
D728,647	S *	5/2015	Savill, Jr.	D15/144
D776,731	S *	1/2017	Yamaguchi	D15/144
D780,297	S *	2/2017	Ray	D23/262
D799,938	S *	10/2017	Lowitz	D8/354
D813,278	S *	3/2018	Savill, Jr.	D15/144
D813,627	S *	3/2018	Tsai	D8/30
D828,399	S *	9/2018	Fitzgerald	D15/5
D881,664	S *	4/2020	Vazquez	D8/30
D883,055	S *	5/2020	Vazquez	D8/30
D893,967	S *	8/2020	Vazquez	D8/30
D896,351	S *	9/2020	Banks, III	D23/262
2009/0152254	A1 *	6/2009	Giese	B23K 9/287 219/137.31
2017/0164006	A1 *	6/2017	Tanizawa	H04N 19/463
2018/0178307	A1 *	6/2018	Whipple	B23K 9/26

* cited by examiner

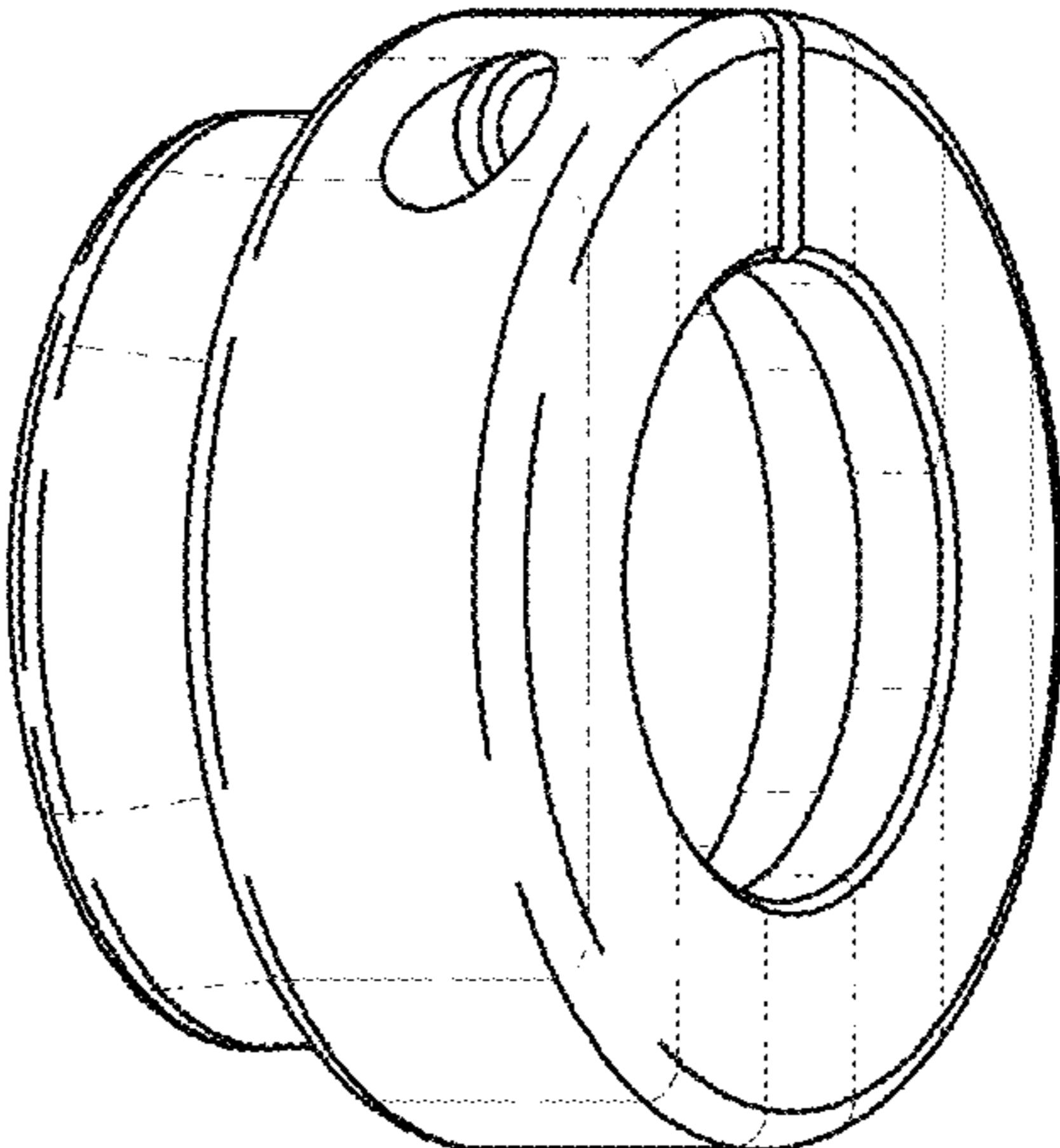


Fig. 1

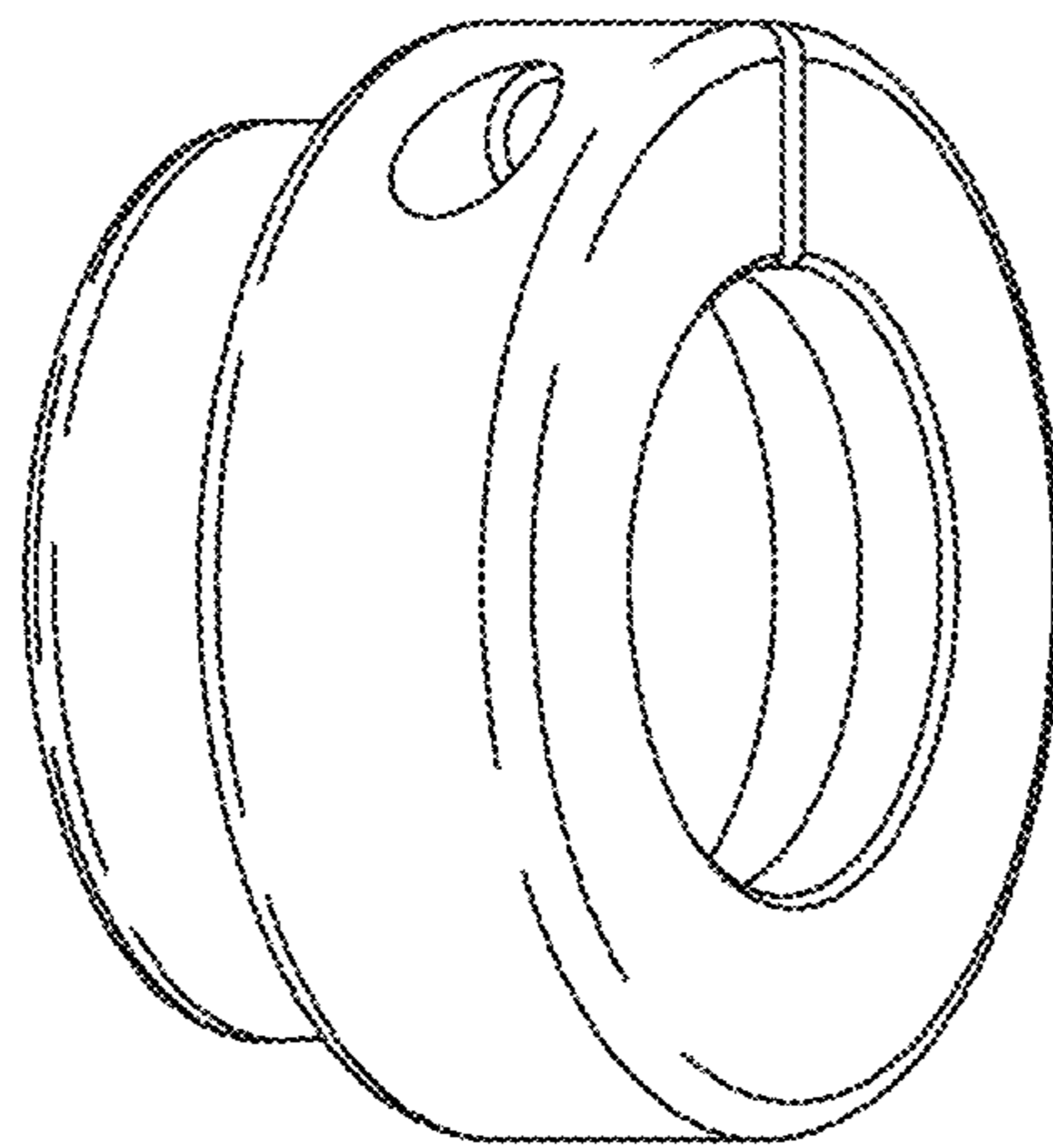


FIG. 2

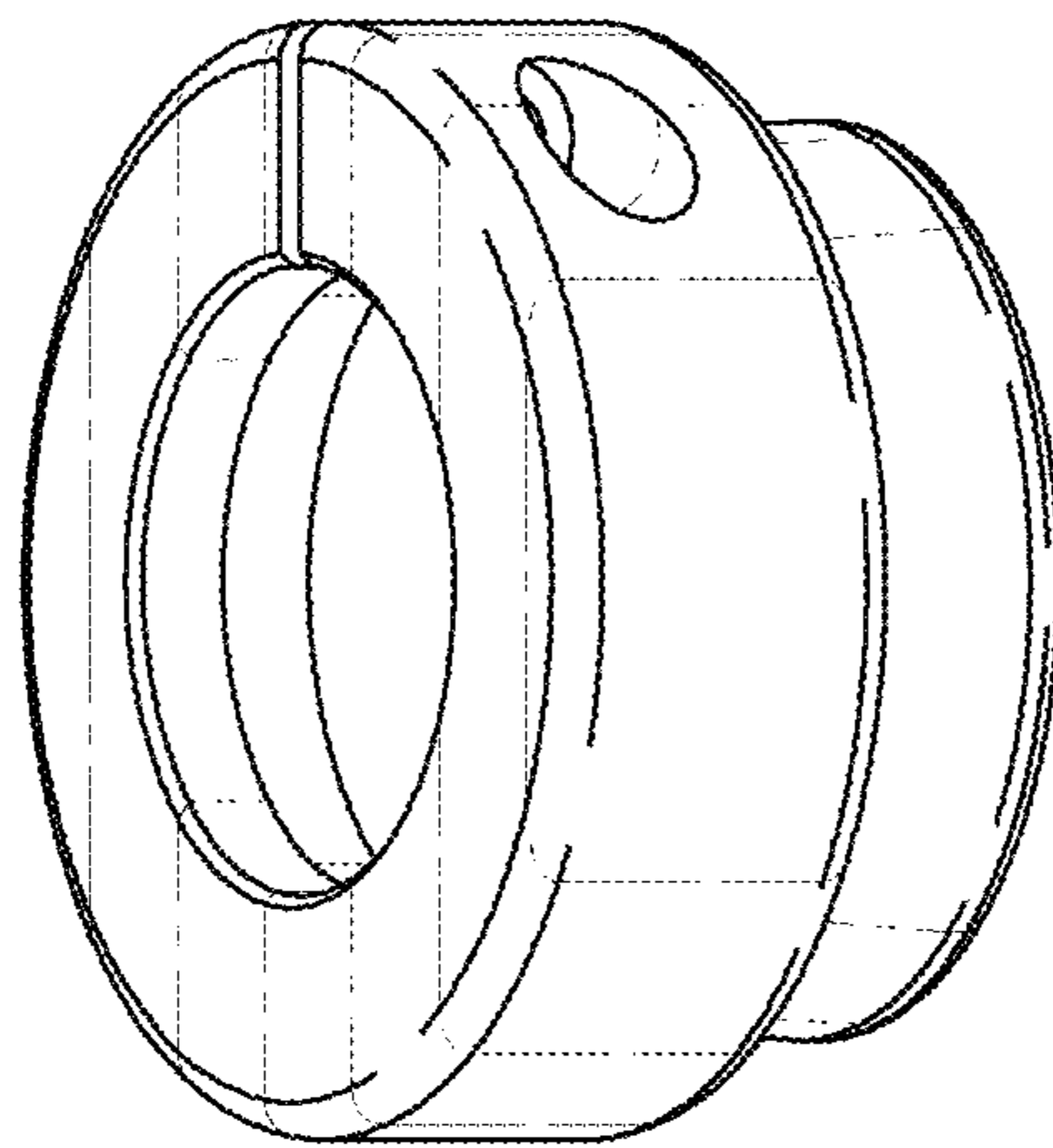


FIG. 3

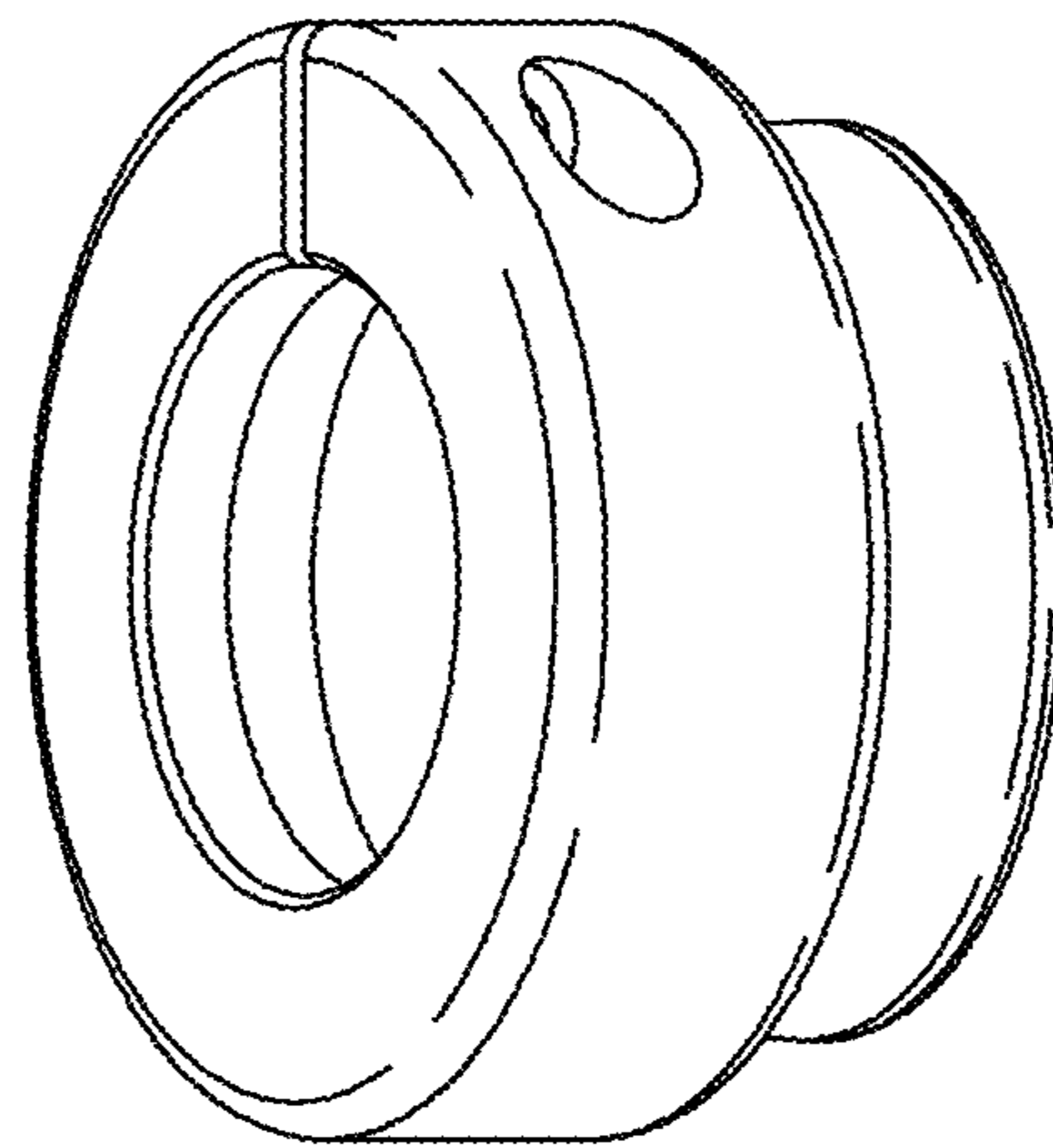


Fig. 4

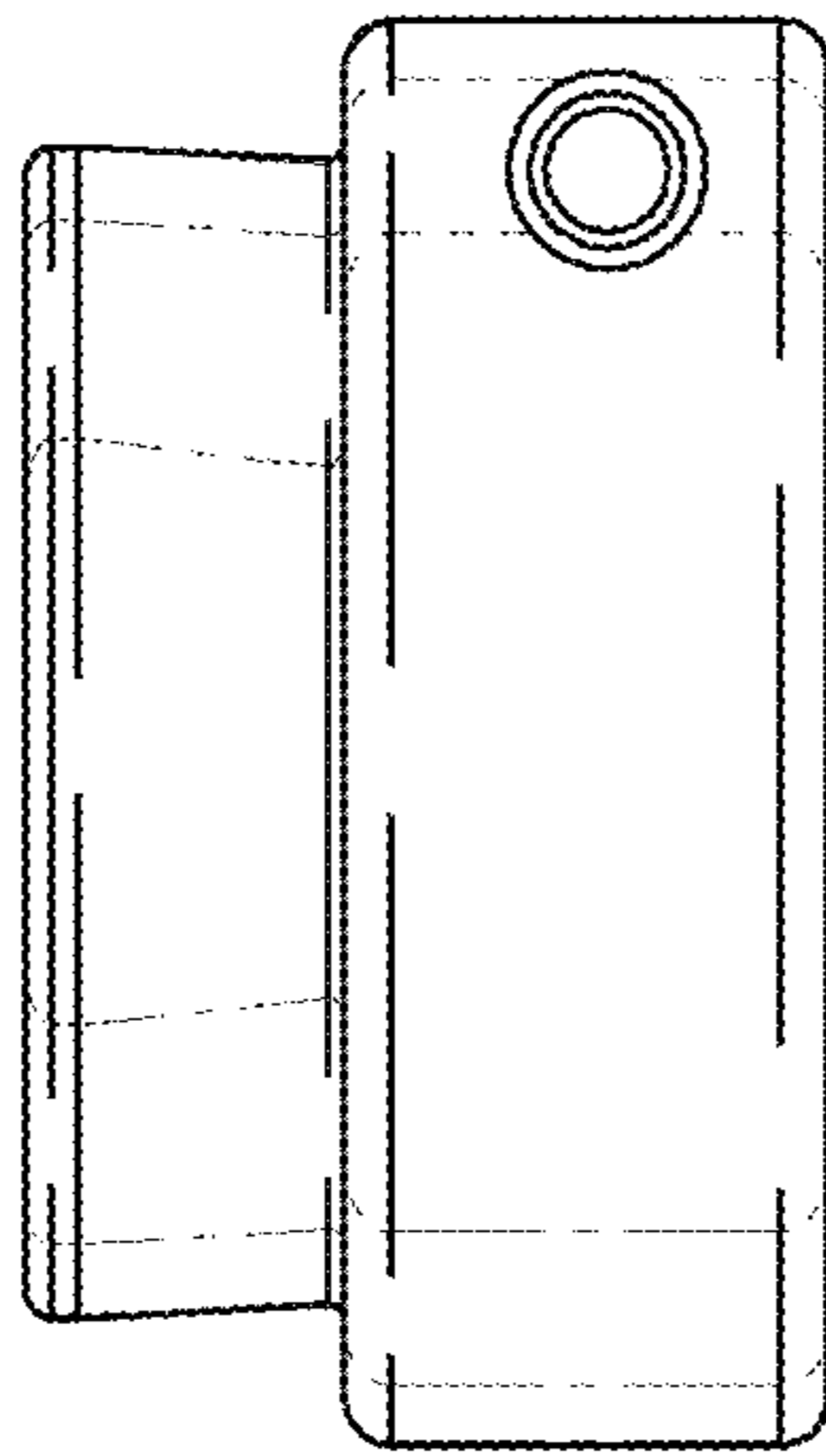


Fig. 5

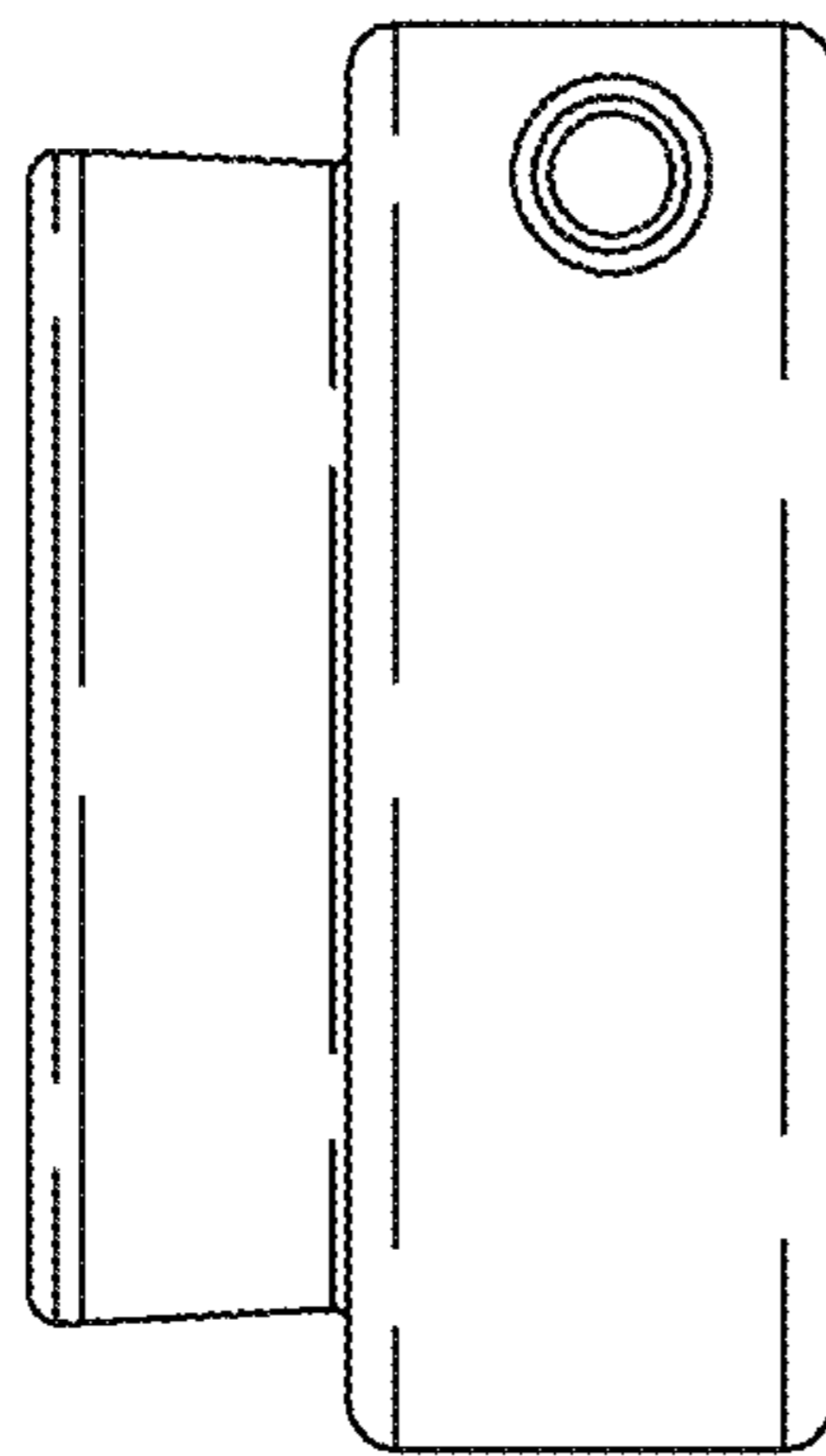


Fig. 6

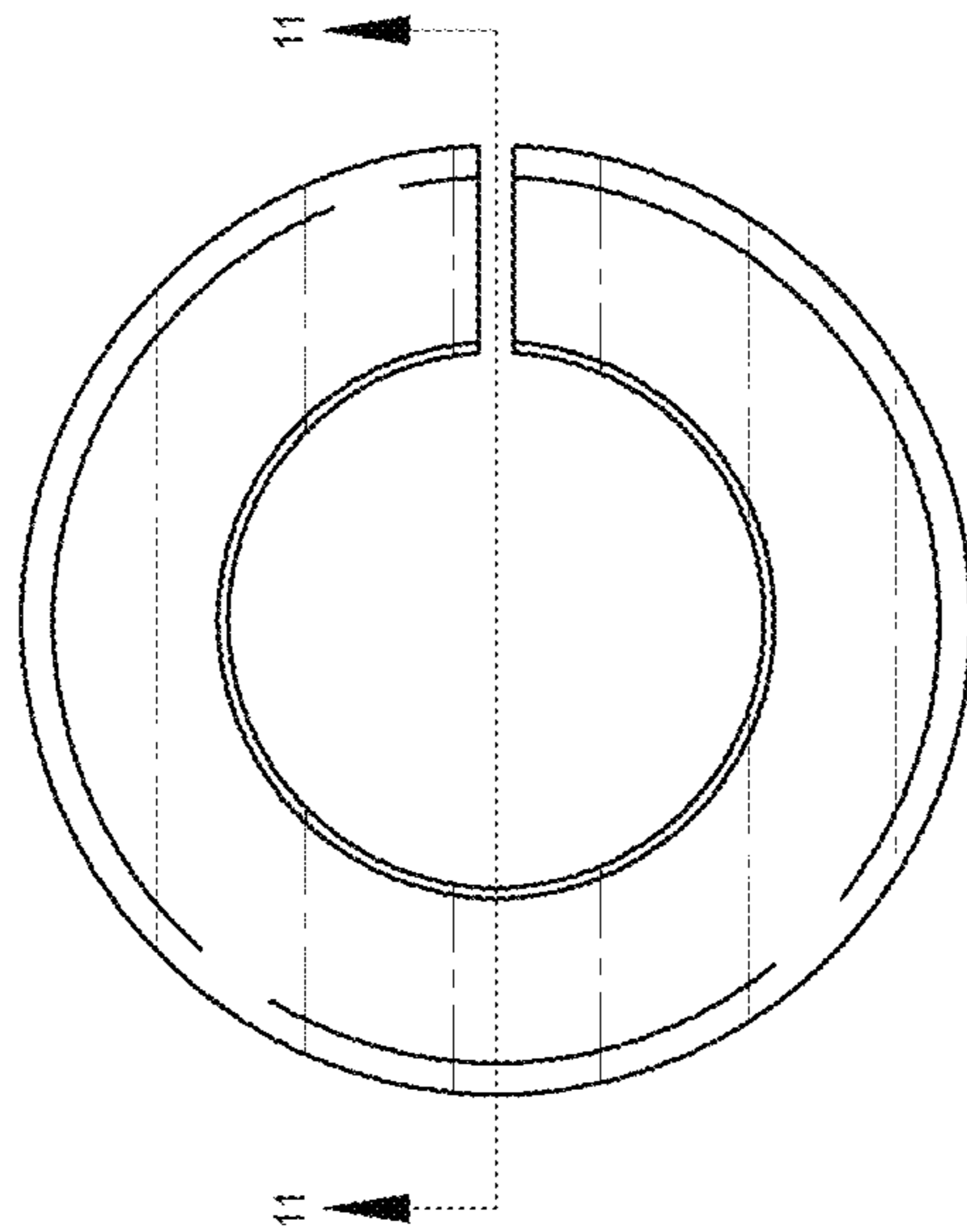


Fig. 7

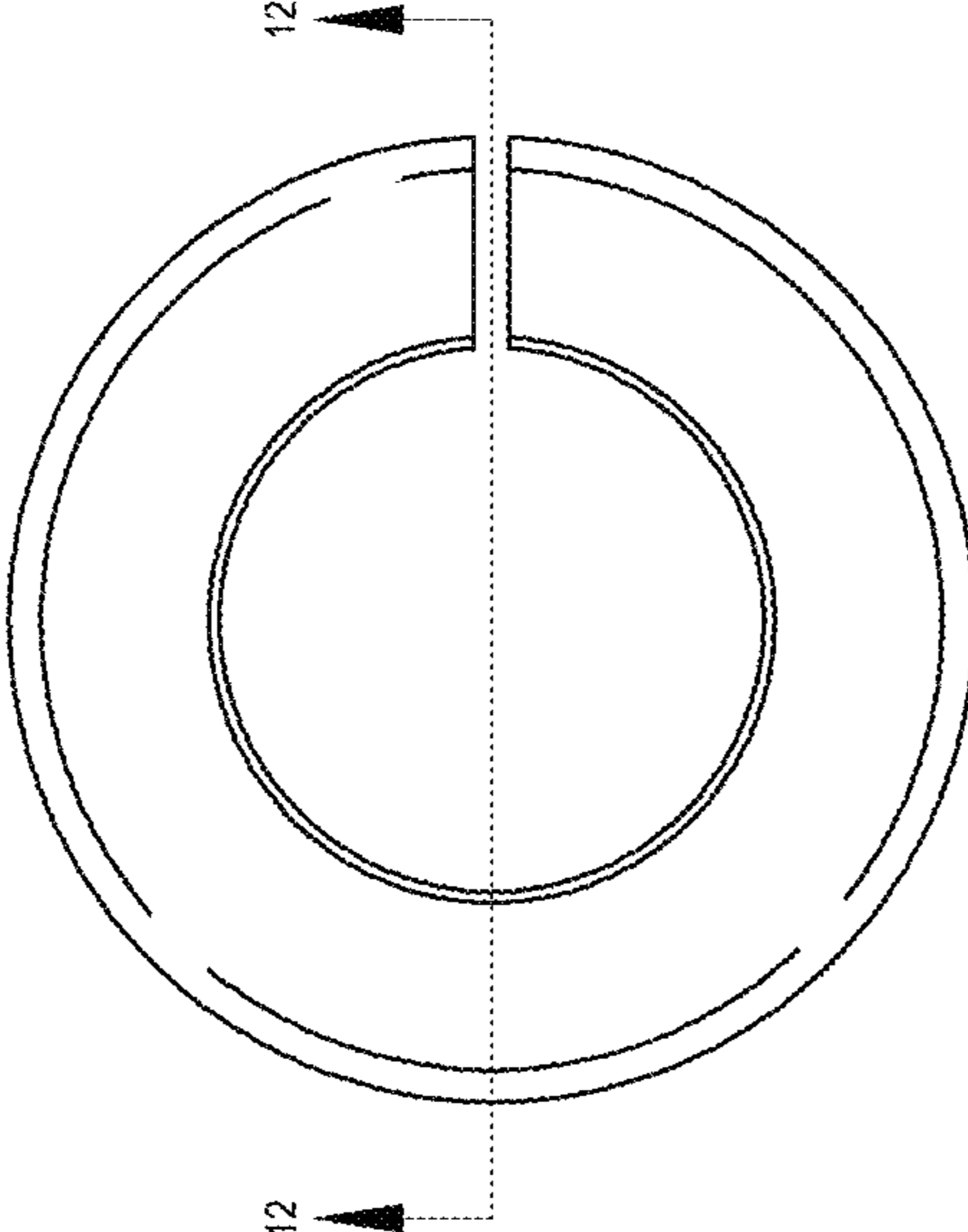


FIG. 8

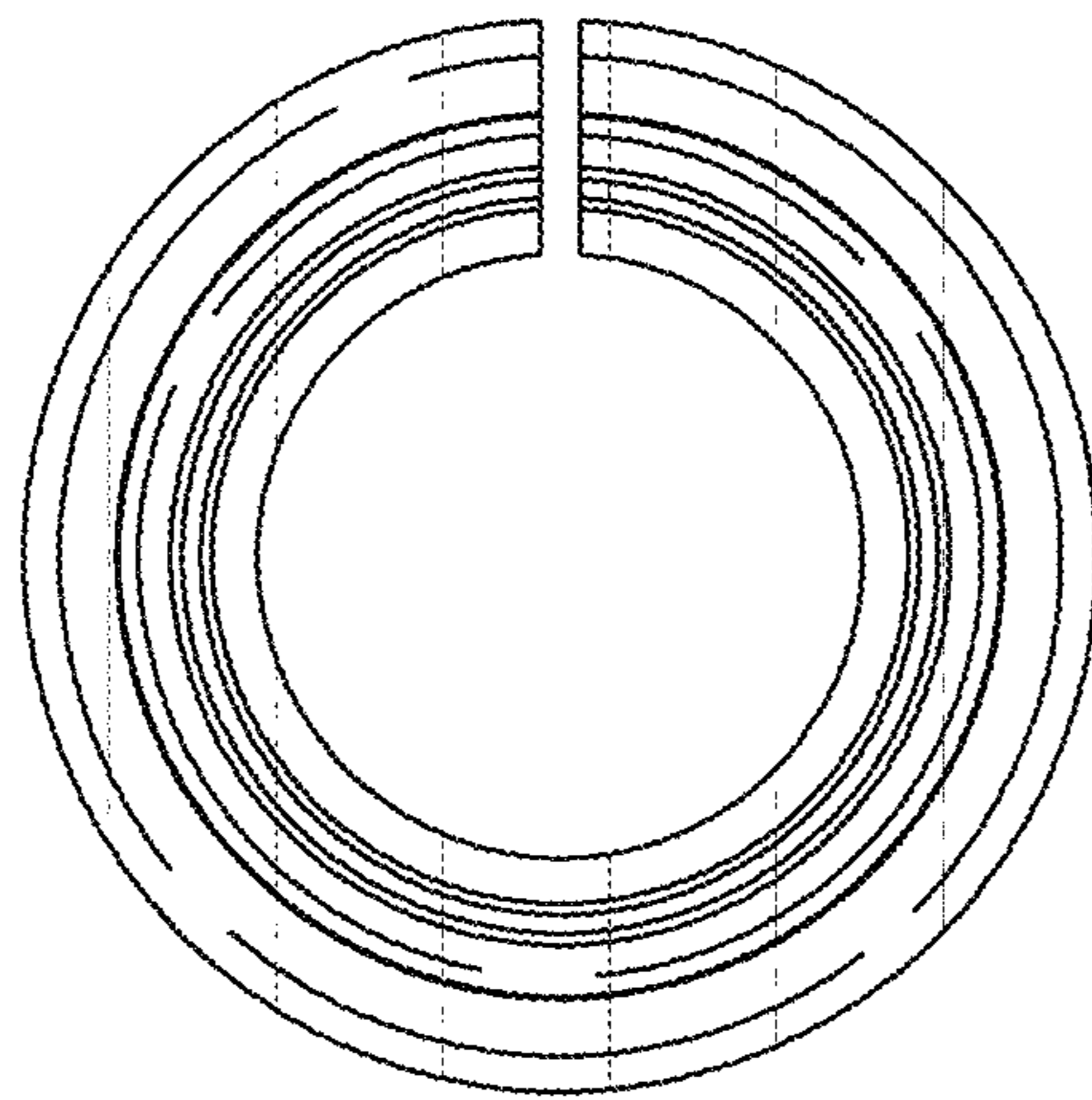


Fig. 9

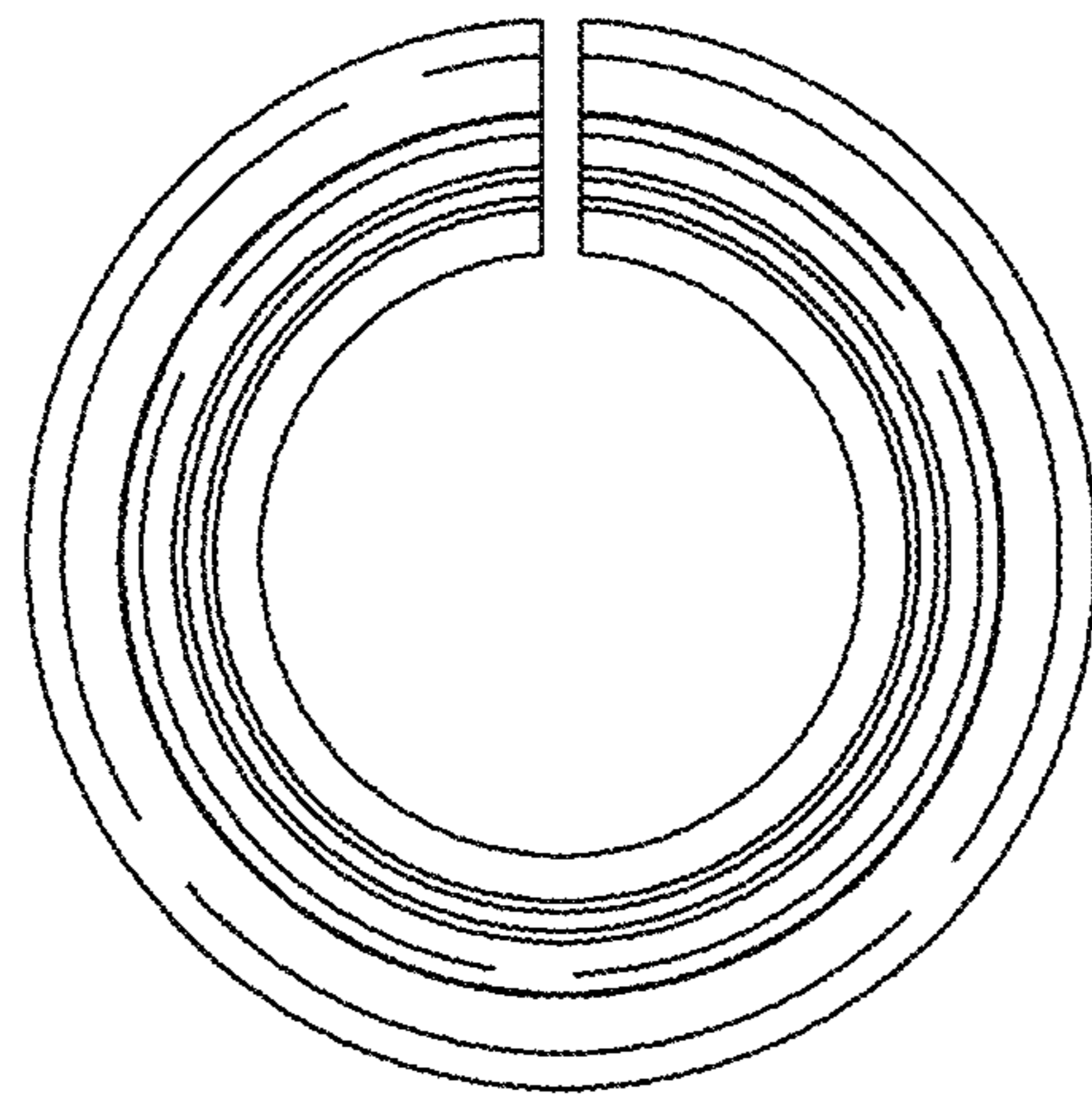


Fig. 10

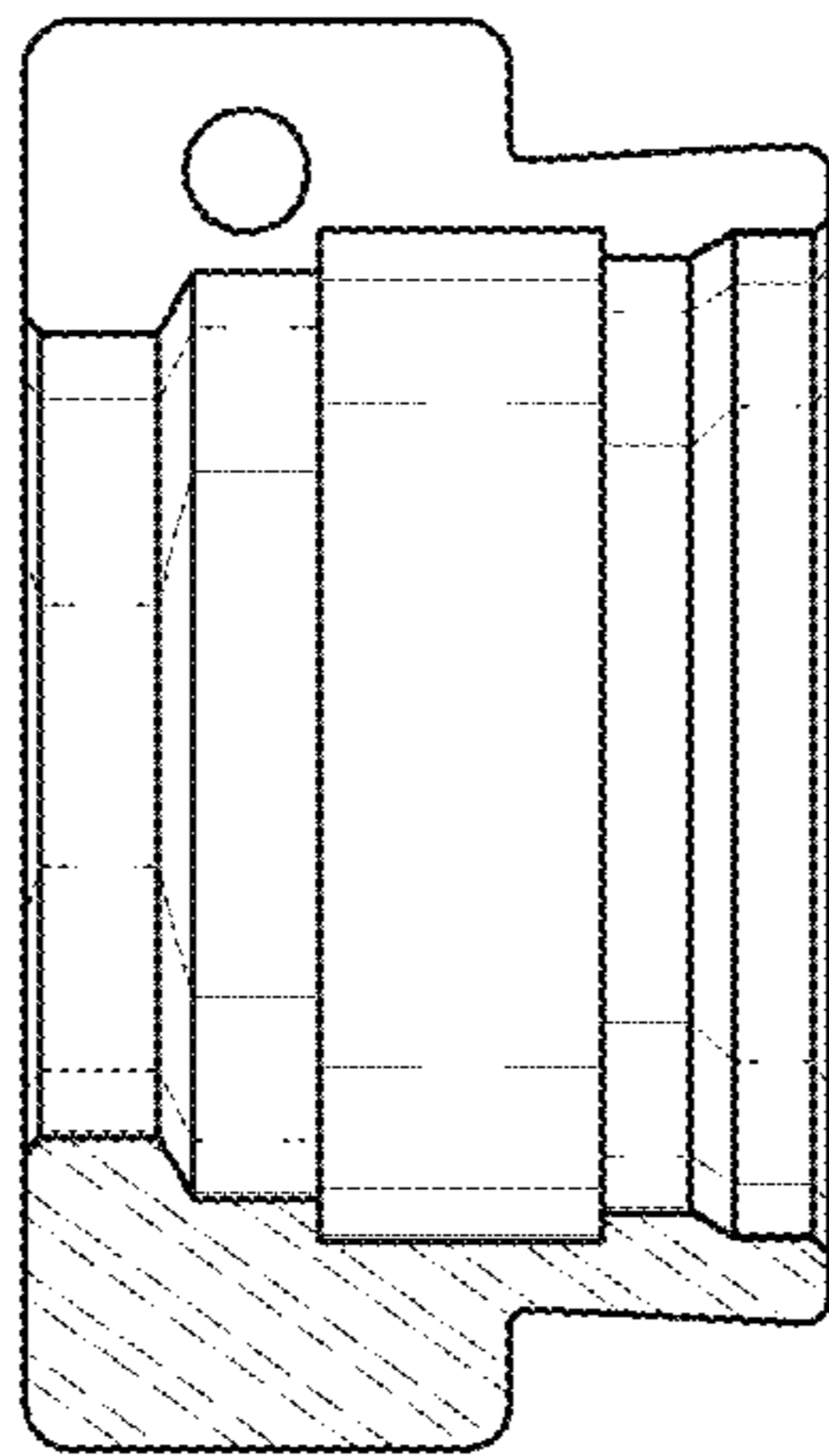


Fig. 11

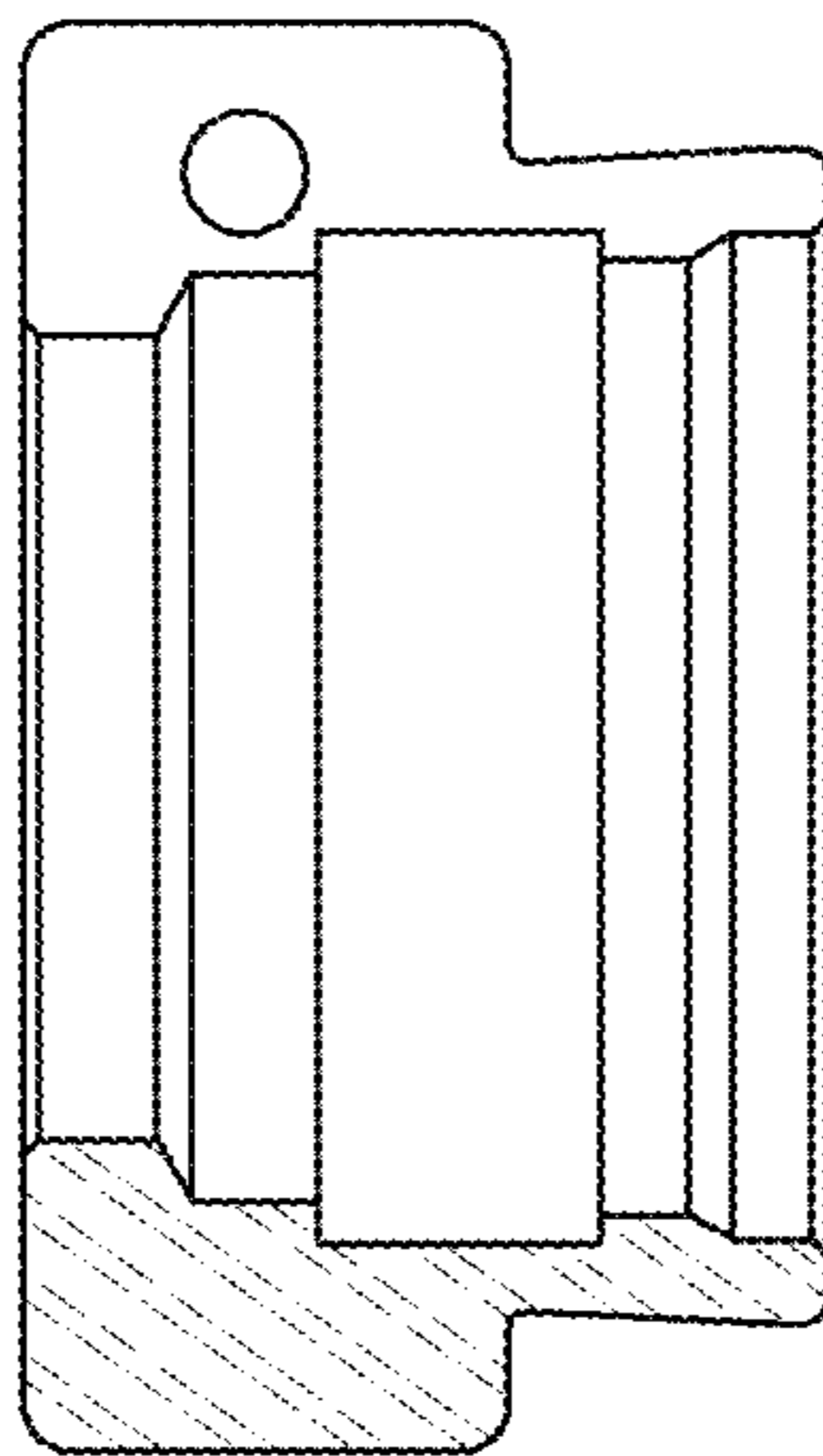


Fig. 12

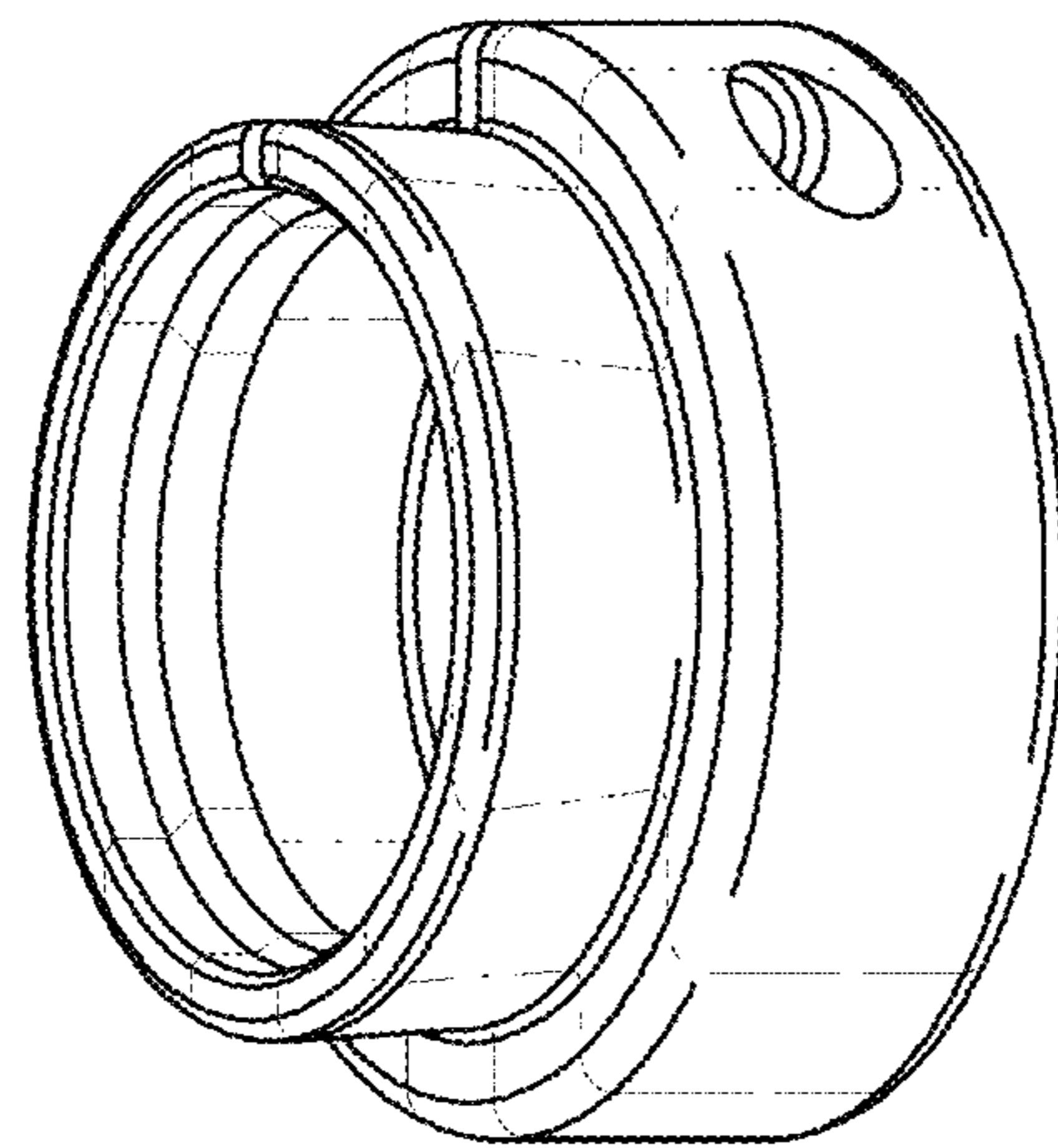


Fig. 13

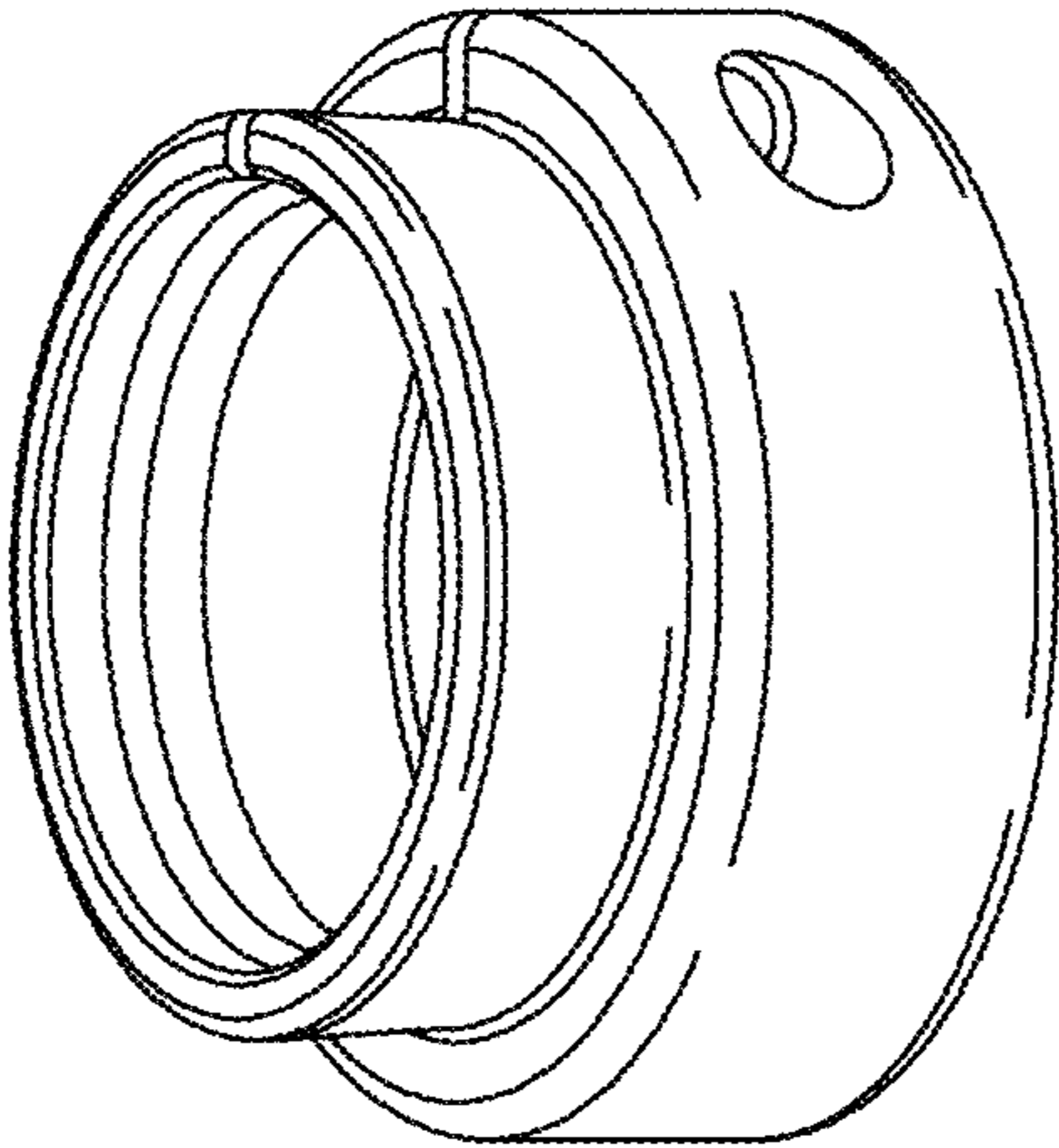


Fig. 14

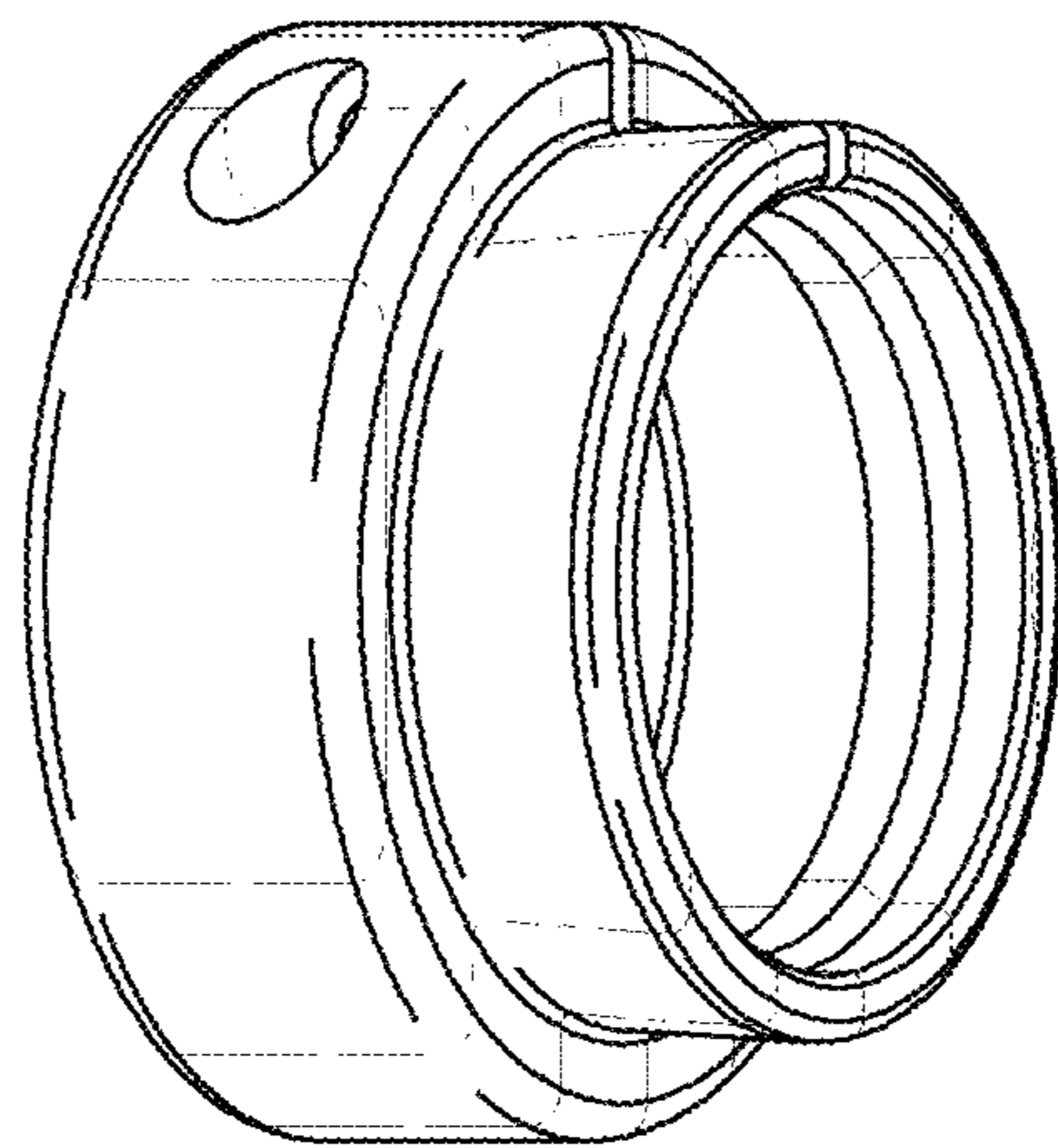


Fig. 15

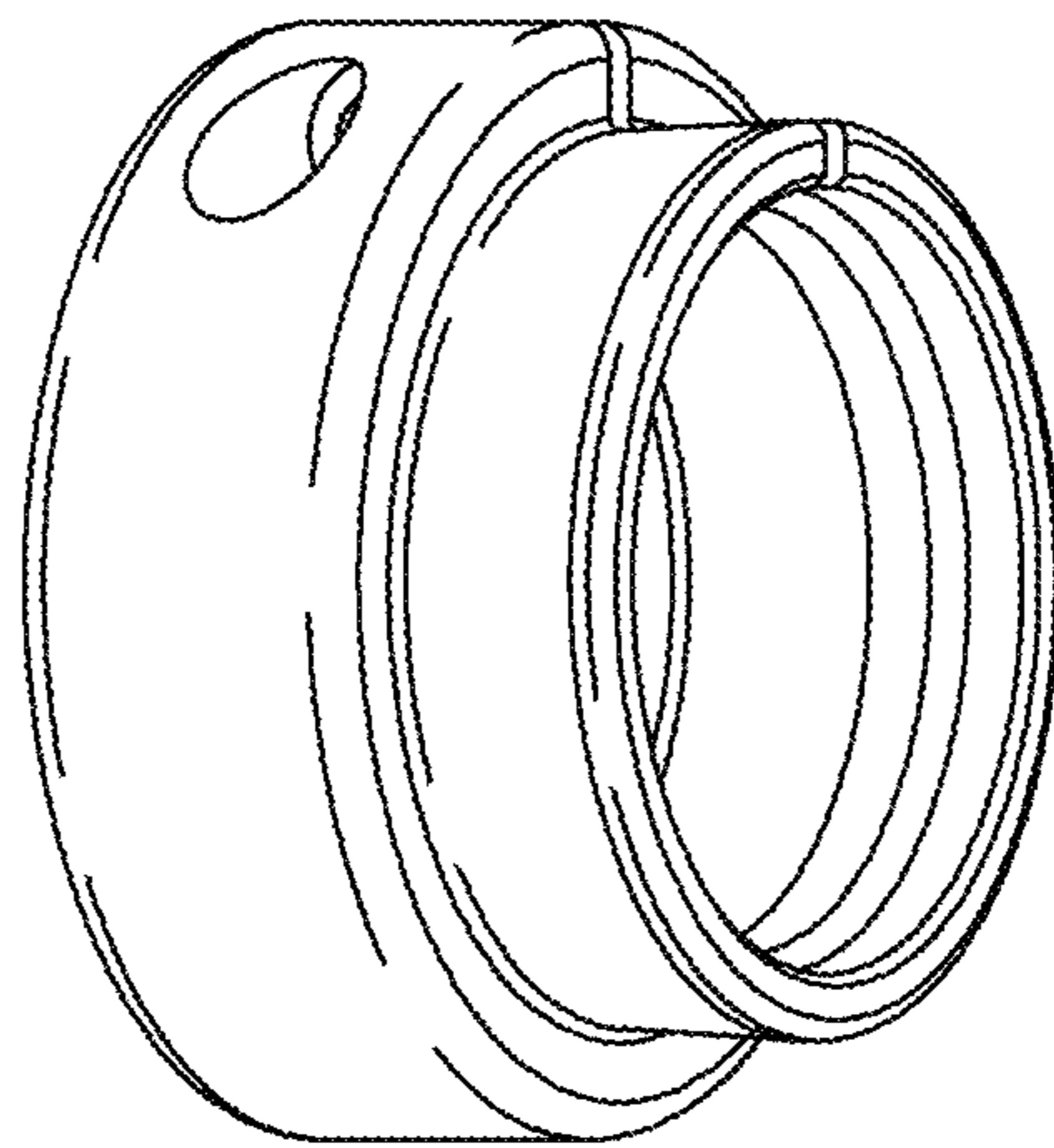


Fig. 16

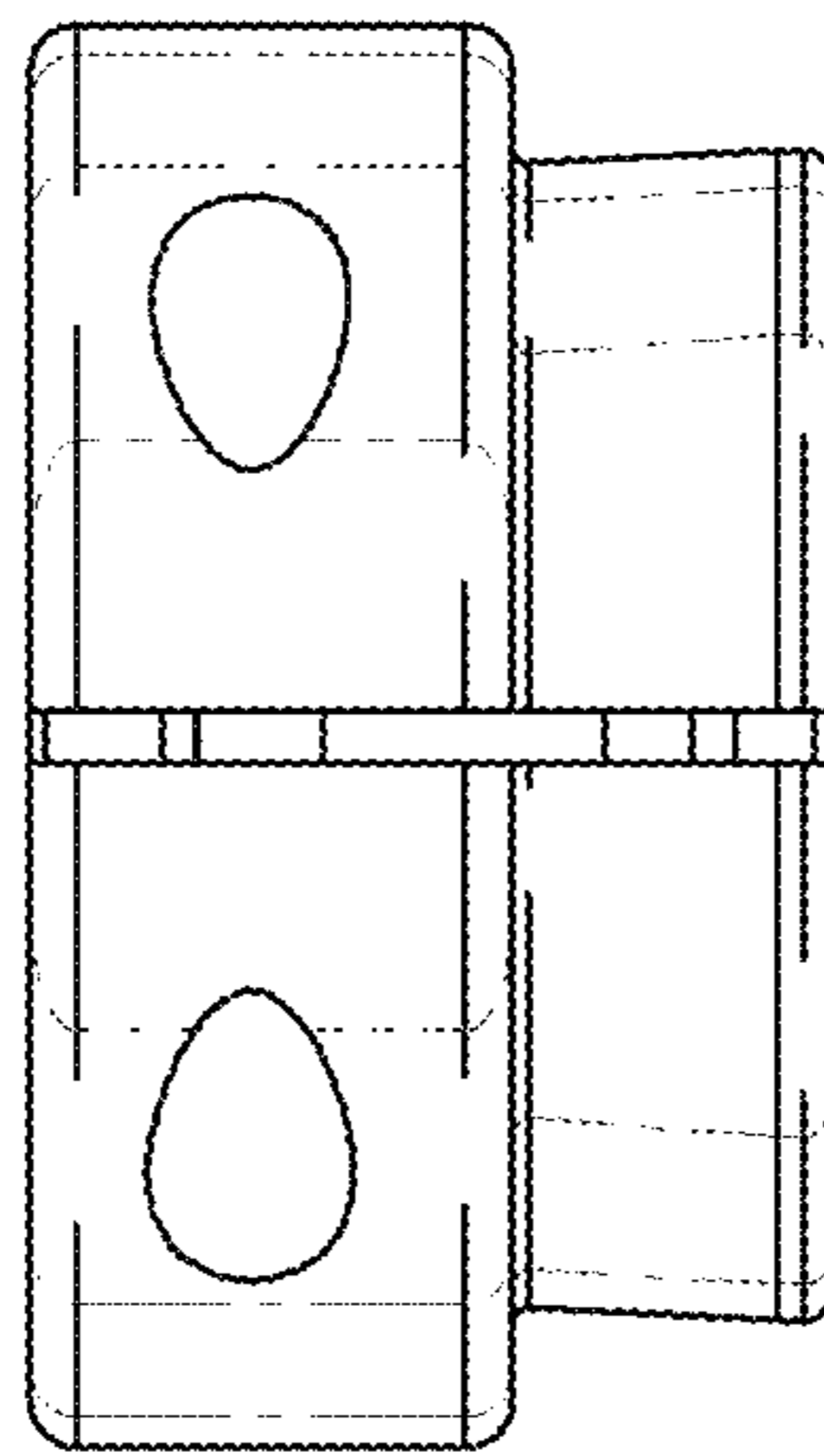


Fig. 17

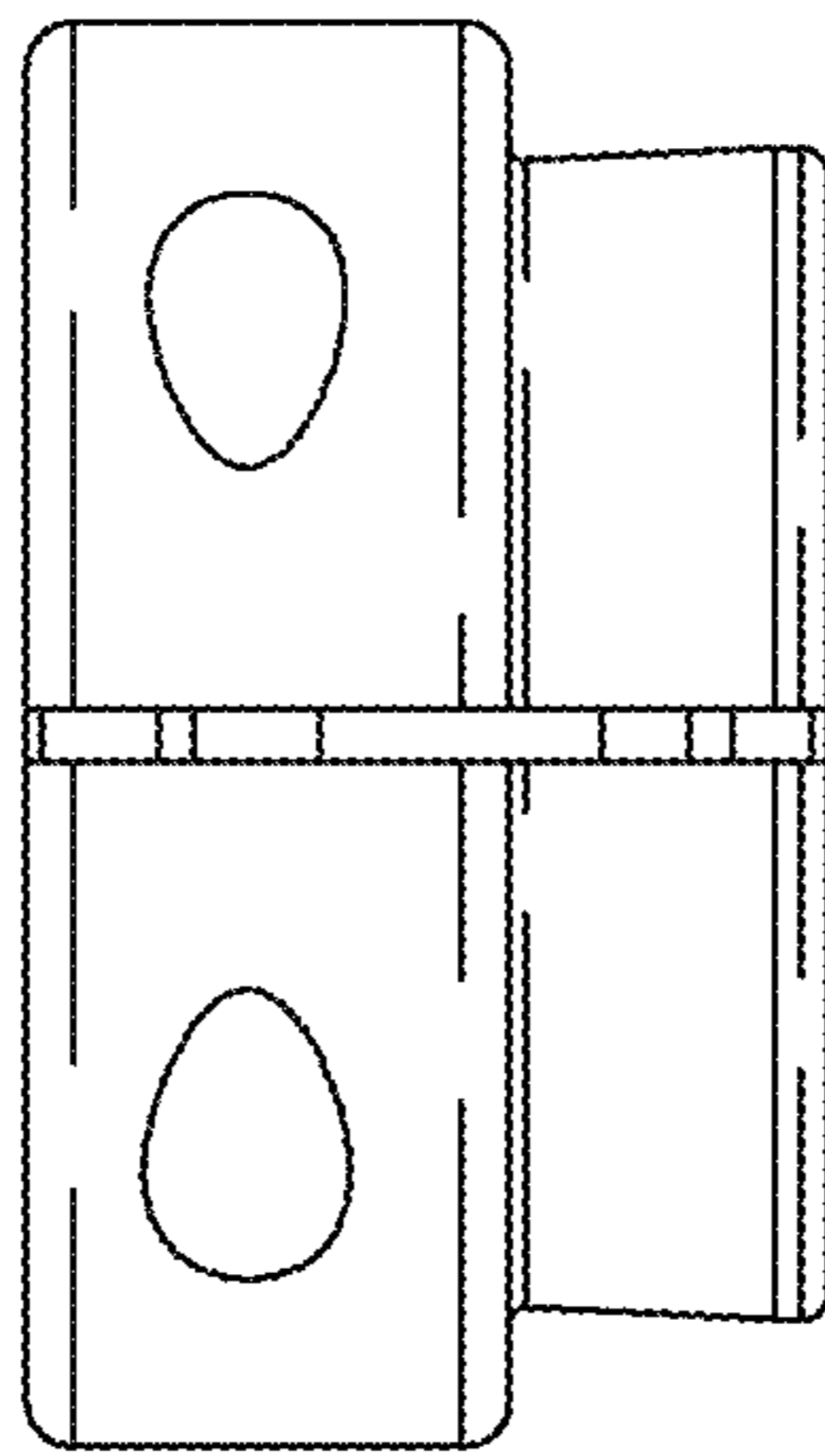


Fig. 18

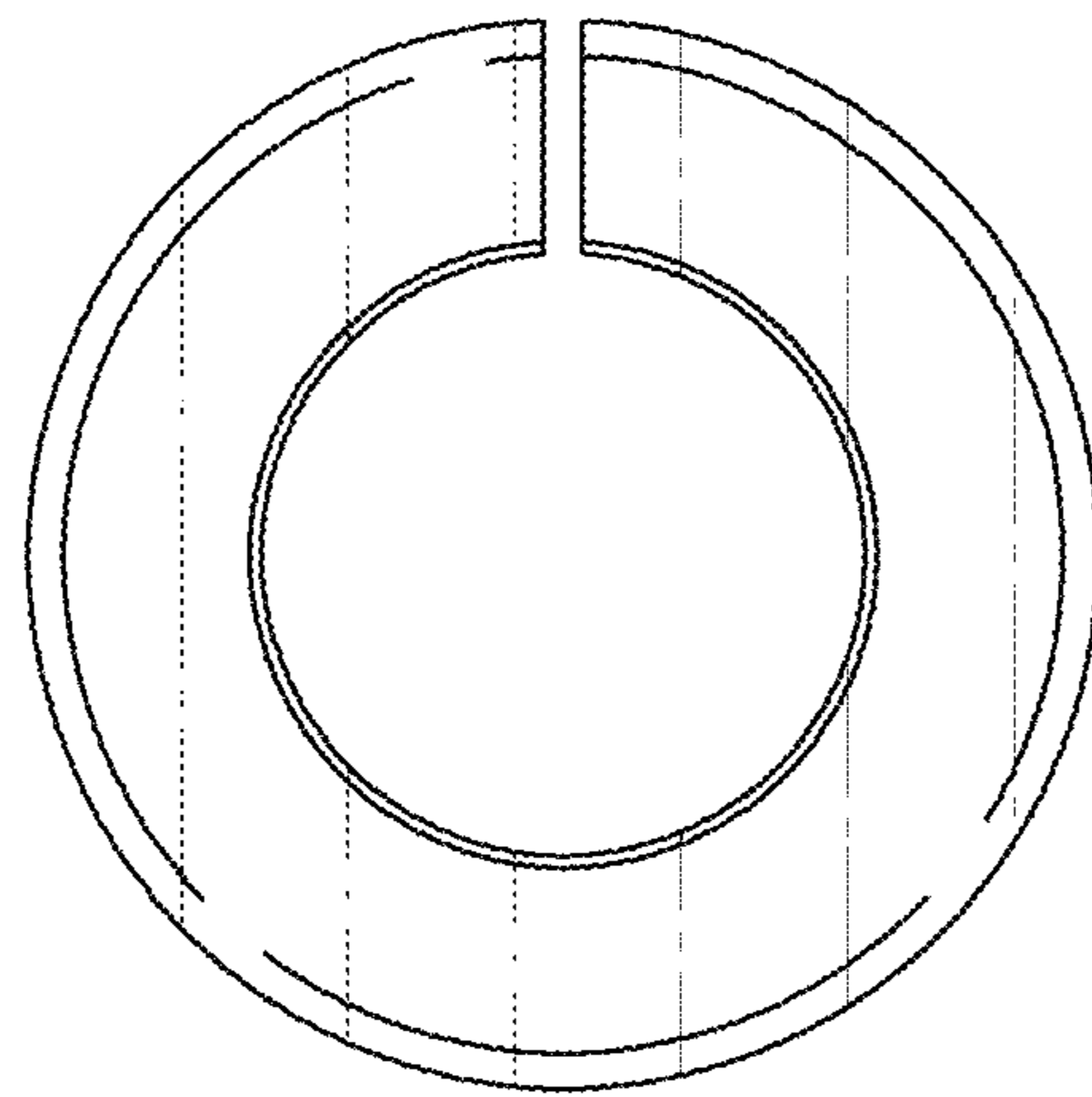


Fig. 19

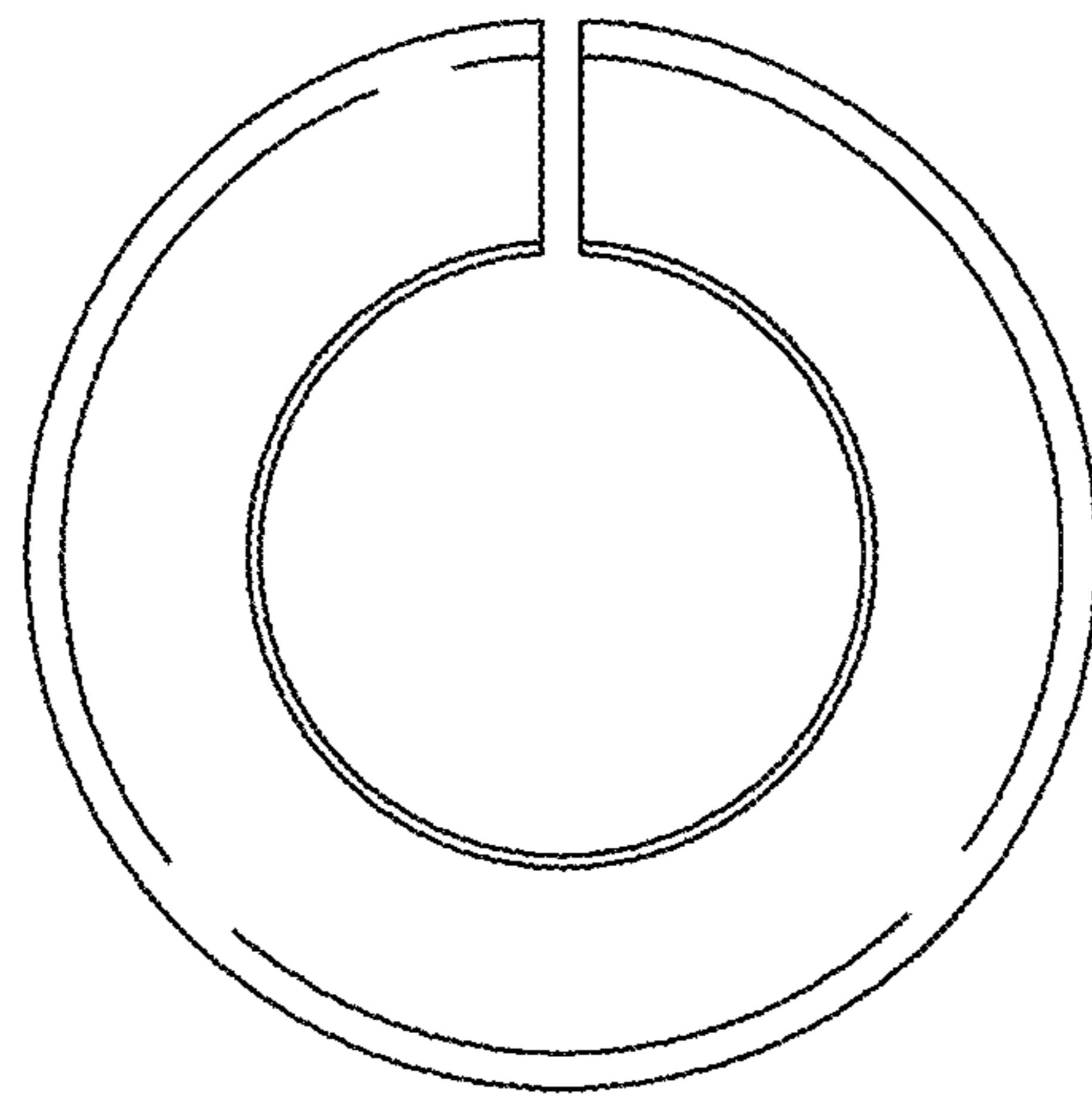


Fig. 20

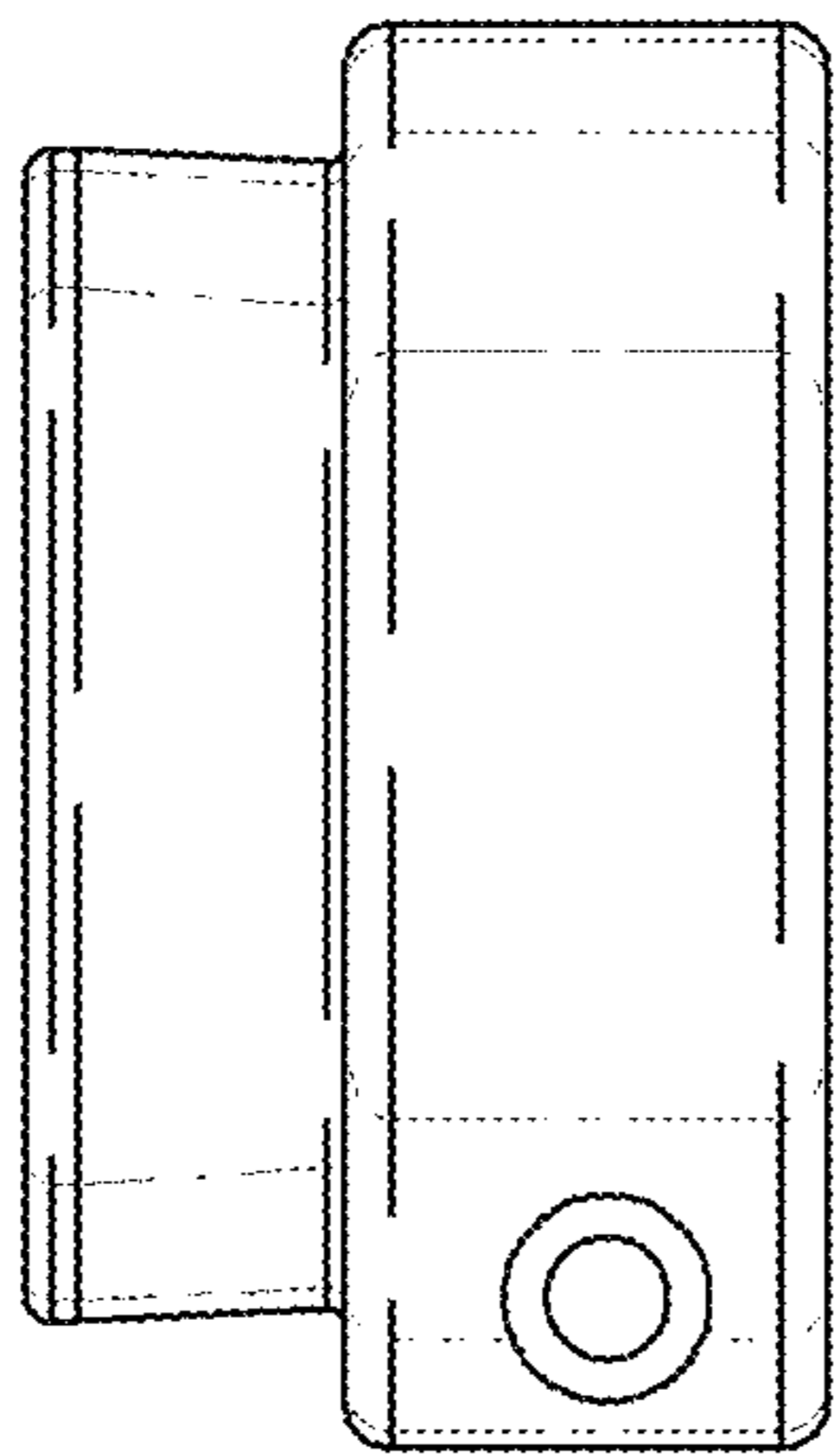


Fig. 21

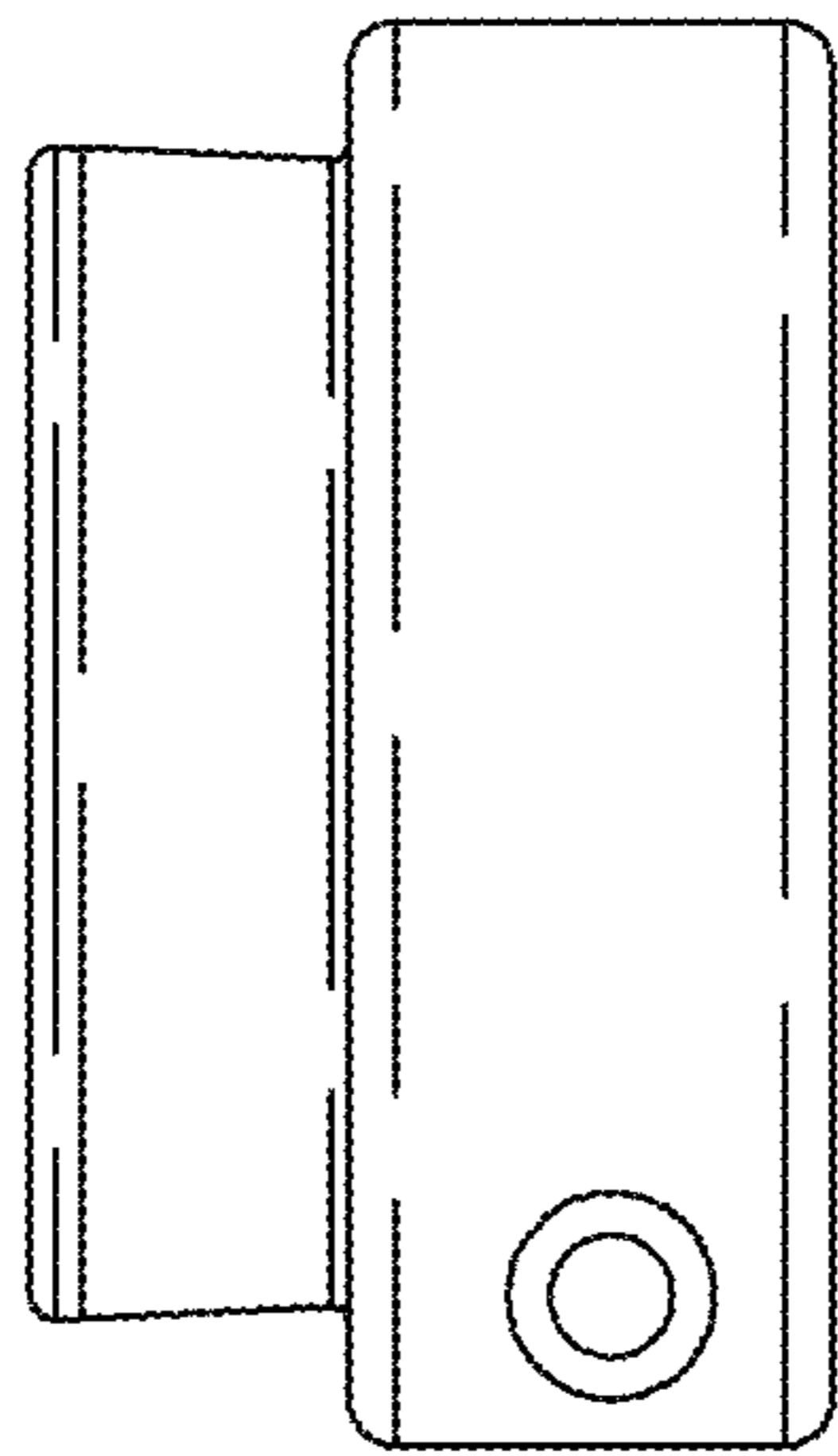


FIG. 22

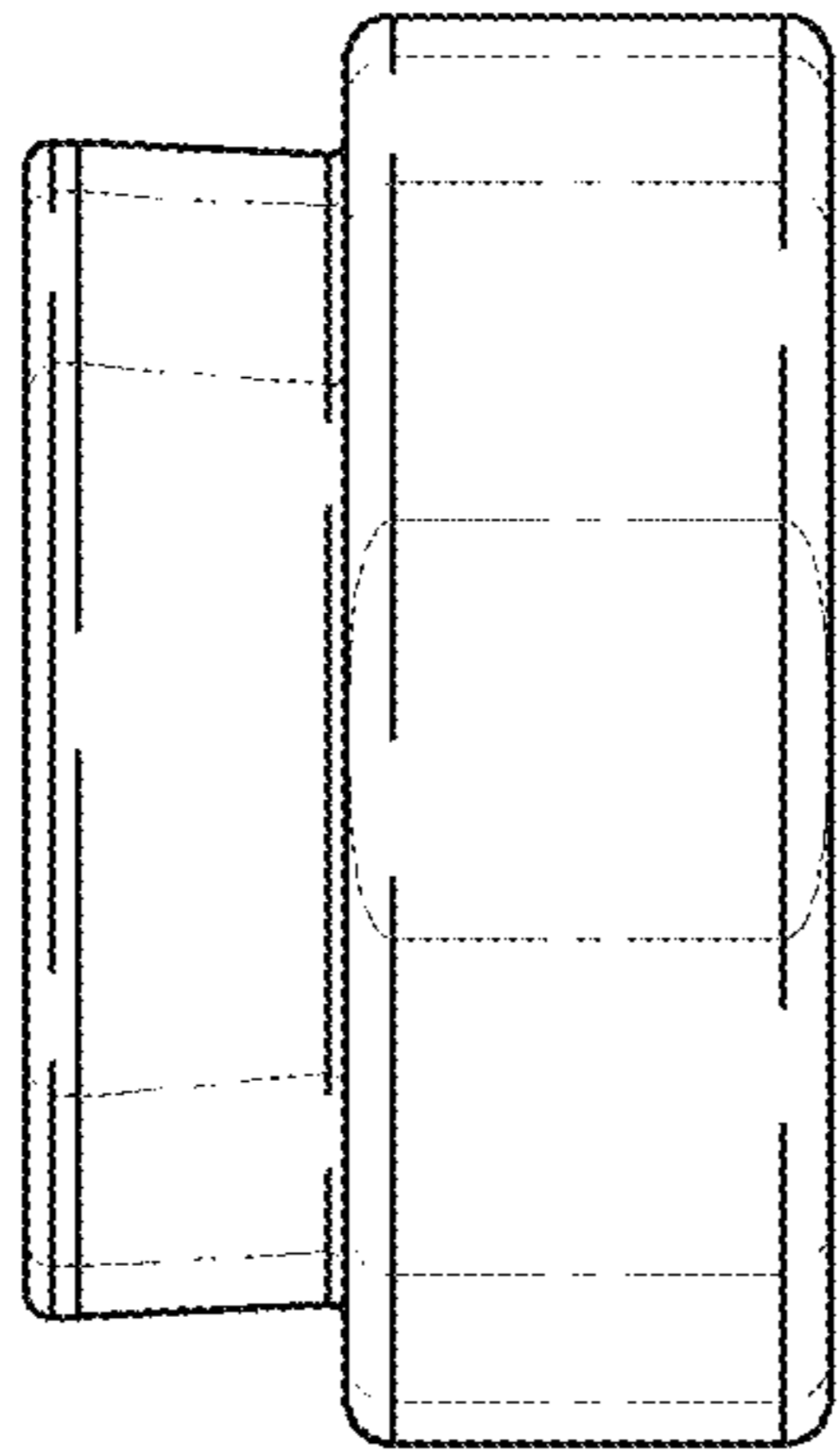


Fig. 23

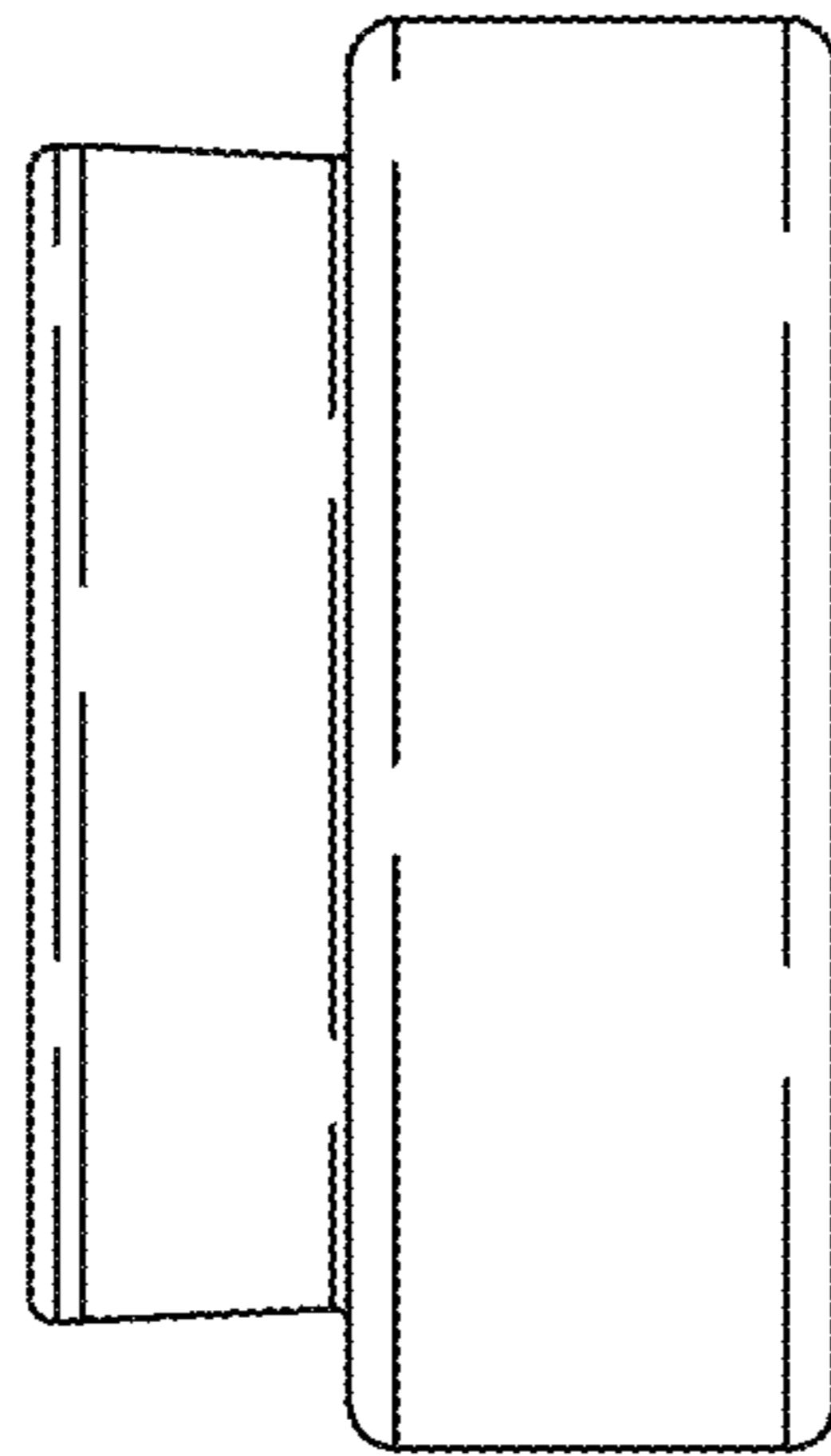


Fig. 24

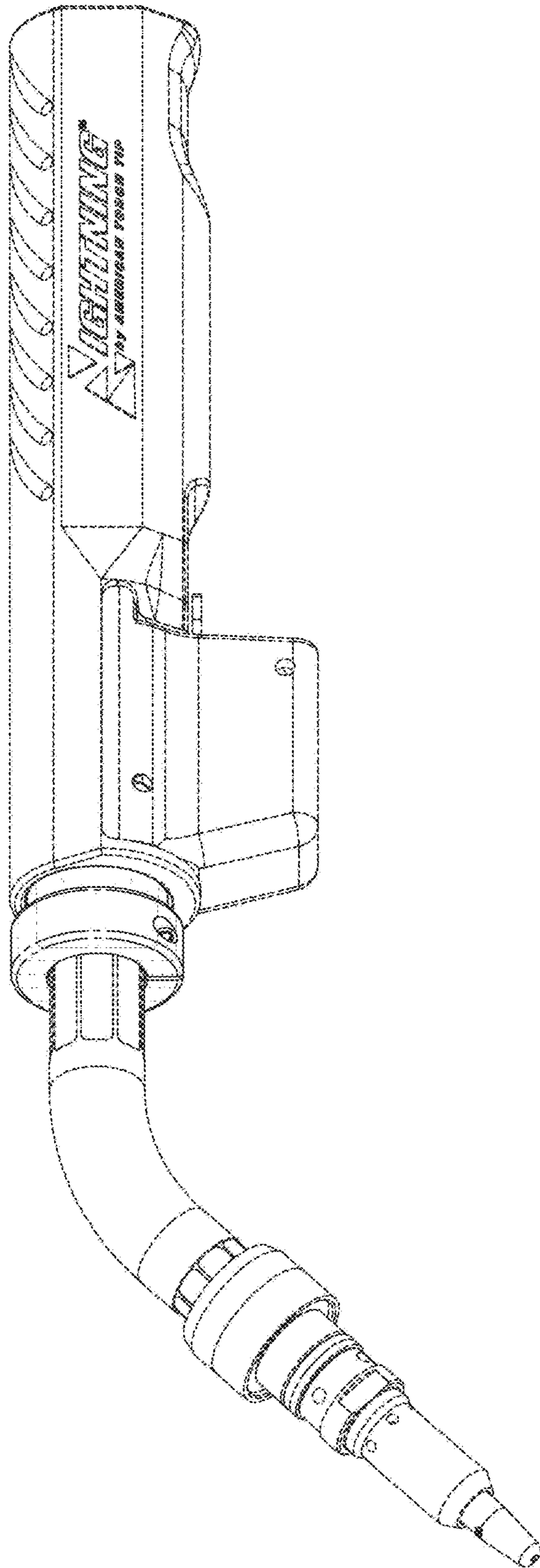


Fig. 25