

US00D944064S

(12) **United States Design Patent**  
**Hunkins**

(10) **Patent No.:** **US D944,064 S**

(45) **Date of Patent:** **\*\* Feb. 22, 2022**

(54) **MULTI-FUNCTIONAL SAFE-TOUCHING TOOL**

(71) Applicant: **Zachary Hunkins**, Los Angeles, CA (US)

(72) Inventor: **Zachary Hunkins**, Los Angeles, CA (US)

(\*\*) Term: **15 Years**

(21) Appl. No.: **29/745,753**

(22) Filed: **Aug. 7, 2020**

(51) **LOC (13) Cl.** ..... **08-05**

(52) **U.S. Cl.**  
USPC ..... **D8/14**

(58) **Field of Classification Search**  
USPC ..... D8/14, 17, 19, 105, 107, 300; D3/210; D24/133  
CPC . A45F 5/102; A45F 2005/1086; B65D 83/04; F16B 45/00; A44B 15/00  
See application file for complete search history.

(56) **References Cited**

**U.S. PATENT DOCUMENTS**

- 6,447,033 B1 \* 9/2002 Konczak ..... B65G 7/12 294/15
- 7,178,845 B1 \* 2/2007 Metzger ..... E05B 1/0053 294/169
- D694,613 S \* 12/2013 Miles ..... D8/367

- D792,922 S \* 7/2017 Benson ..... D17/22
- D802,399 S \* 11/2017 Ward ..... D8/367
- 10,036,415 B2 \* 7/2018 Yitzhaki ..... A44B 15/00
- D885,871 S \* 6/2020 Adelman ..... D8/356
- D893,986 S \* 8/2020 Adelman ..... D8/367
- 10,882,178 B1 \* 1/2021 Chang ..... E05B 1/0053
- D926,000 S \* 7/2021 Ying ..... D8/14
- D926,539 S \* 8/2021 Ying ..... D8/14
- D930,448 S \* 9/2021 Parker ..... D8/14
- 2019/0029405 A1 \* 1/2019 Kolb ..... F16B 45/00

\* cited by examiner

*Primary Examiner* — Philip S Hyder

(57) **CLAIM**

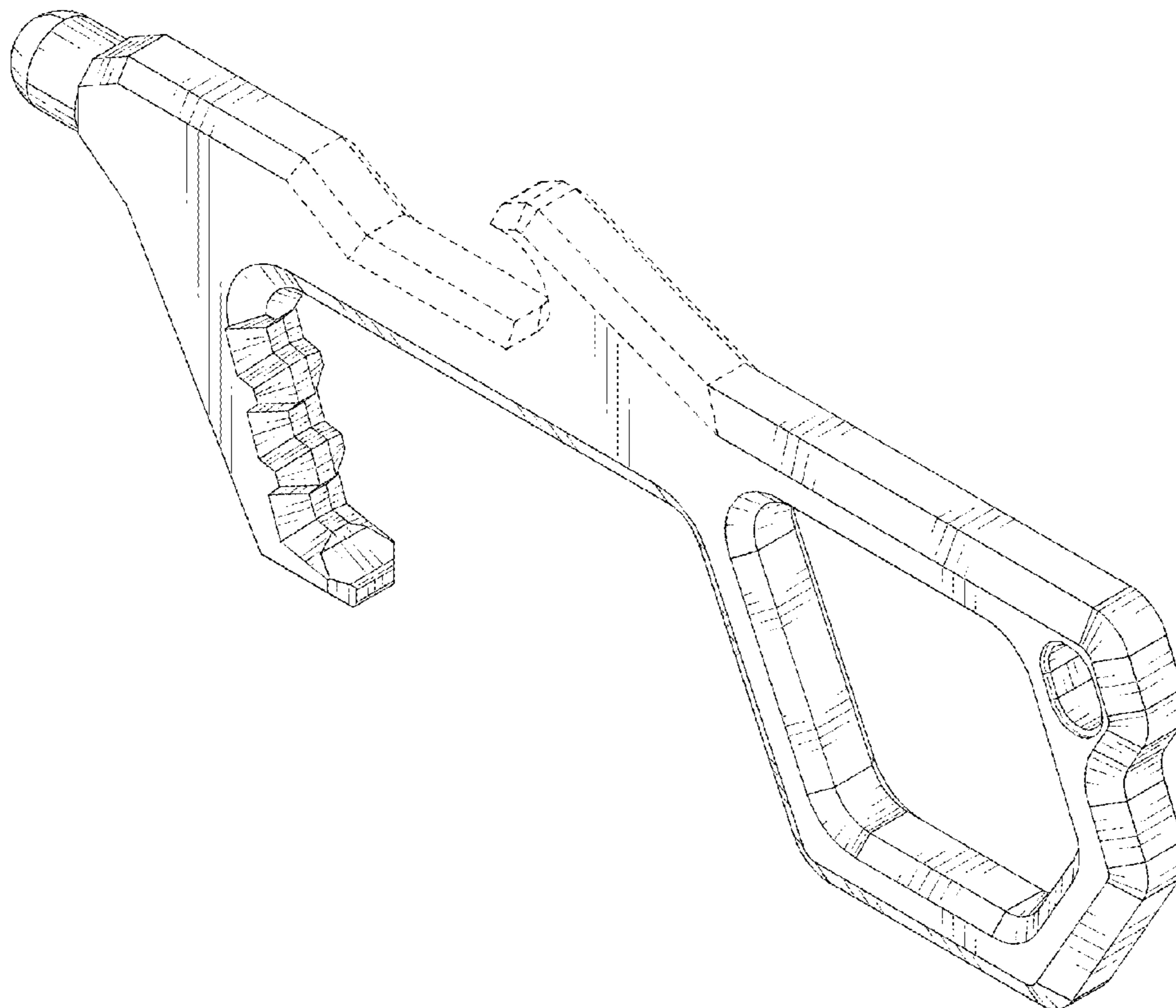
The ornamental design for a multi-functional safe-touching tool, as shown and described.

**DESCRIPTION**

FIG. 1 is a front-top-left perspective view of a multi-functional safe-touching tool showing my design; FIG. 2 is a rear-top-right perspective view thereof; FIG. 3 is a front elevational view thereof; FIG. 4 is a rear elevational view thereof; FIG. 5 is a right-side elevational view thereof; FIG. 6 is a left-side elevational view thereof; FIG. 7 is a top plan view thereof; and, FIG. 8 is a bottom plan view thereof.

The broken line showing of a bottle opener in FIGS. 1 through 7 is for the purpose of illustrating an environmental structure and forms no part of the claimed design.

**1 Claim, 8 Drawing Sheets**



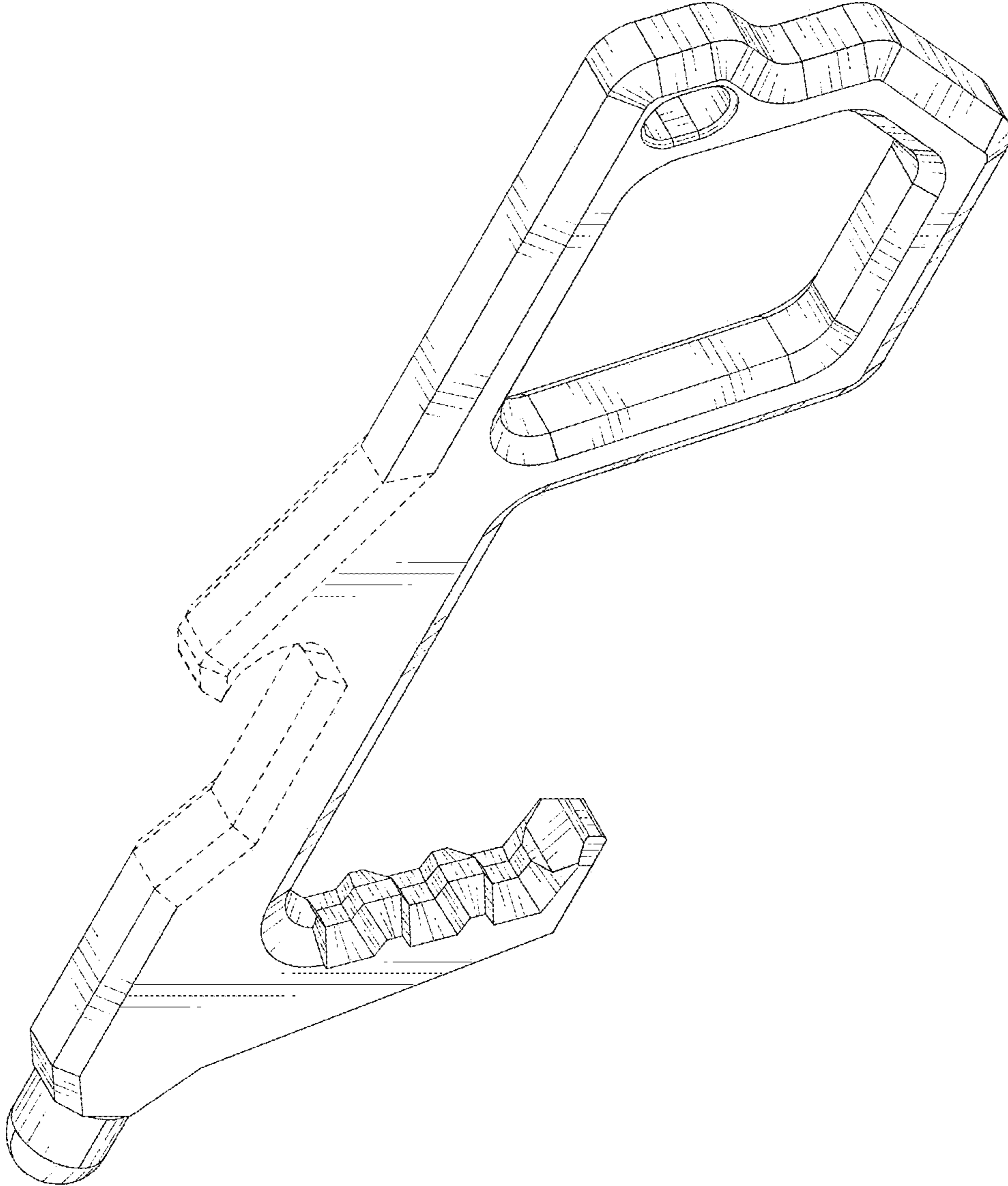


FIG. 1

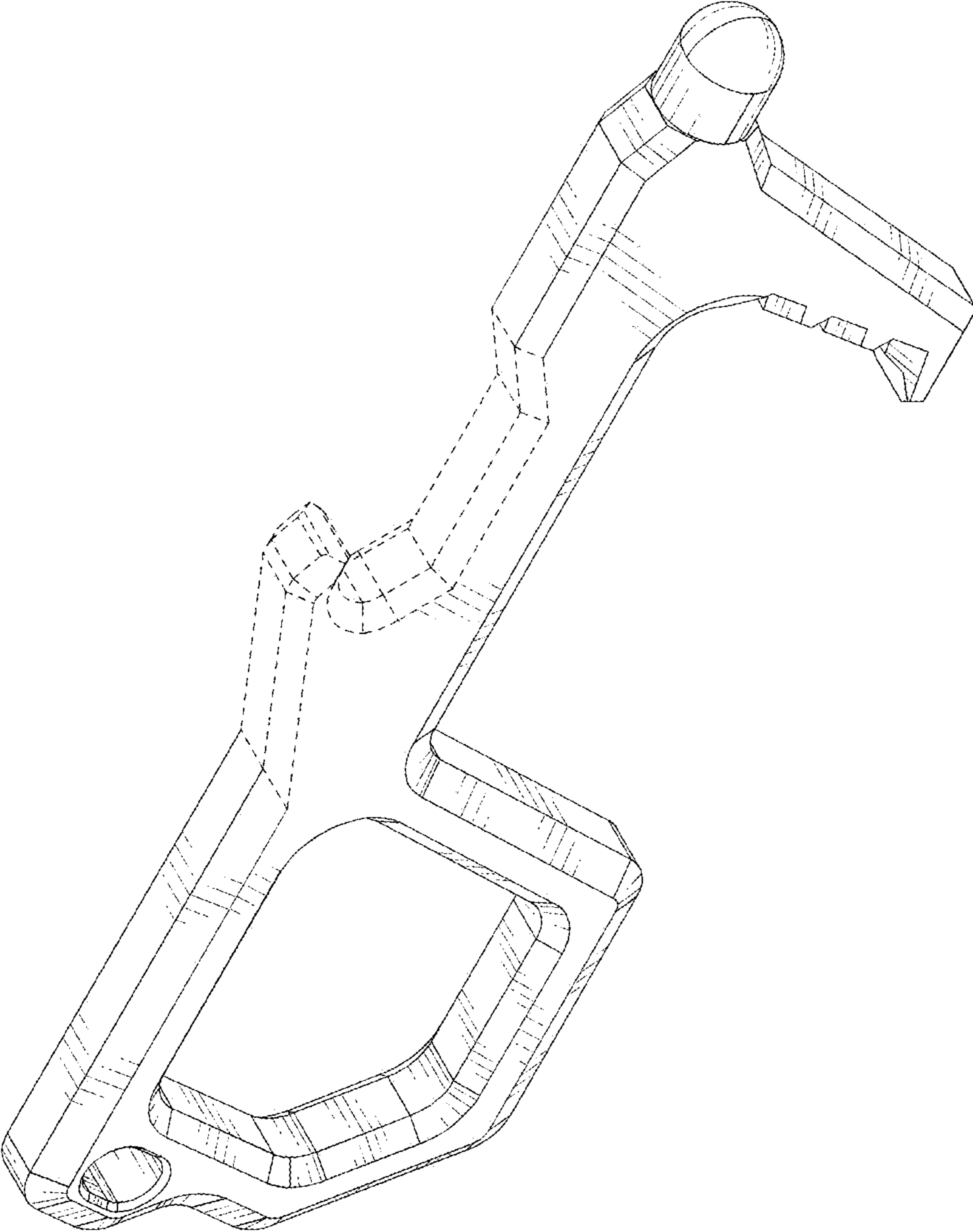


FIG. 2

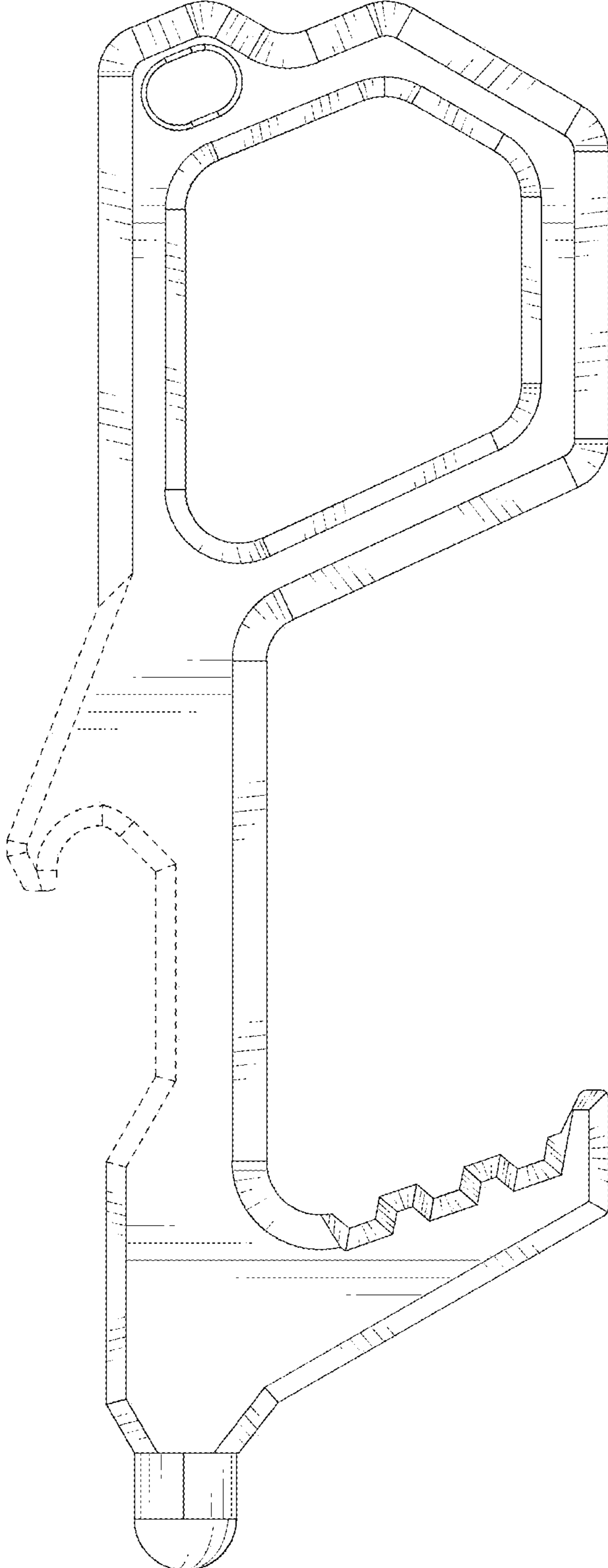


FIG. 3

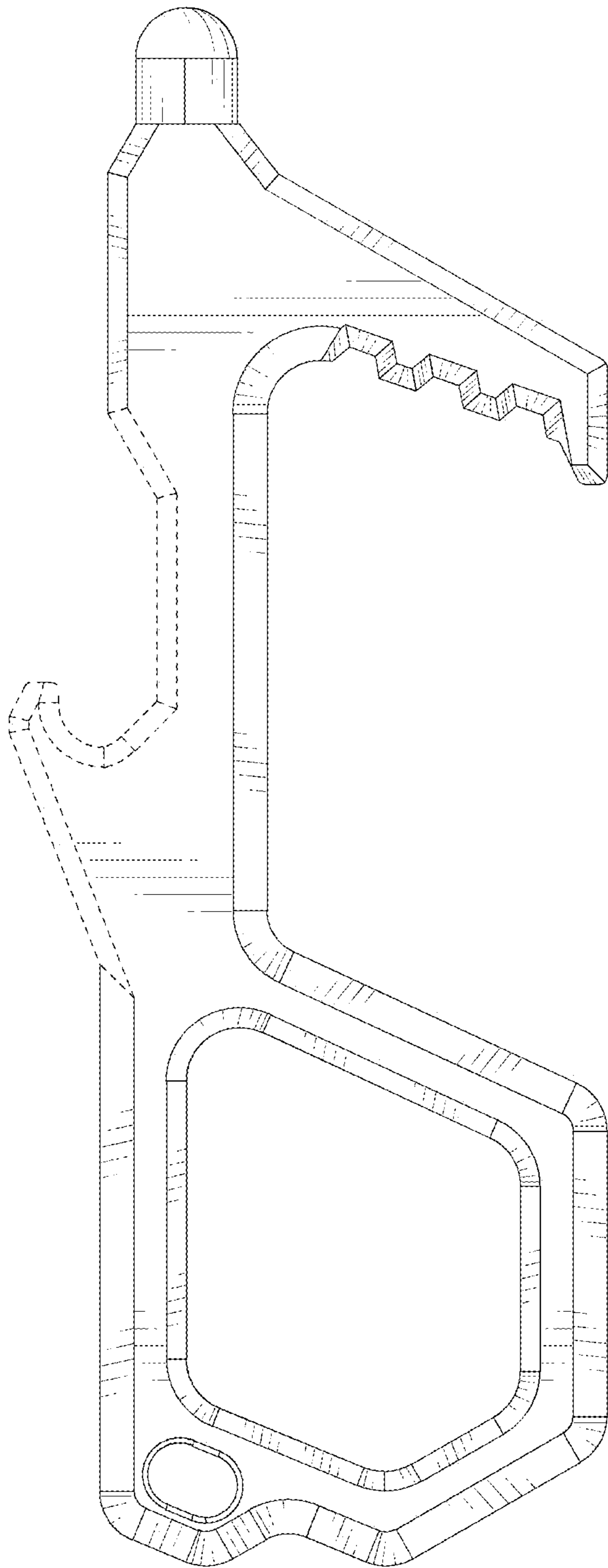


FIG. 4

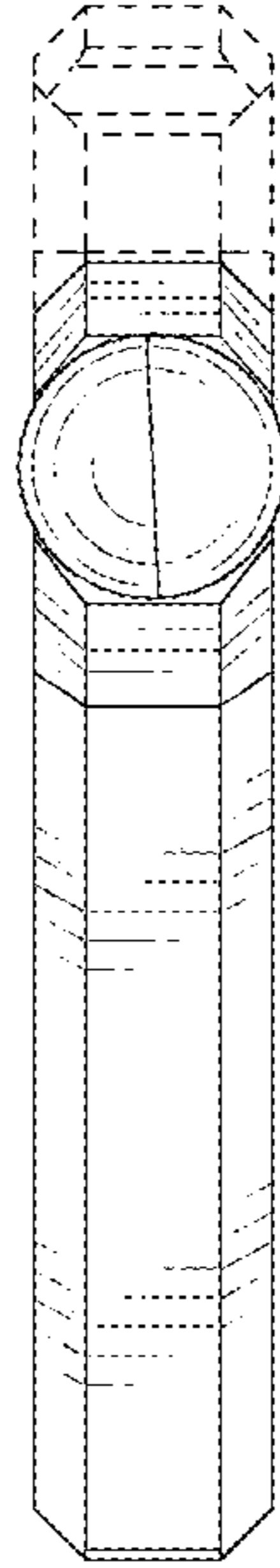


FIG. 5

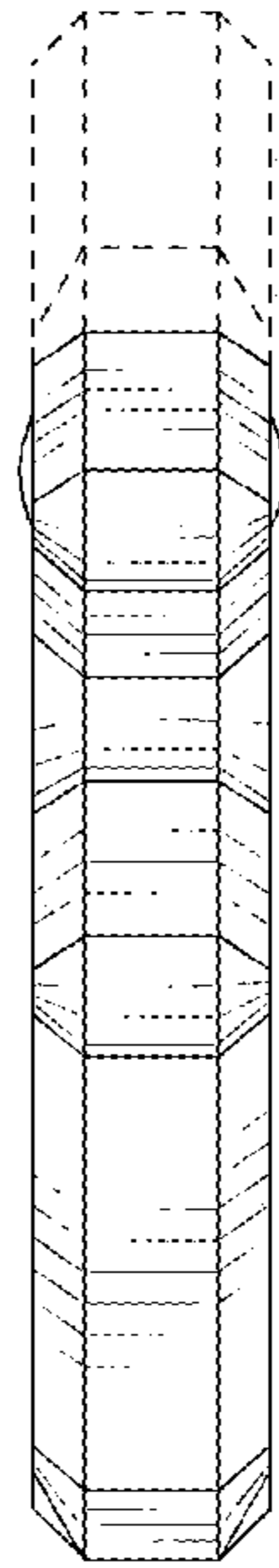


FIG. 6

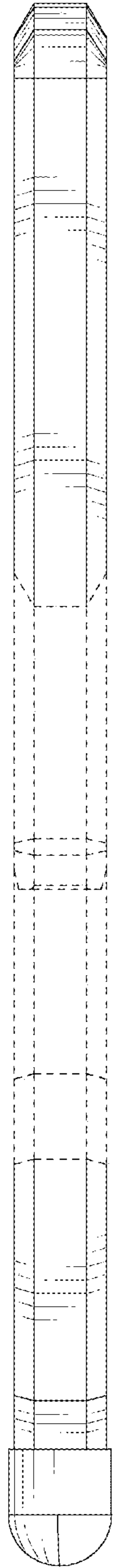


FIG. 7



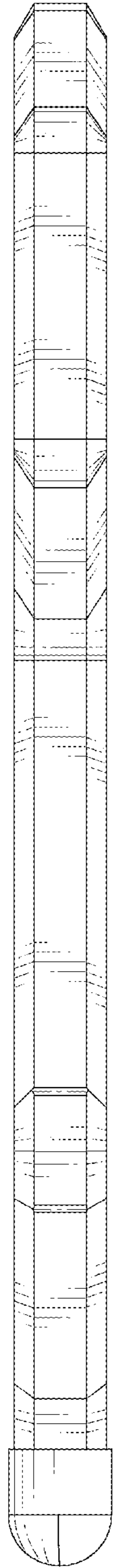


FIG. 8