



US00D944063S

(12) **United States Design Patent**
Shah

(10) **Patent No.:** **US D944,063 S**

(45) **Date of Patent:** **** Feb. 22, 2022**

(54) **INDIRECT CONTACT OPENING TOOL**

(71) Applicant: **Tejas Shah**, Indianapolis, IN (US)

(72) Inventor: **Tejas Shah**, Indianapolis, IN (US)

(**) Term: **15 Years**

(21) Appl. No.: **29/738,603**

(22) Filed: **Jun. 18, 2020**

(51) **LOC (13) Cl.** **08-05**

(52) **U.S. Cl.**
USPC **D8/14**

(58) **Field of Classification Search**
USPC D8/14, 17, 19, 105, 107, 300; D3/210;
D24/133

CPC . A45F 5/102; A45F 2005/1086; B65D 83/04;
F16B 45/00; A44B 15/00

See application file for complete search history.

(56) **References Cited**

U.S. PATENT DOCUMENTS

D444,685	S *	7/2001	Shenkel	D3/208
6,447,033	B1 *	9/2002	Konczak	B65G 7/12
					294/15
7,178,845	B1 *	2/2007	Metzger	E05B 1/0053
					294/169
D646,556	S *	10/2011	Kelleghan	D8/356
D694,613	S *	12/2013	Miles	D8/367
D737,640	S *	9/2015	Manwaring	D8/17
D758,824	S *	6/2016	Kelleghan	D8/105
D765,493	S *	9/2016	Spater	D8/356
D773,911	S *	12/2016	Louis	D8/34

D778,132	S *	2/2017	Fischer	D8/17
D792,922	S *	7/2017	Benson	D17/22
D802,399	S *	11/2017	Ward	D8/367
10,036,415	B2 *	7/2018	Yitzhaki	A44B 15/00
D885,871	S *	6/2020	Adelman	D8/356
D893,986	S *	8/2020	Adelman	D8/367
10,882,178	B1 *	1/2021	Chang	E05B 1/0053

* cited by examiner

Primary Examiner — Philip S Hyder

(74) *Attorney, Agent, or Firm* — C. John Brannon;
Brannon, Sowers & Cracraft PC

(57) **CLAIM**

The ornamental design for an indirect contact opening tool, as shown and described.

DESCRIPTION

FIG. 1 is a top perspective view of an indirect contact opening tool showing my new design.

FIG. 2 is a bottom perspective view of the indirect contact opening tool of FIG. 1.

FIG. 3 is a top plan view of the embodiment of the indirect contact opening tool of FIG. 1.

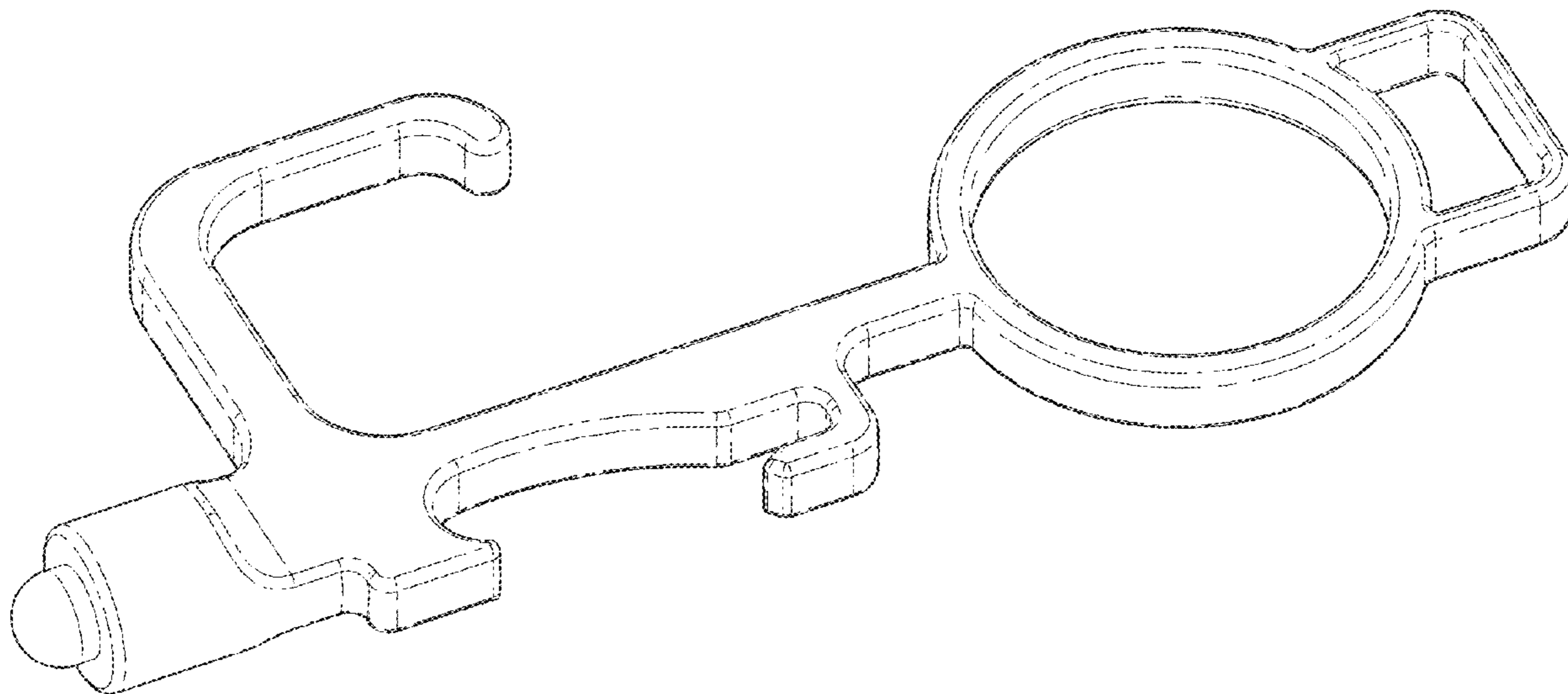
FIG. 4 is a right side elevation view of the embodiment of the indirect contact opening tool of FIG. 1.

FIG. 5 is a left side elevation view of one end of the embodiment of the indirect contact opening tool of FIG. 1.

FIG. 6 is a front elevation view of one end of the embodiment of the indirect contact opening tool of FIG. 1; and,

FIG. 7 is a rear elevation view of the embodiment of the indirect contact opening tool of FIG. 1.

1 Claim, 3 Drawing Sheets



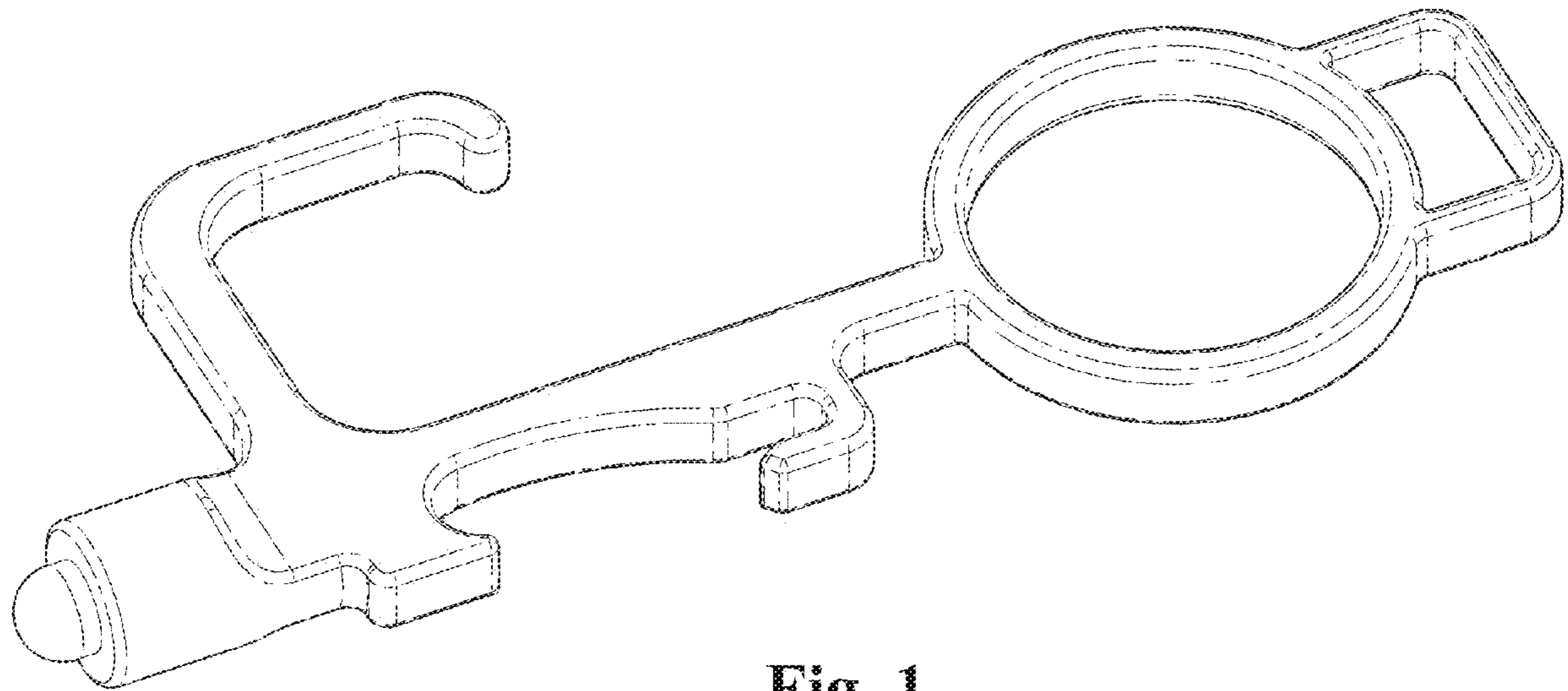


Fig. 1

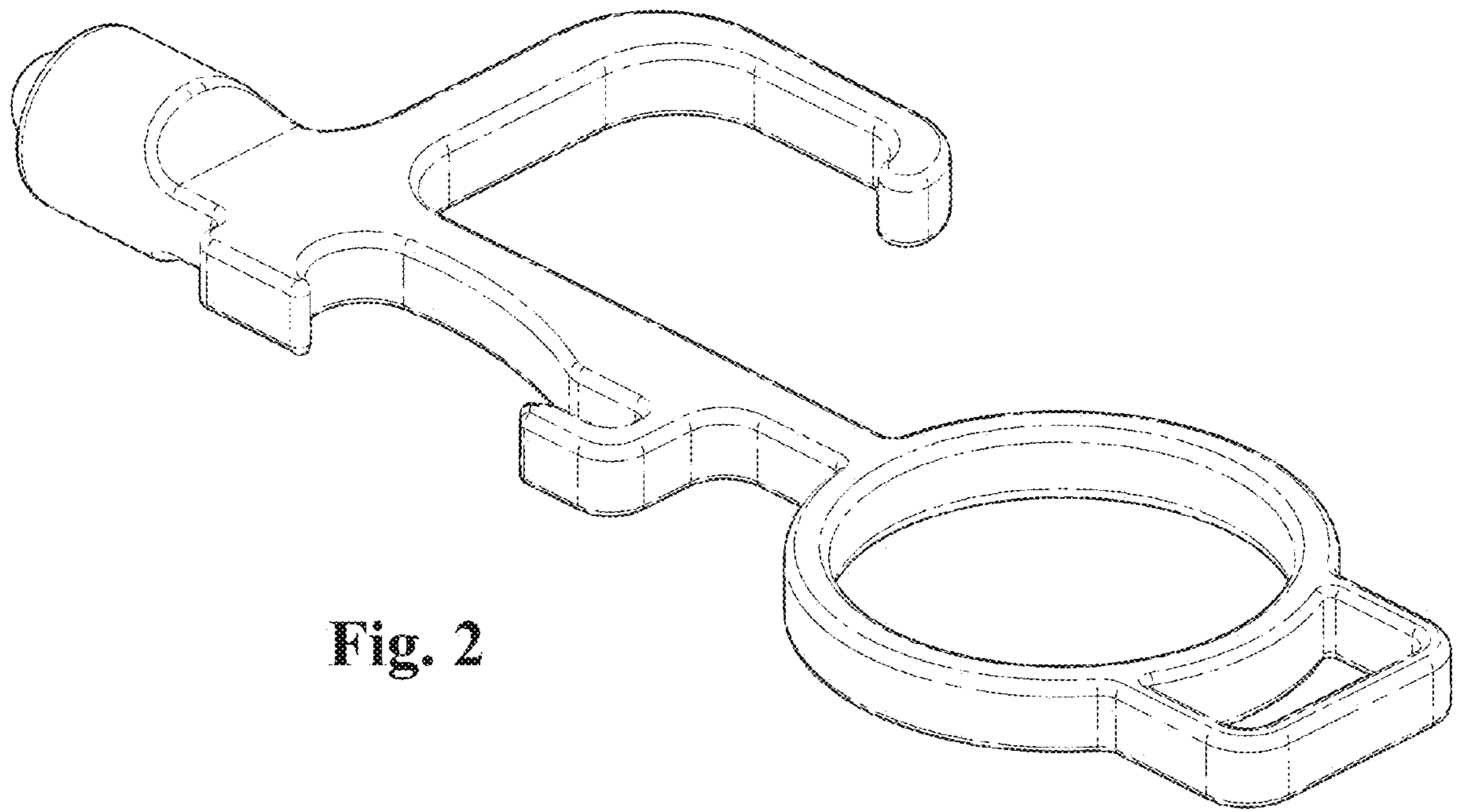


Fig. 2

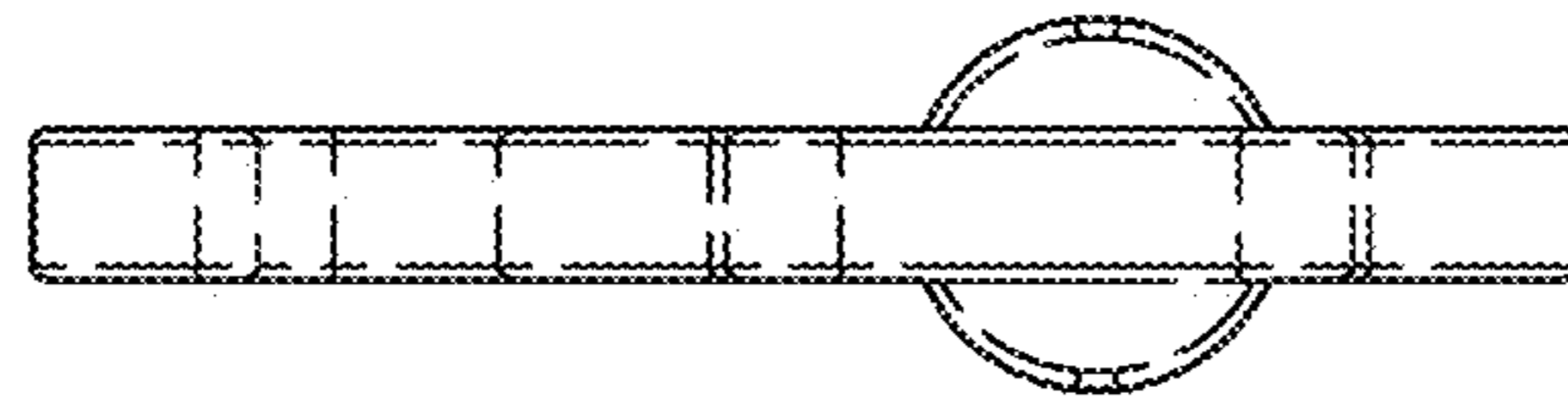


Fig. 6

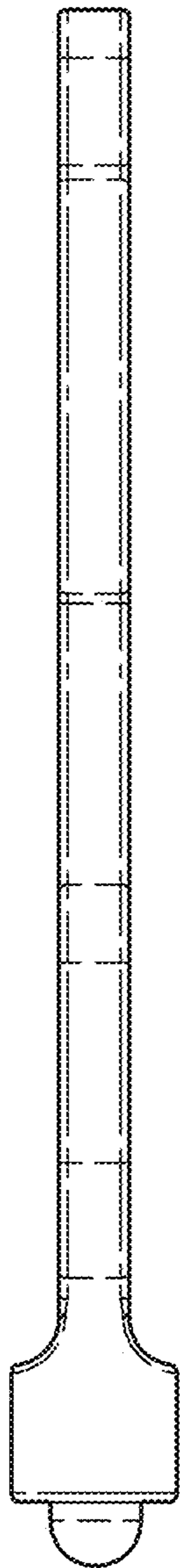


Fig. 5

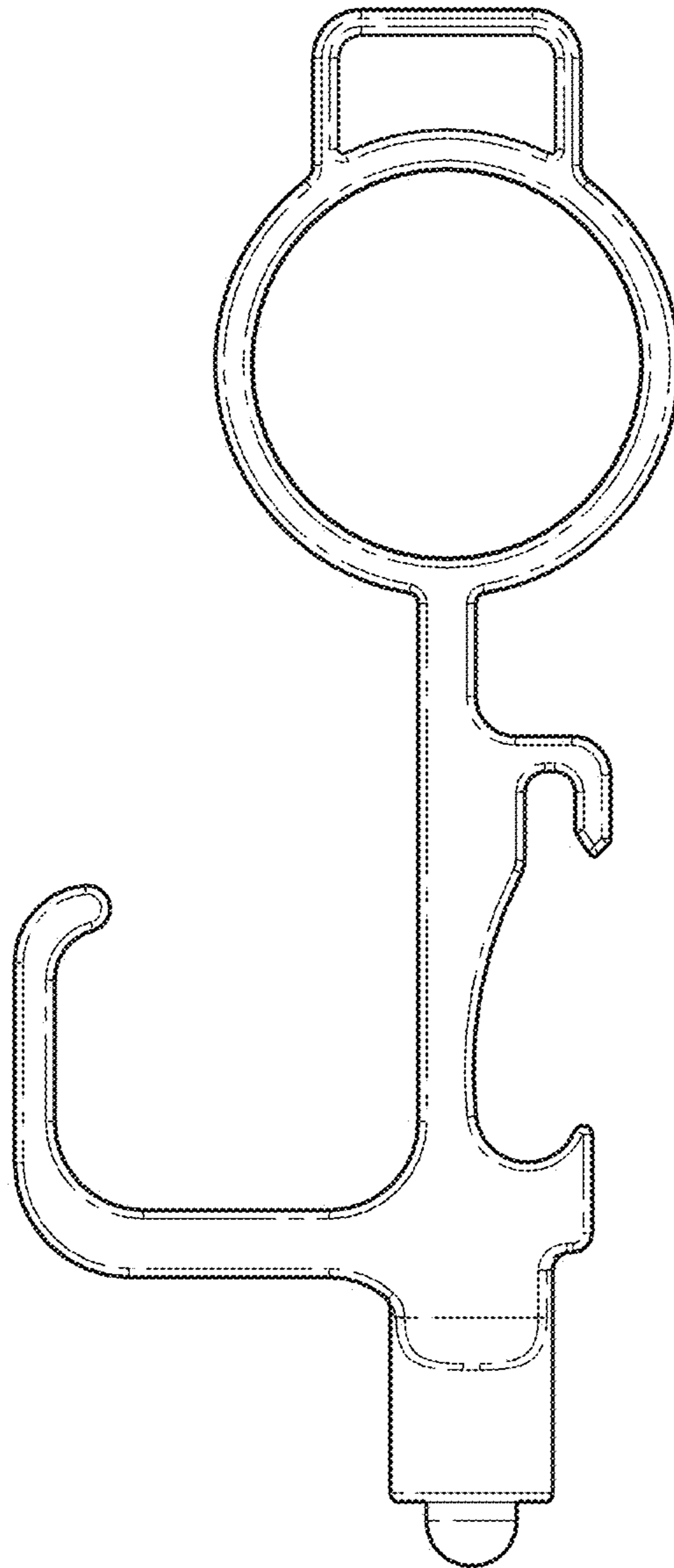


Fig. 3

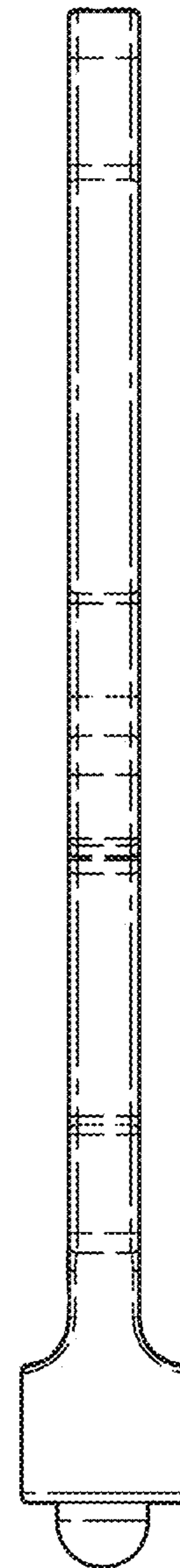


Fig. 4

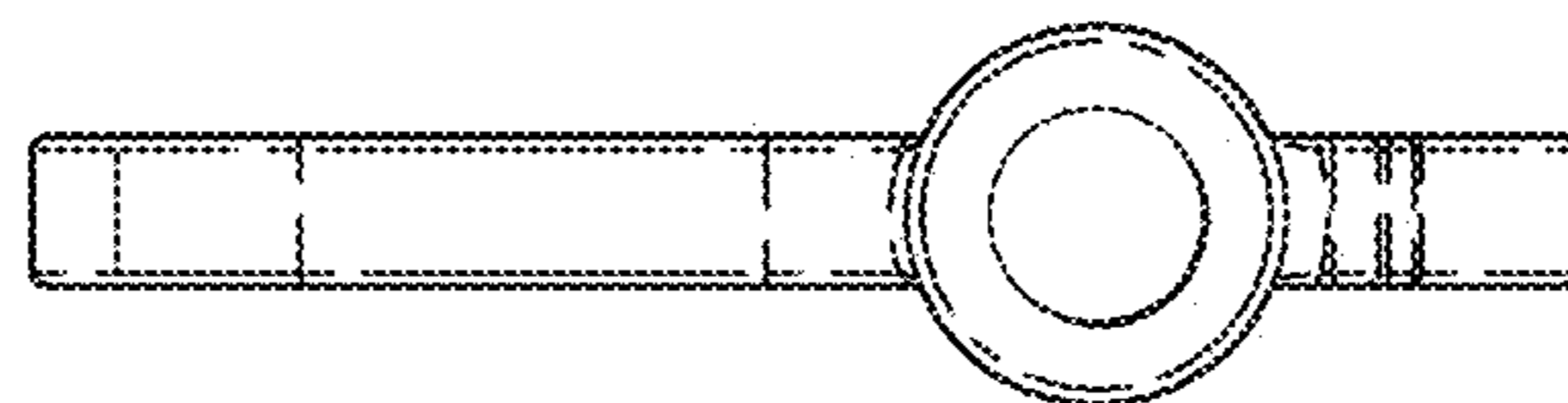


Fig. 7