

US00D944062S

(12) **United States Design Patent**
Puga

(10) **Patent No.:** **US D944,062 S**

(45) **Date of Patent:** **** Feb. 22, 2022**

(54) **AGRICULTURAL DEVICE**

(71) Applicant: **GP Tecnic SL**, Almeria (ES)

(72) Inventor: **German Granados Puga**, Almeria (ES)

(**) Term: **15 Years**

(21) Appl. No.: **29/746,661**

(22) Filed: **Aug. 16, 2020**

(30) **Foreign Application Priority Data**

Feb. 18, 2020 (EP) 007698816-0002

(51) **LOC (13) Cl.** **08-01**

(52) **U.S. Cl.**
USPC **D8/1; D8/354**

(58) **Field of Classification Search**
USPC D8/349, 354, 1, 371, 363, 373, 380;
D6/403, 556, 567, 565
CPC A01G 17/06; A01G 17/08; A01G 17/40;
A01G 17/14; A01G 17/04; A01G 17/065;
A01G 17/00; A01G 9/12; H02G 7/08
See application file for complete search history.

(56) **References Cited**

U.S. PATENT DOCUMENTS

3,878,590 A * 4/1975 Bolger A01G 17/08
47/44

4,270,581 A * 6/1981 Claxton E04H 17/268
140/57

4,750,293 A * 6/1988 Dyke A01G 9/122
248/316.7

4,881,342 A * 11/1989 Ferguson A01G 9/128
47/47

5,210,973 A * 5/1993 Kratky A01G 9/128
47/44

D349,435 S * 8/1994 Taylor D8/1

5,341,593 A * 8/1994 Foreman A01G 9/12
47/47

5,613,656 A * 3/1997 Protz, Jr. H02G 7/08
24/115 F

D412,649 S * 8/1999 Najarian D8/1

6,000,172 A * 12/1999 Ballarino A01G 17/06
47/47

D418,725 S * 1/2000 Evans D8/1

D420,554 S * 2/2000 Evans D8/1

6,209,258 B1 * 4/2001 Schneider A01G 9/124
47/46

6,254,049 B1 * 7/2001 Goehly A01G 17/08
248/302

6,378,175 B1 * 4/2002 Vanderpan A01G 17/08
24/336

6,389,656 B1 * 5/2002 Pellikaan A01G 9/128
24/326

6,405,479 B1 * 6/2002 Sherman A01G 17/08
47/46

6,578,318 B1 * 6/2003 Clark A01G 17/005
47/58.1 FV

D510,846 S * 10/2005 Hardy D8/1

D587,564 S * 3/2009 Kodi D8/354

D625,580 S * 10/2010 Giordano D8/349

10,517,232 B2 * 12/2019 Sowinski A01G 17/06

(Continued)

Primary Examiner — Mark A Goodwin
(74) *Attorney, Agent, or Firm* — Will Hunziker

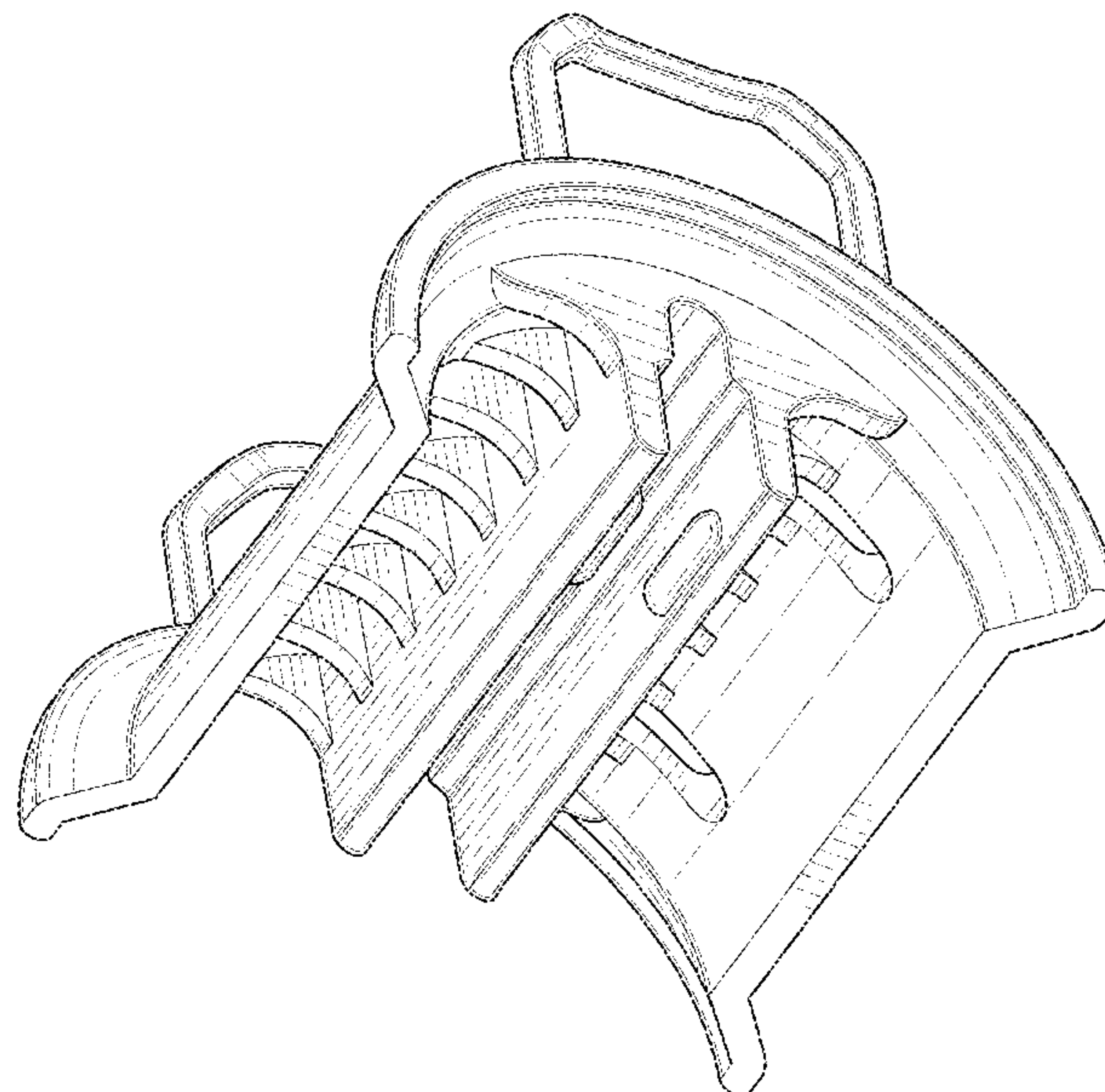
(57) **CLAIM**

The ornamental design for an agricultural device, as shown and described.

DESCRIPTION

FIG. 1 is a bottom perspective view of an agricultural device showing our new design.
FIG. 2 is a front view thereof.
FIG. 3 is a back view thereof.
FIG. 4 is a bottom view thereof.
FIG. 5 is a top view thereof.
FIG. 6 is a left side view thereof; and,
FIG. 7 is a right side view thereof.

1 Claim, 4 Drawing Sheets



(56)

References Cited

U.S. PATENT DOCUMENTS

D886,486 S * 6/2020 Ripoll D6/403
D897,718 S * 10/2020 Cute D6/403
2003/0097788 A1* 5/2003 Pierce, Jr. A01G 17/06
47/47
2013/0333283 A1* 12/2013 Patterson, Sr. A01G 25/00
47/45
2014/0366437 A1* 12/2014 Serio A01G 9/122
47/47
2016/0295811 A1* 10/2016 Rider A01G 9/128
2017/0261019 A1* 9/2017 Johnson F16B 2/241
2017/0325414 A1* 11/2017 Sowinski A01G 17/06
2018/0352751 A1* 12/2018 Carlsson B65D 85/52
2019/0239449 A1* 8/2019 Eddins A01G 9/124
2020/0053968 A1* 2/2020 Sowinski A01G 17/06

* cited by examiner

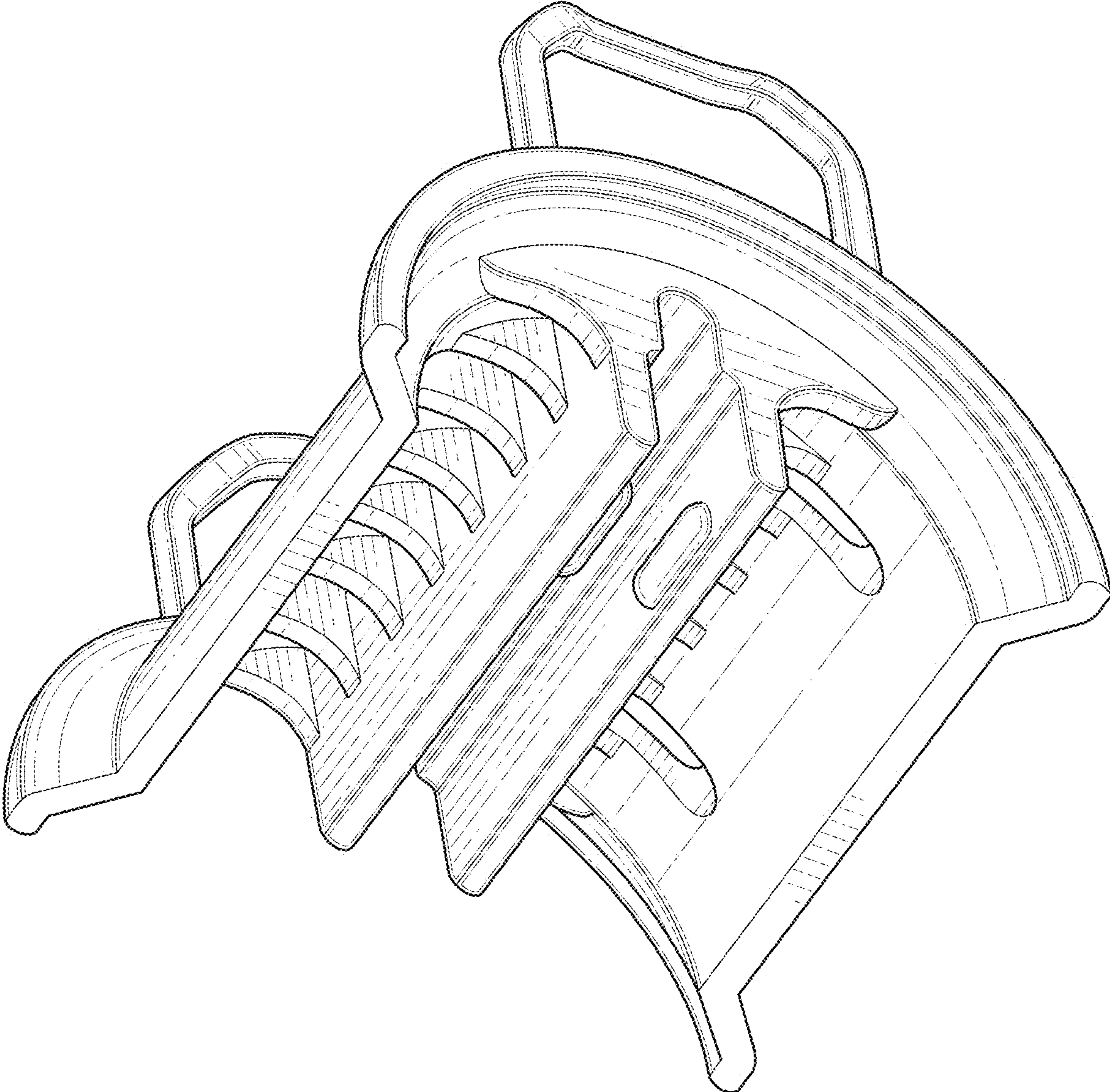


FIG. 1

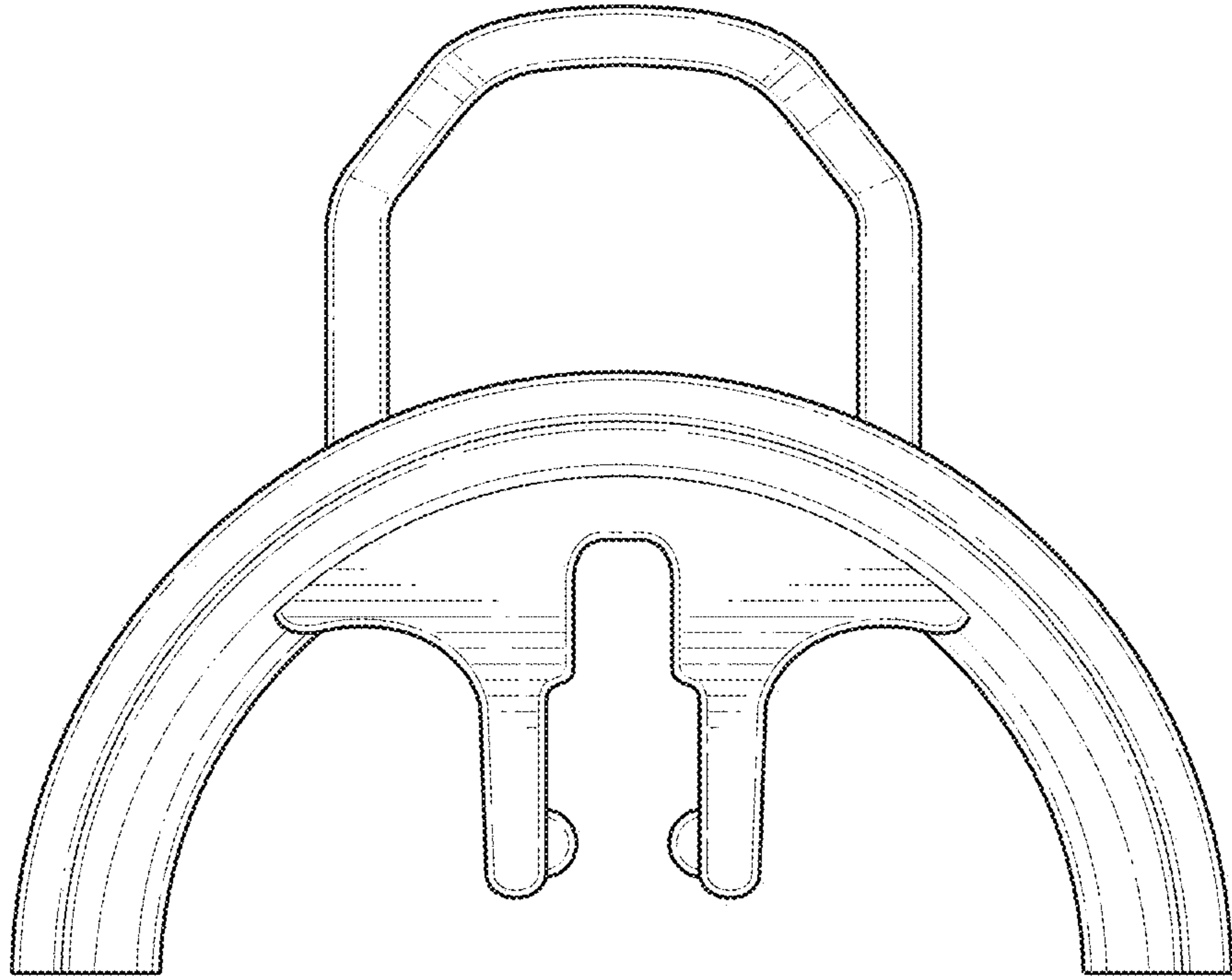


FIG. 2

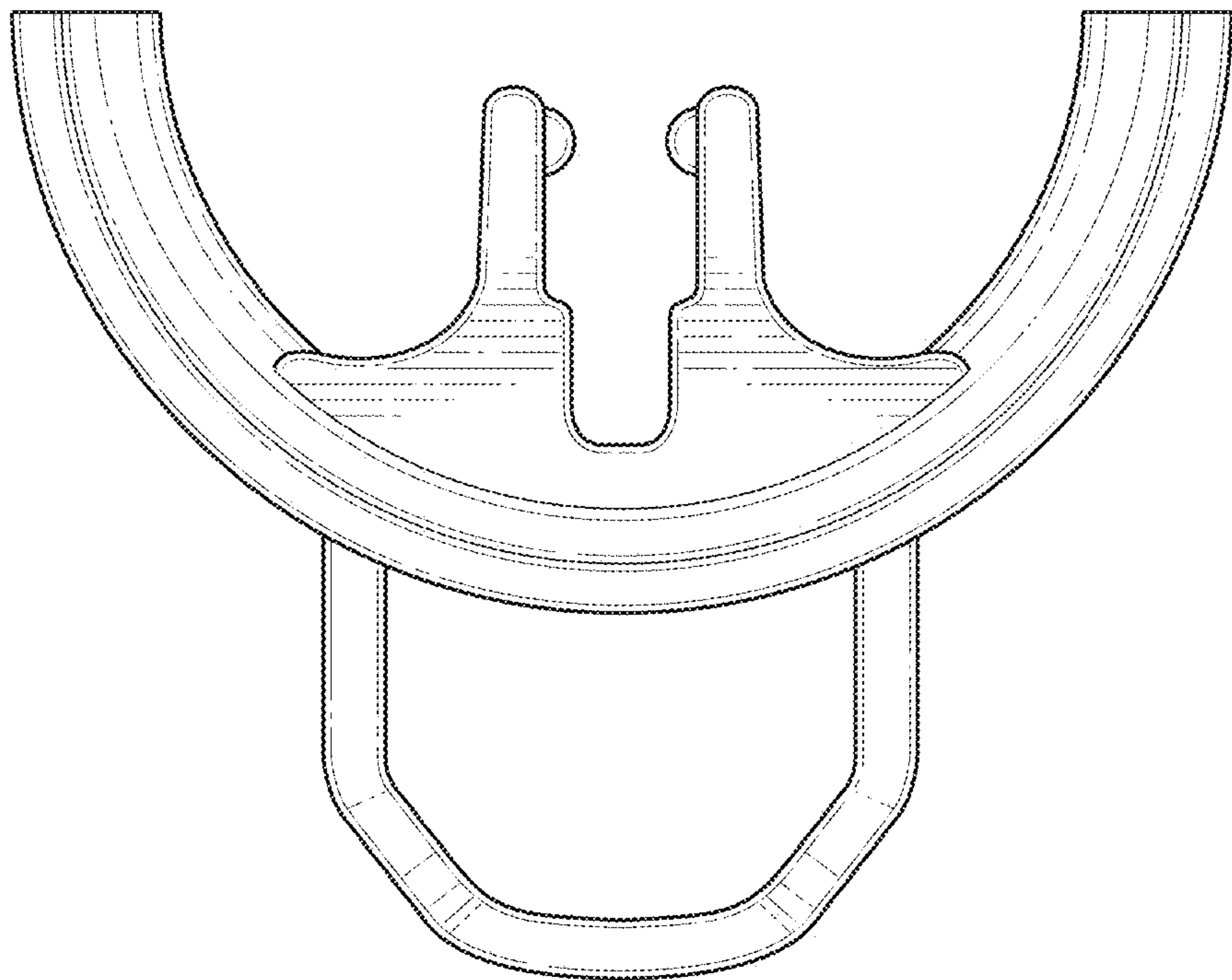


FIG. 3

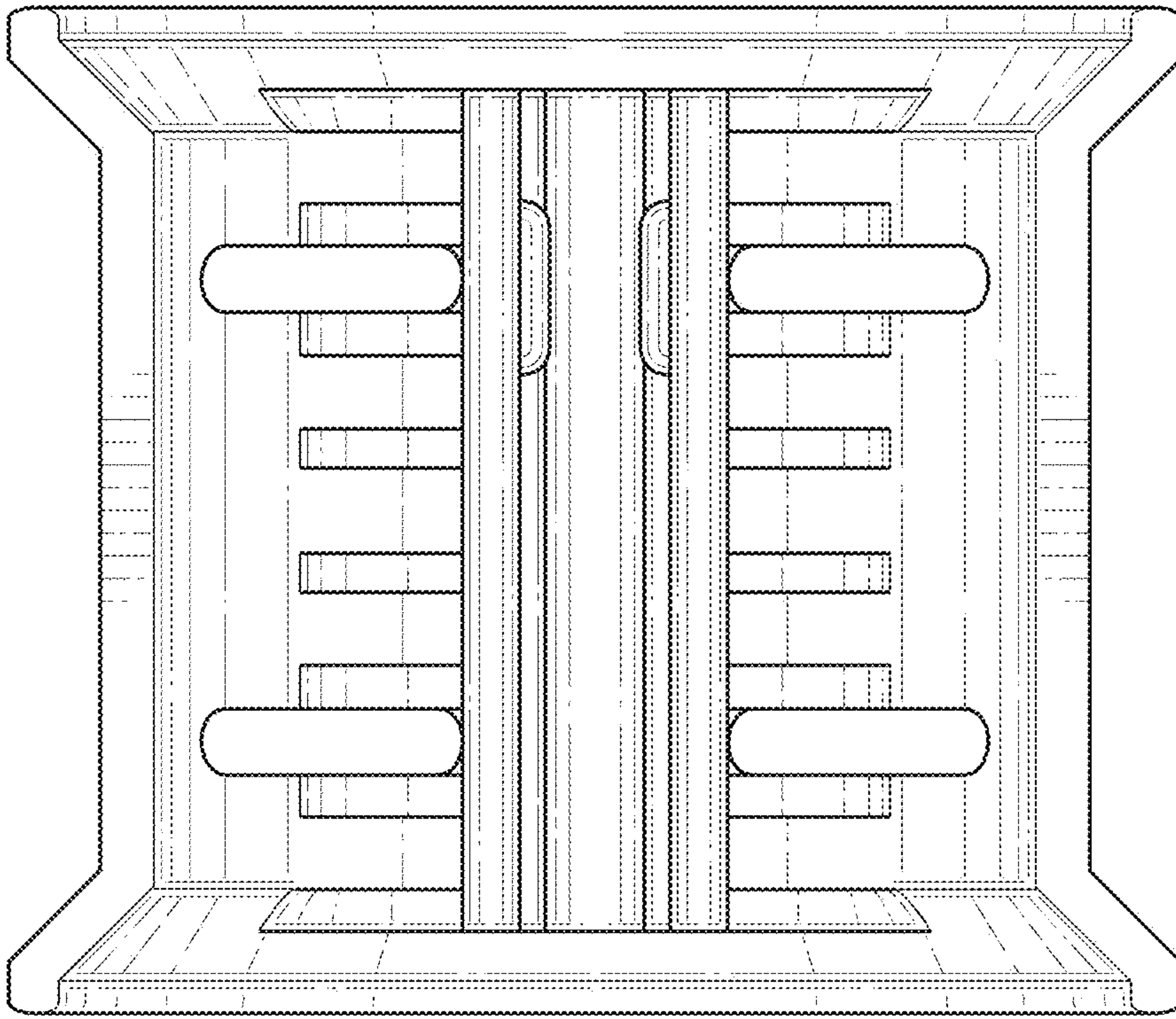


FIG. 4

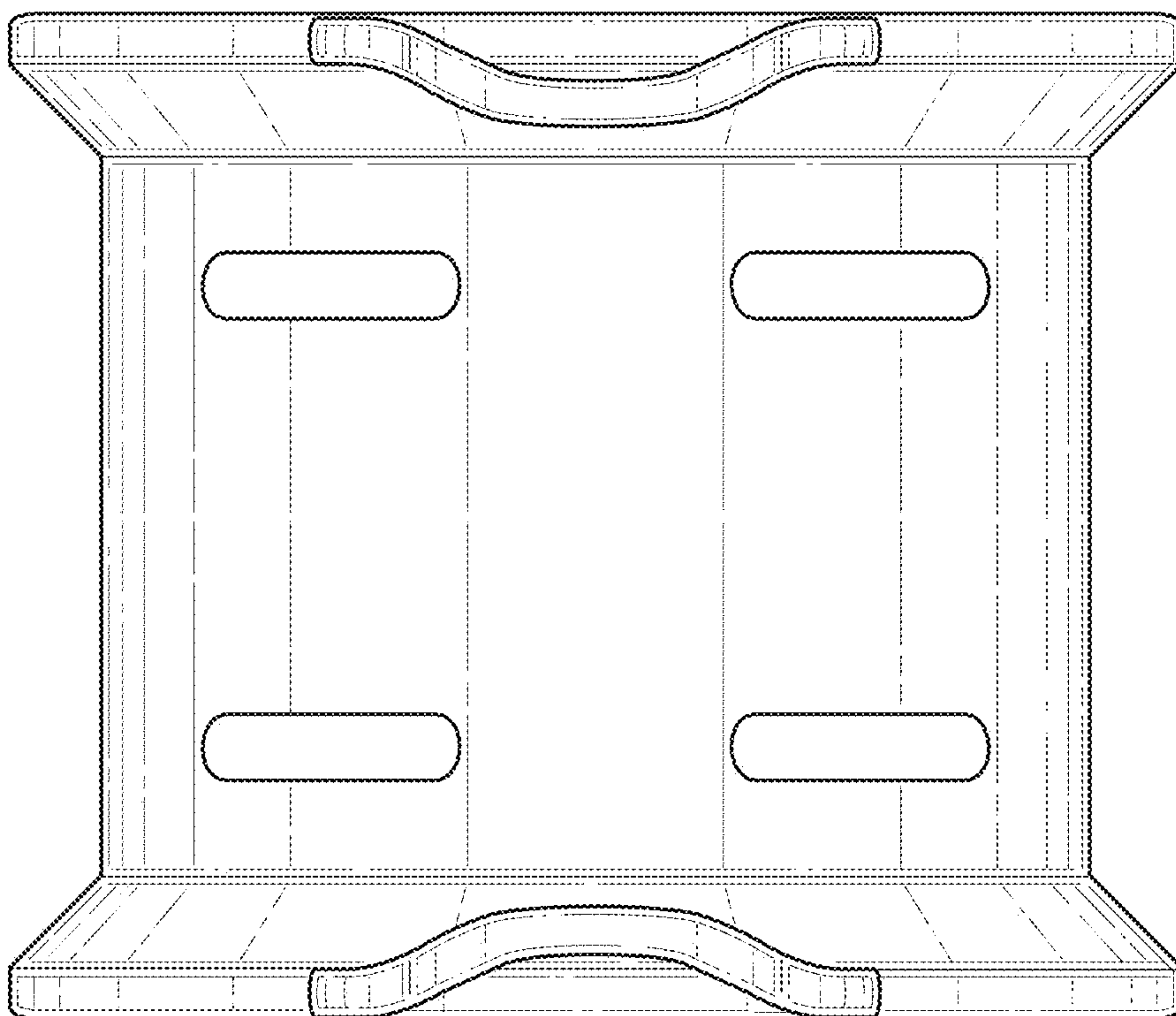


FIG. 5

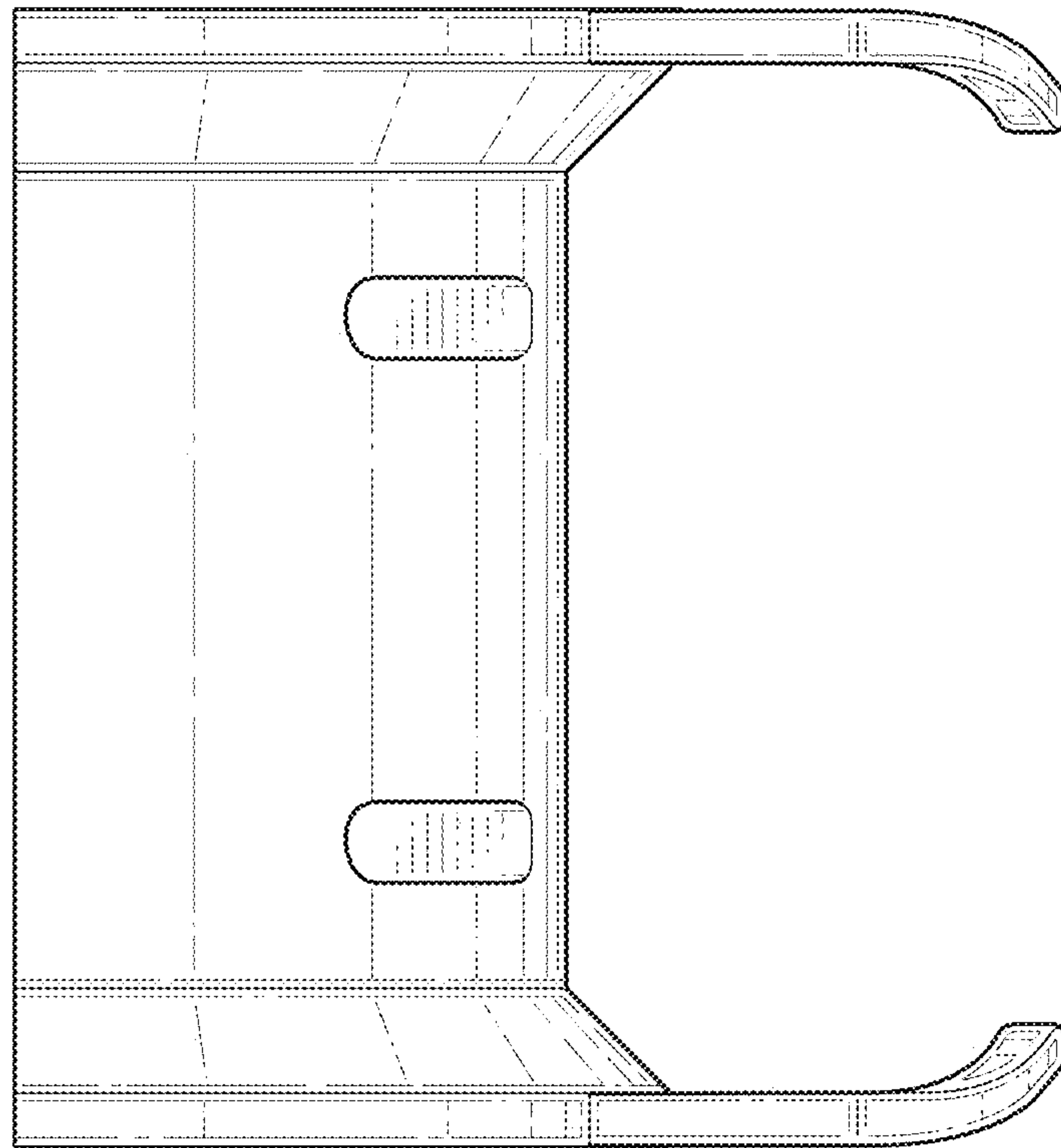


FIG. 6

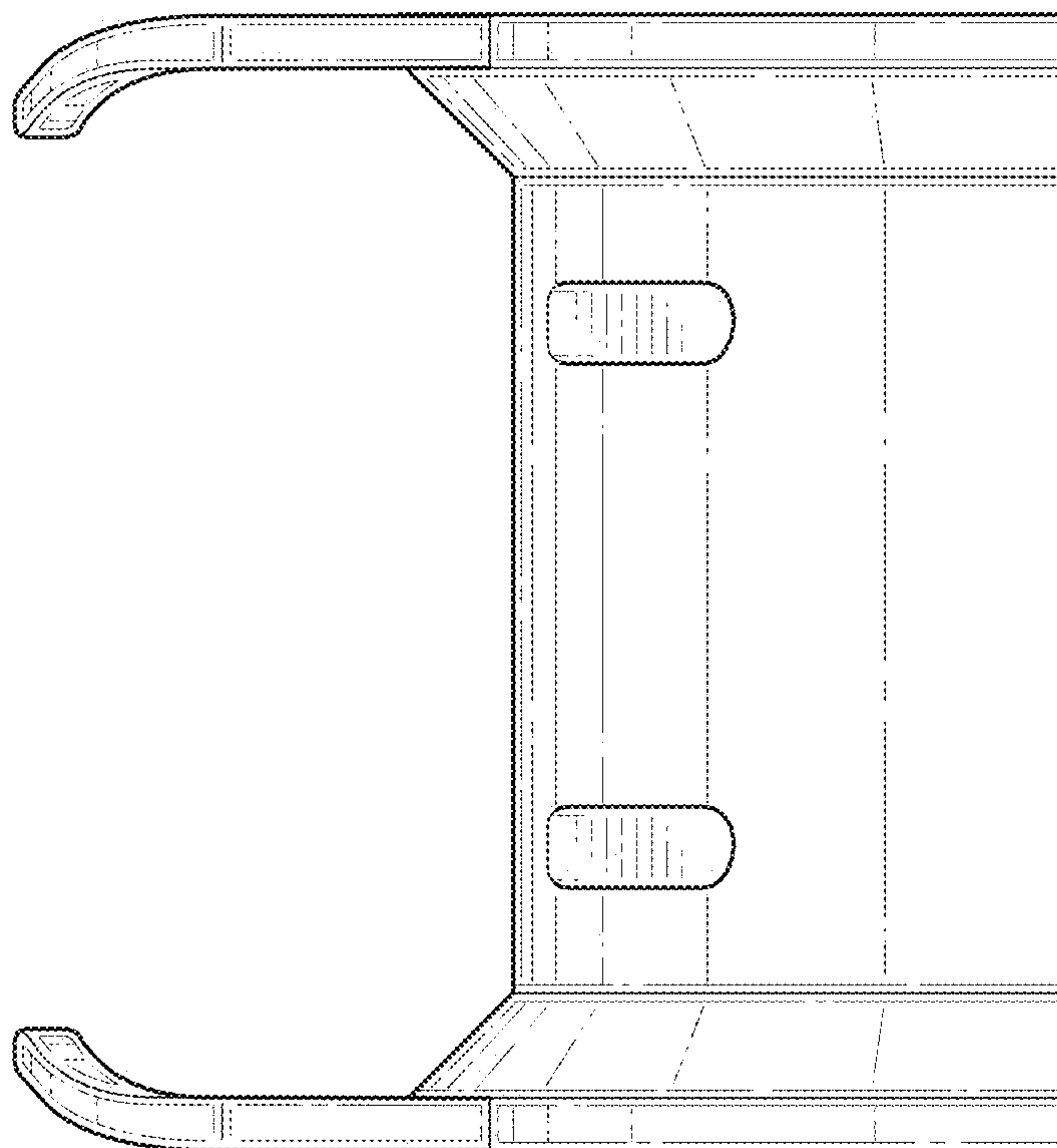


FIG. 7