



US00D944060S

(12) **United States Design Patent** (10) **Patent No.:** **US D944,060 S**
Collom (45) **Date of Patent:** **** Feb. 22, 2022**

(54) **PLANT HYDRATING COASTER**
(71) Applicant: **Freddy C. Collom**, Mission, TX (US)
(72) Inventor: **Freddy C. Collom**, Mission, TX (US)
(**) Term: **15 Years**
(21) Appl. No.: **29/722,114**
(22) Filed: **Jan. 27, 2020**
(51) **LOC (13) Cl.** **07-06**
(52) **U.S. Cl.**
USPC **D7/619.1; D11/144**
(58) **Field of Classification Search**
USPC D7/619.1-625; D11/144
CPC A01G 27/00; A01G 27/02; A01G 27/04;
A47G 23/0241; A47G 23/0216; A47G
23/0258; A47G 23/0266; A47G 23/0306;
A47G 7/041; A45C 11/20; F25D 3/08;
F25D 31/007; F25D 31/008; F25D
31/002; F25D 31/006
See application file for complete search history.

(56) **References Cited**
U.S. PATENT DOCUMENTS
3,491,976 A 1/1970 Larson
D408,227 S * 4/1999 Swann, Jr. D7/624.1
D676,716 S * 2/2013 Lalo D7/619.1
8,534,491 B1 9/2013 Stocker
D871,164 S * 12/2019 Pawlik D7/619.1
2011/0232184 A1* 9/2011 Fagan A47G 7/041
47/66.6
2014/0332644 A1 11/2014 Davis

2018/0184601 A1* 7/2018 Graffius A01G 27/02
2018/0295798 A1* 10/2018 Jordan A01G 27/02
2019/0200541 A1* 7/2019 Park A01G 9/042

OTHER PUBLICATIONS

12 Extraordinary Tree Coat Racks To Break The Monotony In The Home. Product Listing [online]. Pinterest.com [retrieved on Jul. 10, 2019]. Retrieved from the Internet: <URL: <https://www.pinterest.com/pin/295759900508846037/>>.
What is a Living Coaster?. Product Listing [online]. © Copyright 2018. [retrieved on Jul. 10, 2019]. Retrieved from the Internet: <URL: <http://www.livingcoaster.com/>>.

* cited by examiner

Primary Examiner — Terry A Wallace
(74) *Attorney, Agent, or Firm* — Cramer Patent & Design PLLC; Aaron R. Cramer

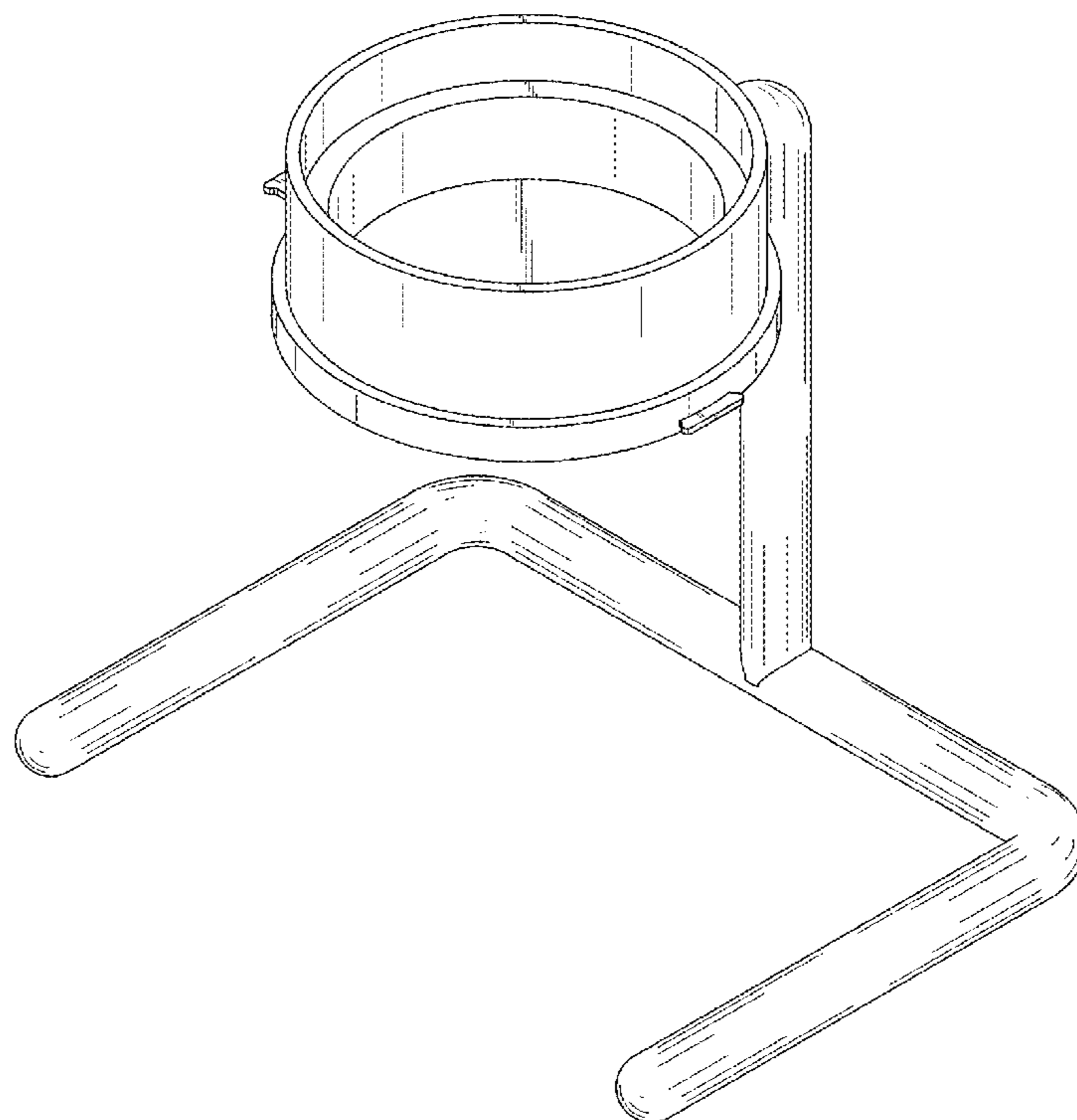
(57) **CLAIM**

The ornamental design for a plant hydrating coaster, as shown and described.

DESCRIPTION

FIG. 1 is a perspective top front right view of a plant hydrating coaster, showing my new design;
FIG. 2 is a perspective top rear left view thereof;
FIG. 3 is a front elevation view thereof;
FIG. 4 is a rear elevation view thereof;
FIG. 5 is a right elevation view thereof;
FIG. 6 is a left elevation view thereof;
FIG. 7 is a bottom plan view thereof; and,
FIG. 8 is a top plan view thereof.

1 Claim, 8 Drawing Sheets



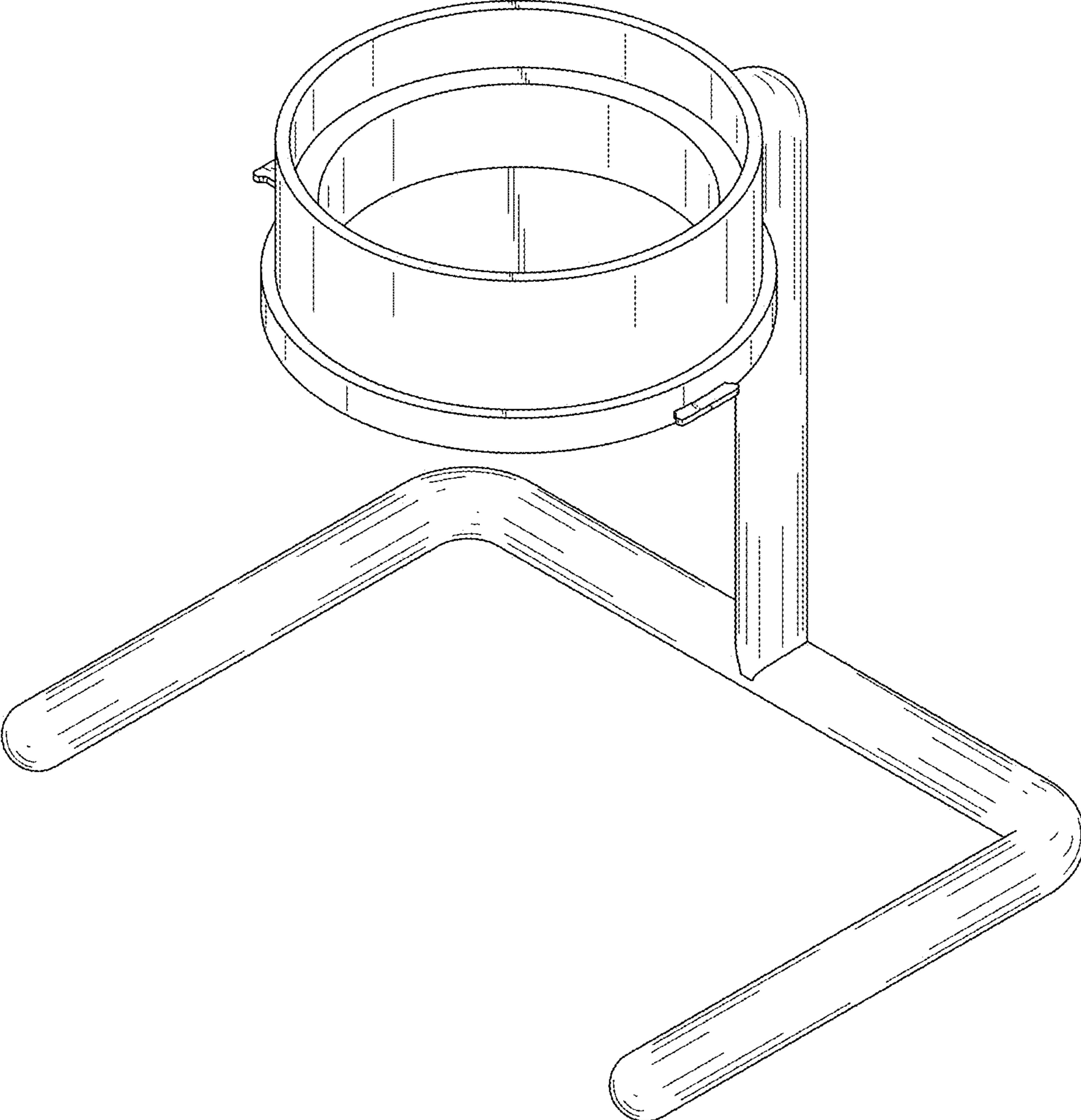


FIG. 1

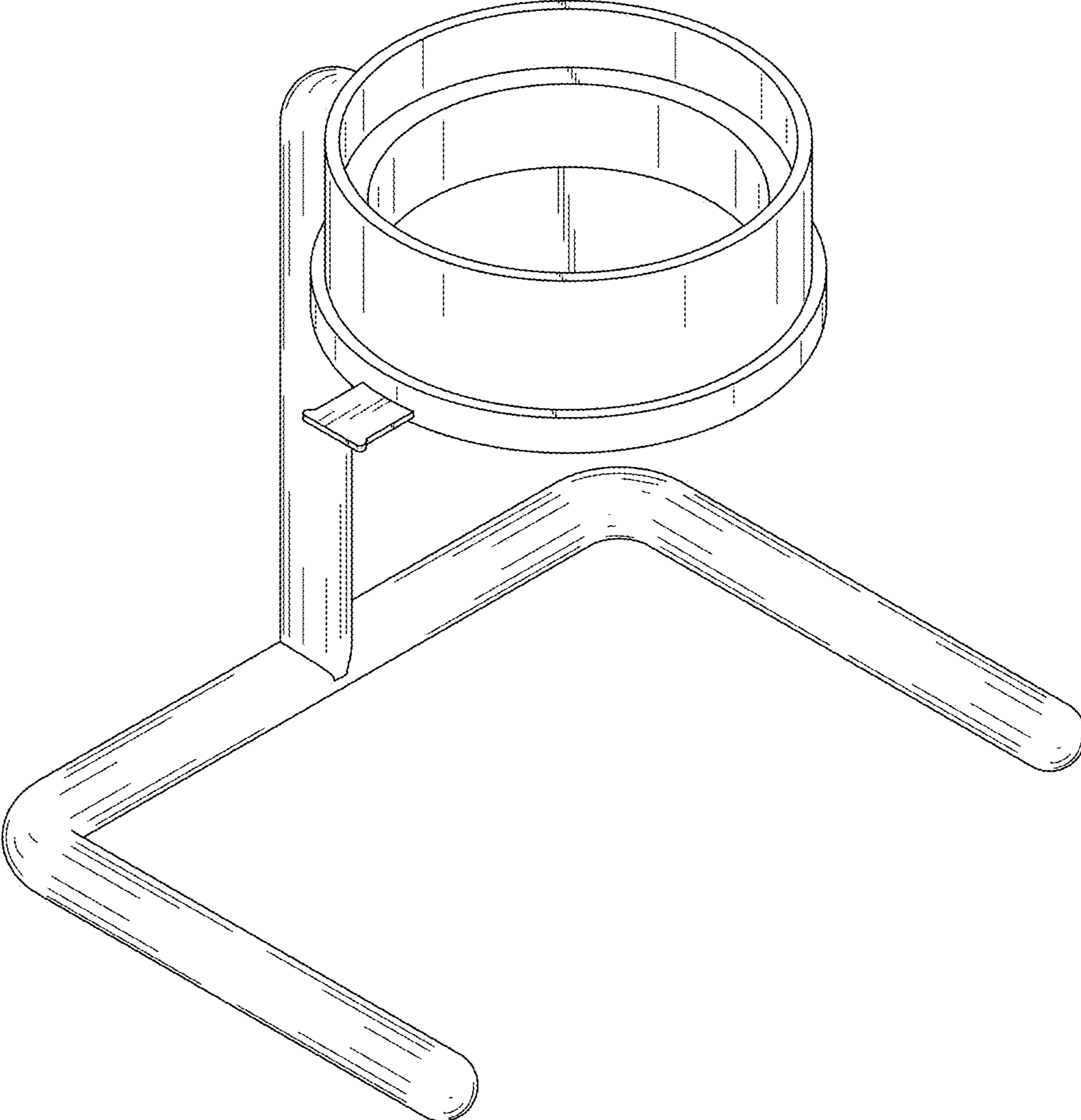


FIG. 2

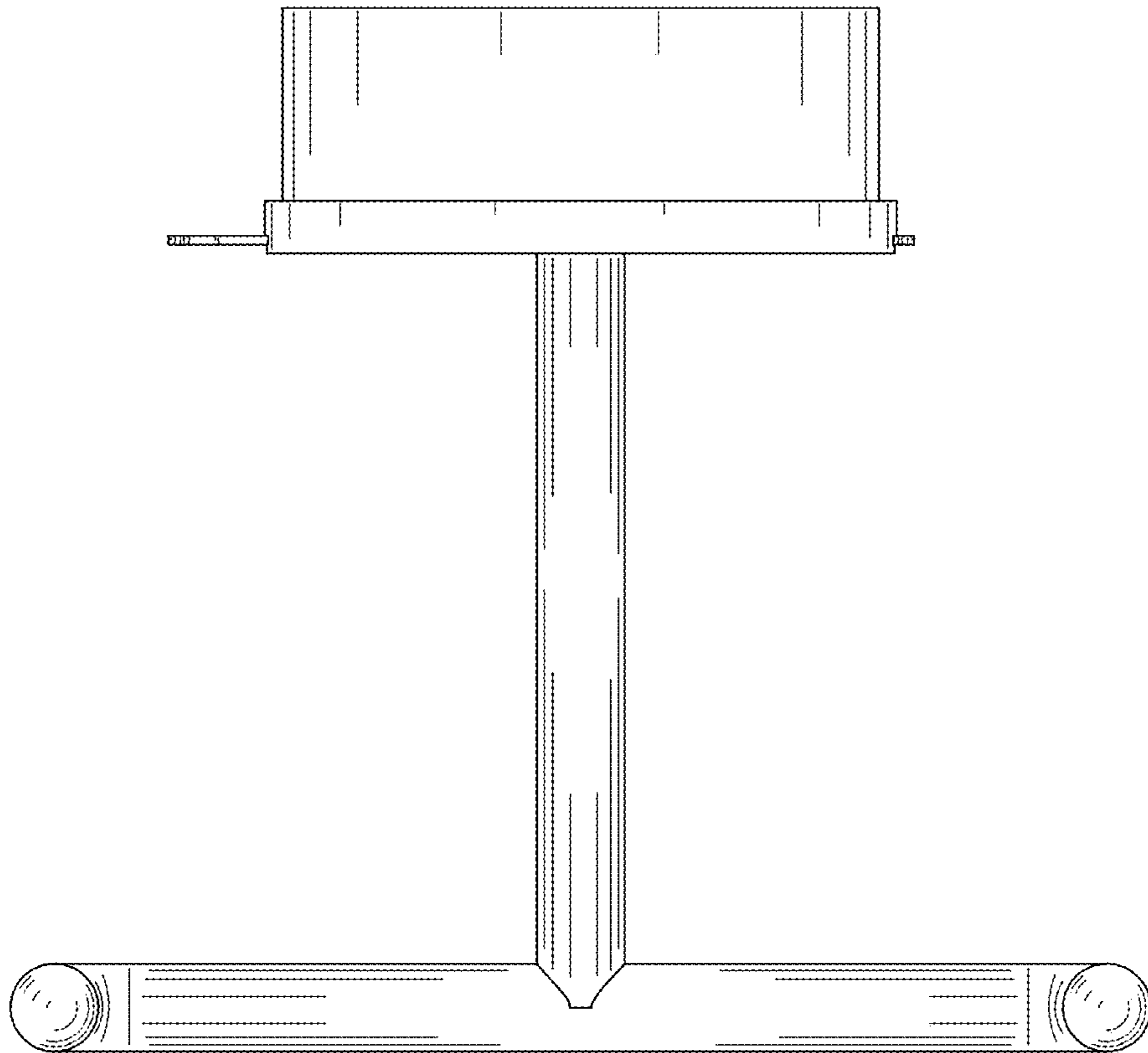


FIG. 3

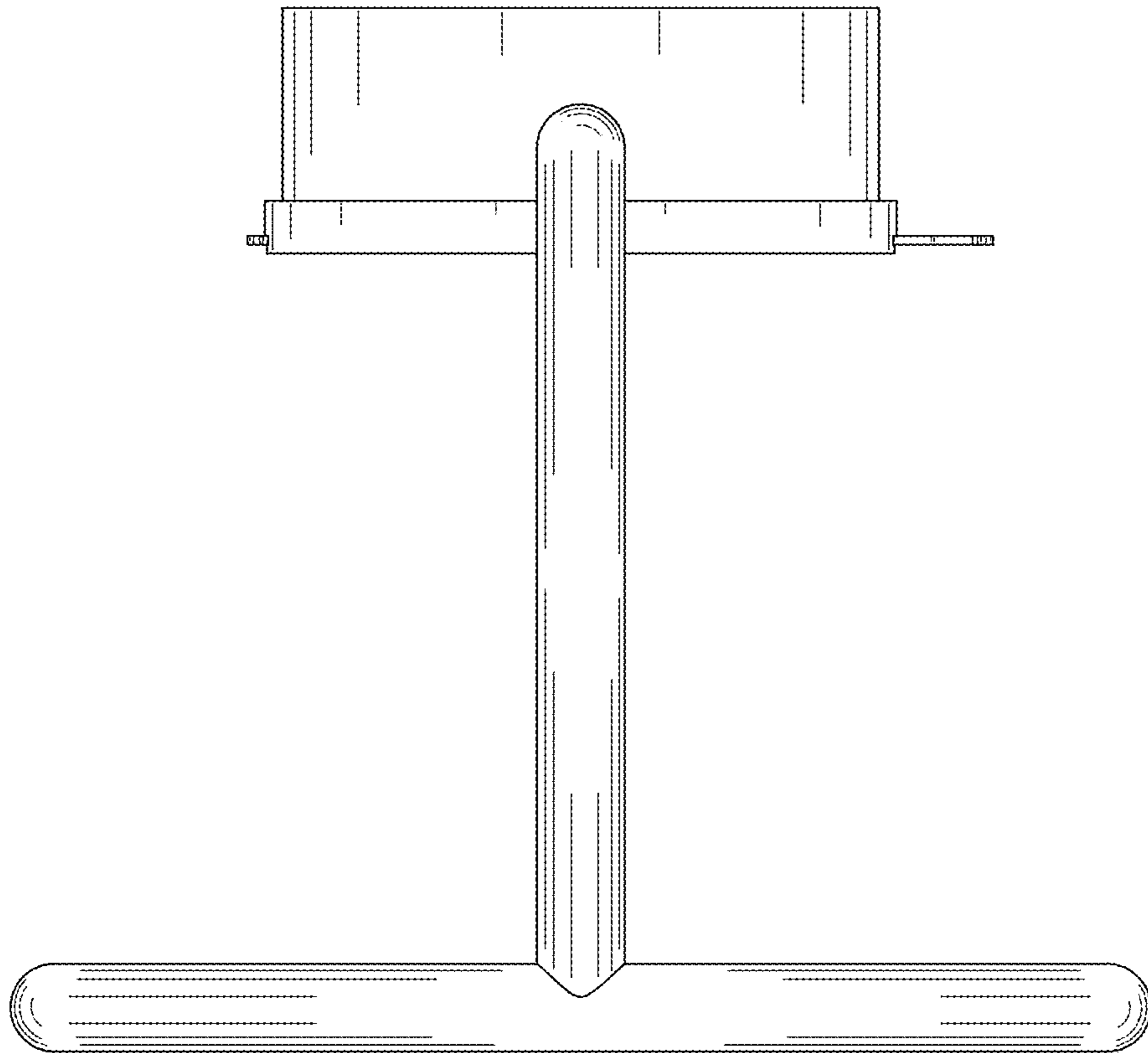


FIG. 4

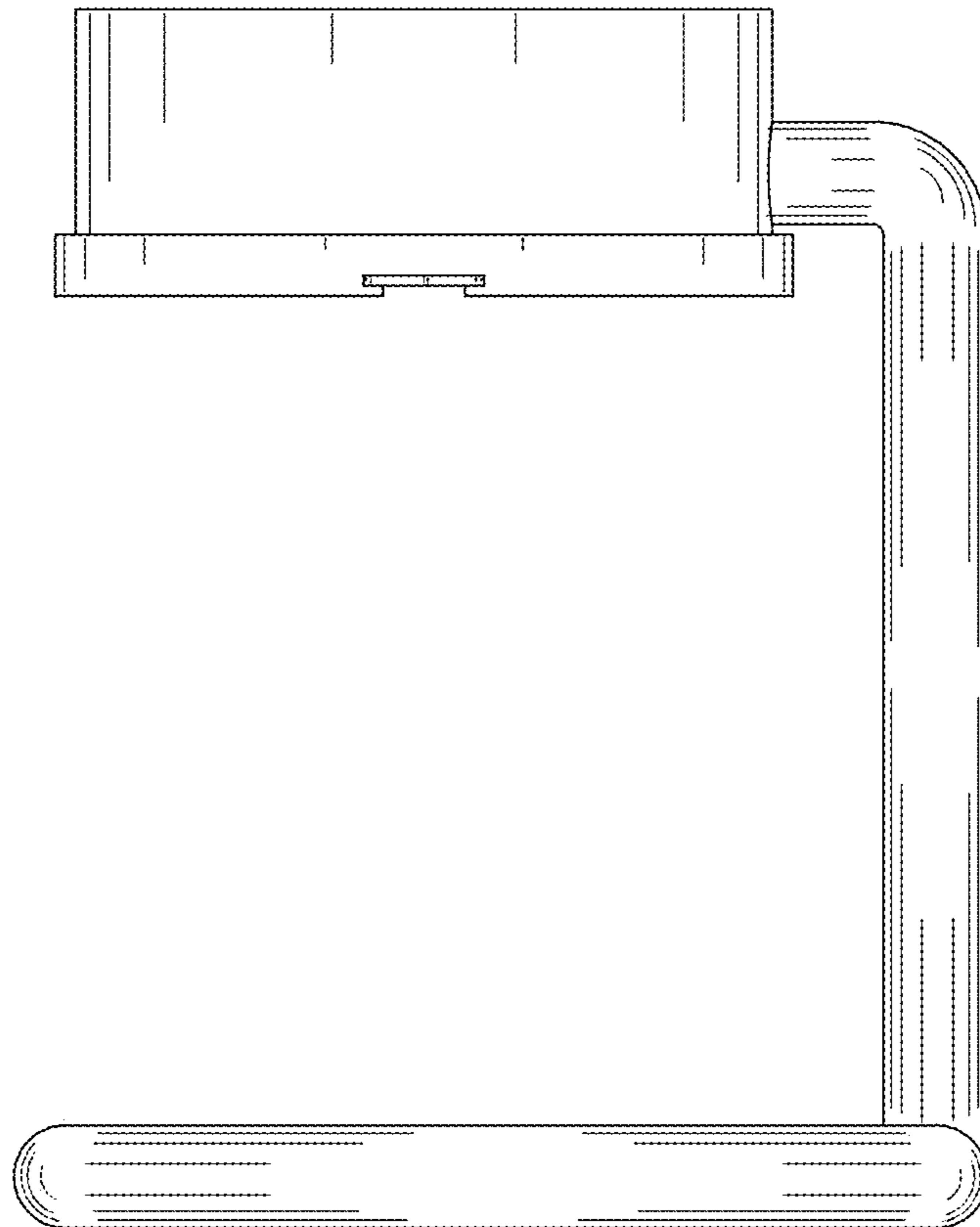


FIG. 5

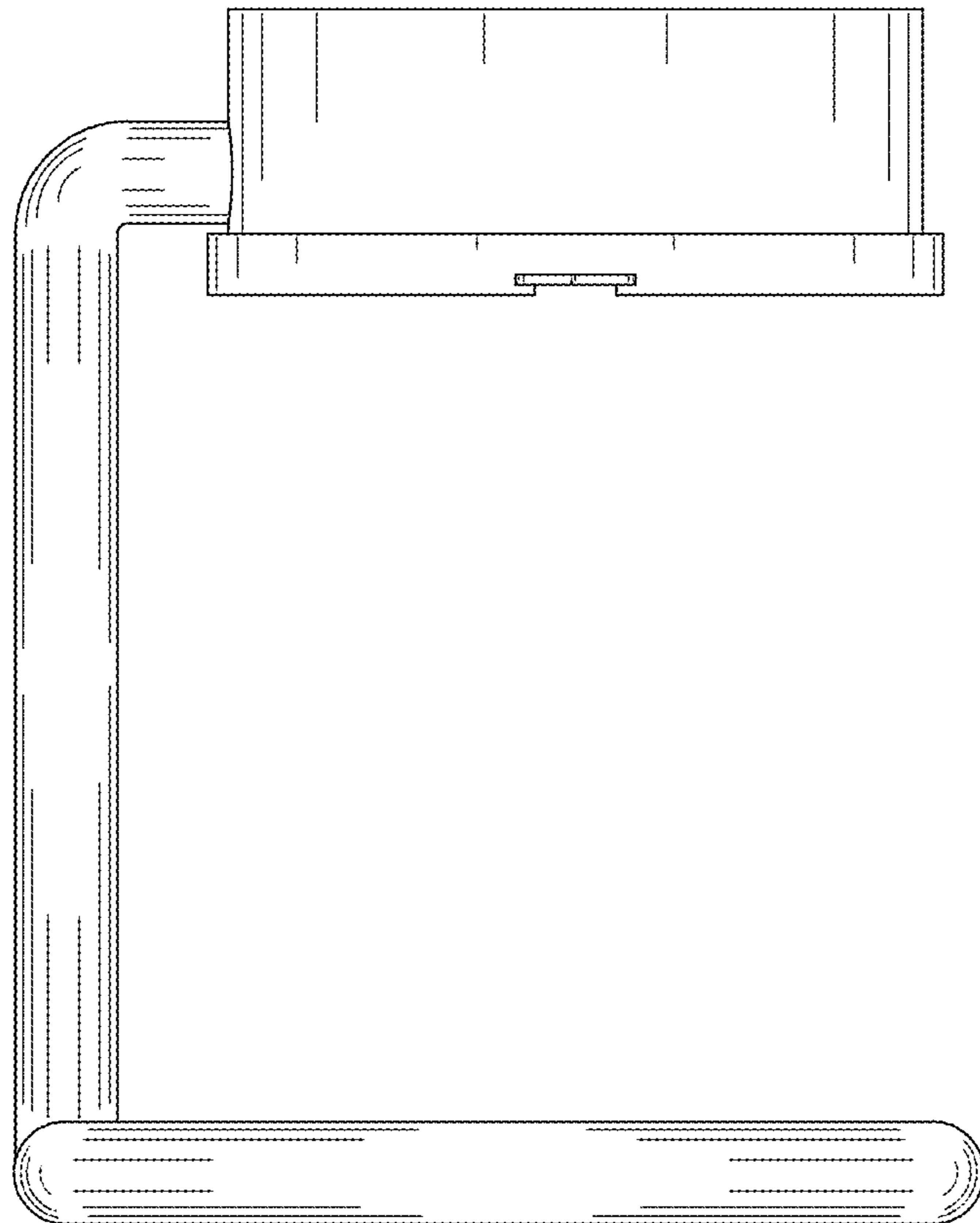


FIG. 6

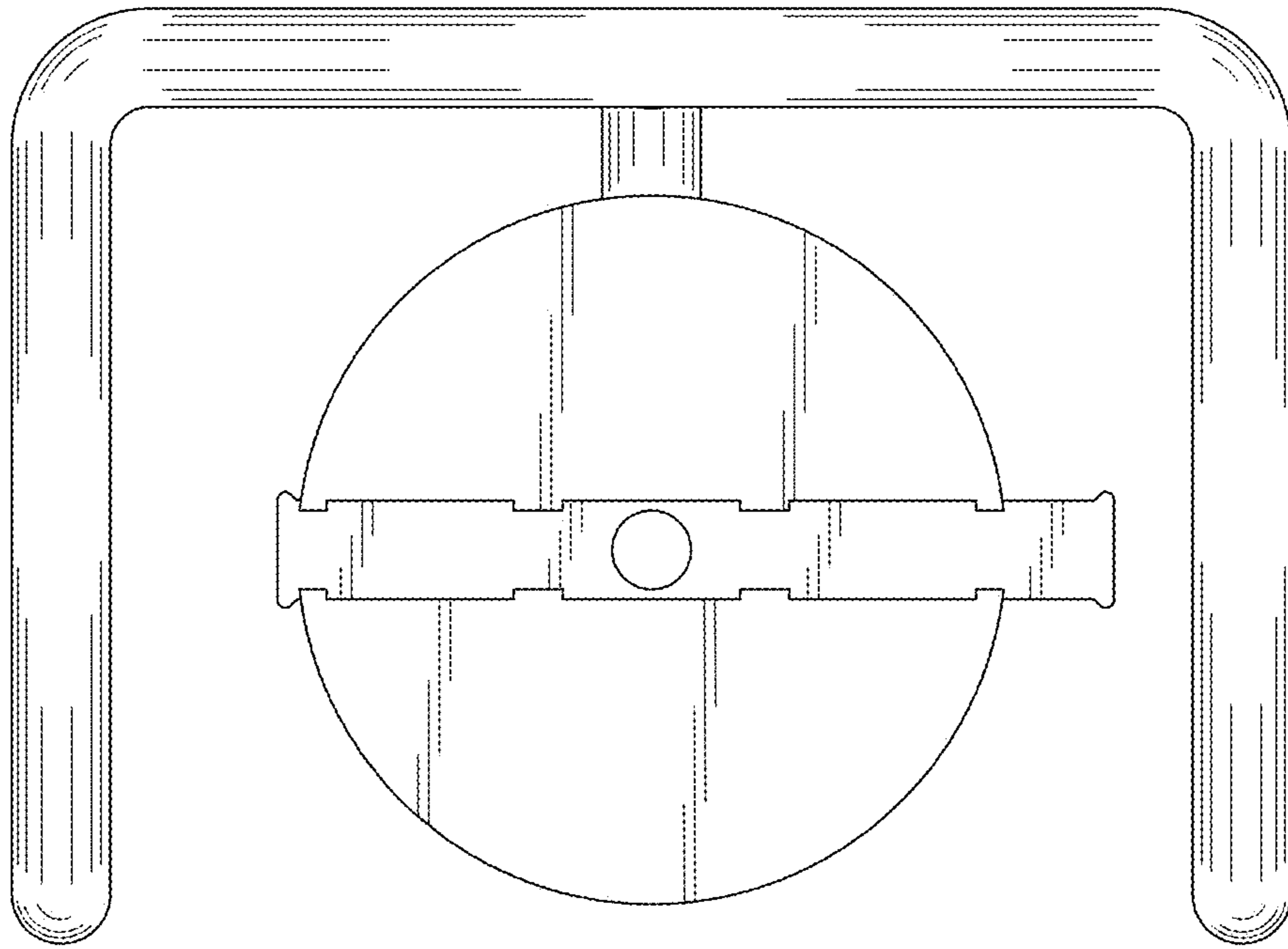


FIG. 7

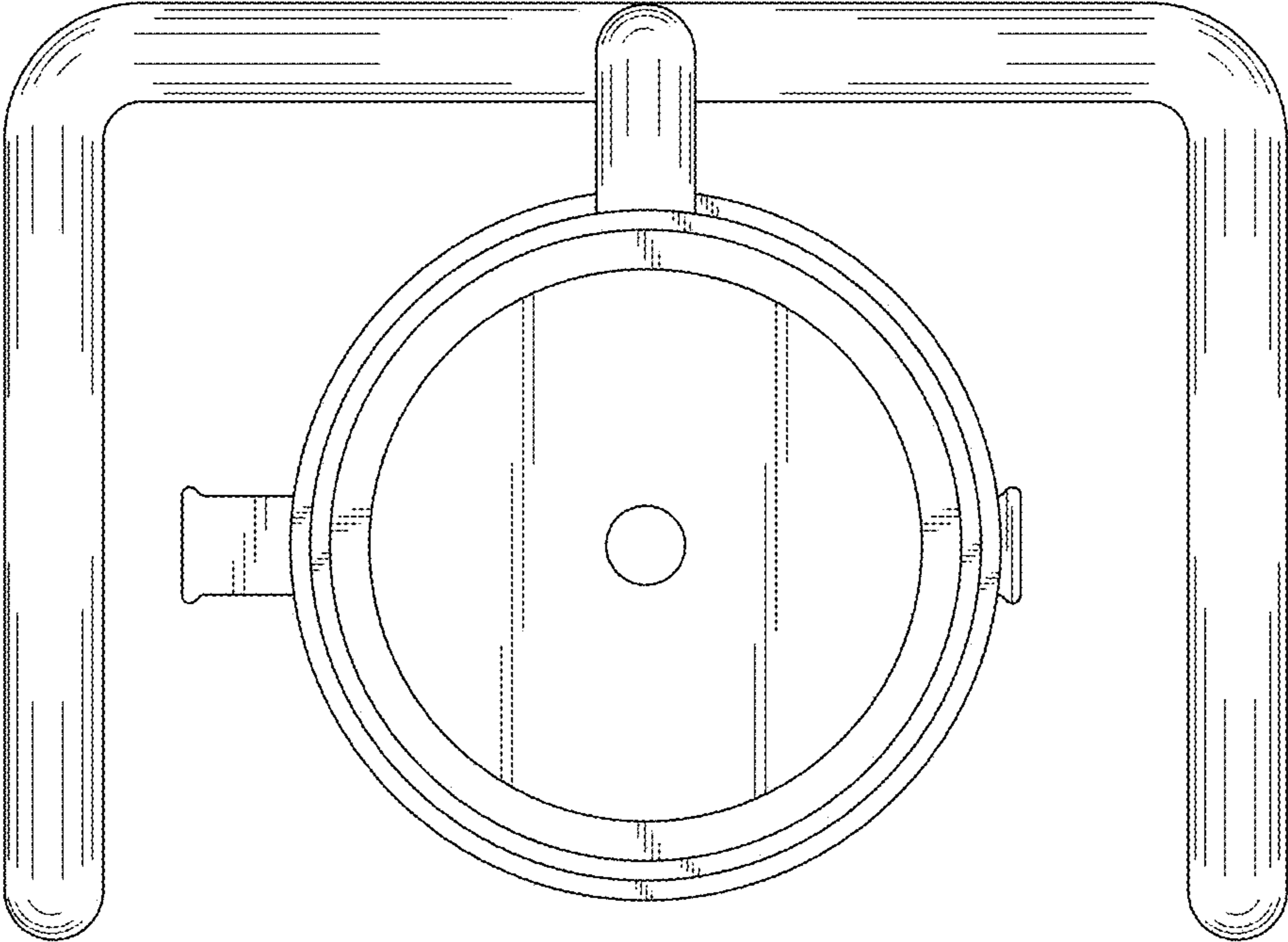


FIG. 8