



US00D944058S

(12) **United States Design Patent**
Zhong

(10) **Patent No.:** **US D944,058 S**

(45) **Date of Patent:** **** Feb. 22, 2022**

(54) **COFFEE POD STORAGE DRAWER**

(71) Applicant: **XIAMEN LEGENDA ELECTRONIC TECHNOLOGY COMPANY LIMITED**, Xiamen (CN)

(72) Inventor: **Wenda Zhong**, Xiamen (CN)

(73) Assignee: **XIAMEN LEGENDA ELECTRONIC TECHNOLOGY COMPANY LIMITED**, Xiamen (CN)

(**) Term: **15 Years**

(21) Appl. No.: **29/729,505**

(22) Filed: **Mar. 27, 2020**

(51) **LOC (13) Cl.** **07-99**

(52) **U.S. Cl.**
USPC **D7/600.4**

(58) **Field of Classification Search**
USPC D7/590, 592, 596-597, 600.1, D7/600.3-600.4, 601-602, 619.1, 630, D7/632, 704-705, 707; D6/524-525, D6/537, 566-567, 571, 677.2, 677.5, D6/678.4, 692.4-692.6, 696.3, 705.6, 706, D6/657, 671.1; D9/681, 737, 745, 747, D9/756-758, 761; D3/304-306, 257; D15/89
CPC A47F 5/01; A47L 19/04; A47K 3/281; A47K 1/09; A47B 55/02; A47B 88/90; A47B 88/40

See application file for complete search history.

(56) **References Cited**

U.S. PATENT DOCUMENTS

D346,077 S * 4/1994 Weshler D6/657
D431,934 S * 10/2000 Chininis D6/671.1
D436,754 S * 1/2001 Bellini D6/657
D477,154 S * 7/2003 Benn D3/297

D506,086 S * 6/2005 Cassell D6/668.2
D508,346 S * 8/2005 Petruccelli D6/668.2
D524,079 S * 7/2006 Grosfillex D6/671.1

(Continued)

FOREIGN PATENT DOCUMENTS

JP D1497612 * 5/2014
JP D1592518 * 12/2017

OTHER PUBLICATIONS

5 Tier Organization Drawer, Everie, amazon.com, published by Everie, first available on Sep. 10, 2019 © 1996-2021 Amazon.com, Inc. online, site visited Jul. 10, 2021. Available at URL: <https://www.amazon.com/Everie-Multi-Tier-Coffee-Storage-Organizer/dp/B07ZR9J3F3> (Year: 2019).*

(Continued)

Primary Examiner — Lakiya G Rogers
Assistant Examiner — Altaira J Swangin

(74) *Attorney, Agent, or Firm* — Bayramoglu Law Offices LLC

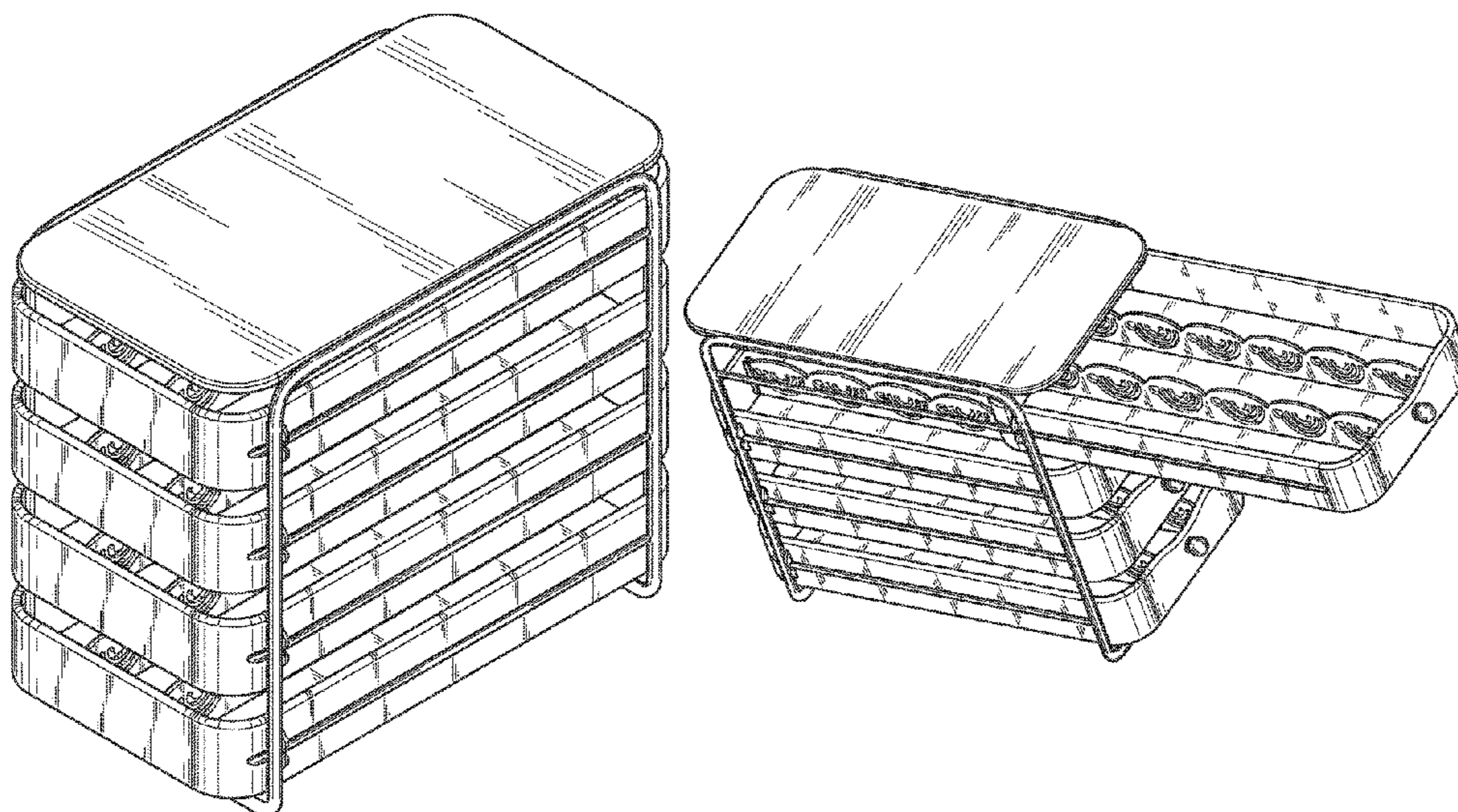
(57) **CLAIM**

The ornamental design for a coffee pod storage drawer, as shown and described.

DESCRIPTION

FIG. 1 is a rear, left and top perspective view of a coffee pod storage drawer showing my new design; FIG. 2 is a right side elevational view thereof; a left side elevational view thereof is a mirror image of the right side elevational view; FIG. 3 is a rear elevational view thereof; FIG. 4 is a front elevational view thereof; FIG. 5 is a top plan view thereof; FIG. 6 is a bottom plan view thereof; and, FIG. 7 is a front top left perspective view in a state of use. The broken lines shown in the drawings depict portions of the coffee pod storage drawer that form no part of the claimed design.

1 Claim, 7 Drawing Sheets



(56)

References Cited

U.S. PATENT DOCUMENTS

D661,950 S * 6/2012 Greenwood D7/590
D677,992 S * 3/2013 Greenwood D7/600.1
D699,271 S * 2/2014 Hottmann D15/89
D701,432 S * 3/2014 Tsai D7/600.4
D754,972 S * 5/2016 Ghiorgie D3/310
D769,073 S * 10/2016 Lipper McCauley D7/600.4
D784,695 S * 4/2017 Yamamoto D3/297
D807,084 S * 1/2018 Waldner D6/671.1
D855,322 S * 8/2019 Yamamoto D3/297
D859,932 S * 9/2019 Greenwood D7/600.4
D875,476 S * 2/2020 Tuang D7/600.4
10,906,706 B2 * 2/2021 Nilsson A47B 67/04
D915,797 S * 4/2021 Ding Yik Ming D6/657
D919,372 S * 5/2021 Greenwood D7/600.4
2006/0201417 A1 * 9/2006 Radow A47B 71/00
118/306

OTHER PUBLICATIONS

4 Tier Coffee Pod Storage Holder, Everie, amazon.com, published by Everie, first available on Sep. 10, 2019 © 1996-2021 Amazon.com, Inc. online, site visited Jul. 26, 2021. Available at URL: <https://www.amazon.com/Everie-4-Tier-Coffee-Storage-Organizer/dp/B07XL1514R> (Year: 2019).*

* cited by examiner

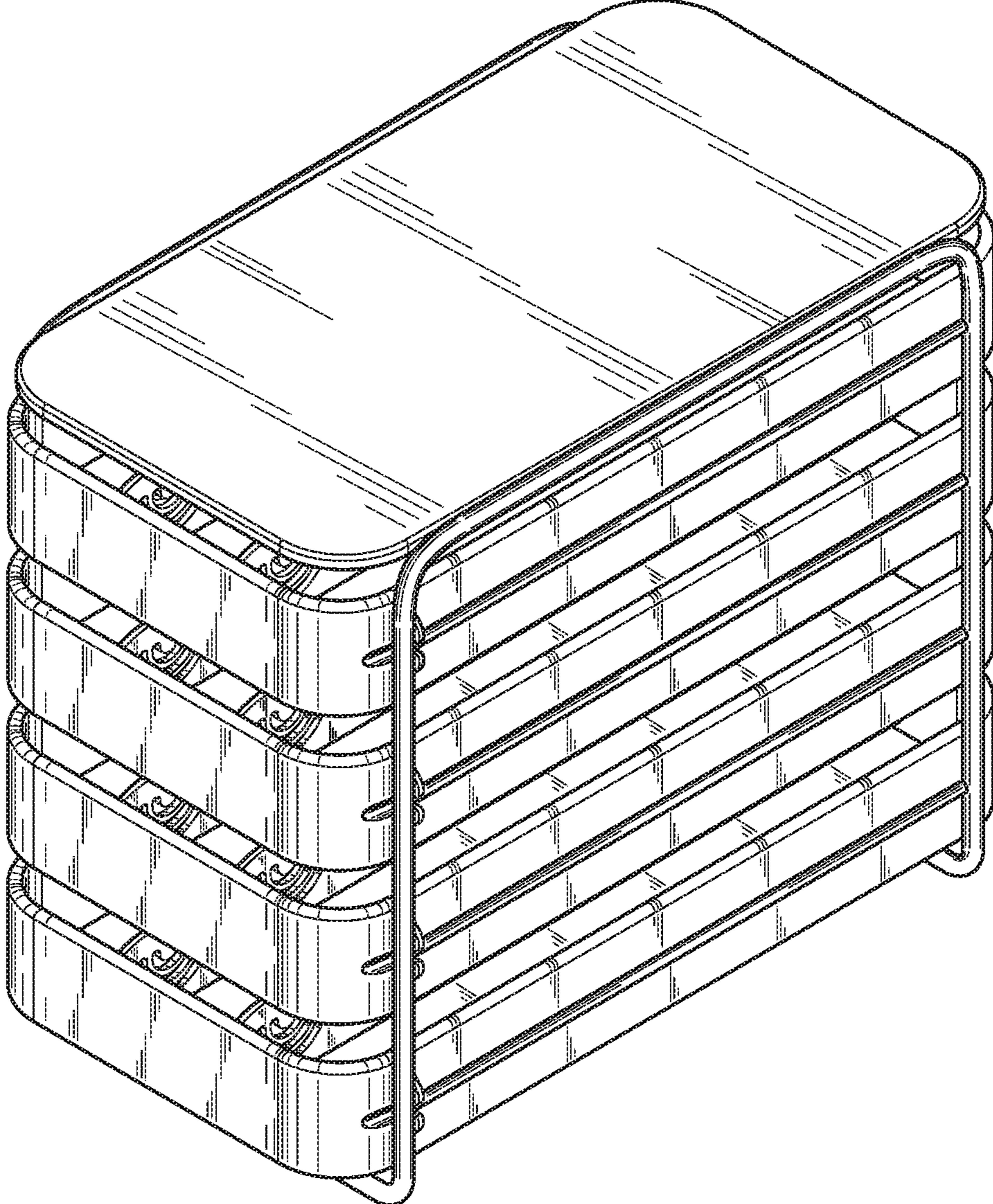


FIG. 1

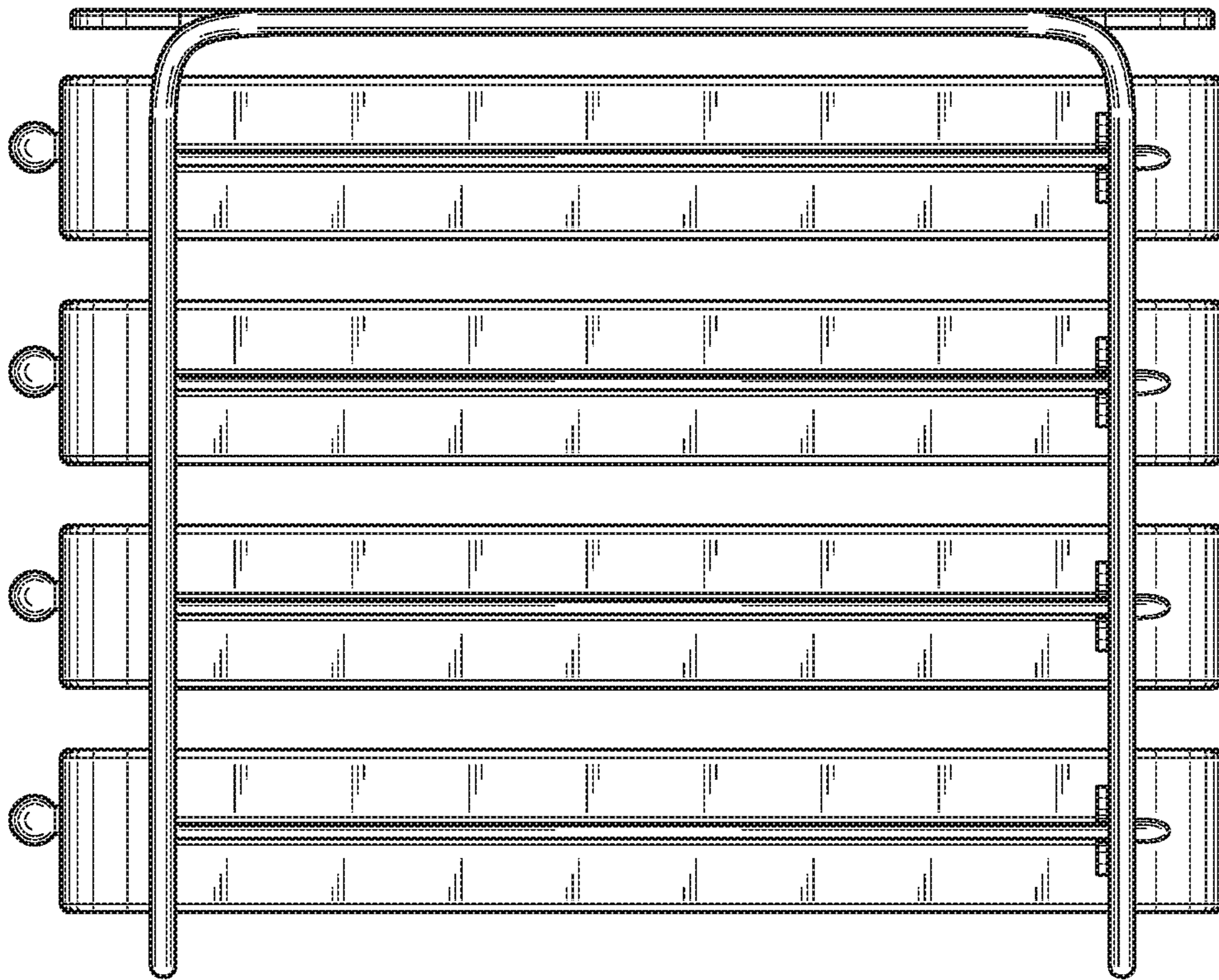


FIG. 2

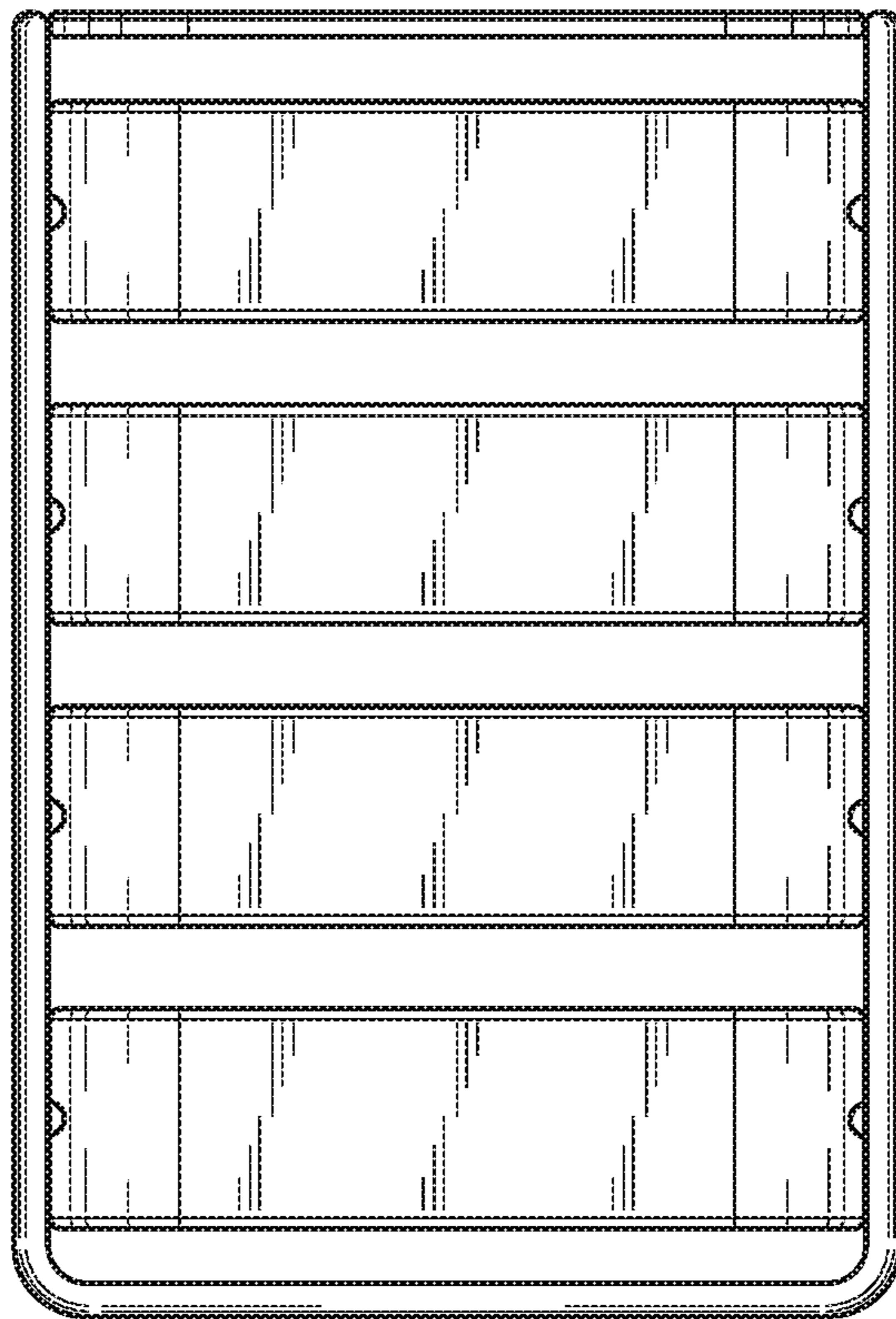


FIG. 3

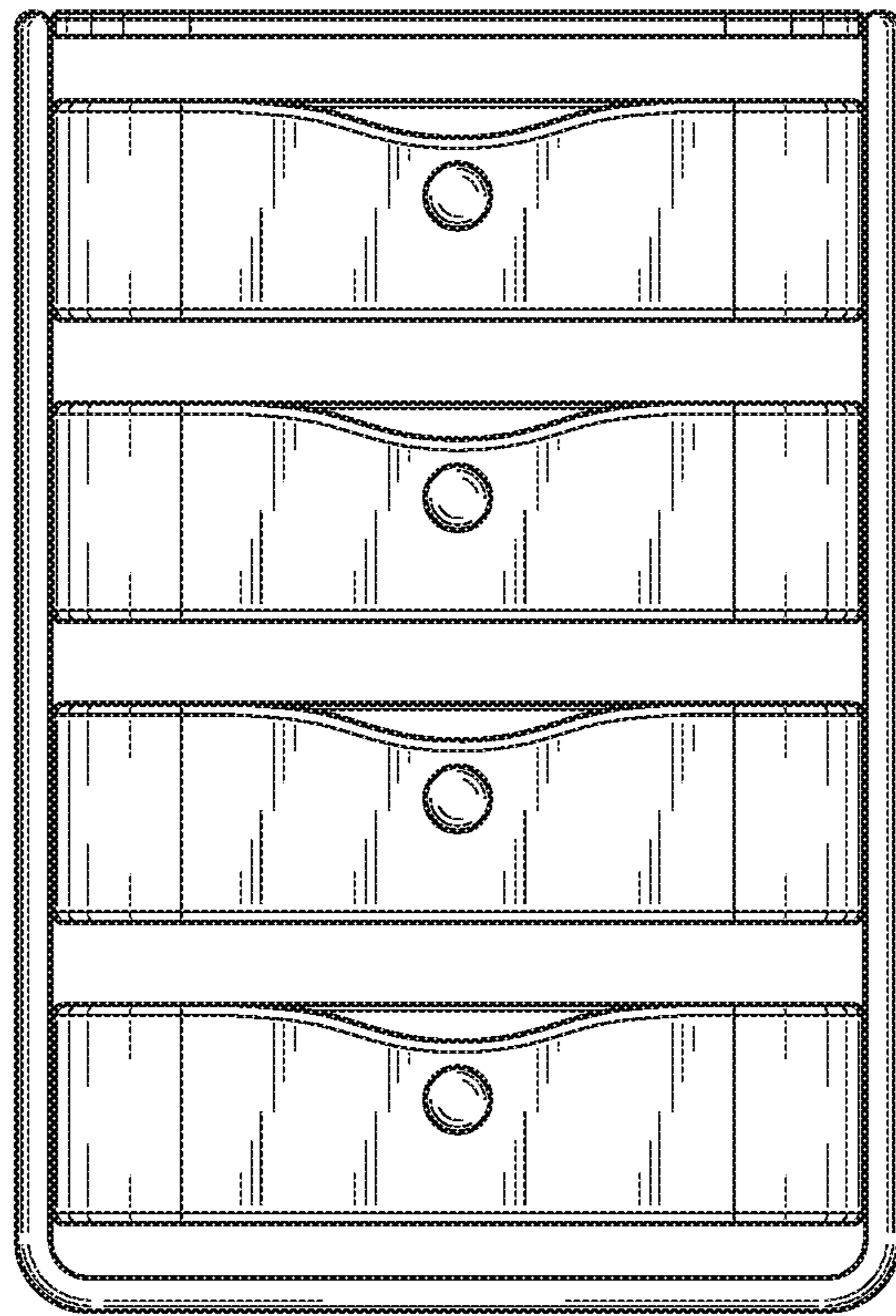


FIG. 4

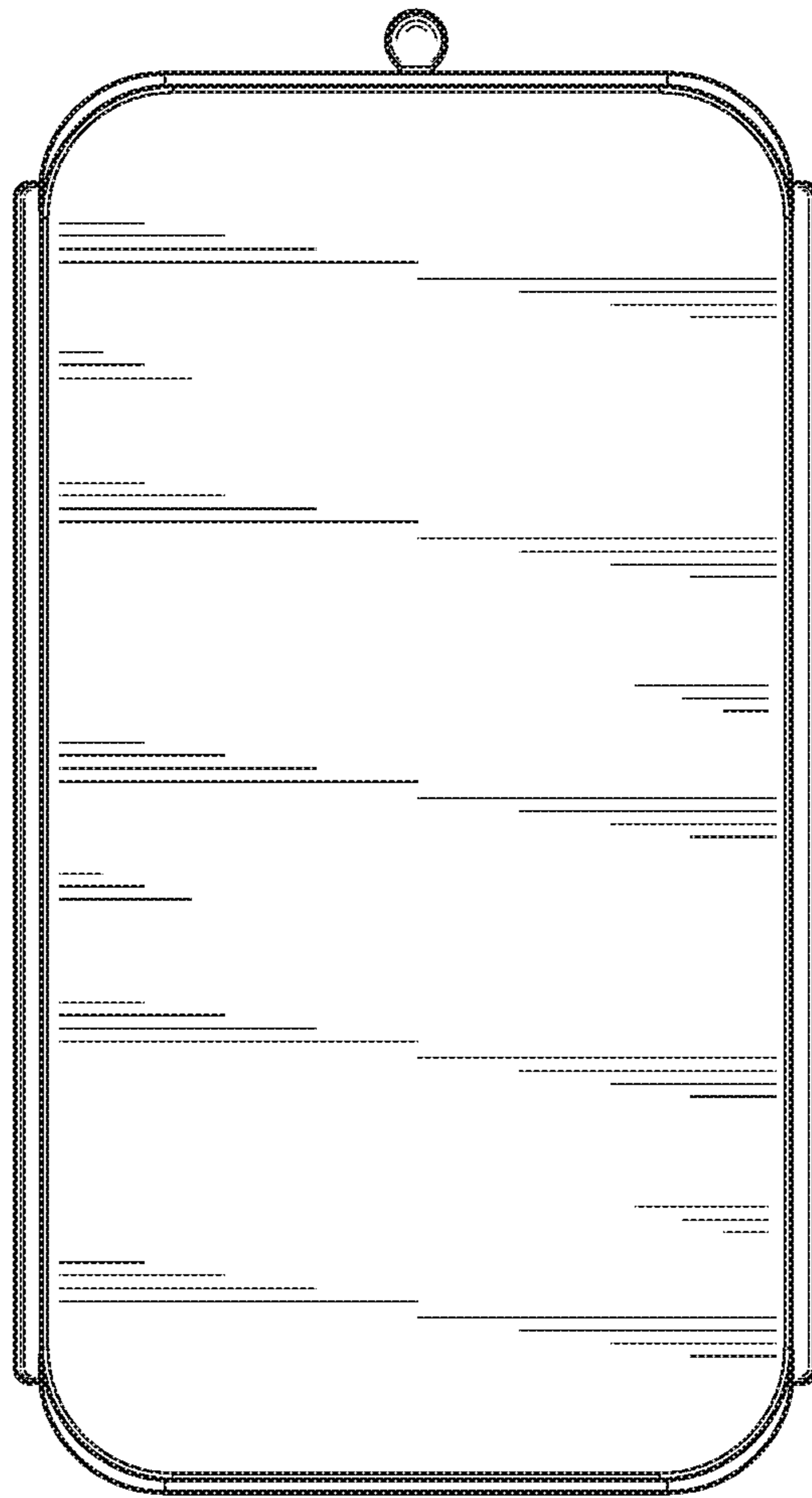


FIG. 5

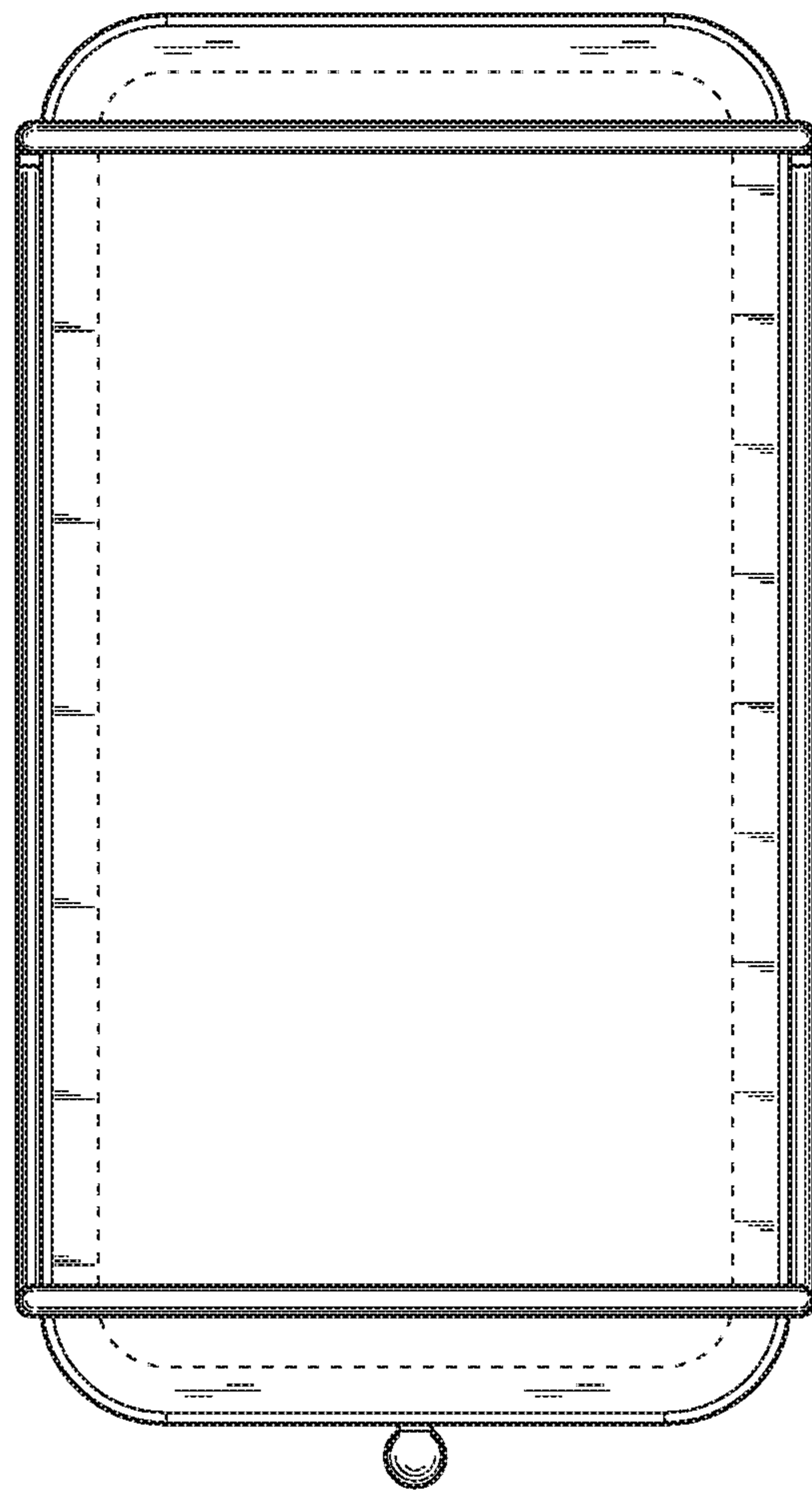


FIG. 6

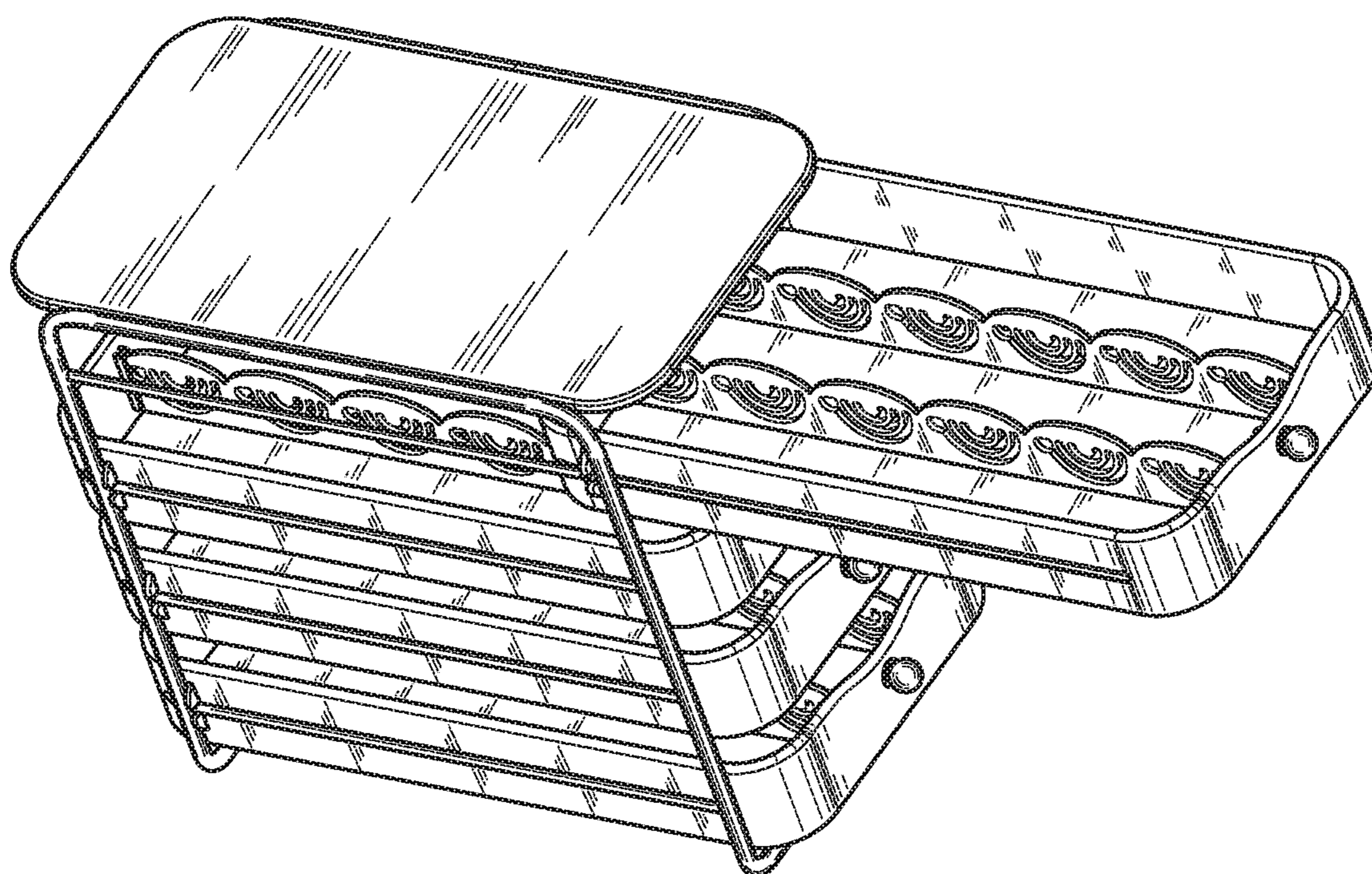


FIG. 7