



US00D944057S

(12) **United States Design Patent**
Levine

(10) **Patent No.:** **US D944,057 S**

(45) **Date of Patent:** **** Feb. 22, 2022**

(54) **SEDER PLATE**

(71) Applicant: **Morgan Levine**, Brooklyn, NY (US)

(72) Inventor: **Morgan Levine**, Brooklyn, NY (US)

(**) Term: **15 Years**

(21) Appl. No.: **29/780,123**

(22) Filed: **Apr. 22, 2021**

(51) **LOC (13) Cl.** **07-01**

(52) **U.S. Cl.**
USPC **D7/556**

(58) **Field of Classification Search**
USPC D7/555, 500, 556, 551.1; D27/186;
206/538

CPC A21B 3/13; B65D 83/0454

See application file for complete search history.

(56) **References Cited**

U.S. PATENT DOCUMENTS

D11,009 S *	2/1879	Smith	D7/556
D12,105 S *	1/1881	Smith	D7/556
D51,881 S	3/1918	Evans		
1,718,668 A *	6/1929	Smythe	A21B 3/13 249/52
D111,504 S	9/1938	Bennett		
D124,859 S *	1/1941	Kogan et al.	D7/563
D131,406 S *	2/1942	Dreitzer	D7/556
3,398,827 A	8/1968	Laskin		
4,164,301 A *	8/1979	Thayer	B65D 83/0454 206/534
4,261,468 A *	4/1981	Krebs	B65D 83/0454 206/538
D278,113 S	3/1985	Prophet, Jr. et al.		
D336,216 S	6/1993	Rohrbeck		
D418,018 S *	12/1999	Winsted	D7/551.1
D460,662 S *	7/2002	Basden	D7/551.1
D484,000 S	12/2003	Levien		
D525,091 S	7/2006	Baxter et al.		
8,136,666 B2 *	3/2012	Goldman	B65D 83/0454 206/538

D682,038 S *	5/2013	Jones	D7/556
D685,611 S *	7/2013	Jones	D7/544
D802,836 S *	11/2017	Ghiotti	D27/186

(Continued)

OTHER PUBLICATIONS

“Seder Plates Hand-Built Ceramic Seder Plates for Passover”
retrieved from <http://www.artnovell.com/nancy-novell-pottery/seder-plates/> on Apr. 22, 2021.

(Continued)

Primary Examiner — Cynthia R Underwood

(74) *Attorney, Agent, or Firm* — Myers Wolin, LLC

(57) **CLAIM**

The ornamental design for a seder plate, as shown and described.

DESCRIPTION

FIG. 1 is a perspective view of a seder plate showing my design;

FIG. 2 is a front elevation view thereof, the rear elevation view being the same;

FIG. 3 is a left side elevation view thereof, the right side elevation view being the same;

FIG. 4 is a top view thereof;

FIG. 5 is a bottom view thereof;

FIG. 6 is a perspective view of an alternative embodiment of a seder plate showing my design;

FIG. 7 is a front elevation view thereof, the rear elevation view being the same;

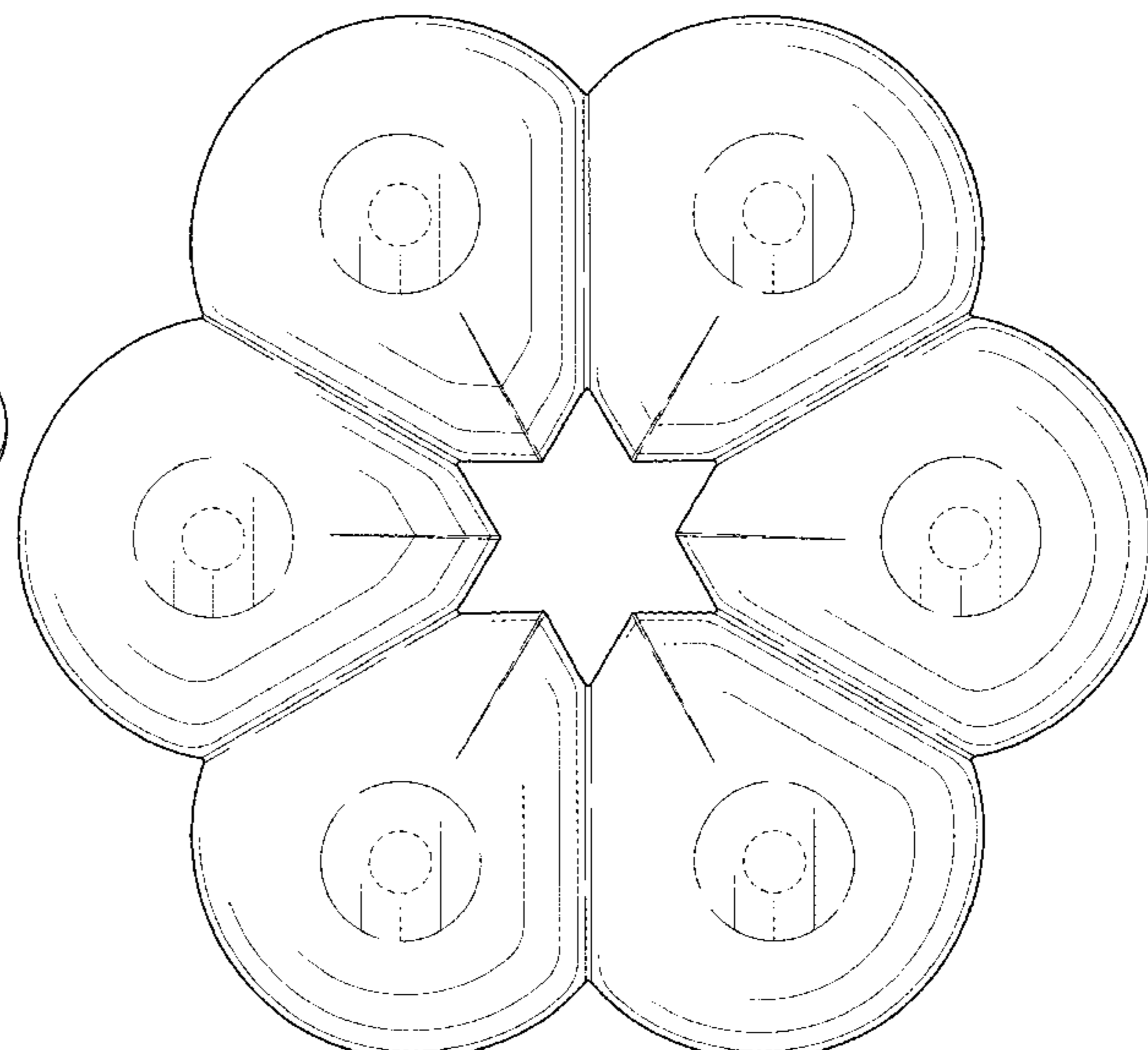
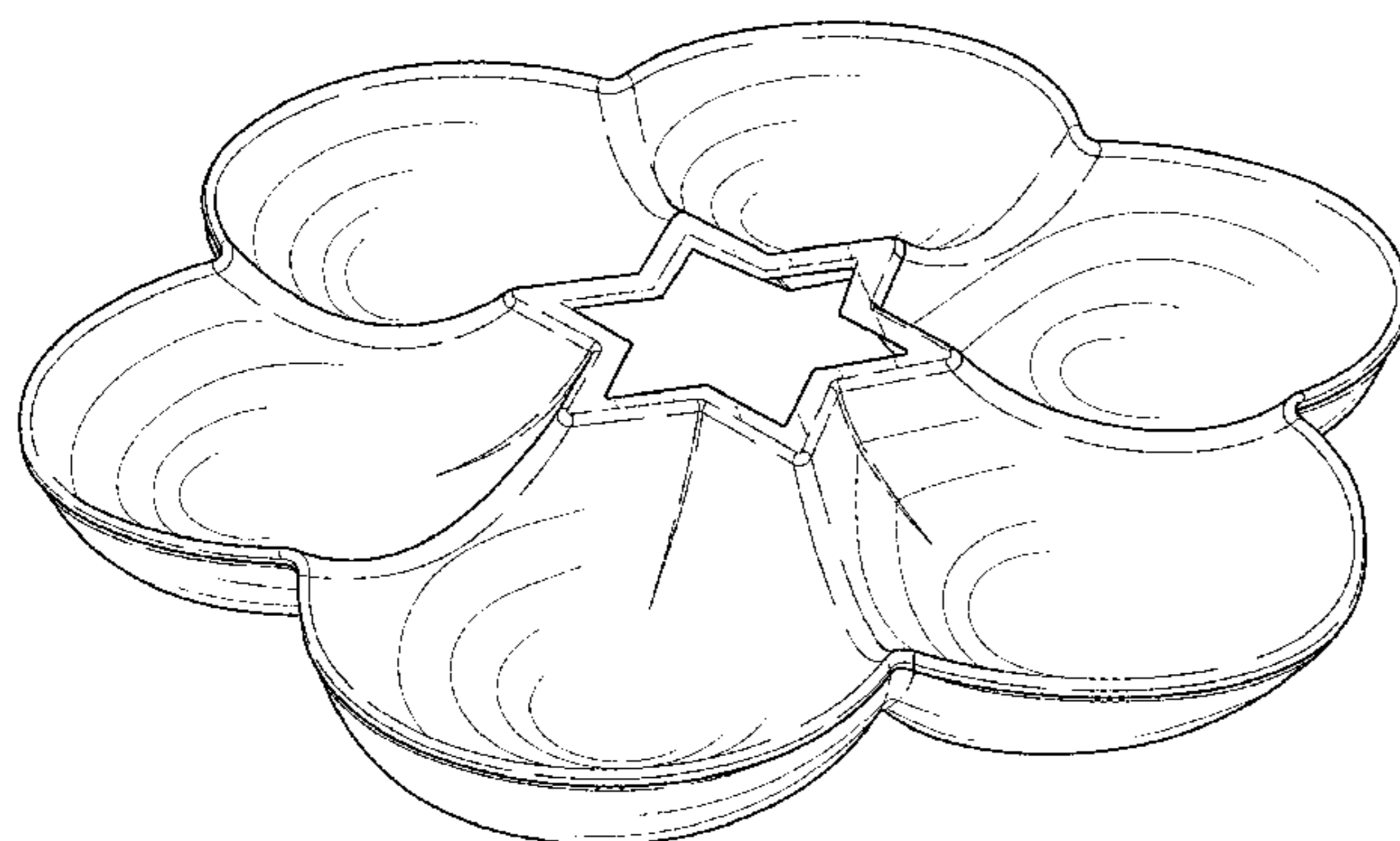
FIG. 8 is a left side elevation view thereof, the right side elevation view being the same;

FIG. 9 is a top view thereof; and,

FIG. 10 is a bottom view thereof.

The dotted lines represent portions of the seder plate that form no part of the claimed design.

1 Claim, 8 Drawing Sheets



(56)

References Cited

U.S. PATENT DOCUMENTS

D804,721 S * 12/2017 Ghiotti D27/186
 11,161,665 B2 * 11/2021 McDonald A61J 1/035
 2005/0205595 A1 * 9/2005 Lepke G07F 11/54
 221/87
 2016/0325859 A1 * 11/2016 Kimmel B29C 66/849

OTHER PUBLICATIONS

“Blackthorne Forge Incredible Modular Iron Passover Seder Plate”
 retrieved from https://jewishgiftplace.com/products/blackthorne-forge-incredible-modular-iron-passover-seder-plate?_pos=8&_sid=4323bec3e&_ss=r on Apr. 22, 2021.

“Shraga Landesman Laser Cut Aluminum and Wood Seder Plate. Star of David (Blue)”
 retrieved from <https://www.iudaicawebstore.com/shraga-landesman-laser-cut-aluminum-and-wood-seder-plate-star-of-david-blue-p9228> on Apr. 22, 2021.

“Shraga Landesman Laser Cut Aluminum Seder Plate. Pomegranates & Star of David”
 retrieved from <https://www.iudaicawebstore.com/shraga-landesman-laser-cut-aluminum-seder-plate-pomegranates-star-of-david-p6838> on Apr. 22, 2021.

“Two-piece Stoneware Seder Plate by Via Maris”
 retrieved from [https://shop.thejewishmuseum.org/two-piece-stoneware-seder-plate-](https://shop.thejewishmuseum.org/two-piece-stoneware-seder-plate-by-via-maris-102769.html?gclid=Cj0KCQjwgtWDBhDZARIsADEKwgP0HJGBstCBuX61-PGIYKxWgfsenCJ7H06sKzFxbOjL9rbFiE4wkW8aAhSLEALw_wcB)

[by-via-maris-102769.html?gclid=Cj0KCQjwgtWDBhDZARIsADEKwgP0HJGBstCBuX61-PGIYKxWgfsenCJ7H06sKzFxbOjL9rbFiE4wkW8aAhSLEALw_wcB](https://shop.thejewishmuseum.org/two-piece-stoneware-seder-plate-by-via-maris-102769.html?gclid=Cj0KCQjwgtWDBhDZARIsADEKwgP0HJGBstCBuX61-PGIYKxWgfsenCJ7H06sKzFxbOjL9rbFiE4wkW8aAhSLEALw_wcB) on Apr. 22, 2021.

“Seder Plate by Leila Vignelli for the Jewish Museum”
 retrieved from <https://shop.thejewishmuseum.org/seder-plate-by-leila-vignelli-for-the-jewish-museum> on Apr. 22, 2021.

“Alison Evans Abalone and Tortoise Traditional Oyster Platter”
 retrieved from https://westontable.com/products/alison-evans-abalone-tortoise-traditional-oyster-platter?variant=32350208753700¤cy=USD&utm_medium=product_sync&utm_source=google&utm_content=sag_organic&utm_campaign=sag_organic&gclid=Cj0KCQjwgtWDBhDZARIsADEKwgP0HJGBstCBuX61-PGIYKxWgfsenCJ7H06sKzFxbOjL9rbFiE4wkW8aAhSLEALw_wcB on Apr. 22, 2021.

“Ivory Color Pottery Seder Plate by Shulamit”
 retrieved from <https://www.ebay.com/itm/Ivory-Color-Pottery-Seder-Plate-by-Shulamit-Hand-Crafted-Israel-Unusual/131135671532?hash=item1e884b8cec:g:tKkAAMXQPatTG1ER> on Apr. 22, 2021.

“Passover Plate Star of David & Hearts, Real Wild Flowers Seder Pesach Jewish Art”
 retrieved from <https://www.ebay.com/itm/Passover-Plate-Star-of-David-Hearts-Real-Wild-Flowers-Seder-Pesach-Jewish-Art/362571568322?hash=item546af314c2:g:iikAAOSwLMRce6aY> on Apr. 22, 2021.

* cited by examiner

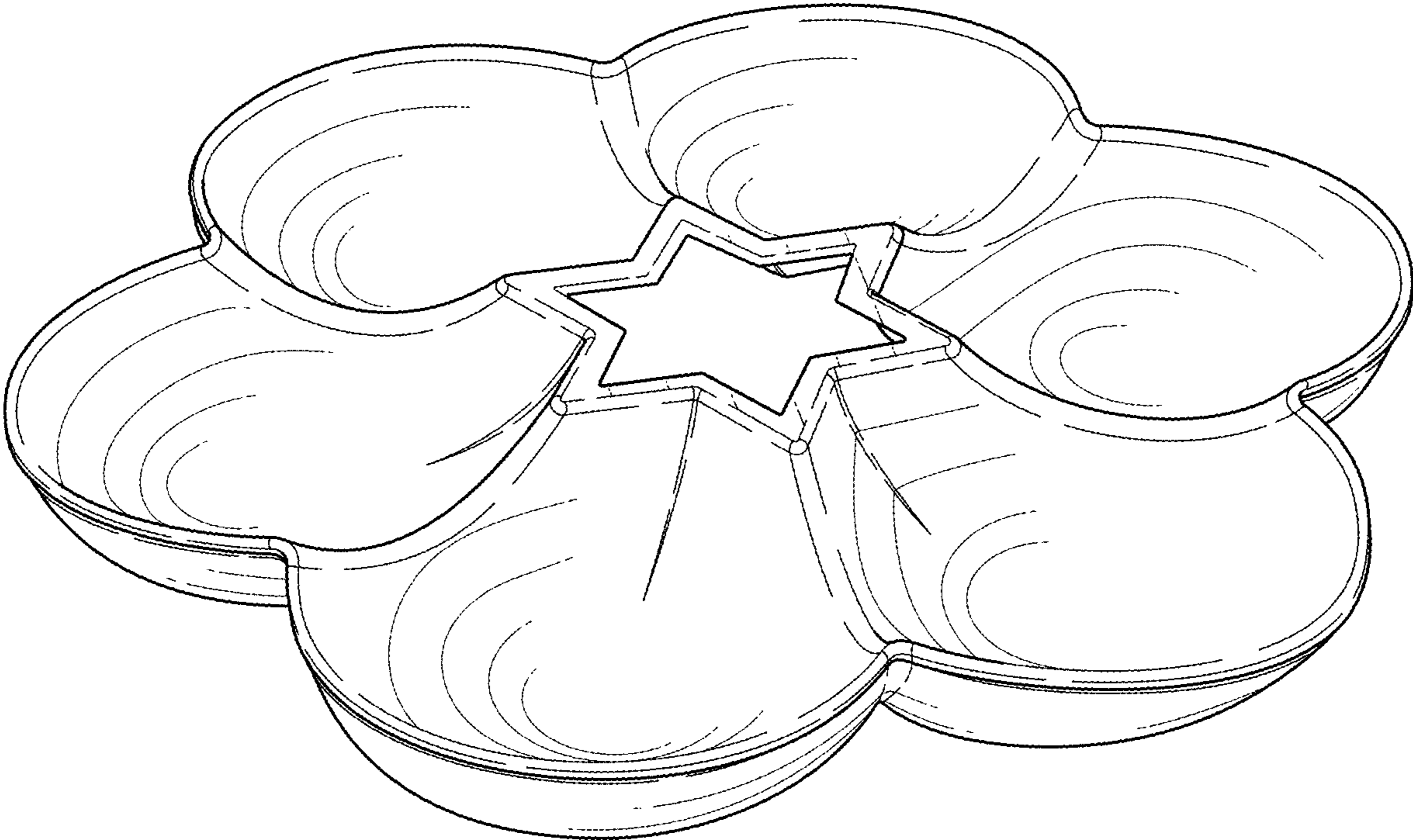


FIG. 1

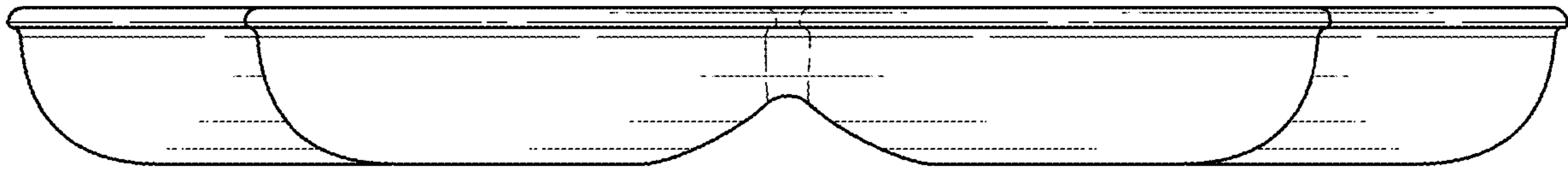


FIG. 2

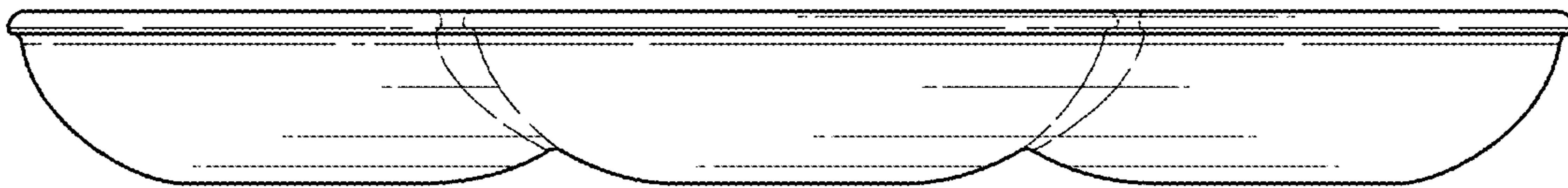


FIG. 3

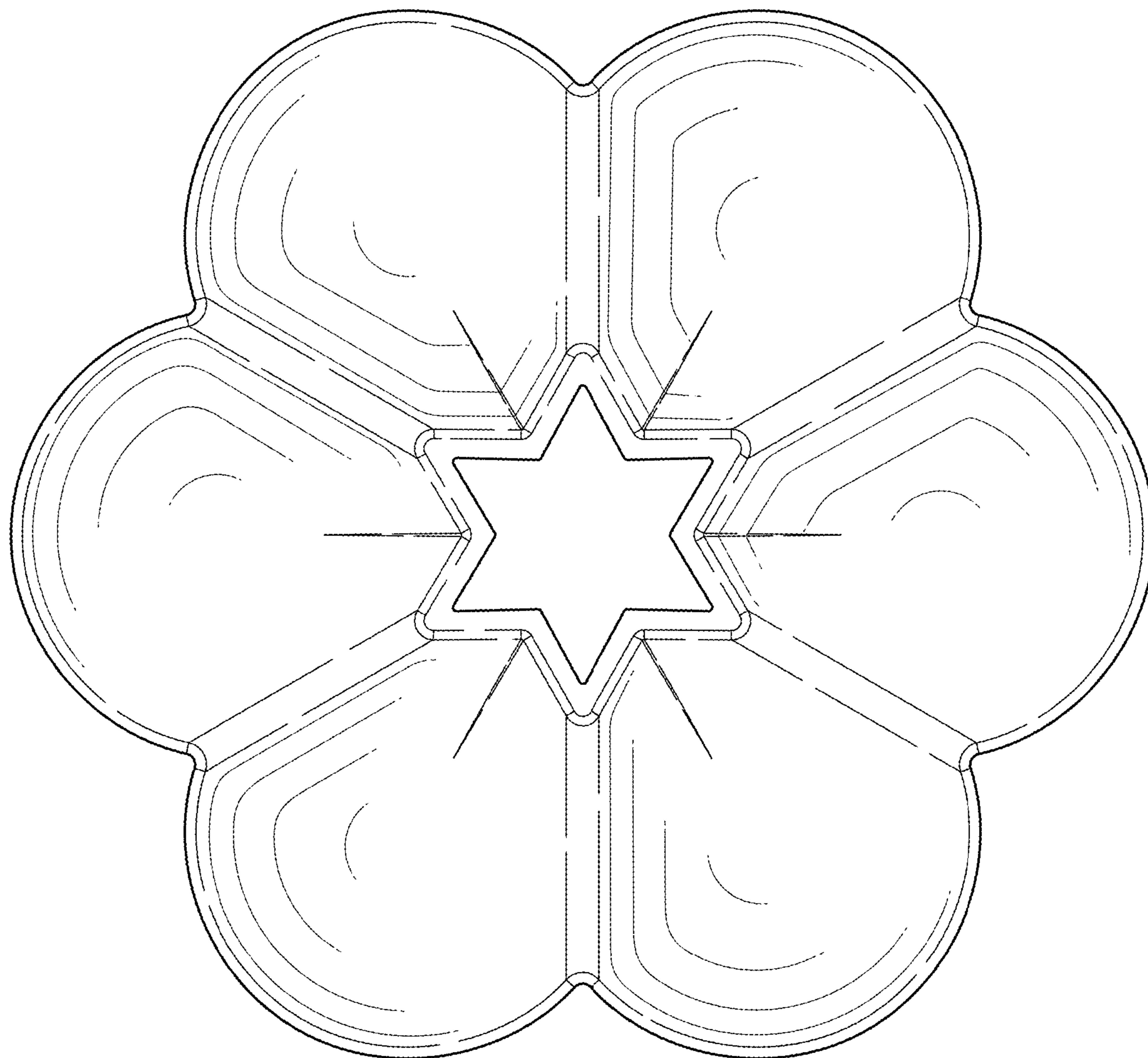


FIG. 4

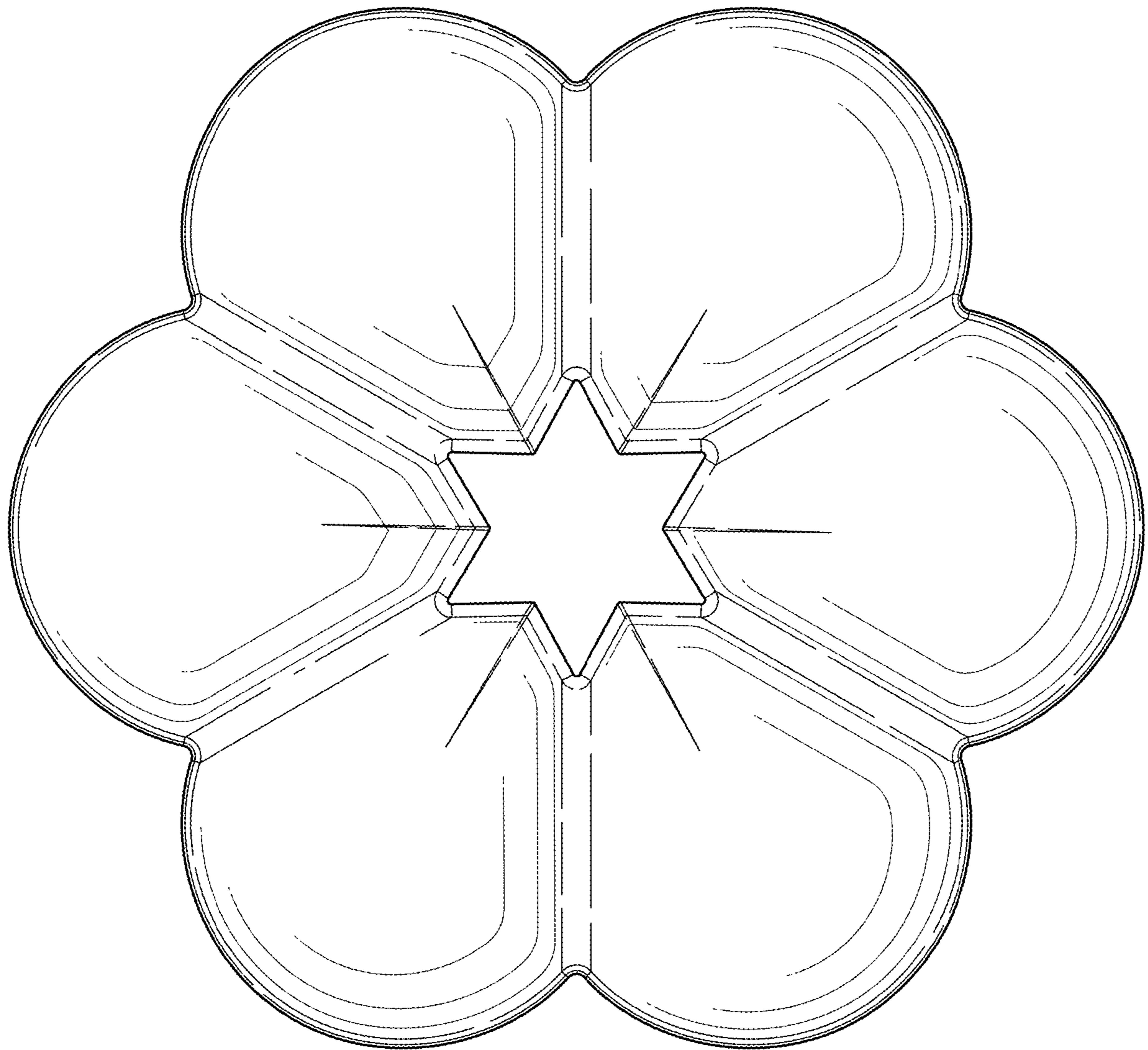


FIG. 5

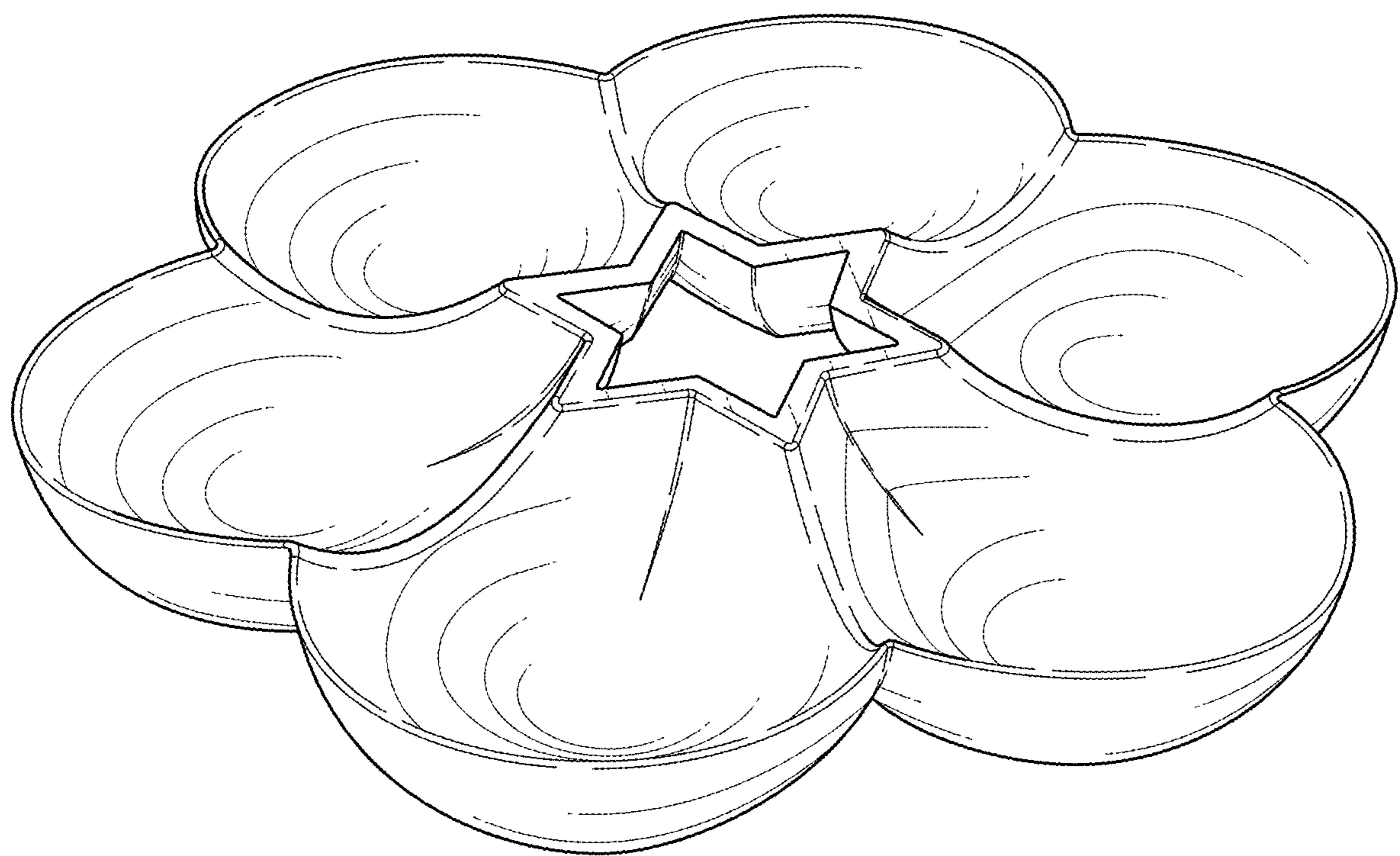


FIG. 6

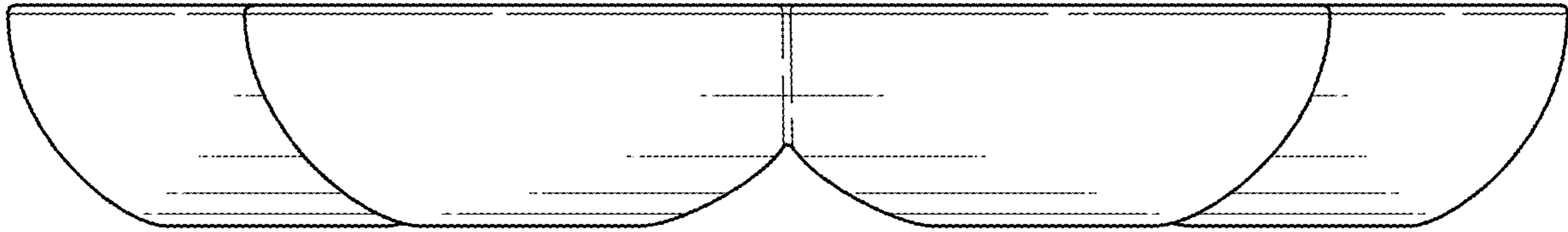


FIG. 7

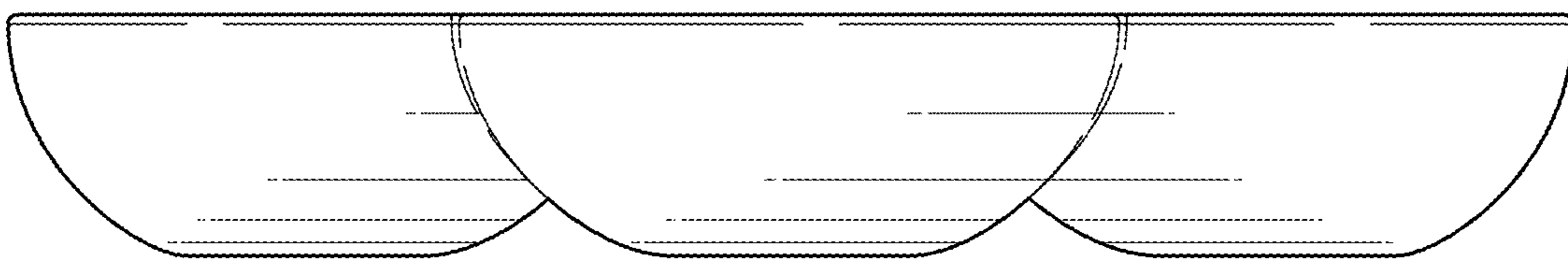


FIG. 8

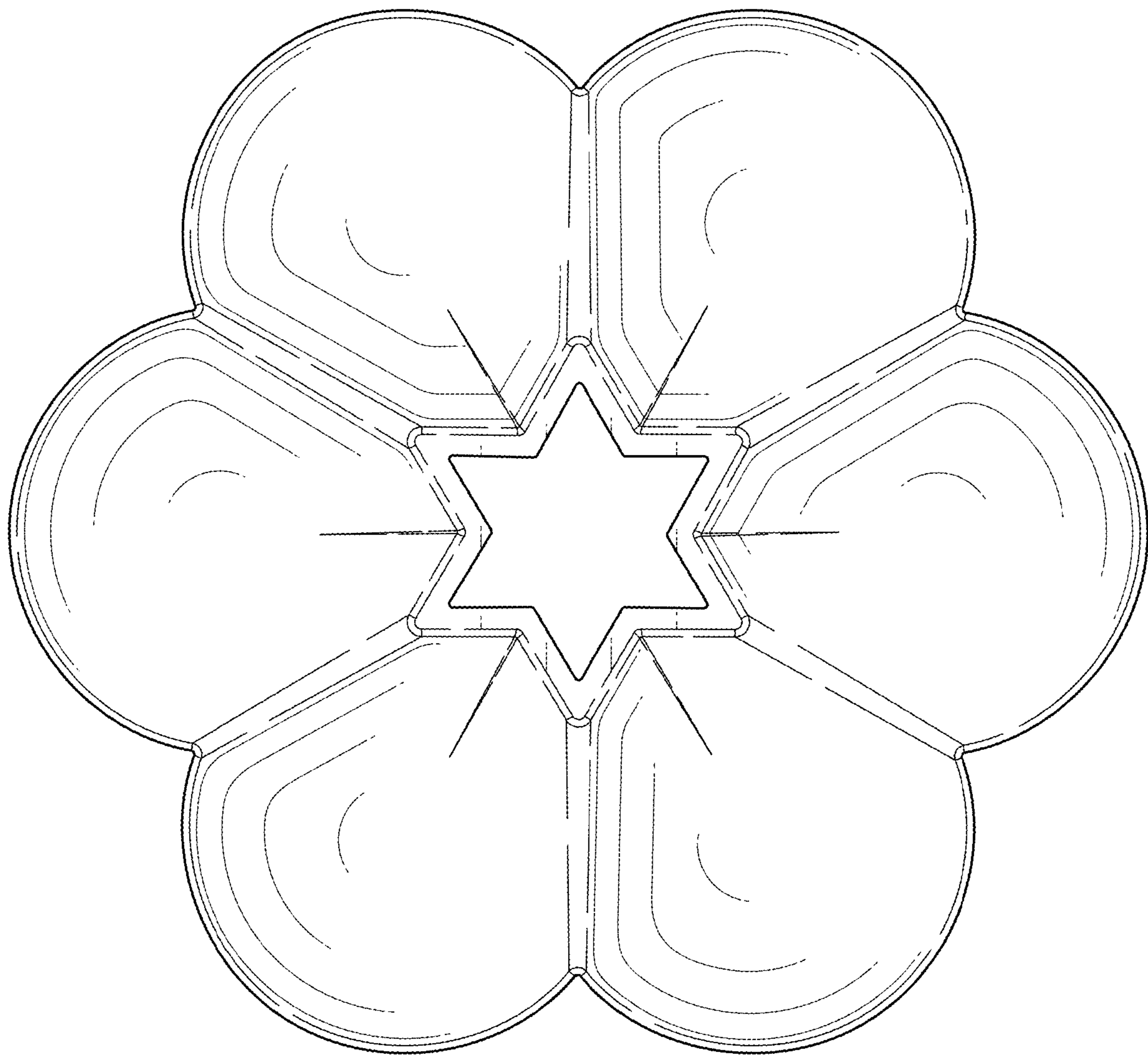


FIG. 9

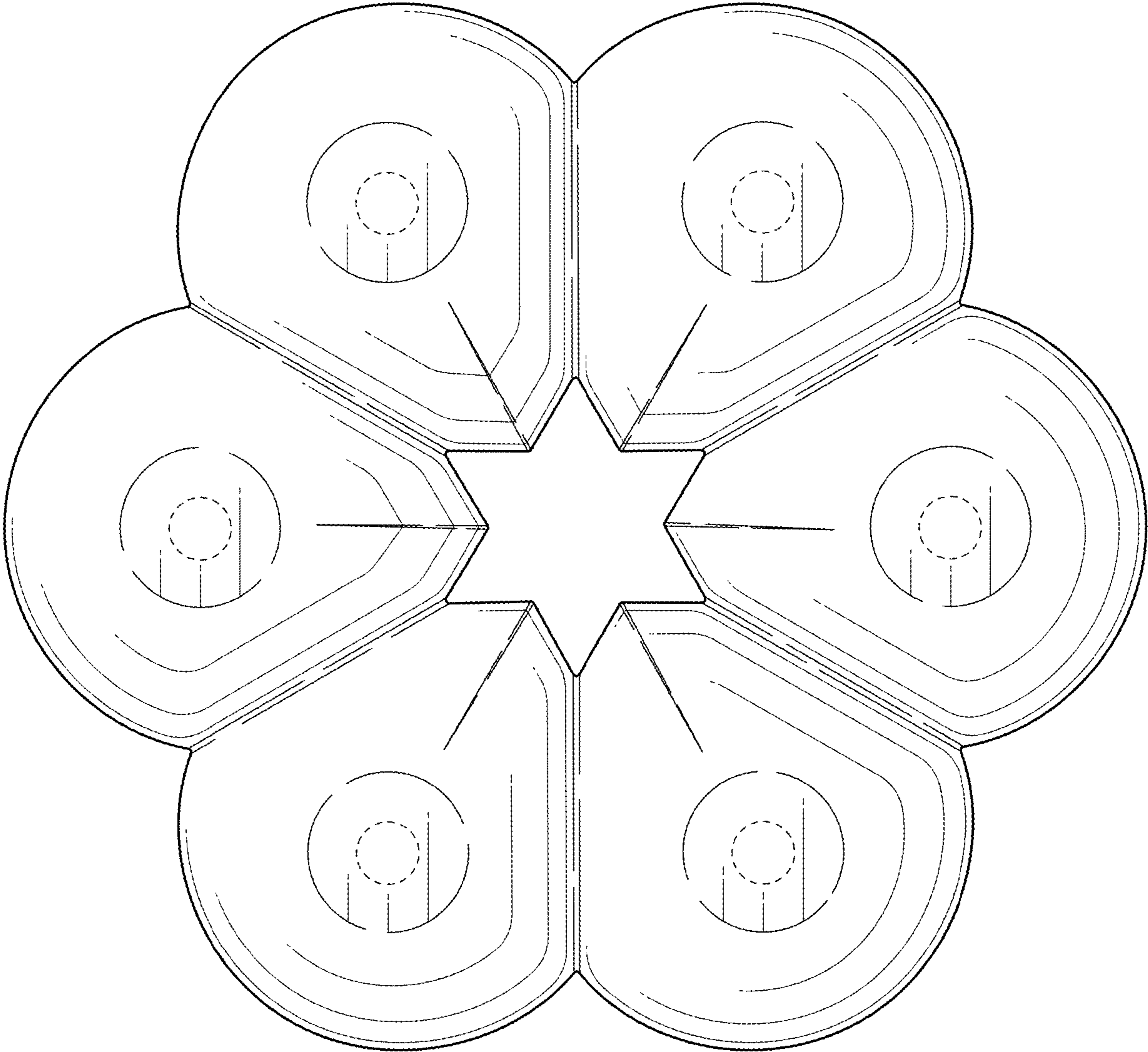


FIG. 10