

US00D944054S

(12) **United States Design Patent** (10) **Patent No.:** **US D944,054 S**
Sowieja et al. (45) **Date of Patent:** **** Feb. 22, 2022**

(54) **VALVE**
(71) Applicant: **Gehl Foods, LLC**, Germantown, WI (US)

1,006,623 A 10/1911 Barrett
D50,625 S 4/1917 Lund
1,556,206 A 4/1923 Dickey
(Continued)

(72) Inventors: **Michael Sowieja**, Richfield, WI (US);
Thomas Mitchell, Chicago, IL (US);
Anders Olof Rostlund, Chicago, IL (US)

FOREIGN PATENT DOCUMENTS

CN 1390751 A 1/2003
CN 101223100 A 7/2008
(Continued)

(73) Assignee: **Gehl Foods, LLC**, Germantown, WI (US)

OTHER PUBLICATIONS

(**) Term: **15 Years**

Communication pursuant to Rule 164(1) from the European Patent Office regarding European Application No. 15835591.7 dated Apr. 11, 2018, 16 pps.

(21) Appl. No.: **29/666,495**

(Continued)

(22) Filed: **Oct. 12, 2018**

Primary Examiner — Marissa J Cash

(74) *Attorney, Agent, or Firm* — Foley & Lardner LLP

Related U.S. Application Data

(60) Continuation of application No. 29/553,384, filed on Feb. 1, 2016, now Pat. No. Des. 830,768, which is a division of application No. 29/501,023, filed on Aug. 29, 2014, now abandoned.

(57) **CLAIM**

We claim the ornamental design for a valve, as shown and described.

(51) **LOC (13) Cl.** **07-01**

(52) **U.S. Cl.**
USPC **D7/398**

DESCRIPTION

(58) **Field of Classification Search**
USPC D7/396.2, 507, 509, 510, 511, 398;
D9/434-455, 524, 682, 685, 694;
215/200, 235, 236, 252, 254, 329,
215/355-364; 220/203.04-203.07, 220,
220/254.1, 254.4, 556, 703, 704, 705;
D6/542-545
CPC A47J 47/01; A47J 36/00; B05B 11/3047;
B05B 11/3067; B05B 11/0064
See application file for complete search history.

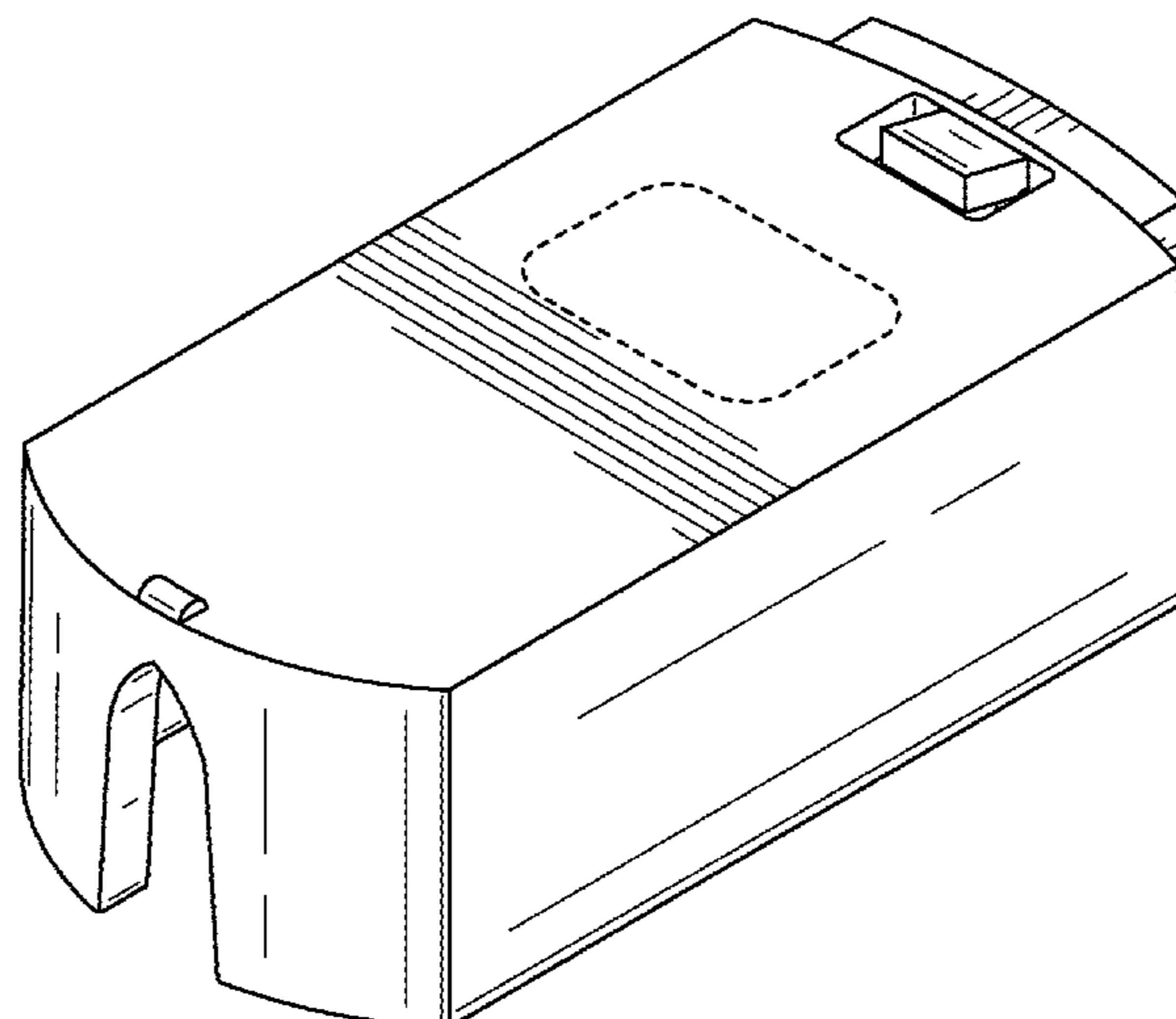
FIG. 1 is a top, rear, left perspective view of the claimed design;
FIG. 2 is a bottom, front, right perspective view thereof;
FIG. 3 is a rear elevation view thereof;
FIG. 4 is a front elevation view thereof;
FIG. 5 is a left elevation view thereof;
FIG. 6 is a right elevation view thereof;
FIG. 7 is a top plan view thereof; and,
FIG. 8 is a bottom plan view thereof.
The ornamental design which is claimed is shown in solid lines in the drawings. The broken lines in the drawings form no part of the claimed design. Broken lines formed by equal length dashes show unclaimed subject matter.

(56) **References Cited**

U.S. PATENT DOCUMENTS

D32,963 S 7/1900 Levering
915,884 A 3/1909 Poths

1 Claim, 5 Drawing Sheets



(56)

References Cited

U.S. PATENT DOCUMENTS

1,528,283 A	3/1925	Whitesides	4,724,981 A	2/1988	Realmuto
1,576,388 A	3/1926	Whitesides	D296,405 S	6/1988	Weaver
D83,729 S	3/1931	Hills	D297,105 S	8/1988	Hollinshead
1,859,126 A	5/1932	Boeuf	4,776,488 A	10/1988	Gurzan
1,912,304 A	5/1933	Phillips	4,795,062 A	1/1989	Bedwell et al.
2,244,071 A	6/1941	Landrus	4,846,236 A	7/1989	Deruntz
2,442,126 A	5/1948	Halstead	4,851,118 A	7/1989	Kurihara
2,609,122 A	9/1952	Stenerson	4,856,681 A	8/1989	Murray
D173,909 S	1/1955	Muller-Munk	4,913,713 A	4/1990	Bender et al.
2,713,988 A	7/1955	Kitterman	4,925,034 A	5/1990	Robichaud et al.
2,737,880 A	3/1956	Johnson	D309,395 S	7/1990	Thompson et al.
2,775,368 A	12/1956	De Vries	4,946,040 A	8/1990	Ipenburg
2,845,201 A	4/1958	Henry	4,961,508 A	10/1990	Weimer et al.
D183,532 S	9/1958	McCauley	4,997,108 A	3/1991	Hata
D184,606 S	3/1959	Cramer et al.	D319,190 S	8/1991	Wilding
D185,626 S	7/1959	Craig et al.	D321,453 S	11/1991	Ophardt
D185,833 S	8/1959	Bruntjen	5,096,092 A	3/1992	Devine
D194,658 S	2/1963	Gilson	5,102,015 A	4/1992	Barnard et al.
3,089,619 A	5/1963	Kass et al.	D327,432 S	6/1992	Farricielli
D196,874 S	11/1963	Fites	5,121,658 A	6/1992	Lew
3,114,480 A	12/1963	Sauter	5,125,542 A	6/1992	Blanc
D199,046 S	9/1964	Felske	D328,007 S	7/1992	Mondry et al.
3,173,579 A	3/1965	Curie et al.	D328,008 S	7/1992	Avery
3,186,596 A	6/1965	Badgett	D328,220 S	7/1992	Barnard et al.
3,239,104 A	3/1966	Scholle	5,142,610 A	8/1992	Augustine et al.
3,248,011 A	4/1966	Brodsky et al.	5,150,802 A	9/1992	Jeffers
D204,822 S *	5/1966	Burker D23/206	5,158,210 A	10/1992	Du
D205,702 S	9/1966	Christine et al.	D332,200 S	1/1993	Credle, Jr.
3,312,468 A	4/1967	Lynch	D334,874 S	4/1993	Mealey et al.
3,343,724 A	9/1967	Malpas	5,230,443 A	7/1993	Du
D209,127 S	10/1967	Martin	D345,085 S	3/1994	Sewell
3,366,278 A	1/1968	Fobes	5,325,995 A	7/1994	Harrison et al.
3,369,720 A *	2/1968	Libit B65D 45/02 222/517	5,337,775 A	8/1994	Lane et al.
3,387,903 A	6/1968	Karlen	5,350,083 A	9/1994	Du
3,445,039 A	5/1969	Brodsky et al.	5,361,943 A	11/1994	Du
D215,045 S	8/1969	Benjamin	5,428,066 A	6/1995	Larner et al.
3,549,049 A	12/1970	Weber	D359,874 S	7/1995	Smith et al.
D220,303 S	3/1971	Gran	5,429,681 A	7/1995	Mesenbring
D223,325 S	4/1972	Mox	5,435,463 A	7/1995	Hodgson
D231,808 S	6/1974	Fossella	5,435,466 A	7/1995	Du
3,878,360 A	4/1975	Augustine et al.	D365,962 S	1/1996	Amundsen et al.
3,881,641 A	5/1975	Pliml et al.	5,490,613 A	2/1996	Taylor et al.
3,924,777 A	12/1975	Peyser	D368,304 S	3/1996	Morrison
D240,108 S	6/1976	McGrew	D372,650 S	8/1996	Bundy
4,018,357 A	4/1977	Ostrem	D375,431 S	11/1996	Credle et al.
4,049,157 A	9/1977	Carson	5,573,047 A	11/1996	Akin
D246,310 S	11/1977	Syverson et al.	5,579,945 A	12/1996	Ichikawa et al.
4,176,767 A	12/1979	Franche, IV	5,579,959 A	12/1996	Bennett et al.
D253,987 S	1/1980	Painter	5,622,484 A	4/1997	Taylor-McCune et al.
D254,184 S	2/1980	Martin et al.	5,624,056 A	4/1997	Martindale
4,214,675 A	7/1980	Schmit	D384,863 S	10/1997	Danemayer
D256,947 S	9/1980	Terrazas	D385,715 S	11/1997	Curry
D262,792 S	1/1982	Markley et al.	D390,753 S	2/1998	Danemayer
4,314,654 A	2/1982	Gaubert	D392,843 S	3/1998	Mulvihill
4,322,019 A	3/1982	Smith	5,752,319 A	5/1998	Su et al.
D265,653 S	8/1982	Arzberger et al.	D398,964 S	9/1998	Doughty et al.
4,406,247 A	9/1983	Baughman	5,803,317 A	9/1998	Wheeler
4,416,395 A	11/1983	Gaubert	5,833,120 A	11/1998	Evans et al.
4,417,672 A	11/1983	Eppenbach	5,836,482 A	11/1998	Ophardt et al.
D272,976 S	3/1984	Lalumiere	5,845,812 A	12/1998	Morrison
4,440,316 A	4/1984	Christine	D408,667 S	4/1999	Curry
4,446,988 A	5/1984	Chronis	6,003,733 A	12/1999	Wheeler
D274,779 S	7/1984	Lalumiere	6,016,935 A	1/2000	Huegerich et al.
D277,633 S	2/1985	McClellan	6,036,166 A	3/2000	Olson
4,497,351 A	2/1985	Garcia	D425,792 S	5/2000	Haller
4,513,885 A	4/1985	Hogan	6,056,157 A	5/2000	Gehl et al.
4,515,294 A	5/1985	Udall	6,082,587 A	7/2000	Martindale et al.
D282,617 S	2/1986	Hogan	6,089,406 A	7/2000	Feldner
4,602,725 A	7/1986	Malpas et al.	6,138,878 A	10/2000	Savage et al.
4,621,750 A	11/1986	Roethel	6,142,340 A	11/2000	Watanabe et al.
D287,615 S	1/1987	Pritchitt	6,158,623 A	12/2000	Benavides et al.
D290,074 S	6/1987	Braun	6,189,736 B1	2/2001	Phallen et al.
4,690,307 A	9/1987	Hogan	6,193,111 B1	2/2001	Adams
4,712,714 A	12/1987	Mucciarone	6,196,420 B1	3/2001	Gutierrez et al.
			6,223,944 B1	5/2001	Gehl et al.
			6,227,420 B1	5/2001	Jepson
			6,273,297 B1	8/2001	Schalow et al.
			D448,633 S	10/2001	Langlois
			D453,663 S	2/2002	Mori

(56)

References Cited

U.S. PATENT DOCUMENTS

6,345,734 B2	2/2002	Schalow et al.	D755,045 S	5/2016	Kuo	
6,378,730 B1	4/2002	Reddy et al.	D758,810 S	6/2016	Peterson et al.	
6,405,897 B1	6/2002	Jepson et al.	9,370,273 B2	6/2016	Li et al.	
6,419,121 B1	7/2002	Gutierrez et al.	D763,077 S	8/2016	Mitchell et al.	
6,460,735 B1	10/2002	Greenwald et al.	D764,912 S	8/2016	Houyoux	
D467,477 S	12/2002	Berens et al.	D768,488 S	10/2016	Gorsic	
6,488,179 B1	12/2002	Vujicic et al.	D779,875 S	2/2017	Gross et al.	
D480,639 S	10/2003	Ciavarella et al.	9,585,513 B2	3/2017	Hanes et al.	
6,668,643 B1	12/2003	Pettinaroli et al.	D782,907 S *	4/2017	Sowieja	D9/447
D486,698 S	2/2004	Hutchison	D792,164 S	7/2017	Mitchell et al.	
6,691,894 B2	2/2004	Chrisman et al.	9,717,354 B2	8/2017	Gehl et al.	
6,698,624 B2	3/2004	Ufheil et al.	D798,106 S *	9/2017	Sowieja	D7/398
6,708,741 B1	3/2004	Berry et al.	9,878,892 B2	1/2018	Jersey et al.	
6,722,530 B1	4/2004	King et al.	D813,357 S	3/2018	Bryant et al.	
6,726,061 B2	4/2004	Good	D819,383 S *	6/2018	Hecht	D7/306
6,814,262 B1	11/2004	Adams et al.	D820,614 S *	6/2018	Buell	D6/545
6,860,407 B2	3/2005	Gosselin	D823,614 S *	7/2018	Govers	D6/545
6,871,015 B2	3/2005	Gutierrez et al.	D830,768 S *	10/2018	Sowieja	D7/398
D506,369 S	6/2005	Norton	D835,756 S	12/2018	Auxter et al.	
D509,137 S	9/2005	Hierzer et al.	D836,976 S *	1/2019	Reese	D7/396.2
6,938,801 B1	9/2005	Reddy et al.	D843,168 S *	3/2019	Donovan	D7/398
D515,919 S	2/2006	Hierzer et al.	D844,113 S	3/2019	Auxter et al.	
7,007,824 B2	3/2006	Danby et al.	D860,720 S	9/2019	Gallagher	
7,025,230 B1	4/2006	Salmela	D860,723 S *	9/2019	Gallagher	D7/398
D531,457 S	11/2006	Gold et al.	D862,924 S *	10/2019	Krishnan	D6/542
7,147,134 B2	12/2006	Nestec	D866,309 S	11/2019	McGrath	
7,262,838 B2	8/2007	Fritz	D872,513 S	1/2020	Kaplan et al.	
7,278,553 B2	10/2007	Py et al.	D878,520 S	3/2020	Auxter et al.	
7,322,491 B2	1/2008	Py et al.	D895,776 S	9/2020	Horning et al.	
7,357,277 B2	4/2008	Verespej et al.	D906,482 S	12/2020	Auxter et al.	
D570,675 S	6/2008	Snider et al.	D924,683 S *	7/2021	Vallotton	D9/435
7,455,200 B2	11/2008	Gehl et al.	D931,100 S *	9/2021	Rudkin	D9/448
D583,022 S	12/2008	Soulier	2002/0092879 A1	7/2002	Chrisman et al.	
D585,965 S	2/2009	Kohler et al.	2002/0179605 A1	12/2002	Miani et al.	
D589,123 S	3/2009	Soulier	2003/0015556 A1	1/2003	Wild et al.	
7,624,479 B1	12/2009	Lin	2003/0066978 A1	4/2003	Enerson	
7,651,015 B2	1/2010	Girard et al.	2003/0116584 A1	6/2003	Gutierrez et al.	
D613,558 S	4/2010	Gold et al.	2004/0222233 A1	11/2004	Gosselin	
D616,707 S	6/2010	Gold et al.	2004/0238563 A1	12/2004	Lin	
7,731,060 B2	6/2010	Jones	2005/0121464 A1	6/2005	Miller et al.	
7,770,408 B2	8/2010	Kim et al.	2005/0167443 A1	8/2005	Sanfilippo et al.	
7,789,269 B2	9/2010	Pritchard	2005/0167444 A1	8/2005	Sanfilippo et al.	
D627,223 S *	11/2010	Storti	2005/0252937 A1	11/2005	Gehl et al.	
D628,035 S	11/2010	Paige	2006/0011640 A1	1/2006	Shaygan	
7,828,020 B2	11/2010	Girard et al.	2006/0071020 A1	4/2006	Wiesner et al.	
7,850,051 B2	12/2010	Py et al.	2006/0138167 A1	6/2006	McMahon et al.	
D632,144 S	2/2011	Weisenbach	2007/0029343 A1	2/2007	Sanfilippo et al.	
7,971,604 B2	7/2011	McDonald et al.	2008/0029540 A1	2/2008	Johnson	
7,980,424 B2	7/2011	Johnson	2008/0078781 A1	4/2008	Py et al.	
8,091,735 B2	1/2012	Girard et al.	2008/0083788 A1	4/2008	Py et al.	
8,146,780 B2	4/2012	Compton et al.	2008/0105701 A1	5/2008	Niss et al.	
D659,008 S	5/2012	Gately et al.	2008/0116225 A1	5/2008	Py et al.	
8,205,771 B2	6/2012	Compton	2008/0116226 A1	5/2008	Py et al.	
8,206,034 B2	6/2012	Keen et al.	2008/0169309 A1	7/2008	Kroeger	
D671,620 S	11/2012	March et al.	2008/0314923 A1 *	12/2008	Faller	G07F 11/24 222/101
8,336,740 B1	12/2012	Daansen	2009/0020559 A1	1/2009	Sanfilippo et al.	
8,353,428 B2	1/2013	Pritchard	2009/0283541 A1	11/2009	Compton et al.	
8,371,476 B2	2/2013	Weissbrod	2010/0038380 A1 *	2/2010	Compton	B65D 75/5877 222/105
D684,013 S	6/2013	Vance	2010/0147884 A1	6/2010	Compton et al.	
8,474,495 B2	7/2013	Singleton et al.	2010/0176155 A1	7/2010	Baron et al.	
D689,100 S	9/2013	Wirz Luchsinger	2010/0264146 A1	10/2010	Casale et al.	
8,528,807 B2	9/2013	Kaneko	2010/0288767 A1	11/2010	Seelhofer	
D696,943 S	1/2014	Kim	2011/0017774 A1	1/2011	Pritchard	
8,881,948 B1	11/2014	Lassota	2011/0024463 A1	2/2011	Py et al.	
8,887,960 B2	11/2014	Hardman	2011/0042410 A1	2/2011	Paulen	
D718,621 S	12/2014	Mitchell et al.	2011/0108572 A1	5/2011	Murray	
D719,403 S	12/2014	Halioua	2012/0046785 A1	2/2012	Deo et al.	
D720,188 S	12/2014	Burke et al.	2012/0152976 A1	7/2012	Yoshida et al.	
D727,138 S	4/2015	Cross	2012/0211519 A1	8/2012	Hauner et al.	
D731,273 S	6/2015	McPeak Ford et al.	2014/0069963 A1	3/2014	Stein	
D731,310 S	6/2015	Demey et al.	2015/0102057 A1 *	4/2015	Gehl	B67D 7/302 222/81
D731,839 S	6/2015	Tomasson et al.	2015/0217906 A1	8/2015	Ichikawa et al.	
D732,330 S	6/2015	Cha et al.	2017/0121167 A1 *	5/2017	Johnson	B67D 3/0022
9,045,260 B2	6/2015	Norris et al.	2017/0251846 A1 *	9/2017	Sowieja	A47G 19/183
D754,536 S	4/2016	Arriaga	2017/0251847 A1	9/2017	Gehl et al.	
			2018/0214641 A1	8/2018	Zund	

(56)

References Cited

U.S. PATENT DOCUMENTS

2018/0304179 A1 10/2018 Auxter et al.
 2019/0336744 A1 11/2019 Marquis-Gravel et al.
 2021/0053081 A1* 2/2021 Holtzman B05B 11/0054

FOREIGN PATENT DOCUMENTS

CN	101516762	A	8/2009
CN	303249843		6/2015
CN	303951299		11/2016
CN	304313977		10/2017
EM	000574843-0003		8/2006
EP	0 150 144		7/1985
EP	0 538 91		2/1986
EP	0 409 759	A1	1/1991
EP	0 962 421		12/1999
EP	1 264 776	A1	12/2002
GB	2 068 910	A	8/1981
GB	2 154 991		9/1985
IN	281125-0001		3/2017
JP	52-001760		2/1955
JP	H09-104474		4/1997
JP	2002-211596	A	7/2002
JP	2009-249042	A	10/2009
KR	10-2012-0099678		9/2012
KR	1020120099678		9/2012
MX	48748-0001		2/2017
TW	D122024		3/2008
TW	D122218		4/2008
TW	D165705		2/2015
WO	WO-2013/029163		3/2013
WO	WO-D97487/000001		8/2017

OTHER PUBLICATIONS

Dispenser Value with Chili Sauce Bag in Box by Gehls, dated Jan. 6, 2014, found online Apr. 28, 2018, <https://www.roundeyesupply.com/Gehls-Dispenser-Value-With-Chili-Sauce-Bag-In-Box-p/de439156.htm>.

DS Smith Plastics, <http://www.dssmith.com/plastics/offering/flexible-packaging--dispensing-solutions/rapak/rapak-bags/>, date accessed: Sep. 30, 2014, 3 pages.

International Preliminary Report on Patentability for Application No. PCT/US2014/059119, dated Apr. 21, 2016, 10 pages.

International Search Report and Written Opinion for International Application No. PCT/US2014/059119, dated Feb. 25, 2015, 12 pages.

International Search Report and Written Opinion for International Application No. PCT/US2015/047491, dated Oct. 29, 2015, 14 pages.

Liqui-Box, "Fitments", <http://www.liquibox.com/fitments>, date accessed: Sep. 26, 2014, 2 pages.

Scholle Packaging, <http://www.scholle.com/products>, date accessed: Sep. 30, 2014, 3 pages.

Orbit, "Orbit 53210 Sprinkler System 7-Inch Circular Valve Box," Nov. 11, 2011, Amazon.ca, www.amazon.ca/dp/B000Lo4GT6 (Year: 2011).

Steeman, Anton, "Interesting Developments in Stand-Up Pouches—Part 02," Oct. 16, 2013, Best in Packaging, <https://bestinpackaging.wordpress.com/2013/10/16/interesting-developments-in-stand-up-pouches-part-02/> (Year: 2013).

Arlington, "Arlington Industries 38AST-50," Dec. 2, 2011, Amazon.com, www.amazon.com/dp/B0069KVVV2 (Year: 2011).

Dorman, "Dorman 800-091 Fuel Line Quick Connector," Jul. 7, 2004, Amazon.com, www.amazon.com/dp/BOOOE35WKG (Year: 2004).

Alibaba, 3-way Ball Valve, 2016, https://www.alibaba.com/product-detail/10000psi-cng-dispenser-3-way-ball_1797882372.html.

Balaji Tube Corporation, Valves, 2016, http://www.balajitube.com/?page_id=55.

Communication on EP Application No. 14851552.1, dated Mar. 13, 2019, 2 pages.

Communication on EP Application No. 14851552.1, dated Sep. 14, 2018, 2 pages.

Examination Report on AU Application No. 2014332235, dated Apr. 3, 2018, 5 pages.

Examiner's Report on CA Application No. 161166, dated May 14, 2015, 23 pages.

Examiner's Report on CA Application No. 161166, dated Nov. 3, 2015, 12 pages.

Examiner's Report on CA Application No. 161167, dated May 14, 2015, 25 pages.

Examiner's Report on CA Application No. 161168, dated May 14, 2015, 32 pages.

Extended European Search Report on EP Application No. 15835591.7, dated Jul. 19, 2018, 4 pages.

International Preliminary Report on Patentability for International Application No. PCT/US2015/047491, dated Feb. 28, 2017, 10 pages.

Office Action on CN Application No. 201480067462.3, dated Mar. 1, 2019, 8 pages with translation.

Office Action on CN Application No. 201480067462.3, dated May 30, 2018, 21 pages with translation.

Office Action on CN Application No. 201580054261.4, dated Aug. 2, 2018, 7 pages, with translation.

Office Action on CN Application No. 201580054261.4, dated Feb. 24, 2018, 5 pages with translation.

Office Action on IN Application No. 280876, dated Jun. 20, 2016, 2 pages.

Office Action on JP Application No. 2016-004251, dated Apr. 28, 2016, 1 page.

Office Action on JP Application No. 2016-547839, dated Jan. 22, 2018 25 pages with translation.

Office Action on JP Application No. 2016-547839, dated Nov. 5, 2018, 16 pages with translation.

Office Action on JP Application No. 2017-510573 dated Sep. 6, 2019 (16 pages).

Office Action on TW Application No. 105300945, dated Oct. 25, 2016, 4 pages with translation.

Partial European Search Report on EP Application No. 15835591.7, dated Apr. 11, 2018, 4 pages.

Steeltubedirect.co.uk: ERWTunnel Section Steel Tube and Pipe, 1 page. Jan. 7, 2016, http://www.steeltubedirect.co.uk/product_selector.aspx?category=100002&shape=155.

Supplementary European Search Report on EP 14851552.1, dated Jun. 23, 2017, 4 pages.

* cited by examiner

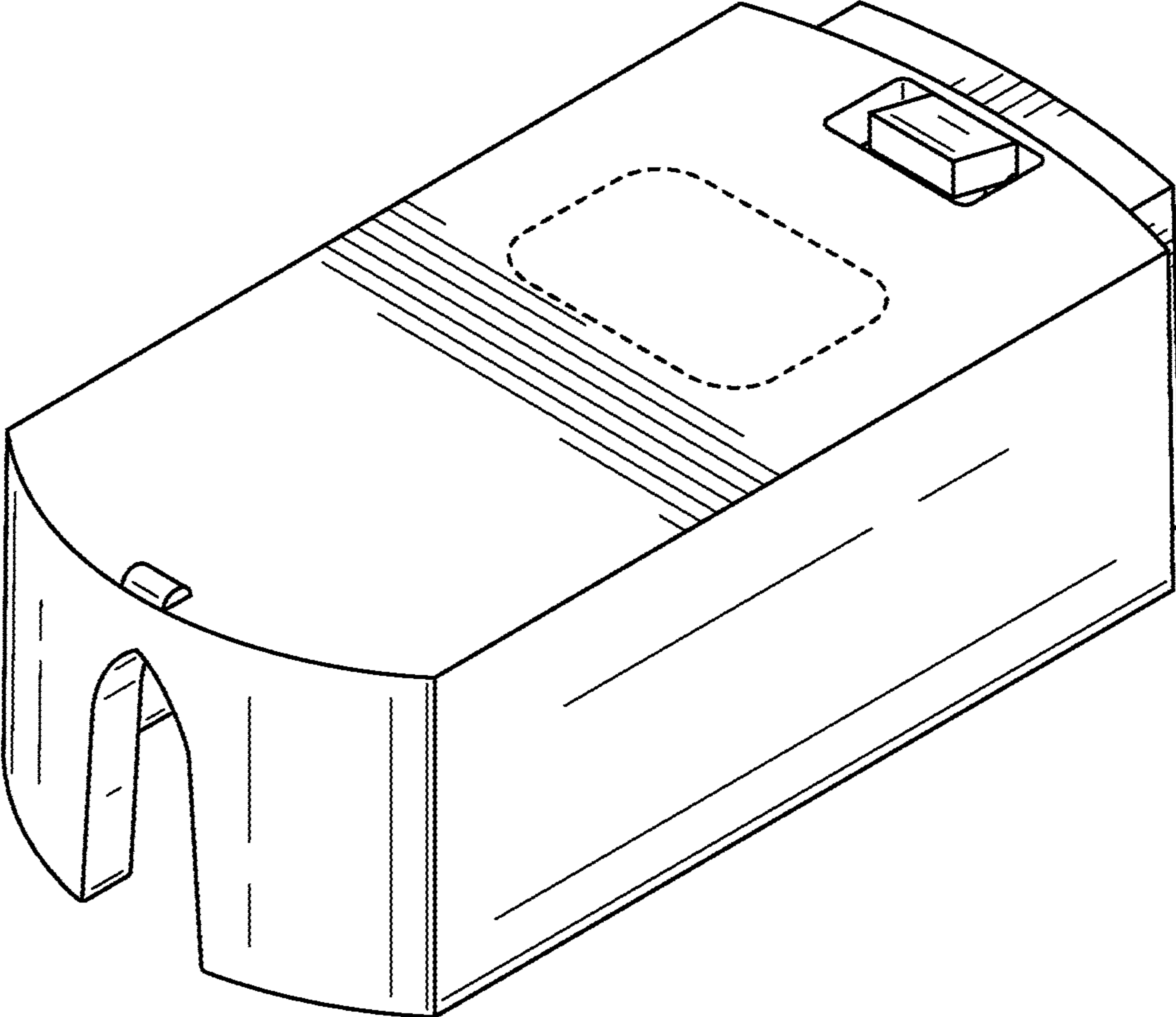


FIG. 1

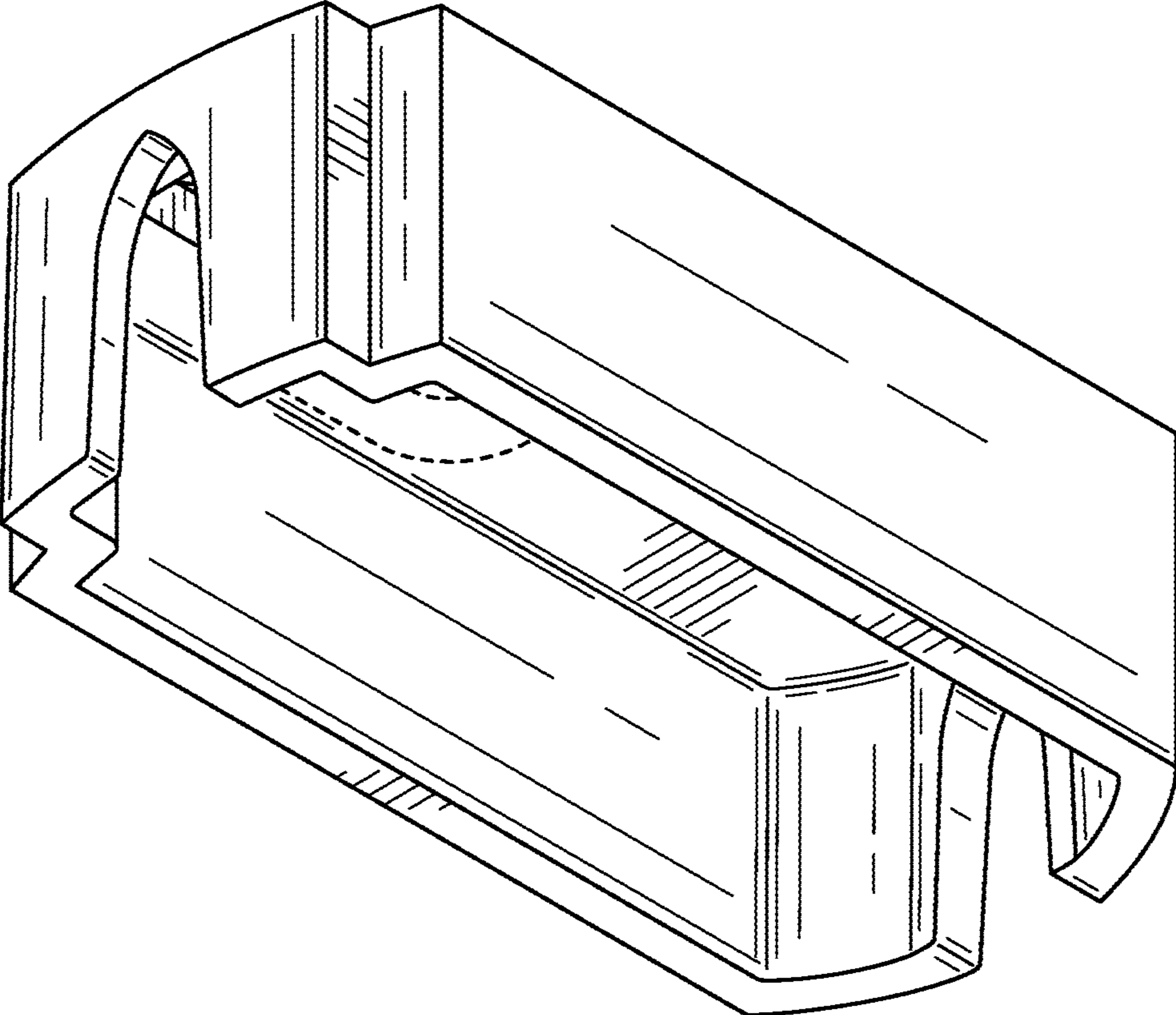


FIG. 2

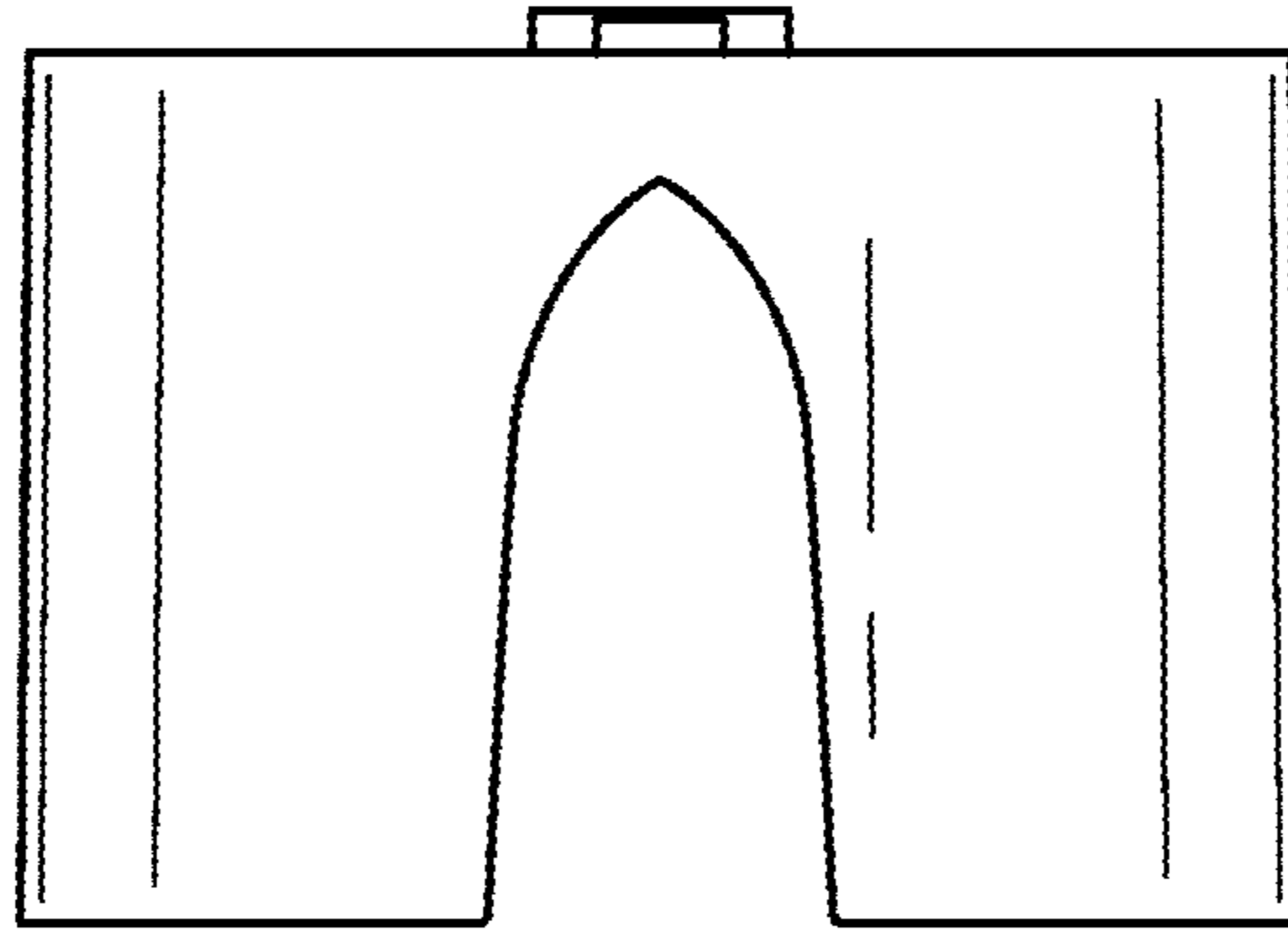


FIG. 3

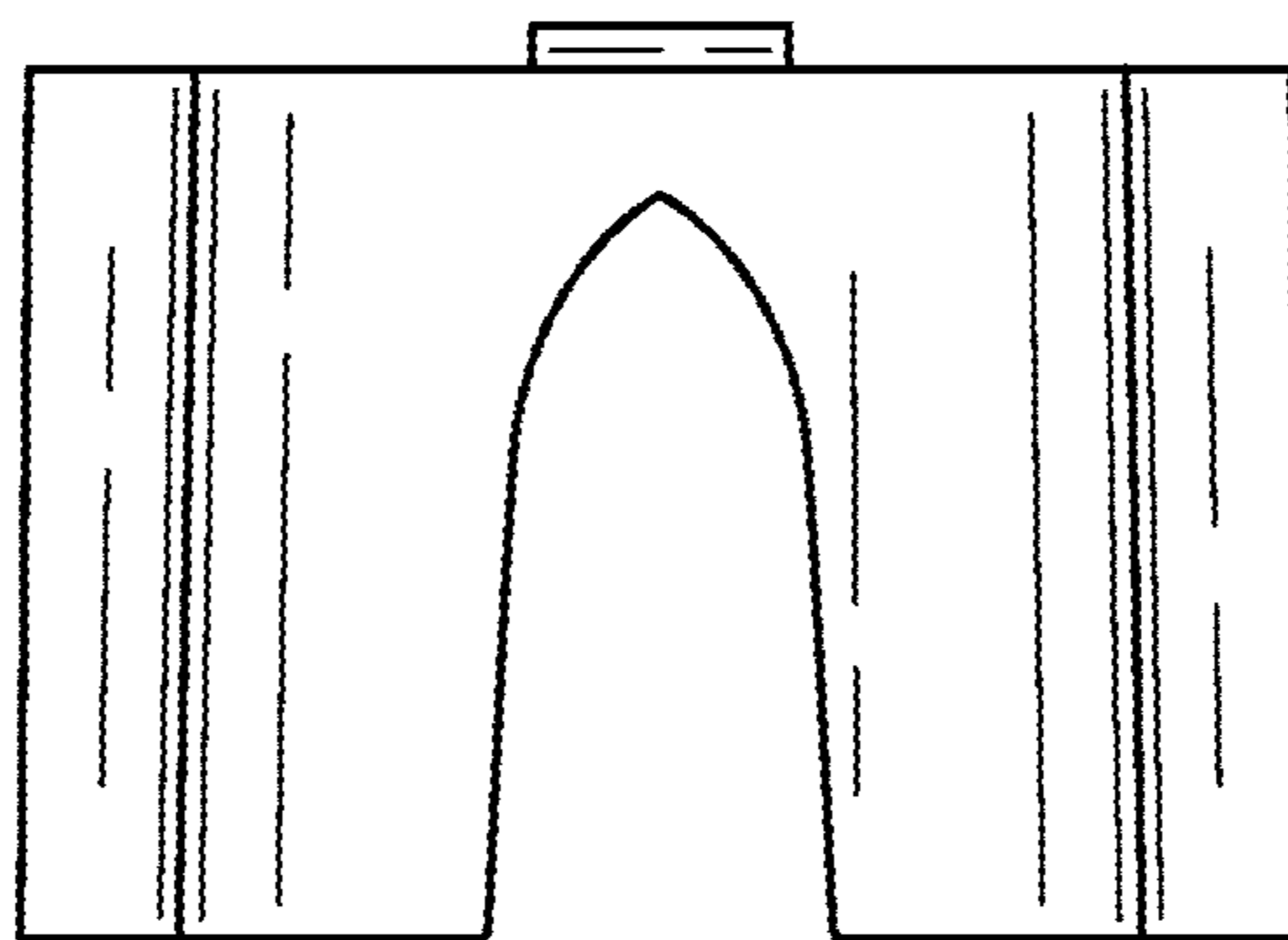


FIG. 4

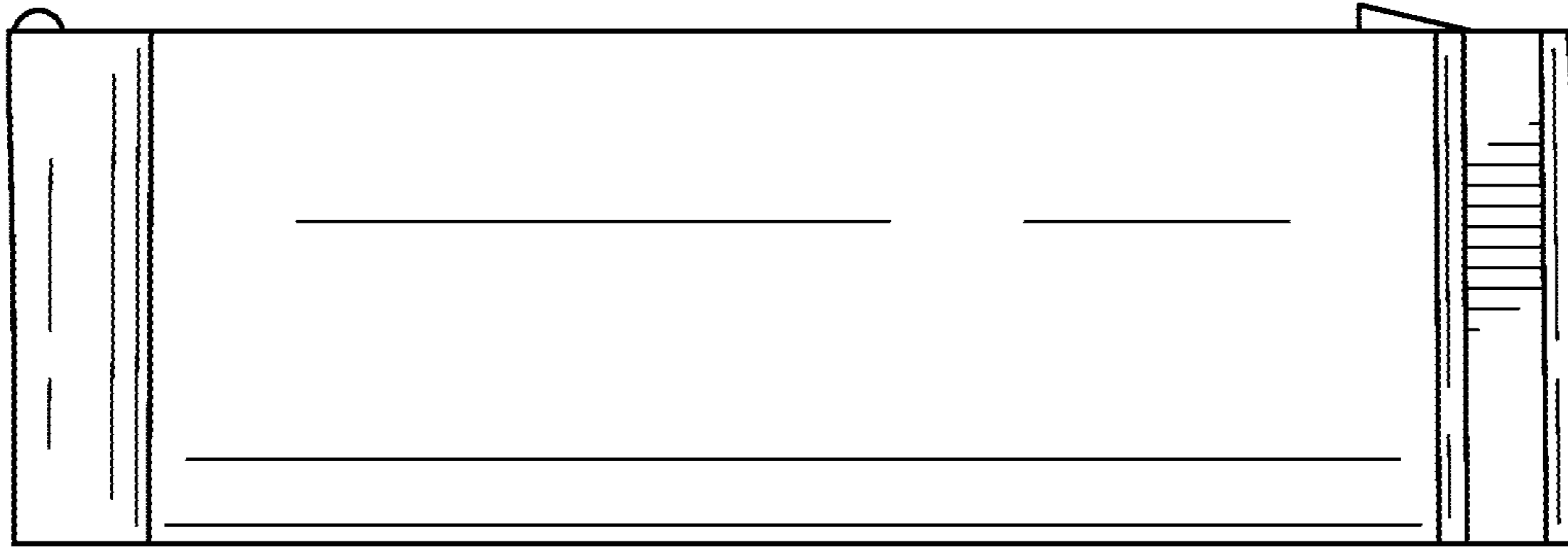


FIG. 5

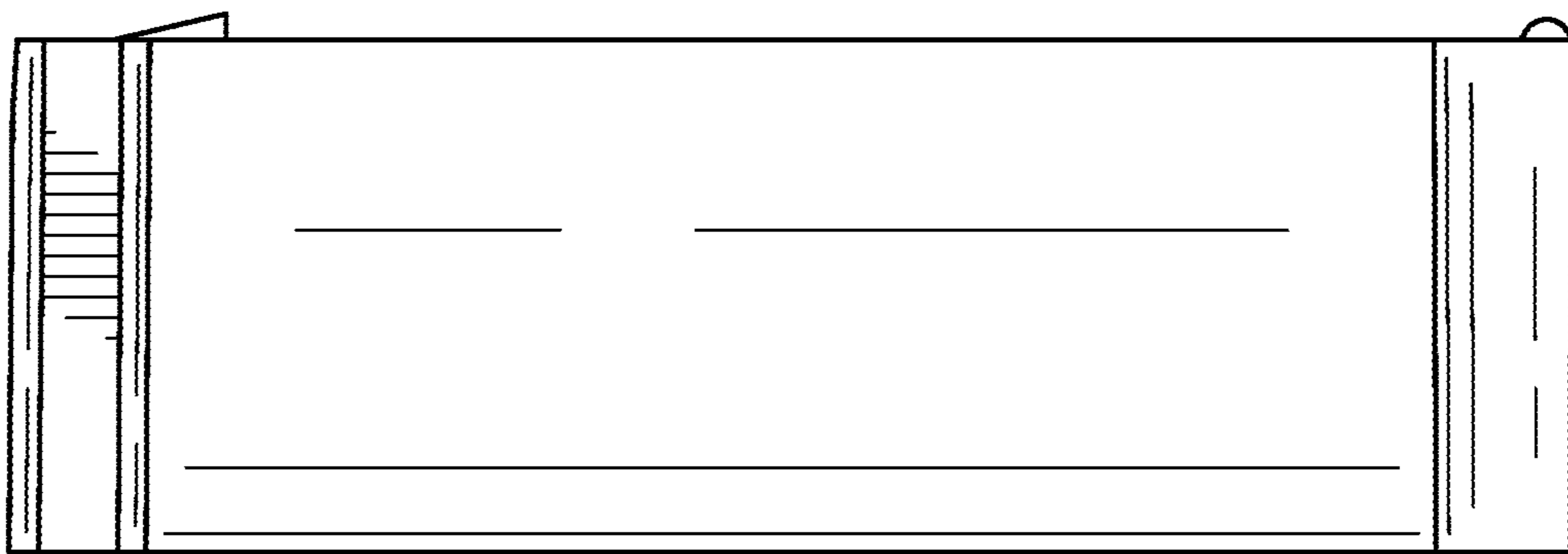


FIG. 6

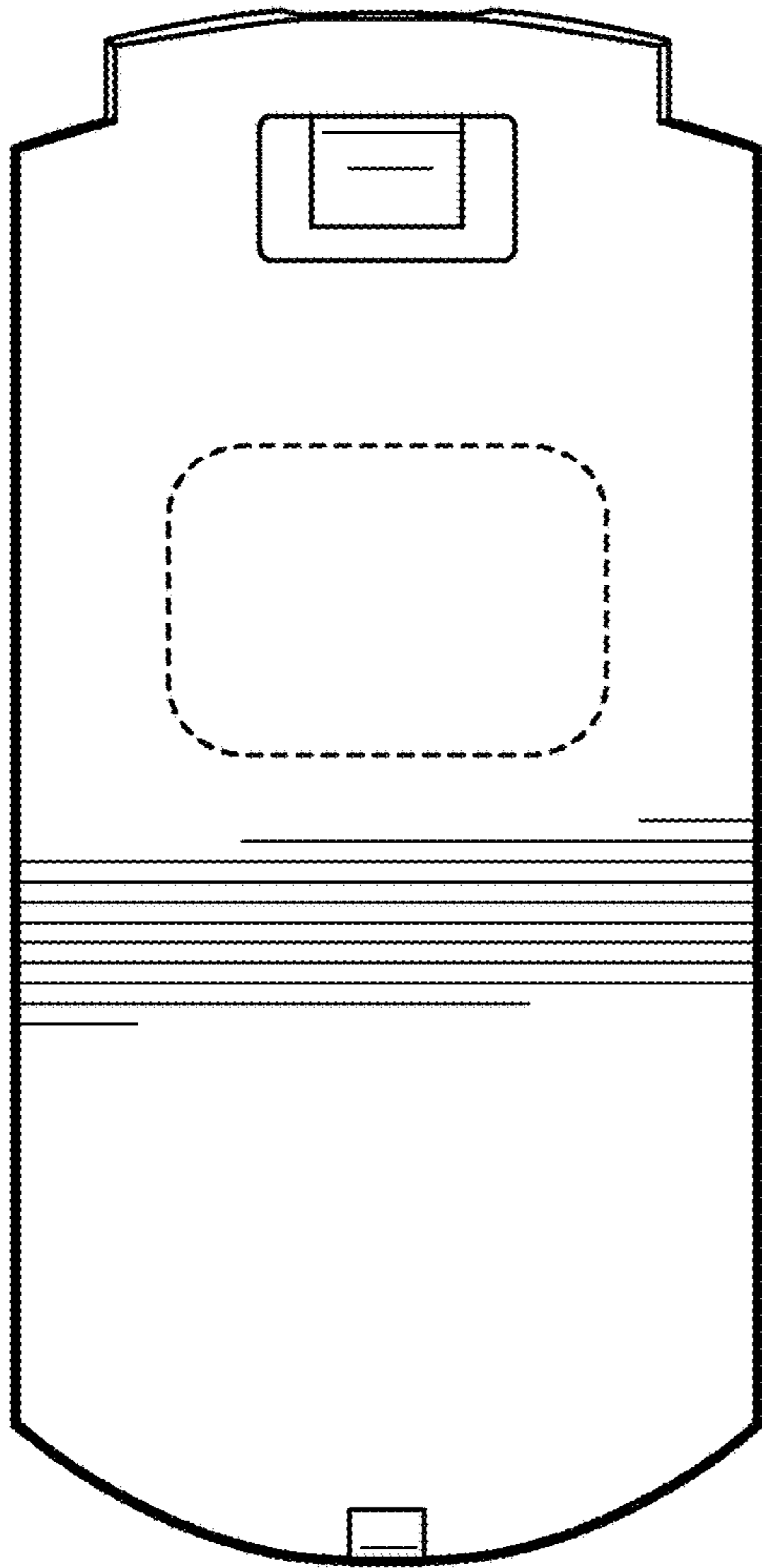


FIG. 7

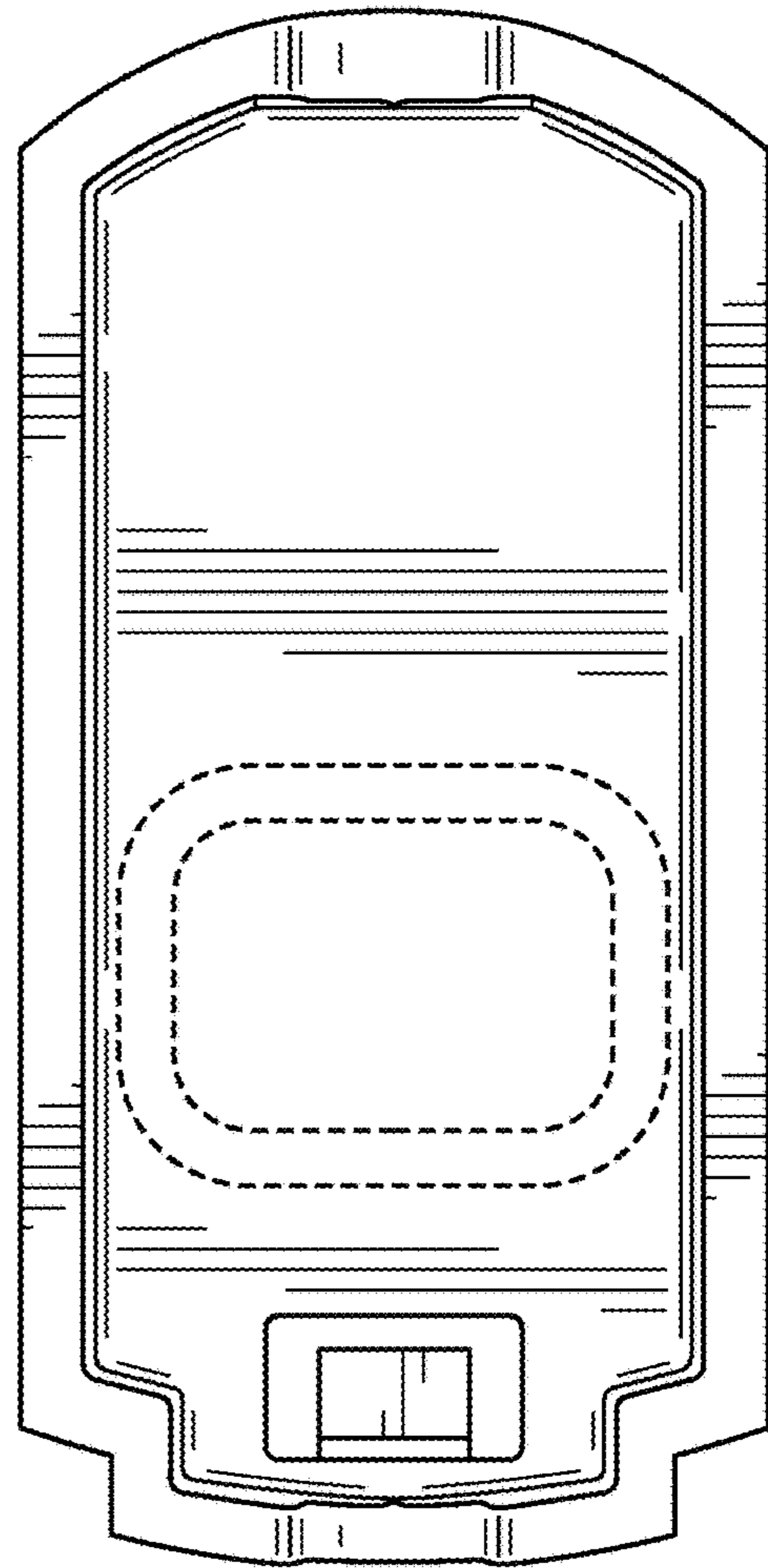


FIG. 8