



US00D944052S

(12) **United States Design Patent**  
**Yao**

(10) **Patent No.:** **US D944,052 S**

(45) **Date of Patent:** **\*\* Feb. 22, 2022**

(54) **BOTTLE LID**

(71) Applicant: **Bader Almuhtadi**, Tampa, FL (US)

(72) Inventor: **Huajun Yao**, Hangzhou (CN)

(\*\*) Term: **15 Years**

(21) Appl. No.: **29/756,927**

(22) Filed: **Nov. 2, 2020**

(30) **Foreign Application Priority Data**

Jun. 17, 2020 (CN) ..... 202030310800.X

(51) **LOC (13) Cl.** ..... **09-07**

(52) **U.S. Cl.**  
USPC ..... **D7/392.1**; D9/443; D7/396.2

(58) **Field of Classification Search**  
USPC ..... D9/435, 439, 440, 442-449, 450, 454,  
D9/531, 682-694, 723; D7/321, 391,  
D7/392, 392.1, 396.2, 507, 509-511, 523,  
D7/608, 900; D6/515

CPC .... B65D 83/205; B65D 83/206; B65D 83/40;  
B65D 2543/00046; A47G 19/2272

See application file for complete search history.

(56) **References Cited**

**U.S. PATENT DOCUMENTS**

D605,942 S	*	12/2009	Miksovsky	.....	D9/446
D719,780 S	*	12/2014	Sullivan	.....	D7/392.1
D763,076 S	*	8/2016	Lane	.....	D9/446
D763,688 S	*	8/2016	Breit	.....	D9/443
D767,390 S	*	9/2016	Miksovsky	.....	D9/446
D772,652 S	*	11/2016	Yao	.....	D7/511
D801,111 S	*	10/2017	Eyal	.....	D7/392.1
D807,110 S	*	1/2018	Lown	.....	D7/391
D813,668 S	*	3/2018	Miller	.....	D9/446
D817,085 S	*	5/2018	Davis	.....	D7/392.1
D824,721 S	*	8/2018	Hu	.....	D7/392.1
D824,722 S	*	8/2018	Marina	.....	D7/396.2
D825,332 S	*	8/2018	Miksovsky	.....	D9/446

D843,778 S	*	3/2019	Yao	.....	D7/392.1
D848,786 S	*	5/2019	Bujalska	.....	D7/392.1
D856,067 S	*	8/2019	Barber	.....	D7/392.1
D858,181 S	*	9/2019	Lown	.....	D7/392.1
D863,879 S	*	10/2019	Merrigan	.....	D7/396.2
D870,509 S	*	12/2019	Bo	.....	D7/392.1
D881,640 S	*	4/2020	Nichols	.....	D7/392.1
D886,518 S	*	6/2020	Li	.....	D7/392.1
D889,198 S	*	7/2020	Shepard	.....	D7/396.2
D889,199 S	*	7/2020	Shepard	.....	D7/396.2
D892,556 S	*	8/2020	Wang	.....	D7/510
D892,557 S	*	8/2020	Wang	.....	D7/510
D892,558 S	*	8/2020	Wang	.....	D7/510
D892,560 S	*	8/2020	Wang	.....	D7/511

(Continued)

**FOREIGN PATENT DOCUMENTS**

CN	305876165	*	6/2020
JP	D1593927	*	12/2017
RU	00109837	*	7/2018

*Primary Examiner* — Brett Miller  
*Assistant Examiner* — Rani J Abdallah

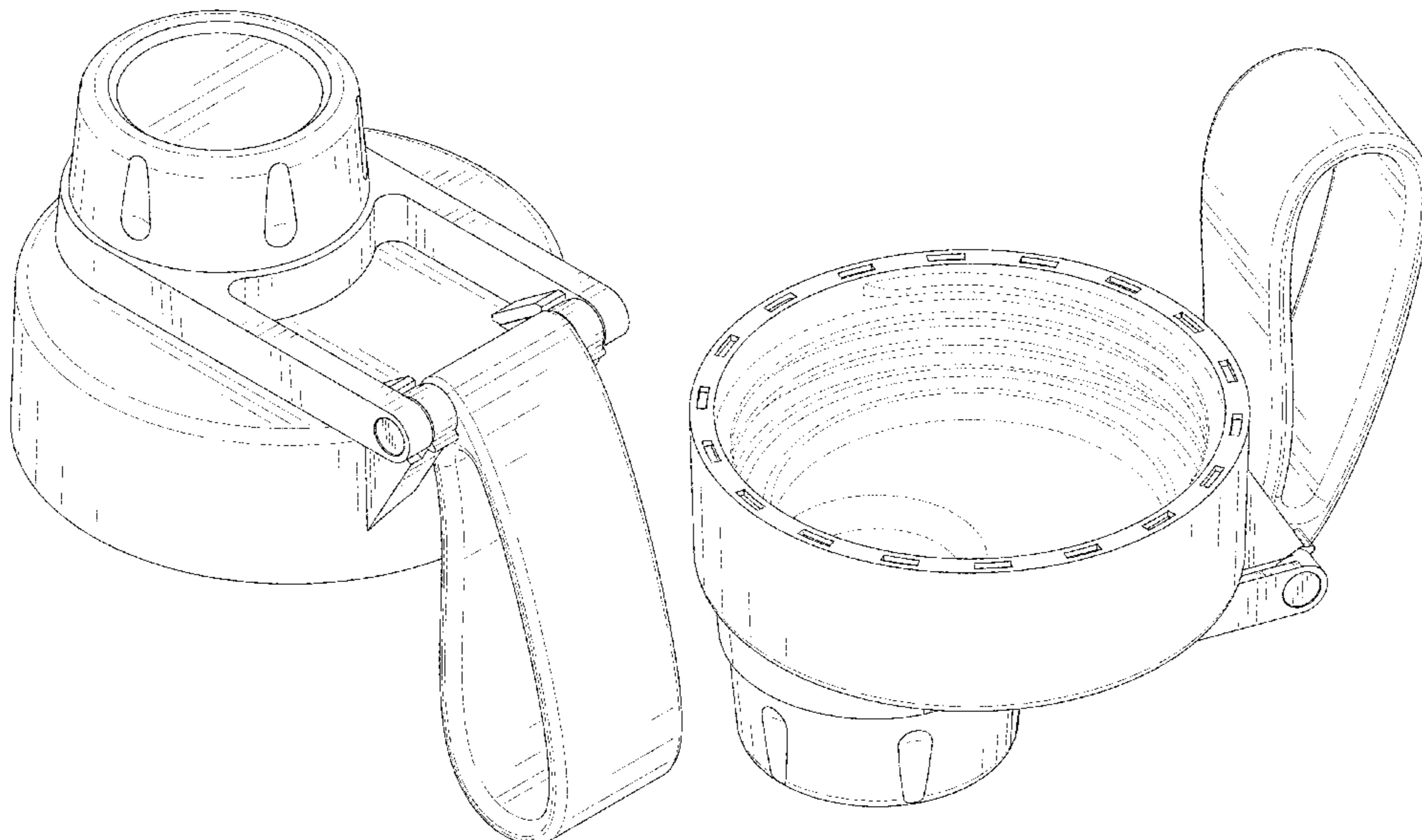
(57) **CLAIM**

The ornamental design for a bottle lid, as shown and described.

**DESCRIPTION**

FIG. 1 is a front and top perspective view of a bottle lid, showing my new design;  
FIG. 2 is a rear and bottom perspective view thereof;  
FIG. 3 is a front elevational view thereof;  
FIG. 4 is a rear elevational view thereof;  
FIG. 5 is a left side elevational view thereof;  
FIG. 6 is a right side elevational view thereof;  
FIG. 7 is a top plan view thereof; and,  
FIG. 8 is a bottom plan view thereof.  
The broken lines in the figures illustrate portions of the article that form no part of the claimed design.

**1 Claim, 8 Drawing Sheets**



(56)

**References Cited**

U.S. PATENT DOCUMENTS

D894,669 S \* 9/2020 Lane ..... D7/392  
D894,670 S \* 9/2020 Adams, Jr. .... D7/392.1  
D896,572 S \* 9/2020 Nichols ..... D7/392.1  
D903,404 S \* 12/2020 Bram ..... D7/392.1  
D912,518 S \* 3/2021 Peng ..... D7/511  
D913,034 S \* 3/2021 Cornelius ..... D7/392.1  
D913,036 S \* 3/2021 Steenari ..... D7/392.1  
D920,041 S \* 5/2021 Chen ..... D7/396.2  
10,994,901 B2 \* 5/2021 Cornelius ..... B65D 47/143  
D920,739 S \* 6/2021 Omdahl, II ..... D7/392.1  
D922,137 S \* 6/2021 Chen ..... D7/392.1  
D922,826 S \* 6/2021 Lin ..... D7/510  
D925,974 S \* 7/2021 Pearce ..... D7/392.1  
D928,557 S \* 8/2021 Spivey ..... D7/392.1  
D935,266 S \* 11/2021 Chen ..... D7/392.1  
D935,836 S \* 11/2021 Wang ..... D7/392.1  
2017/0107023 A1 \* 4/2017 Miksovsky ..... B65D 55/16  
2019/0135506 A1 \* 5/2019 Merrigan ..... B65D 41/04

\* cited by examiner

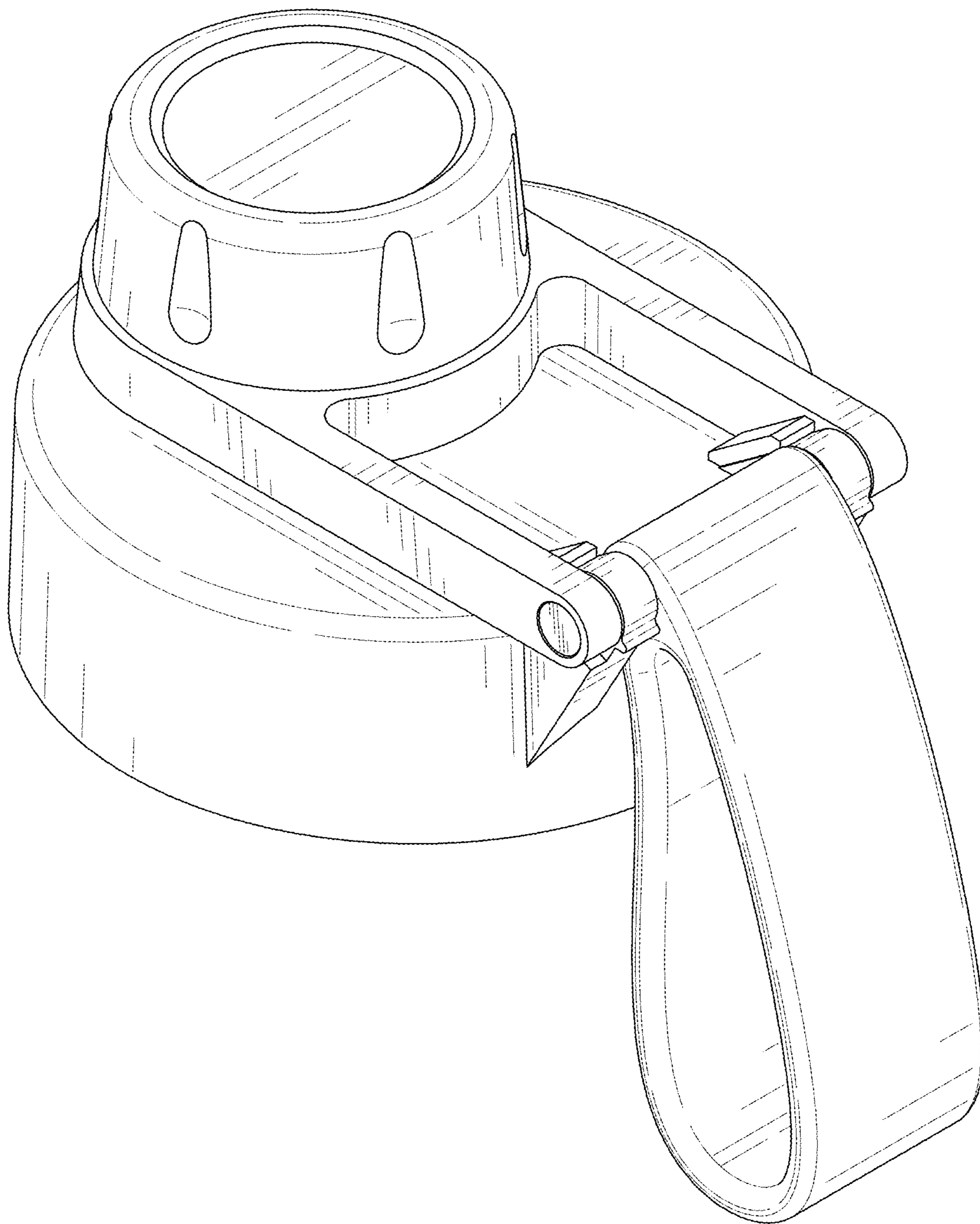


FIG. 1



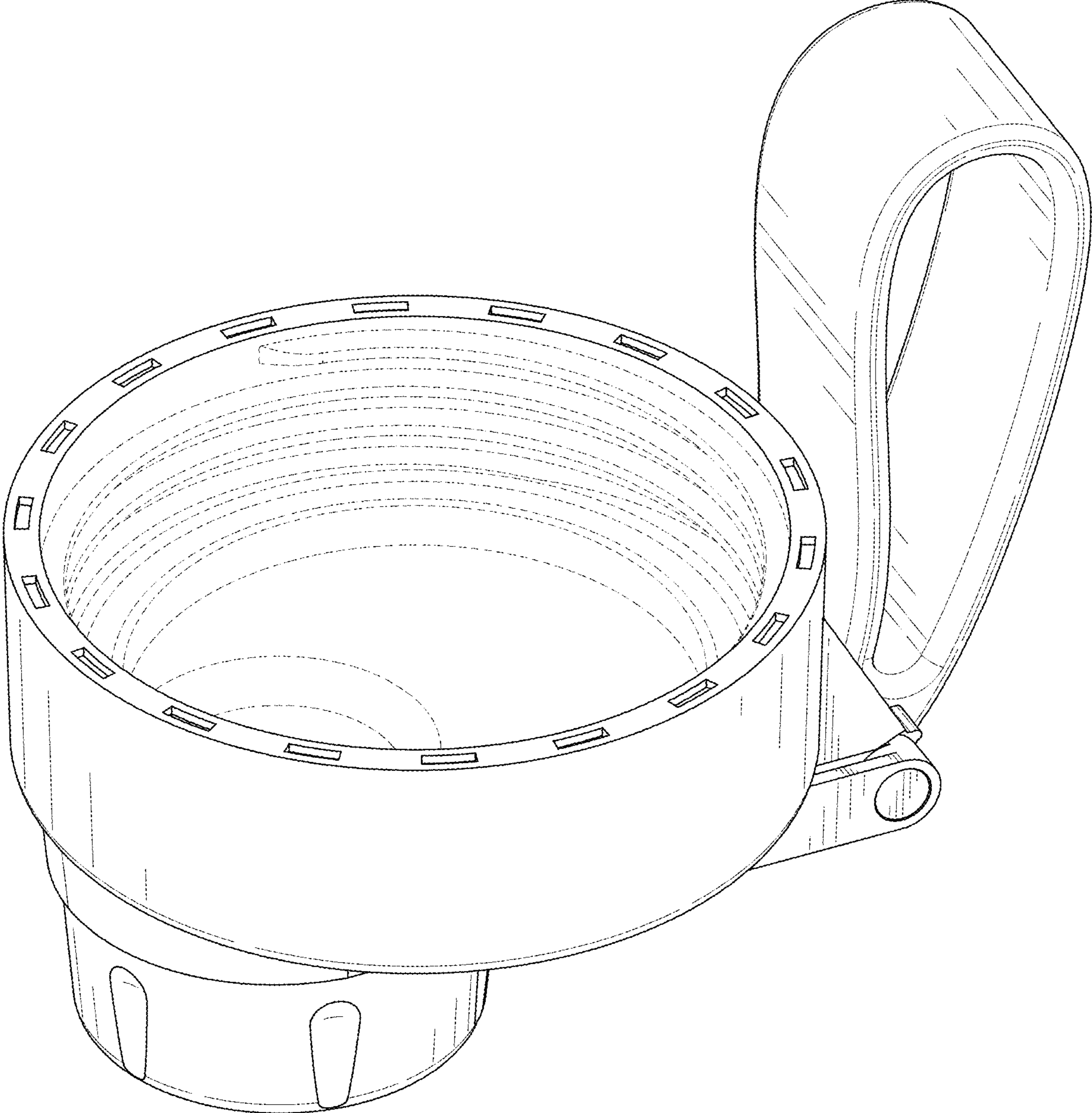


FIG. 2

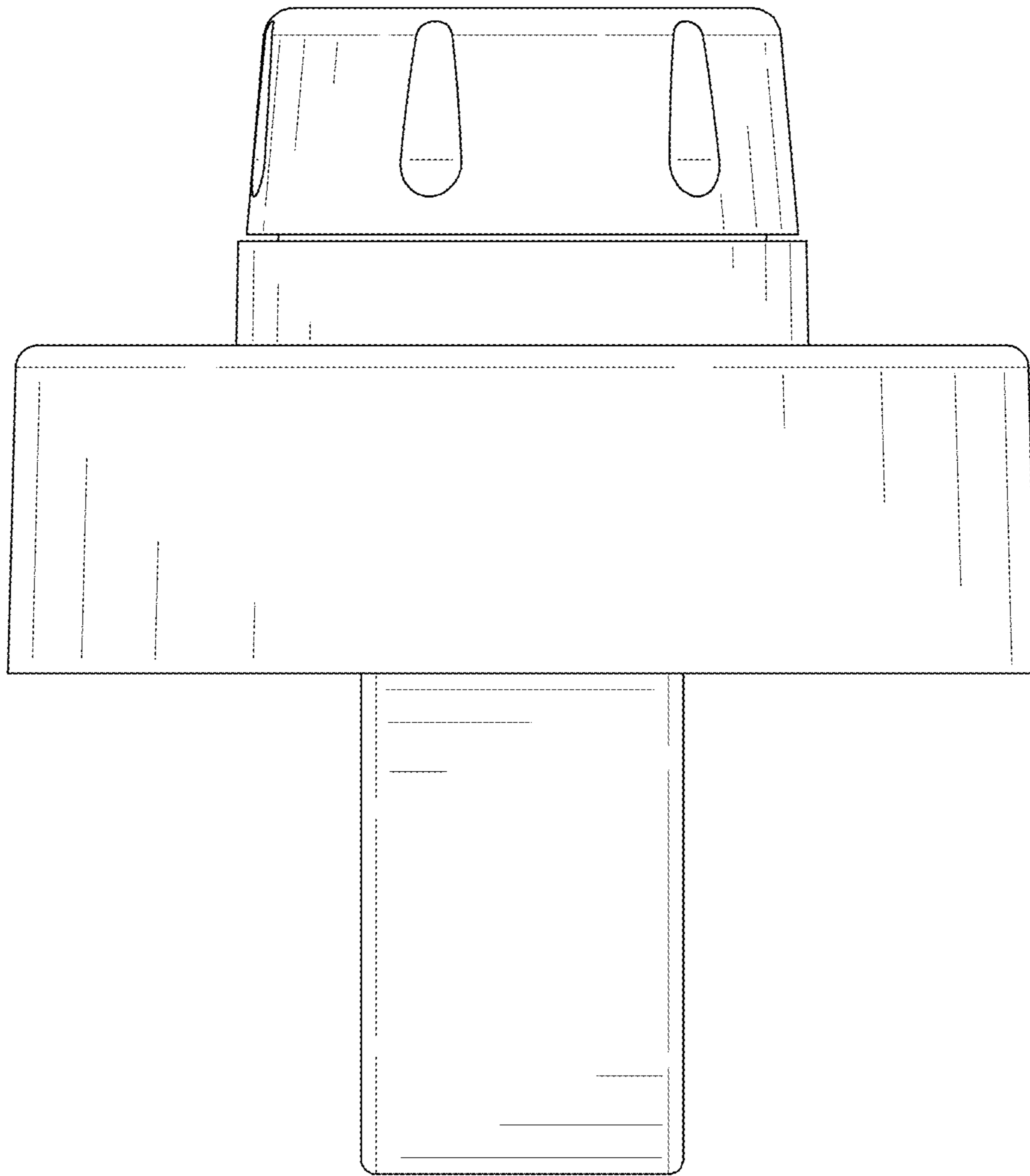


FIG. 3

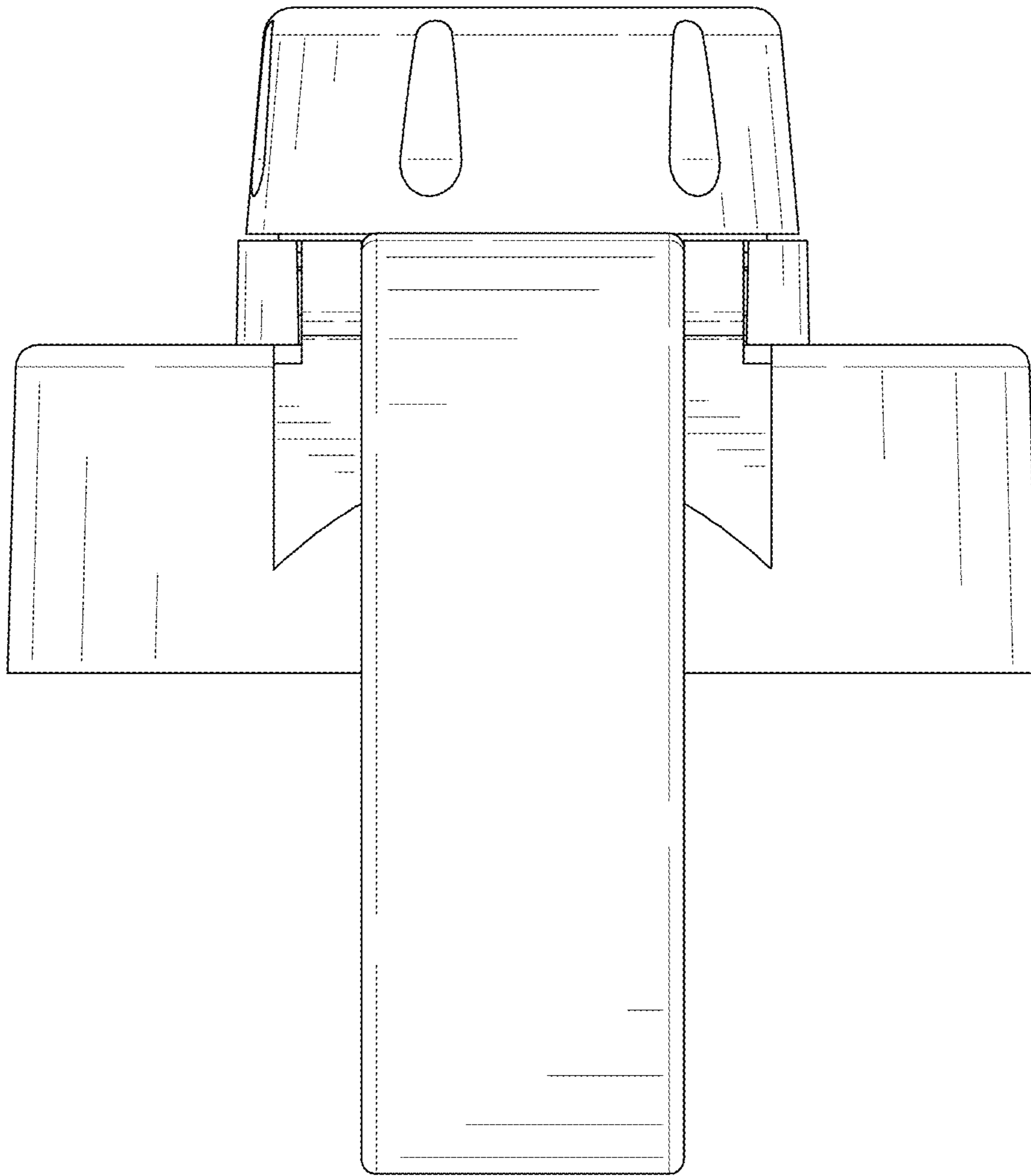


FIG. 4

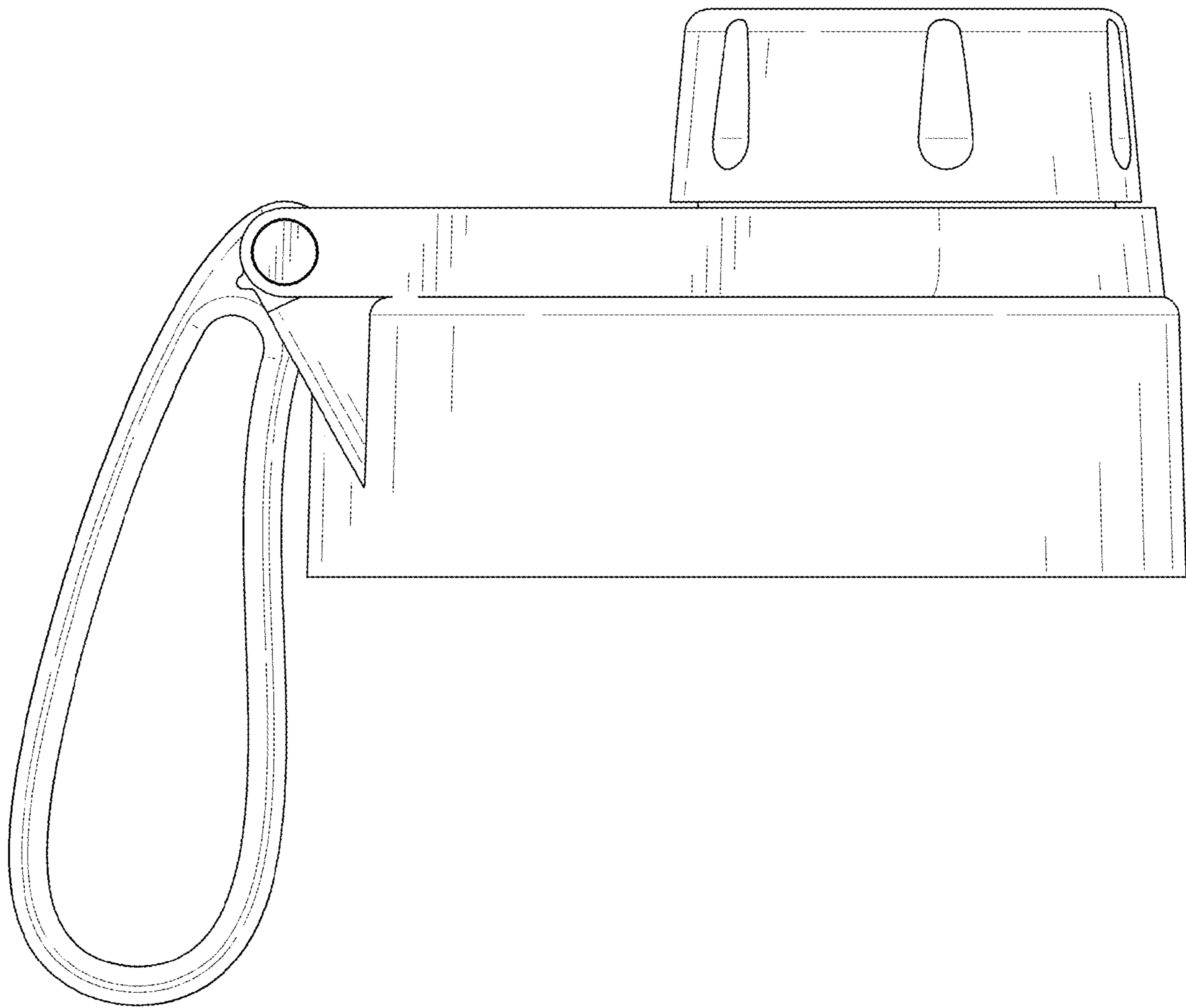


FIG. 5

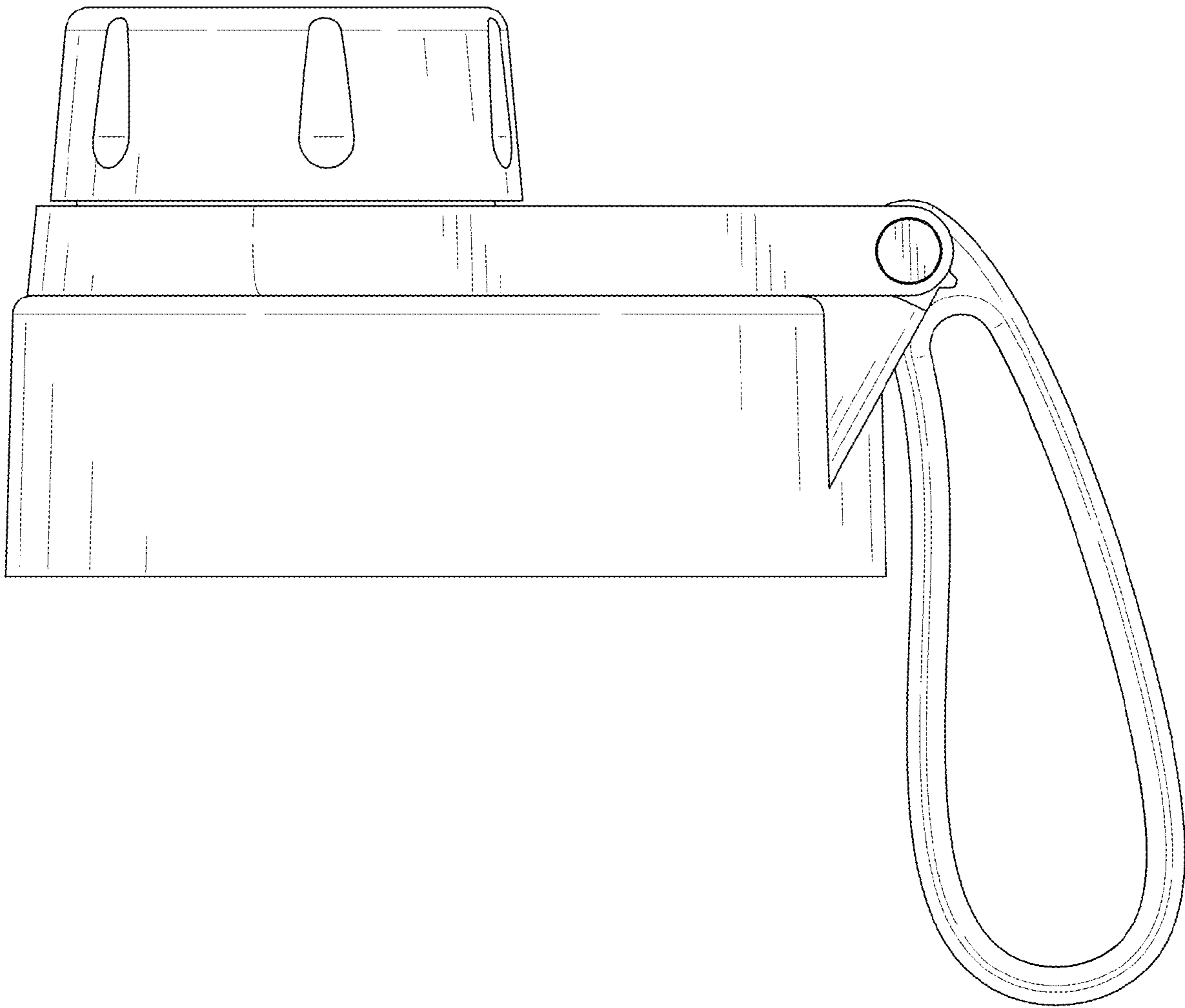


FIG. 6



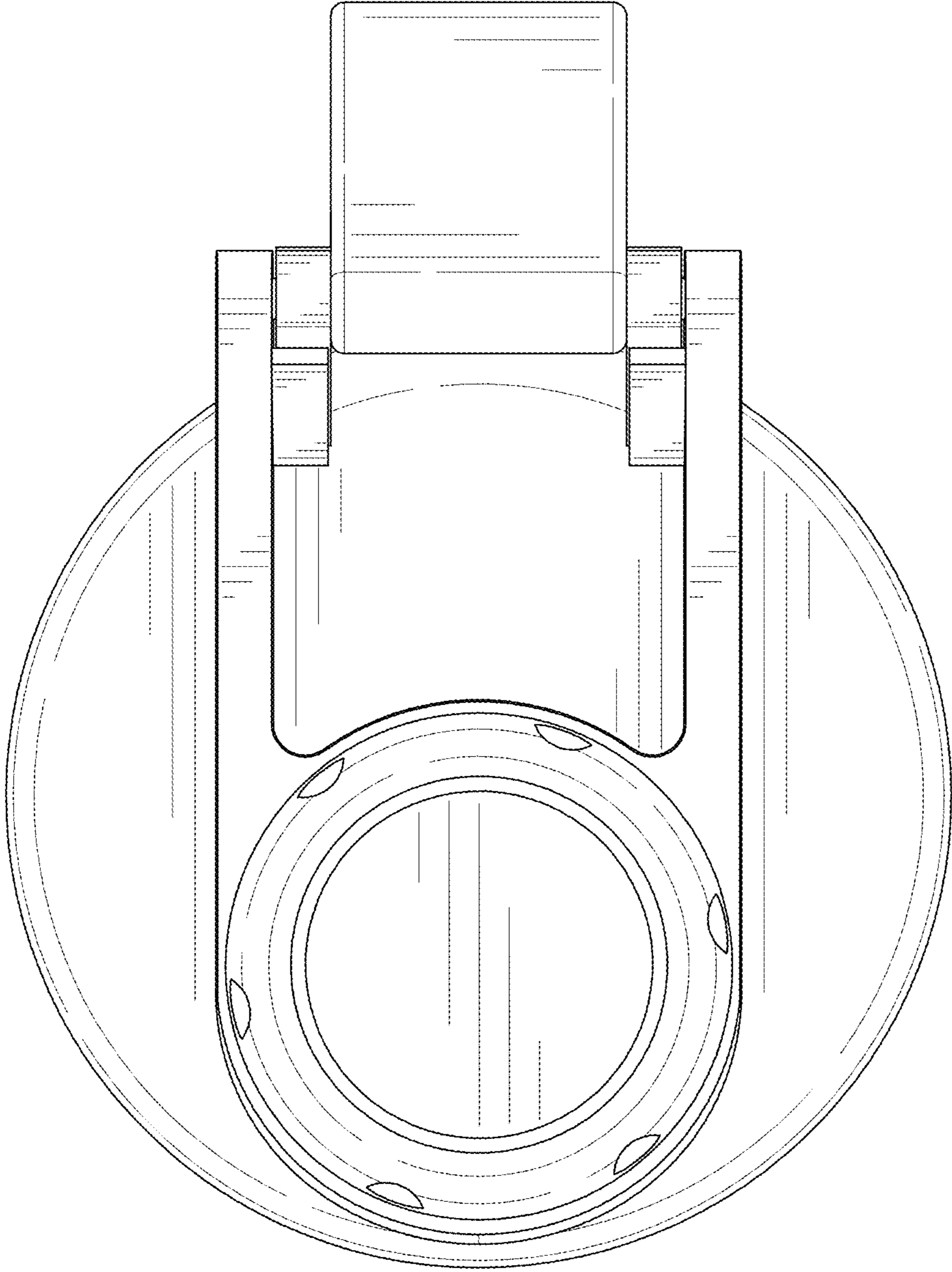


FIG. 7

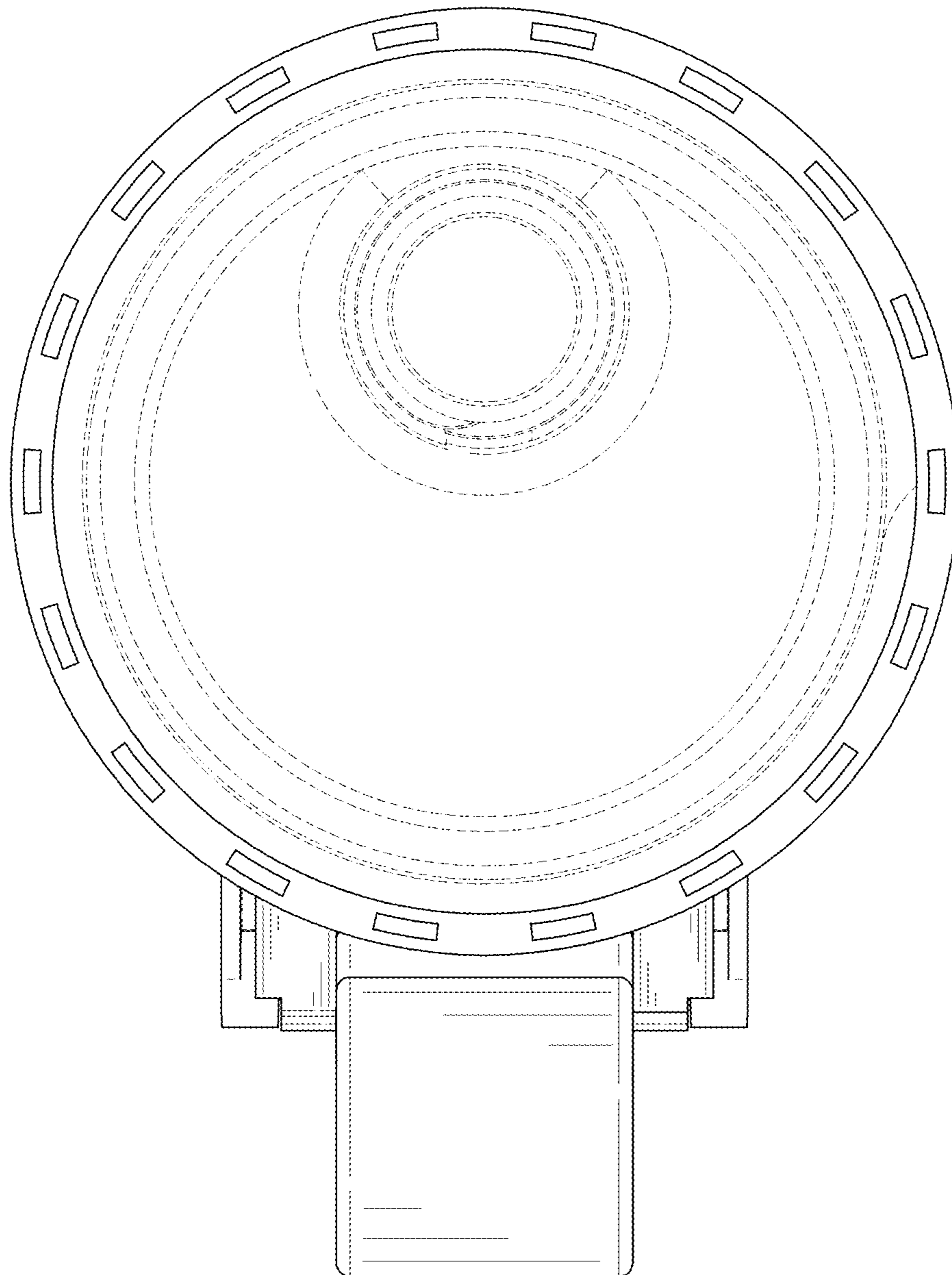


FIG. 8