



US00D944051S

(12) **United States Design Patent** (10) **Patent No.:** **US D944,051 S**
Benishai (45) **Date of Patent:** **** Feb. 22, 2022**

(54) **CONTAINER LID COMPONENT**
(71) Applicant: **Alon Benishai**, Brooklyn, NY (US)
(72) Inventor: **Alon Benishai**, Brooklyn, NY (US)
(**) Term: **15 Years**
(21) Appl. No.: **29/748,595**
(22) Filed: **Aug. 31, 2020**

Related U.S. Application Data

(62) Division of application No. 29/672,976, filed on Dec. 11, 2018, now Pat. No. Des. 897,759.
(51) **LOC (13) Cl.** **07-02**
(52) **U.S. Cl.**
USPC **D7/391**
(58) **Field of Classification Search**
USPC D3/203.3; D7/391, 392, 392.1, 393, 397,
D7/629; D9/414, 424-432, 435,
D9/451-452; D10/40
CPC A47J 36/027; A47J 36/06; A47J 37/10;
A47J 37/101; B65D 21/0209; B65D
43/00; B65D 43/02; B65D 43/022; B65D
43/161; B65D 43/162; B65D 45/00;
B65D 45/16; B65D 45/18; B65D 45/30;
B65D 51/16; B65D 51/1683; B65D
51/1688; B65D 51/1694; B65F 1/1615
See application file for complete search history.

(56) **References Cited**

U.S. PATENT DOCUMENTS

D457,819 S * 5/2002 Noble D10/40
D487,342 S 3/2004 Yewdall et al.
D500,227 S * 12/2004 Seok D7/392.1
D521,812 S 5/2006 Kim
D619,351 S * 7/2010 Verma D3/203.3
D646,127 S 10/2011 Lindsay et al.
D675,057 S 1/2013 Harvey et al.
D677,116 S 3/2013 Smyers et al.

D696,008 S * 12/2013 Priebe D3/203.3
D698,141 S * 1/2014 Priebe D3/203.3
D704,503 S * 5/2014 Manley D7/391
8,733,550 B2 5/2014 Harvey et al.
D733,503 S 7/2015 Bagley
D746,101 S 12/2015 Manley
D754,538 S 4/2016 Roesler
D761,009 S * 7/2016 Jewell D3/203.3
D825,284 S 8/2018 Morales
D828,754 S 9/2018 Liu
10,105,014 B2 10/2018 Bagley
D896,569 S * 9/2020 Jacobs D7/391
D897,759 S * 10/2020 Benishai D7/391
2005/0006390 A1 * 1/2005 Wang B65D 45/30
220/326

(Continued)

OTHER PUBLICATIONS

AUVON iMedassist Weekly Pill Organizer. Date First Available on Amazon.com Nov. 8, 2017. [https://www.amazon.com/AUVON-iMedassist-Compartments-Supplements-Medication/dp/B07794YMY7/ref \(Year: 2017\).*](https://www.amazon.com/AUVON-iMedassist-Compartments-Supplements-Medication/dp/B07794YMY7/ref (Year: 2017).*)

Primary Examiner — Ricky Pham
(74) *Attorney, Agent, or Firm* — Wood Herron & Evans LLP

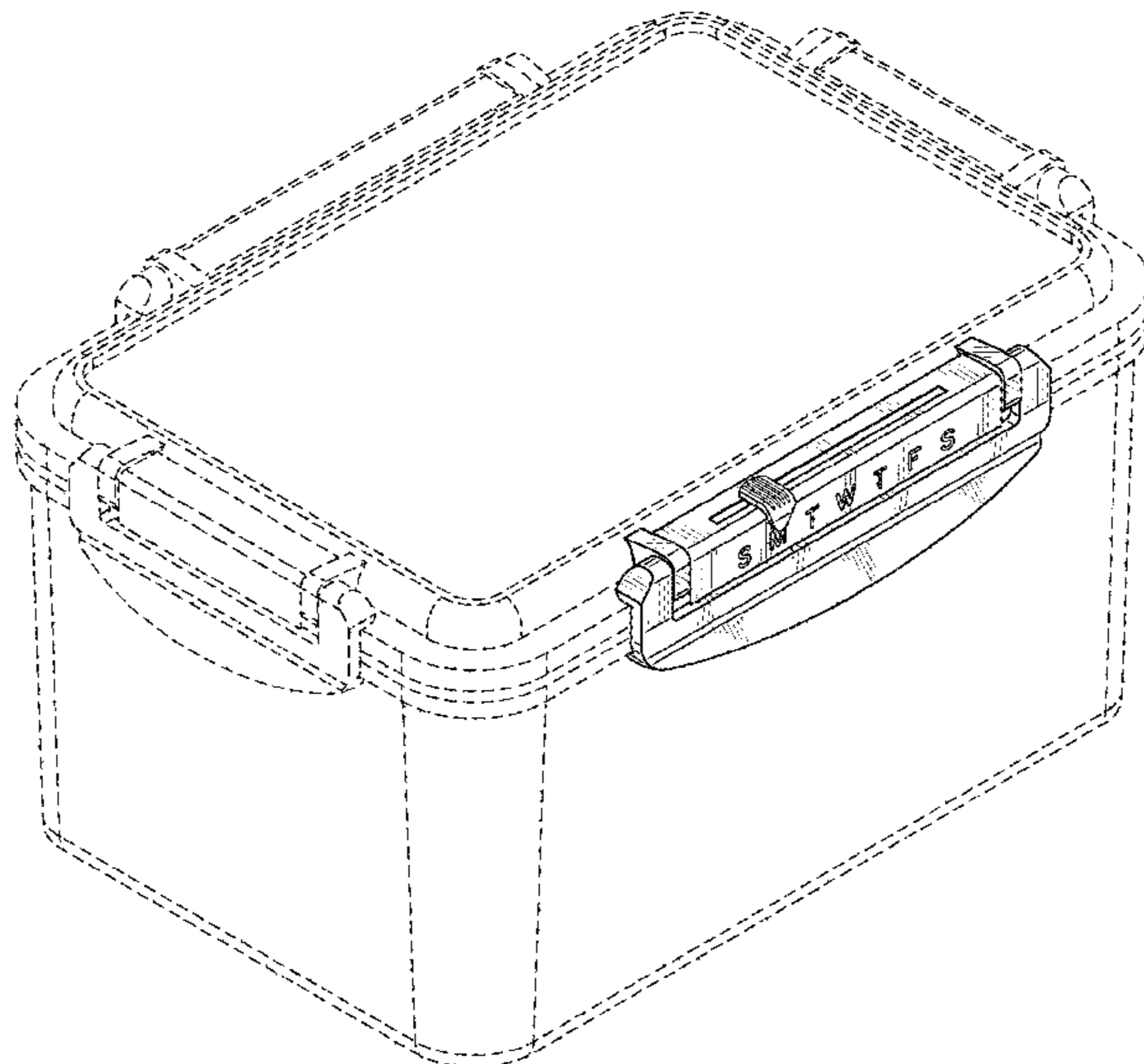
(57) **CLAIM**

The ornamental design for a container lid component, as shown and described.

DESCRIPTION

FIG. 1 is a front left perspective view of an alternative embodiment of the container lid component according to the present invention;
FIG. 2 is a front view thereof; and,
FIG. 3 is a top view thereof.
The dash lines are shown to illustrate environmental aspects of the invention and these portions form no part of the claimed invention.

1 Claim, 3 Drawing Sheets



(56)

References Cited

U.S. PATENT DOCUMENTS

2014/0103033 A1 4/2014 Beckman

* cited by examiner

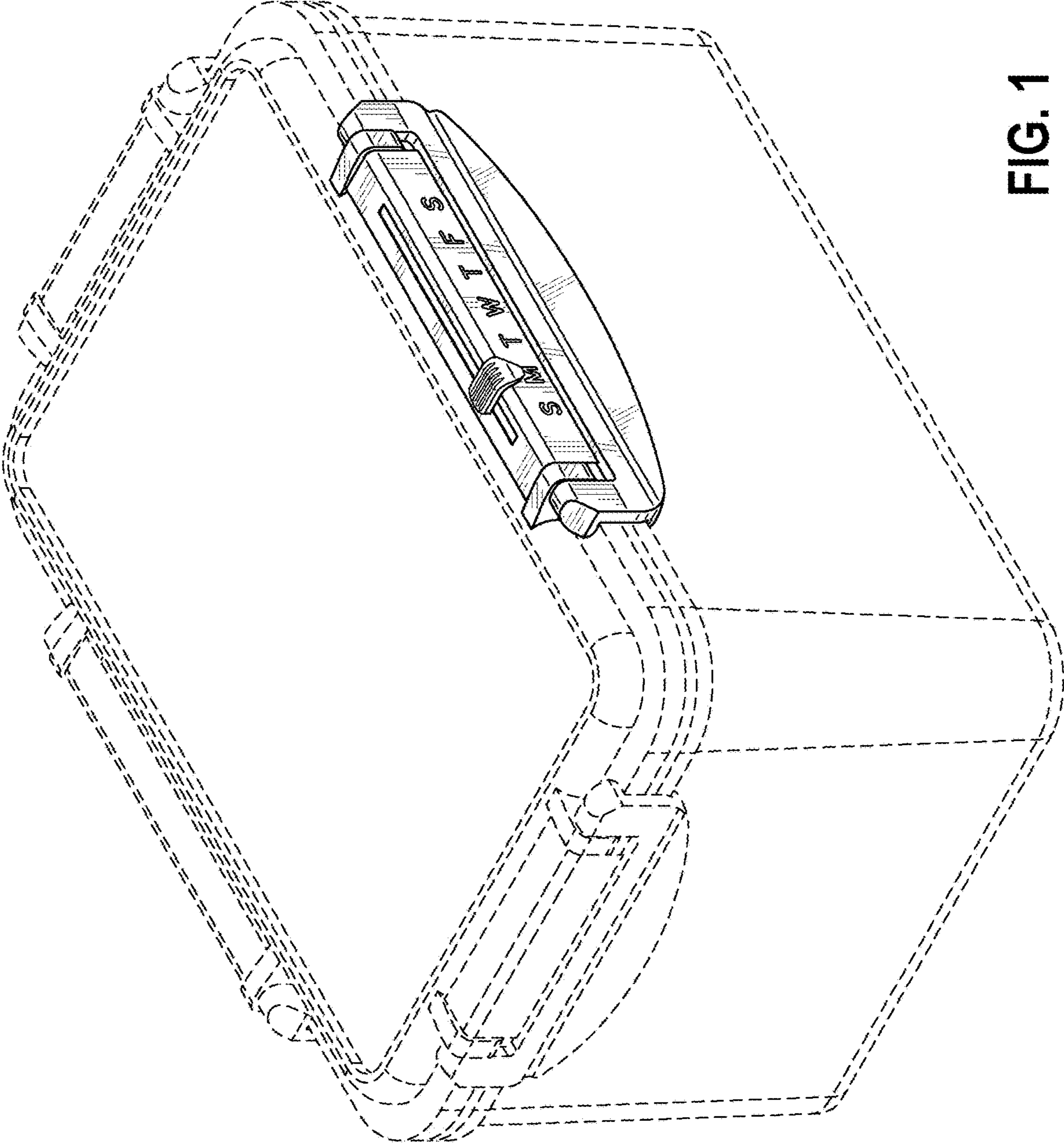


FIG. 1

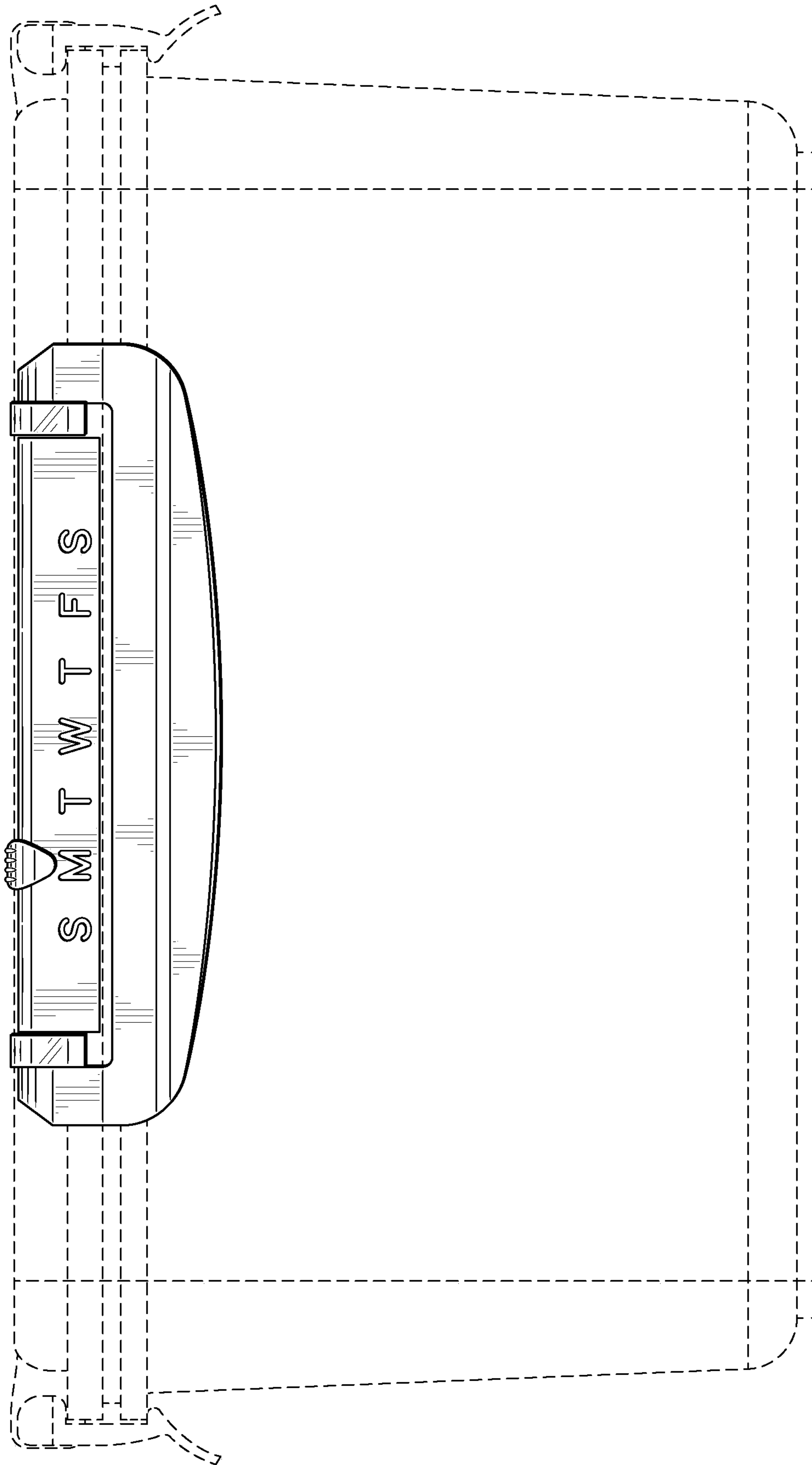


FIG. 2

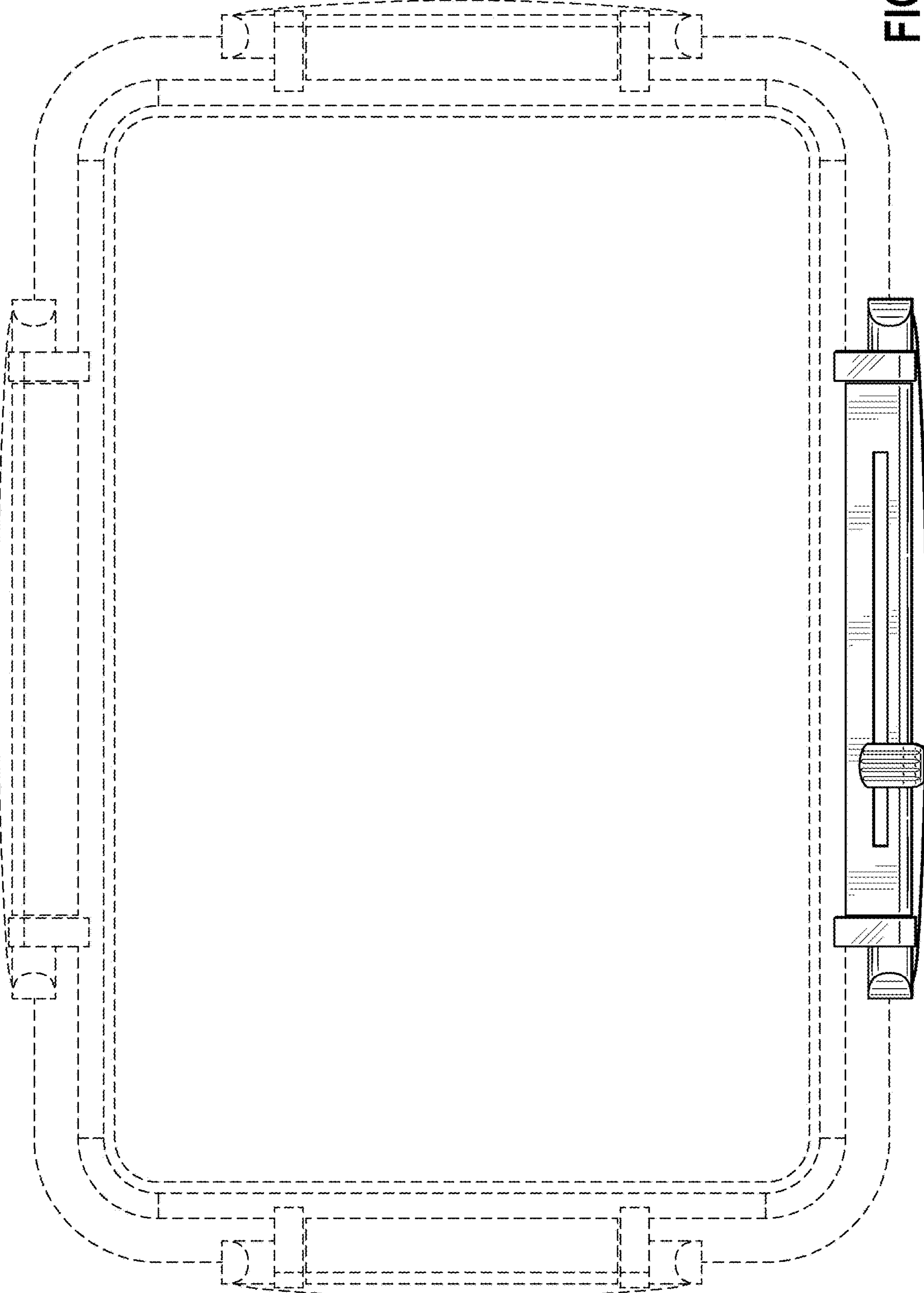


FIG. 3