

US00D944050S

(12) **United States Design Patent**  
**Cherbonnier**

(10) **Patent No.:** **US D944,050 S**

(45) **Date of Patent:** **\*\* Feb. 22, 2022**

- (54) **ELECTRIC VEGETABLE SLICER**
- (71) Applicant: **SOCIETE D'ETUDES ET DE REALISATION MECANIQUES, Mortagne sur Sevre (FR)**
- (72) Inventor: **Pascal Cherbonnier, Mortagne sur Sevre (FR)**
- (\*\*) Term: **15 Years**
- (21) Appl. No.: **35/509,423**
- (22) Filed: **Oct. 8, 2019**
- (80) **Hague Agreement Data**  
 Int. Filing Date: **Oct. 8, 2019**  
 Int. Reg. No.: **DM/208122**  
 Int. Reg. Date: **Oct. 8, 2019**  
 Int. Reg. Pub. Date: **May 22, 2020**
- (51) **LOC (13) Cl.** ..... **31-00**
- (52) **U.S. Cl.**  
USPC ..... **D7/381**
- (58) **Field of Classification Search**  
USPC ..... D7/300, 309, 332, 337, 368, 372, 376, D7/381, 383, 384, 509, 510, 526, 543, D7/590, 600, 600.1, 600.2, 600.3, 665, D7/671, 673, 678, 679, 680, 683, 688, D7/693, 695, 696  
See application file for complete search history.

D526,540 S *	8/2006	Cohen	.....	D7/665
D530,995 S *	10/2006	Jalet	.....	D7/693
D674,235 S *	1/2013	Lee	.....	D7/386
D692,269 S *	10/2013	Mulgrew	.....	A47J 19/00
				D7/368
D716,614 S *	11/2014	Grossman	.....	D7/665
D720,189 S *	12/2014	Lee	.....	D7/665
D727,088 S *	4/2015	Chen	.....	D7/374
D747,916 S *	1/2016	Wong	.....	D7/381
D787,896 S *	5/2017	Ye	.....	D7/665
D795,636 S *	8/2017	Chen	.....	D7/384
D820,633 S *	6/2018	Chen	.....	D7/384
D838,145 S *	1/2019	De La Coussaye	.....	D7/673
D896,023 S *	9/2020	Ye	.....	D7/384
D911,124 S *	2/2021	Cherbonnier	.....	A47J 19/027
				D7/665
2003/0061944 A1 *	4/2003	Fouquet	.....	A47J 19/027
				99/511
2006/0086261 A1 *	4/2006	Cohen	.....	A47J 19/027
				99/511
2016/0000136 A1 *	1/2016	Carley	.....	A47J 19/00
				99/513

\* cited by examiner

Primary Examiner — Karen S Acker

(57) **CLAIM**

The ornamental design for electric vegetable slicer, as shown and described.

**DESCRIPTION**

1. Electric vegetable slicer

1.1 : Perspective

1.2 : Front

1.3: Right

1.4 : Left

1.5: Back

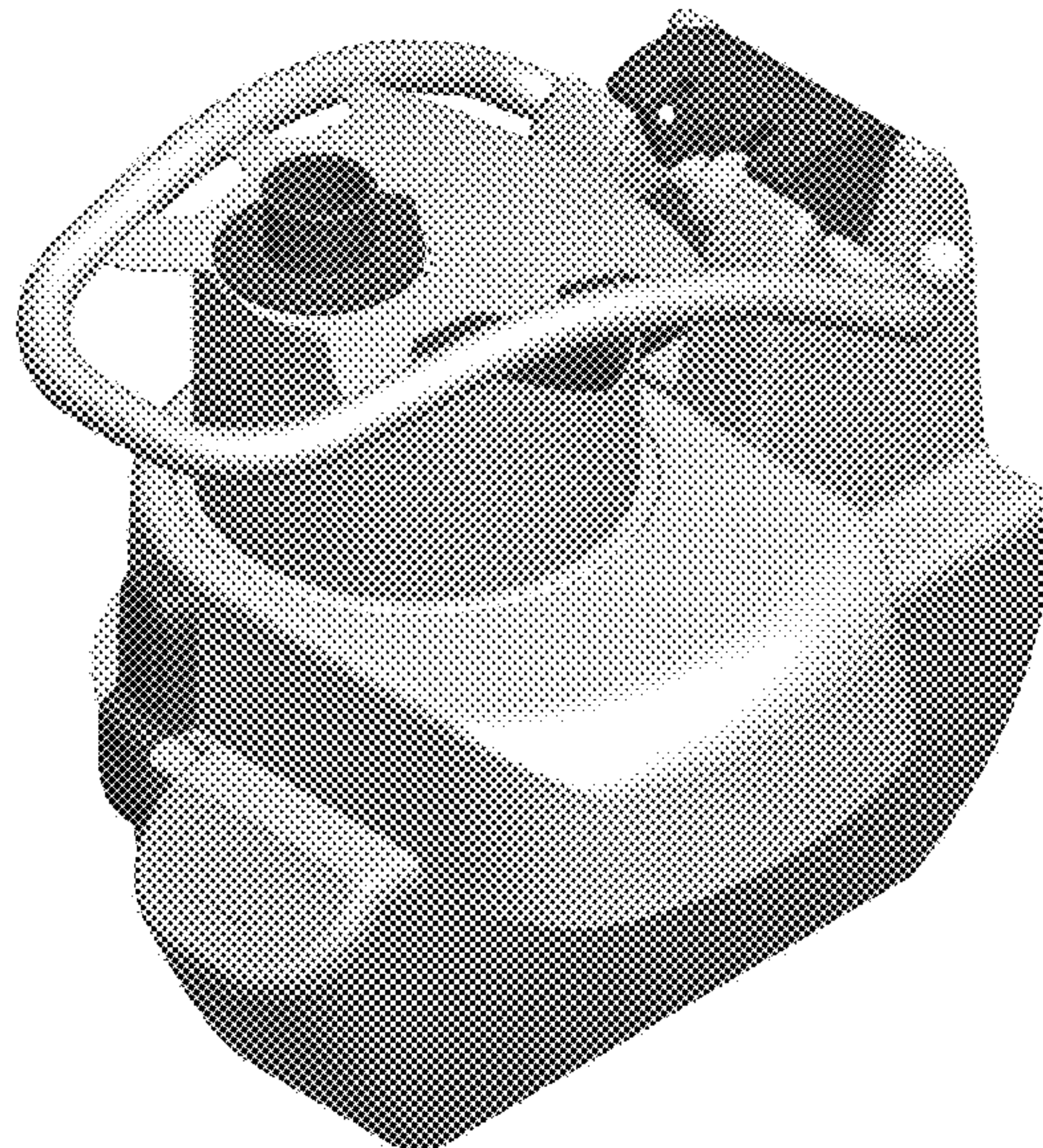
1.6: Top

1.7: Bottom

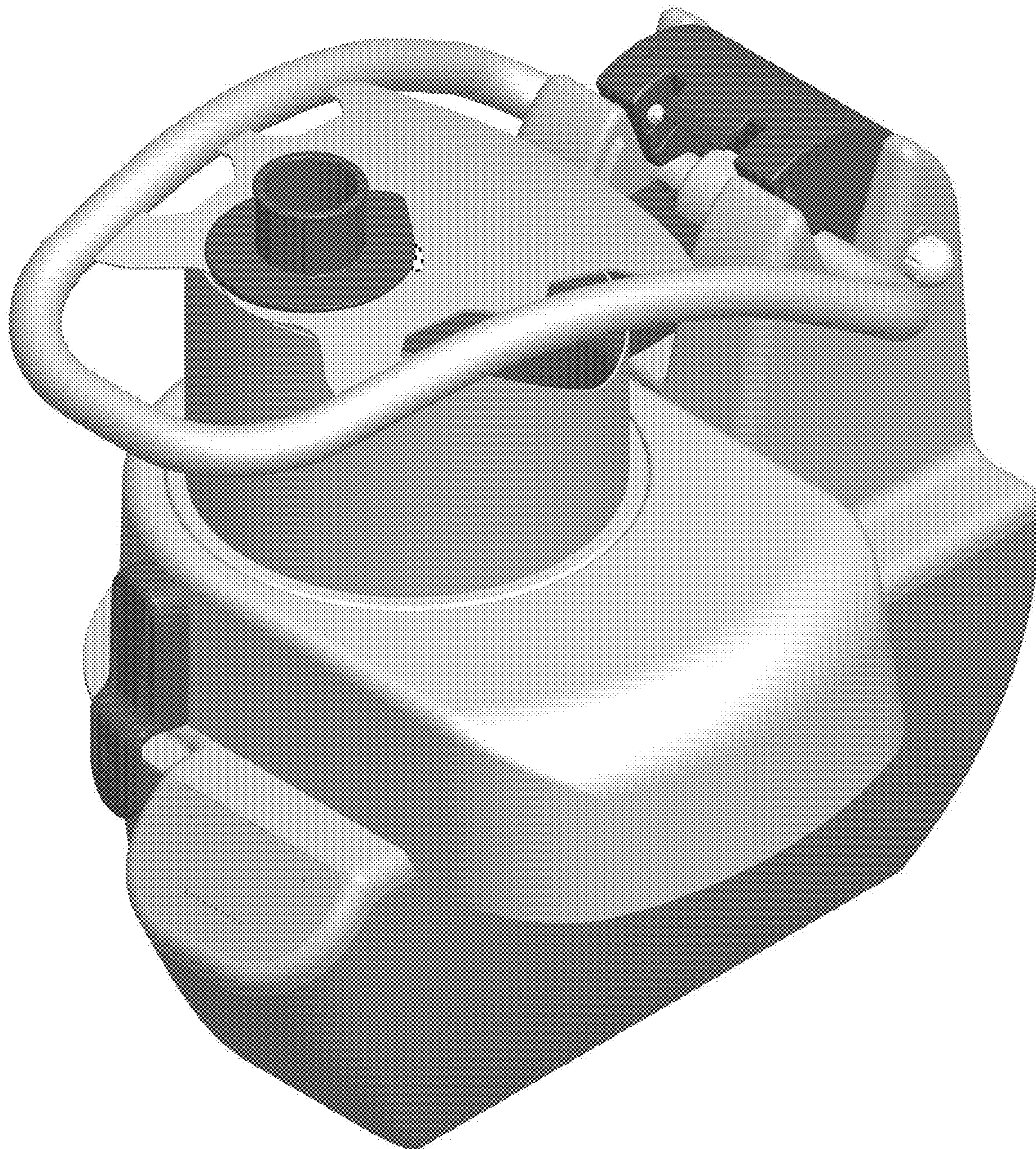
The broken lines illustrate portions of the electric vegetable slicer that form no part of the claimed design.

**1 Claim, 7 Drawing Sheets**

- (56) **References Cited**  
U.S. PATENT DOCUMENTS
- D118,271 S \* 12/1939 Van Doren et al. .... D7/368
- D159,469 S \* 8/1950 Bennett ..... D7/665
- D243,818 S \* 3/1977 Bottcher ..... D7/372
- D364,312 S \* 11/1995 Lai ..... D7/376
- D455,042 S \* 4/2002 Sundquist ..... D7/381
- D501,370 S \* 2/2005 Hensel ..... D7/665
- D502,048 S \* 2/2005 Lin ..... D7/384

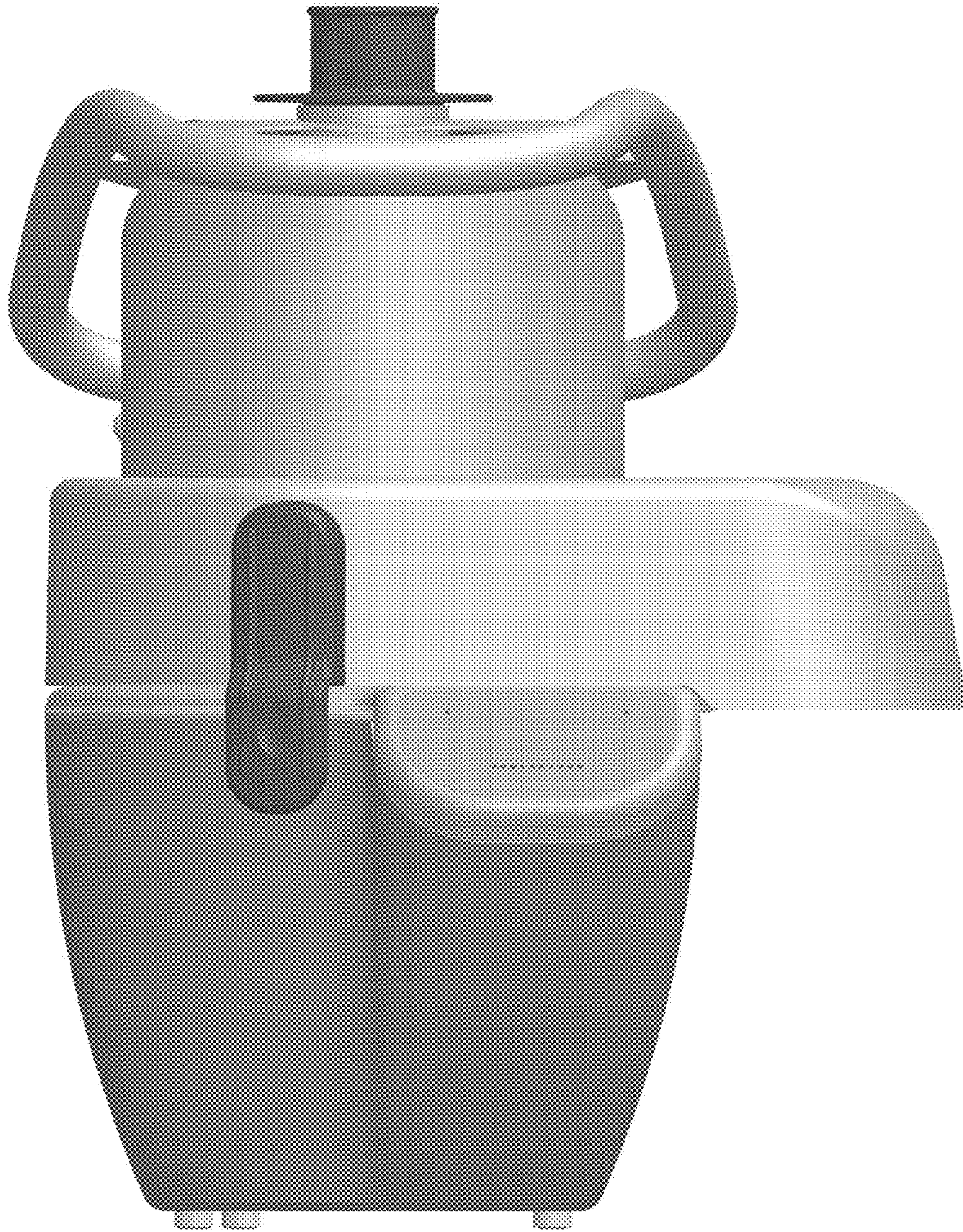






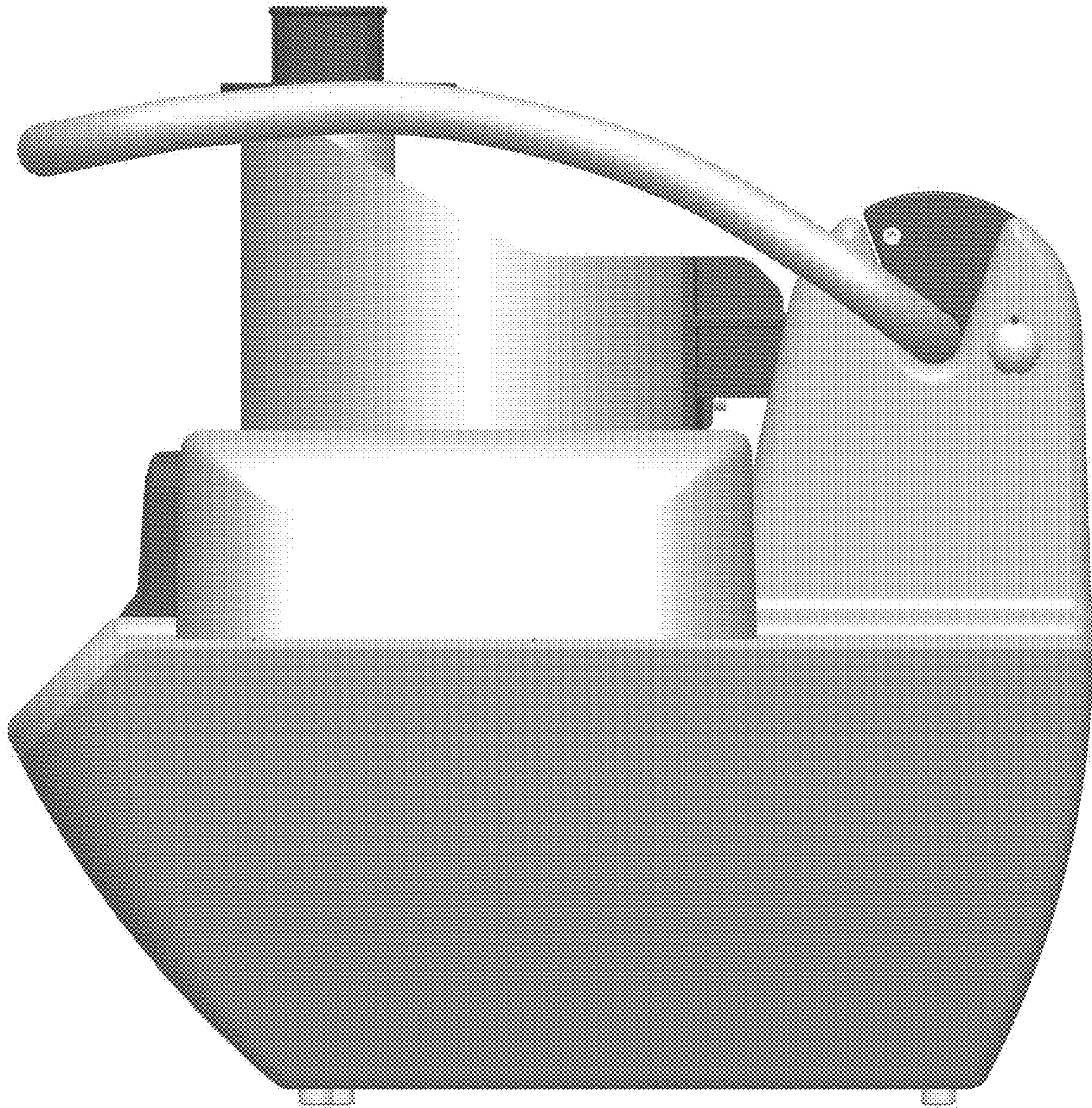
**FIG. 1.1**





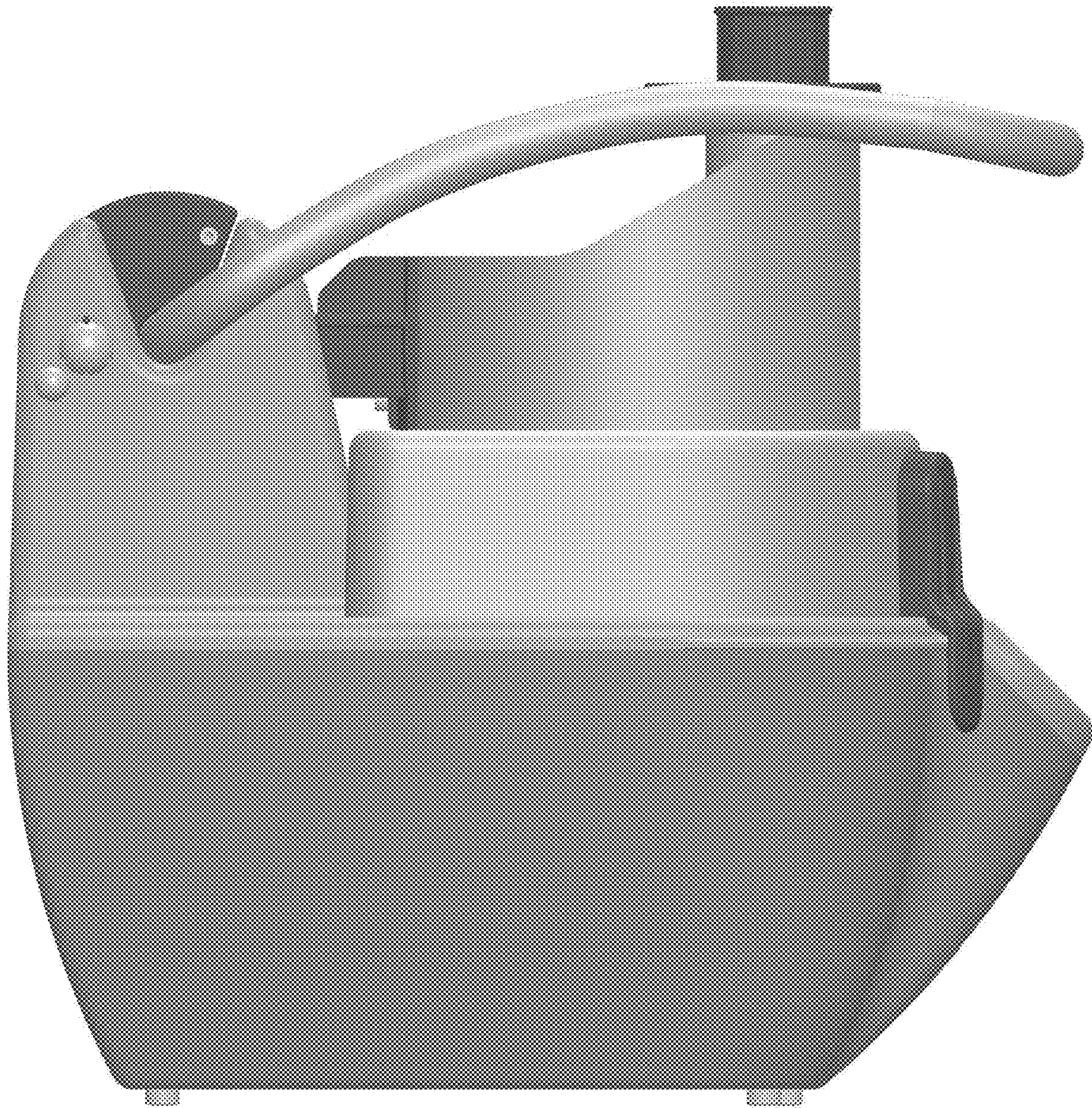
**FIG. 1.2**





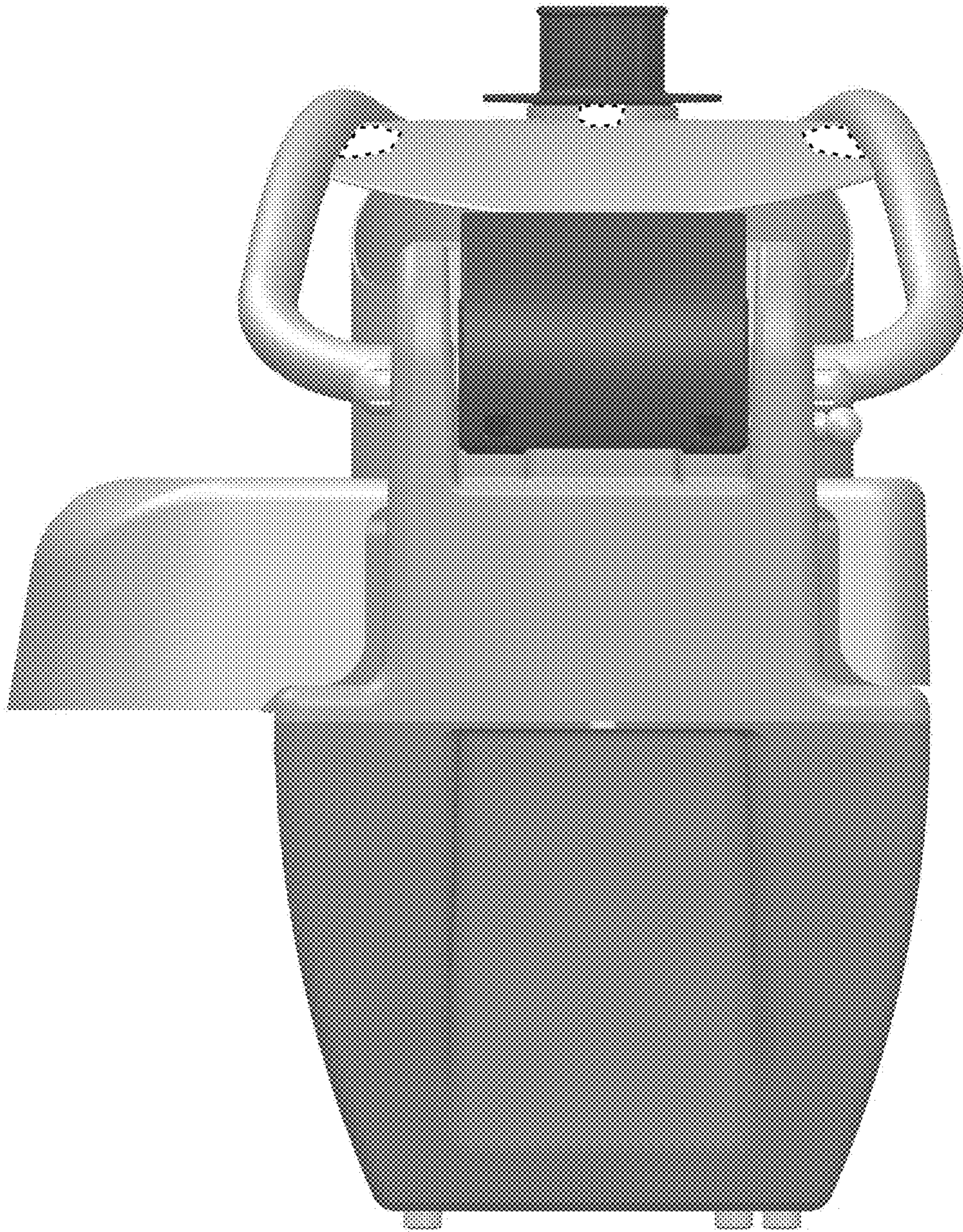
**FIG. 1.3**





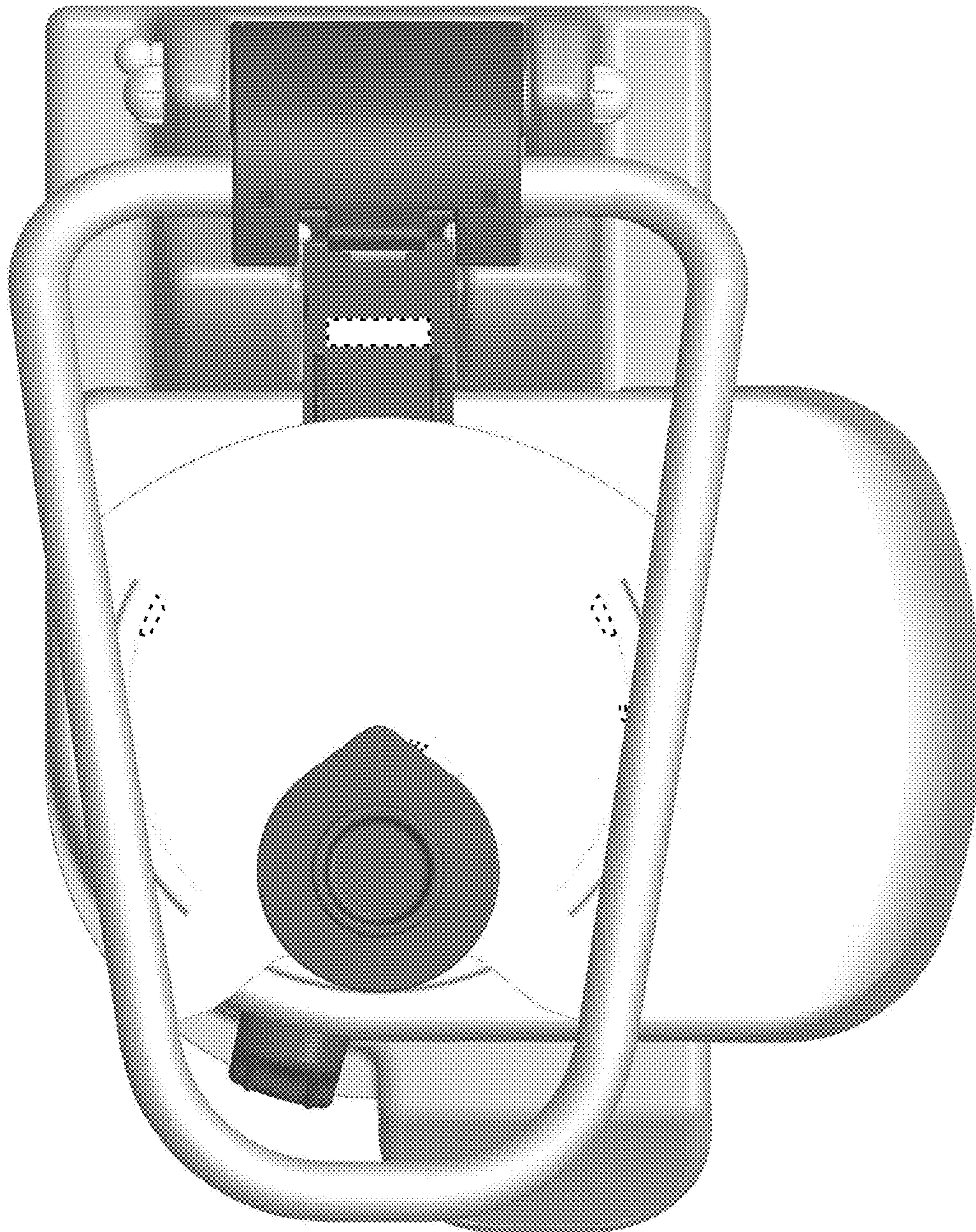
**FIG. 1.4**





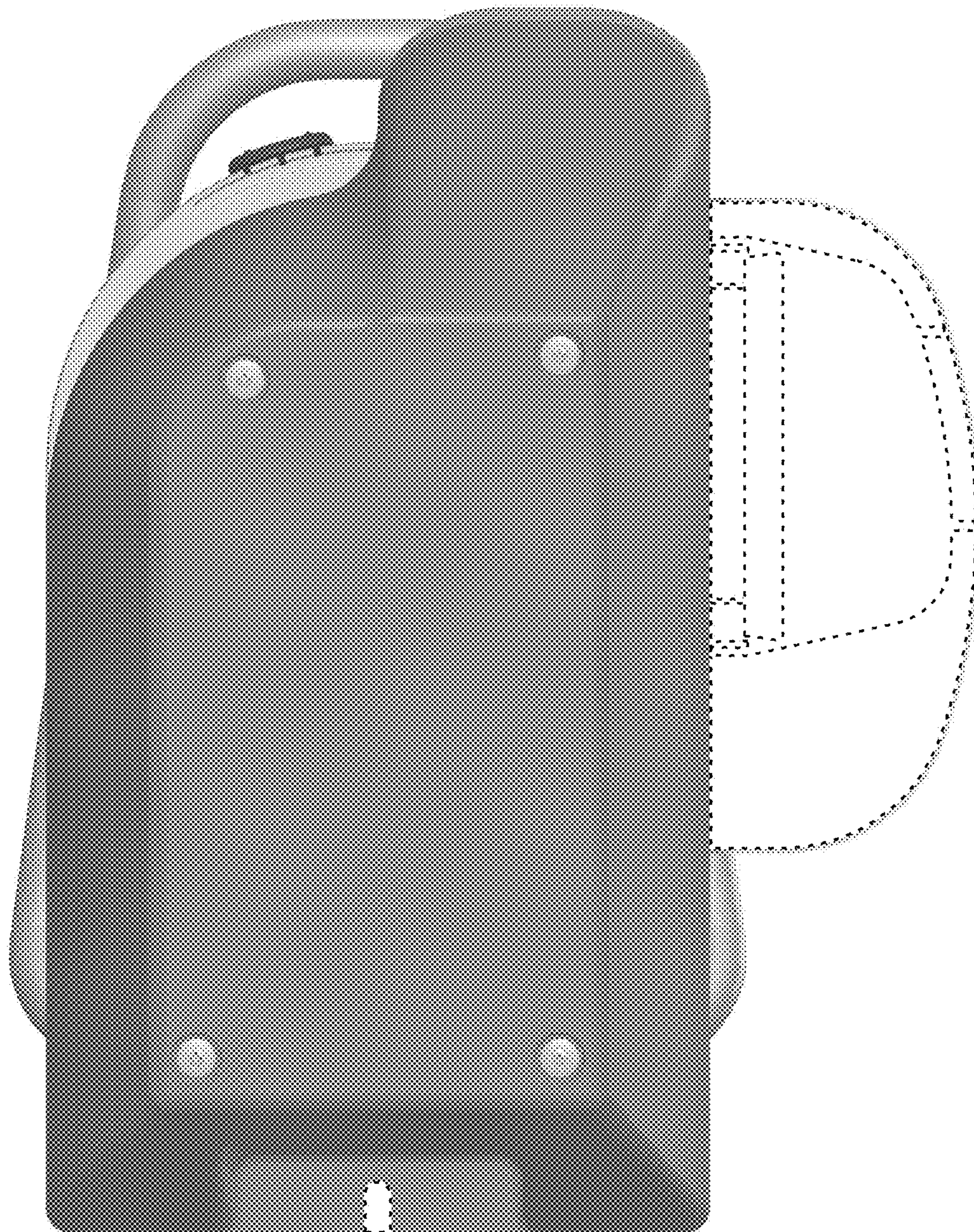
**FIG. 1.5**





**FIG. 1.6**





**FIG. 1.7**