



US00D944049S

(12) **United States Design Patent**  
**Ernotte**

(10) **Patent No.:** **US D944,049 S**  
(45) **Date of Patent:** **\*\* Feb. 22, 2022**

(54) **GRILL**  
(71) Applicant: **BABYLISS FACO SRL**, Wandre (BE)  
(72) Inventor: **Aubry Ernotte**, Theux (BE)  
(73) Assignee: **BABYLISS FACO SRL**, Wandre (BE)  
(\*\*) Term: **15 Years**  
(21) Appl. No.: **35/510,054**  
(22) Filed: **Jul. 14, 2020**  
(80) **Hague Agreement Data**  
Int. Filing Date: **Jul. 14, 2020**  
Int. Reg. No.: **DM/209645**  
Int. Reg. Date: **Jul. 14, 2020**  
Int. Reg. Pub. Date: **Aug. 14, 2020**

(30) **Foreign Application Priority Data**  
Jan. 16, 2020 (EM) ..... 007518527-0001  
(51) **LOC (13) Cl.** ..... **07-02**  
(52) **U.S. Cl.**  
USPC ..... **D7/362**  
(58) **Field of Classification Search**  
USPC ..... D7/300.1, 318, 319, 348, 350.1, 354,  
D7/362, 402, 509, 510, 511, 533, 604,  
D7/609, 611, 615, 649, 652, 653, 664,  
D7/671, 672, 674, 683, 691, 698, 701,  
D7/703, 708  
CPC . A21B 2/00; A47J 43/27; A47G 19/22; H05B  
6/64  
See application file for complete search history.

(56) **References Cited**  
U.S. PATENT DOCUMENTS  
2,156,214 A \* 4/1939 Woodman ..... A47J 37/015  
126/275 R  
2,466,349 A \* 4/1949 Anderson ..... F24C 15/32  
99/340

2,694,999 A \* 11/1954 Sullivan ..... H05B 1/0213  
116/298  
D414,982 S \* 10/1999 Hopkins ..... D7/362  
7,109,442 B2 \* 9/2006 Steinberg ..... A47J 37/0611  
219/386  
D541,581 S \* 5/2007 Moore ..... D7/352  
D546,619 S \* 7/2007 McHutchison ..... D7/352  
D622,538 S \* 8/2010 Hoare ..... D7/352  
D632,127 S \* 2/2011 Whitcombe ..... D7/352  
D644,477 S \* 9/2011 Burton ..... H05B 6/763  
D7/362  
8,156,860 B2 \* 4/2012 Liu ..... A47J 37/0611  
99/372  
D679,129 S \* 4/2013 Cesaroni ..... D7/352  
D689,728 S \* 9/2013 Steiner ..... D7/352  
D714,092 S \* 9/2014 Verbrugge ..... D7/352  
D715,086 S \* 10/2014 Piret ..... D7/352

(Continued)

**OTHER PUBLICATIONS**

Griddler, Mar. 20, 2019, found on Oct. 29, 2021 at <https://www.homedepot.com/p/Cuisinart-Griddler-102-sq-in-Brushed-Stainless-Steel-Indoor-Grill-with-Removable-Cooking-Plates-GR-4NP1/314321169#ratings-and-reviews> (Year: 2019).\*

*Primary Examiner* — Karen S Acker

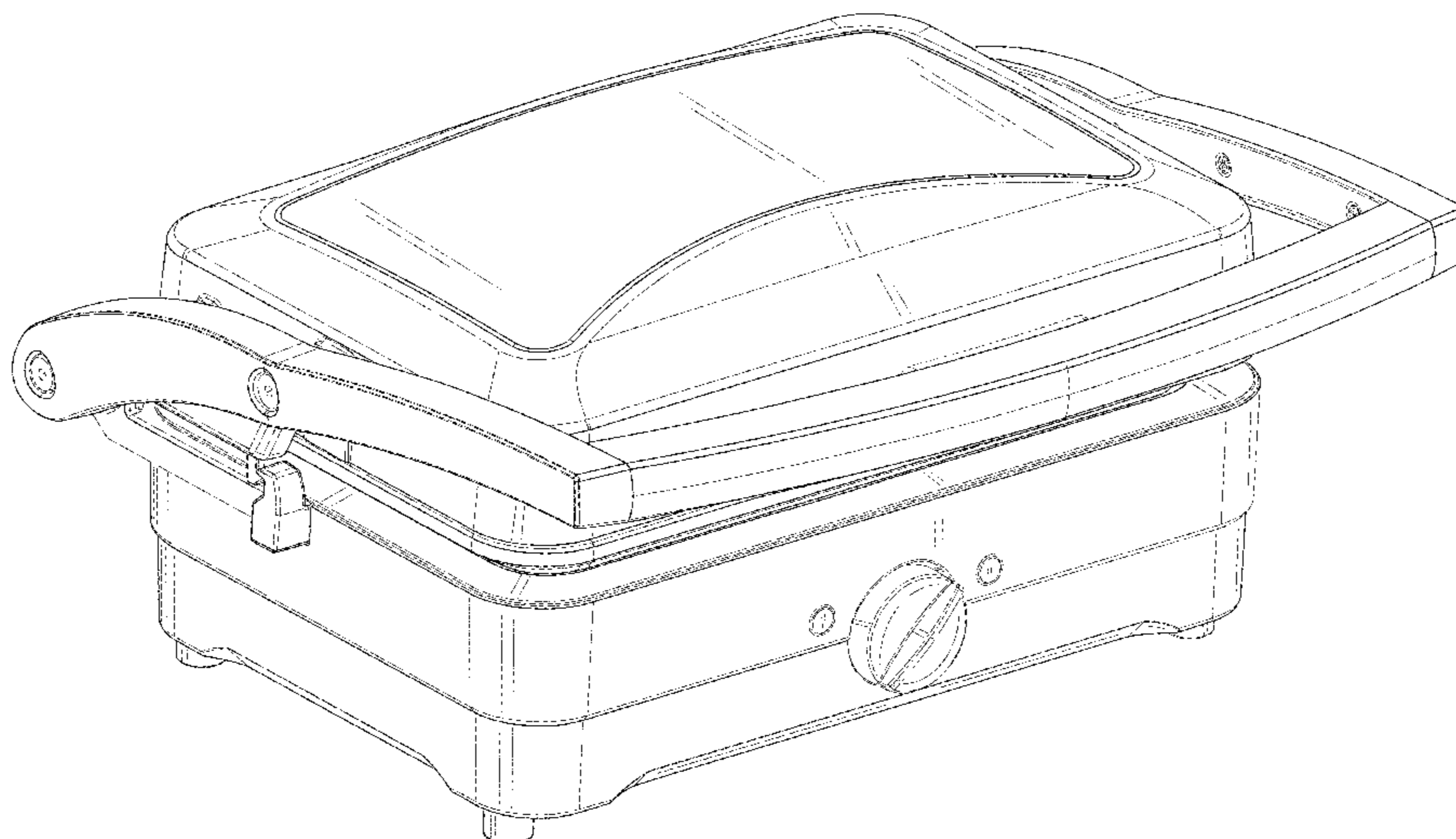
(57) **CLAIM**

The ornamental design for a grill, as shown and described.

**DESCRIPTION**

Figure 1.1 is a top front perspective view of a grill showing my new design;  
Figure 1.2 is a front elevation view thereof;  
Figure 1.3 is a rear elevation view thereof;  
Figure 1.4 is a right side view thereof;  
Figure 1.5 is a top plan view thereof;  
Figure 1.6 is a bottom plan view thereof;  
Figure 1.7 is a top rear perspective view thereof; and  
Figure 1.8 is a left side view thereof.  
In the drawings the portions of the article shown in broken lines do not form any part of the claimed design.

**1 Claim, 8 Drawing Sheets**



(56)

**References Cited**

U.S. PATENT DOCUMENTS

9,060,640	B2 *	6/2015	Barrows	.....	A47J 37/105
D760,532	S *	7/2016	Koszylko	.....	D7/352
D766,645	S *	9/2016	Koszylko	.....	D7/352
D802,984	S *	11/2017	Dutruel	.....	A47J 37/0611
					D7/352
D811,155	S *	2/2018	De'Longhi	.....	D7/352
D835,451	S *	12/2018	Berge	.....	A47J 37/0676
					D7/360
D853,172	S *	7/2019	De'Longhi	.....	A47J 37/0611
					D7/352
D884,410	S *	5/2020	Tan	.....	A47J 37/0611
					D7/352
10,736,186	B2 *	8/2020	An	.....	H05B 6/763
D926,514	S *	8/2021	Du	.....	A47J 37/015
					D7/362
2006/0054615	A1 *	3/2006	Tidey	.....	A47J 37/0629
					219/429
2007/0017384	A1 *	1/2007	Serra	.....	A47J 37/0611
					99/372
2007/0137499	A1 *	6/2007	Leon	.....	A47J 37/0676
					99/422
2009/0025567	A1 *	1/2009	Greenberg	.....	A47J 37/0676
					99/337
2015/0033957	A1 *	2/2015	Fung	.....	A21B 5/023
					99/390

\* cited by examiner

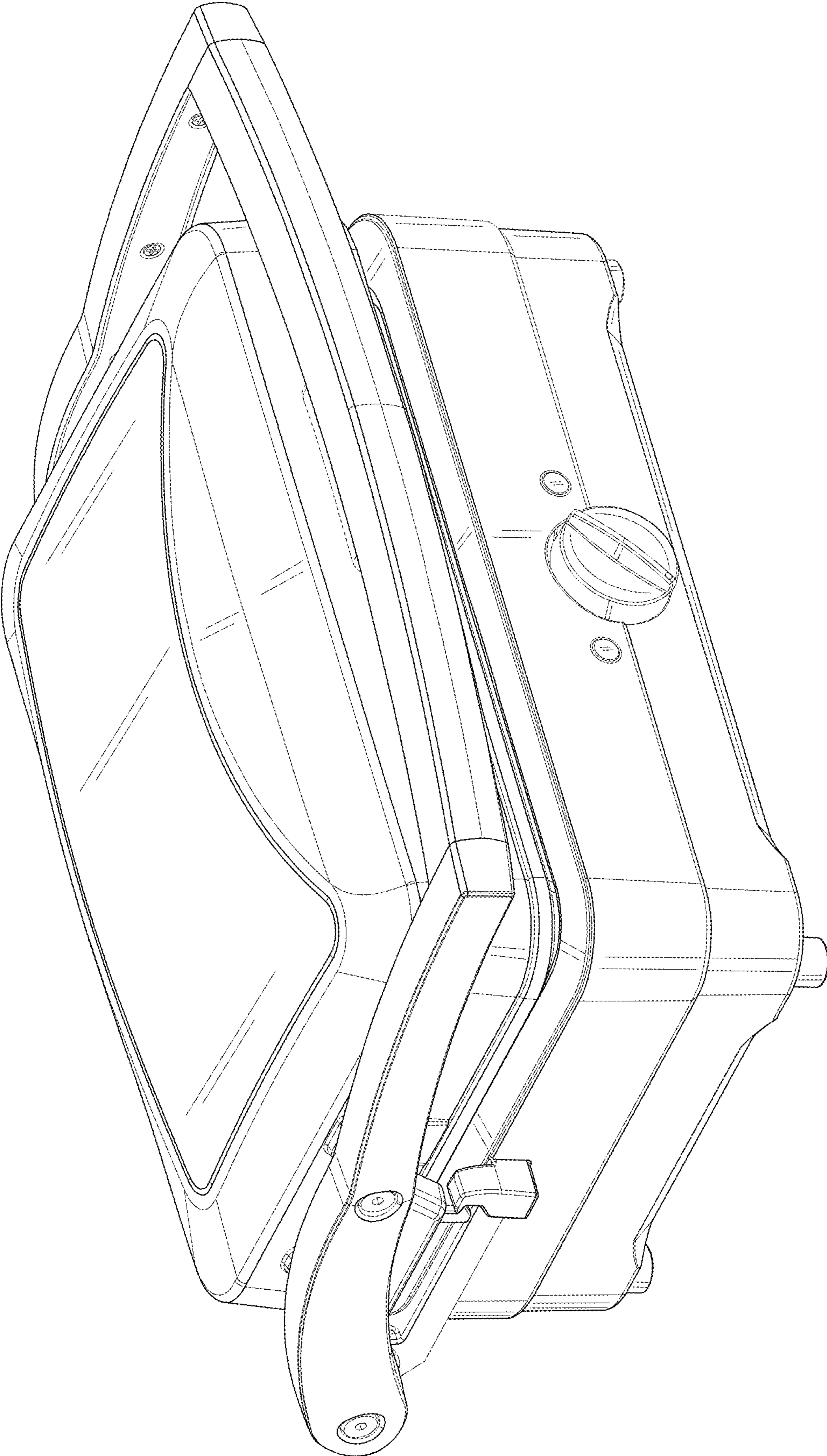


FIG. 1.1

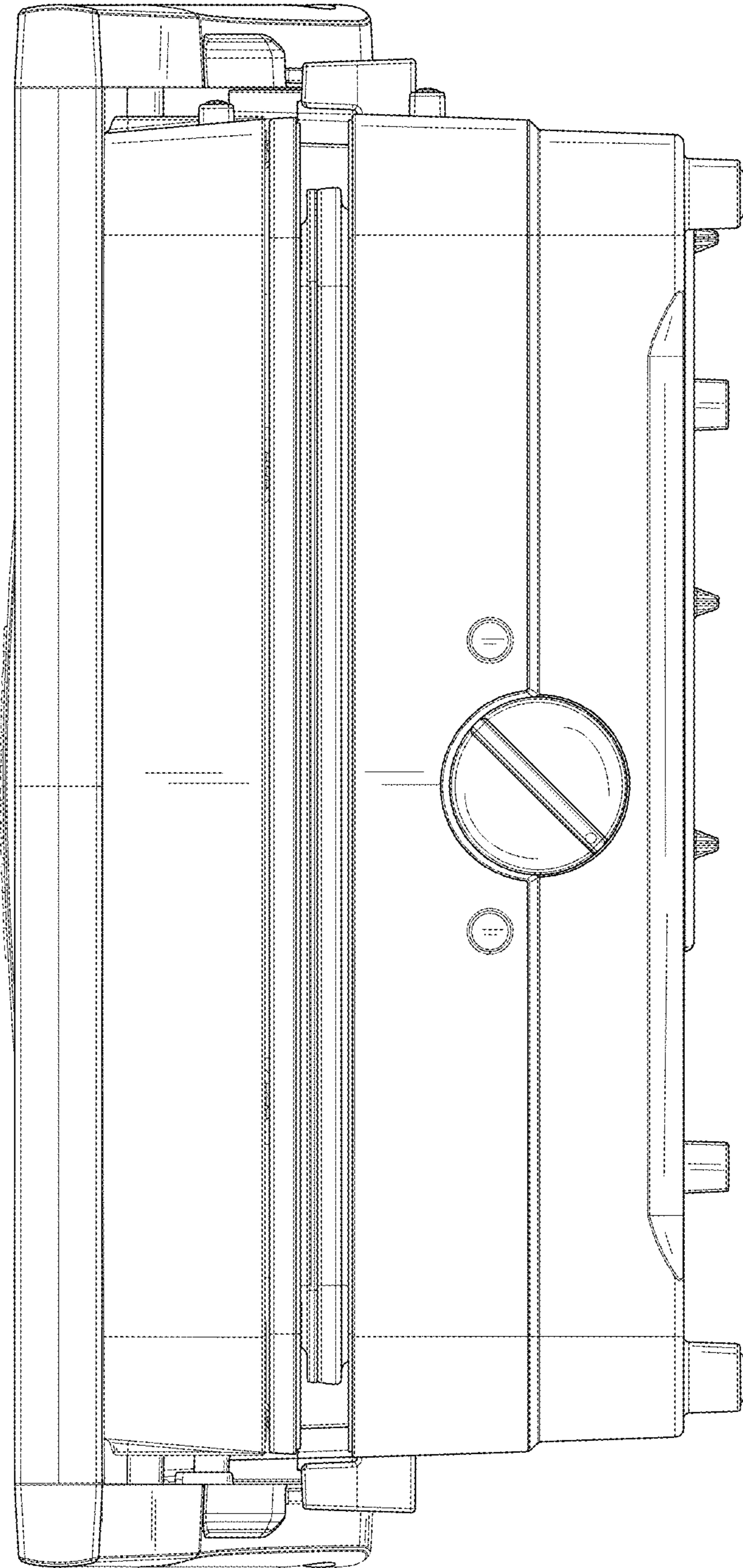


FIG. 1.2

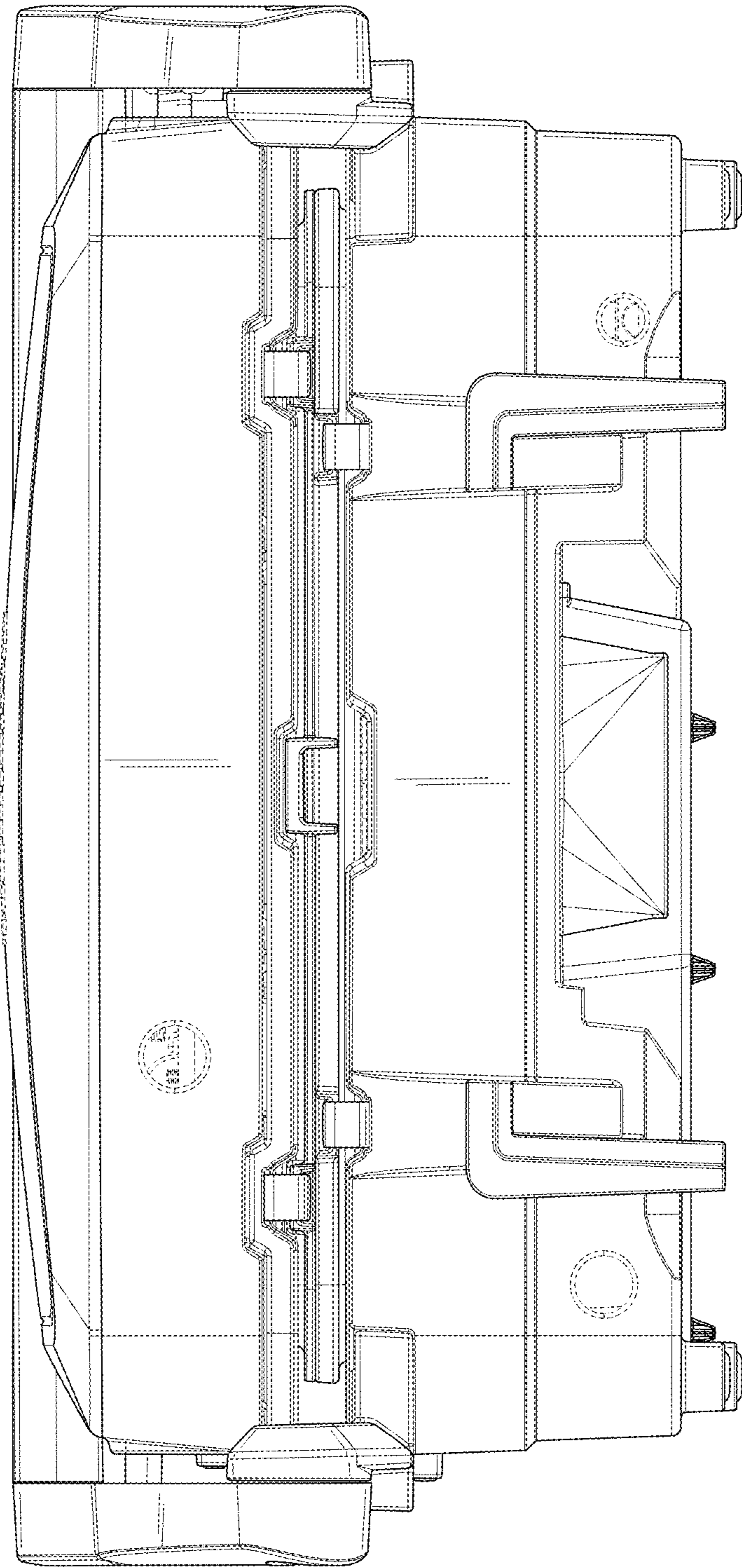


FIG. 1.3

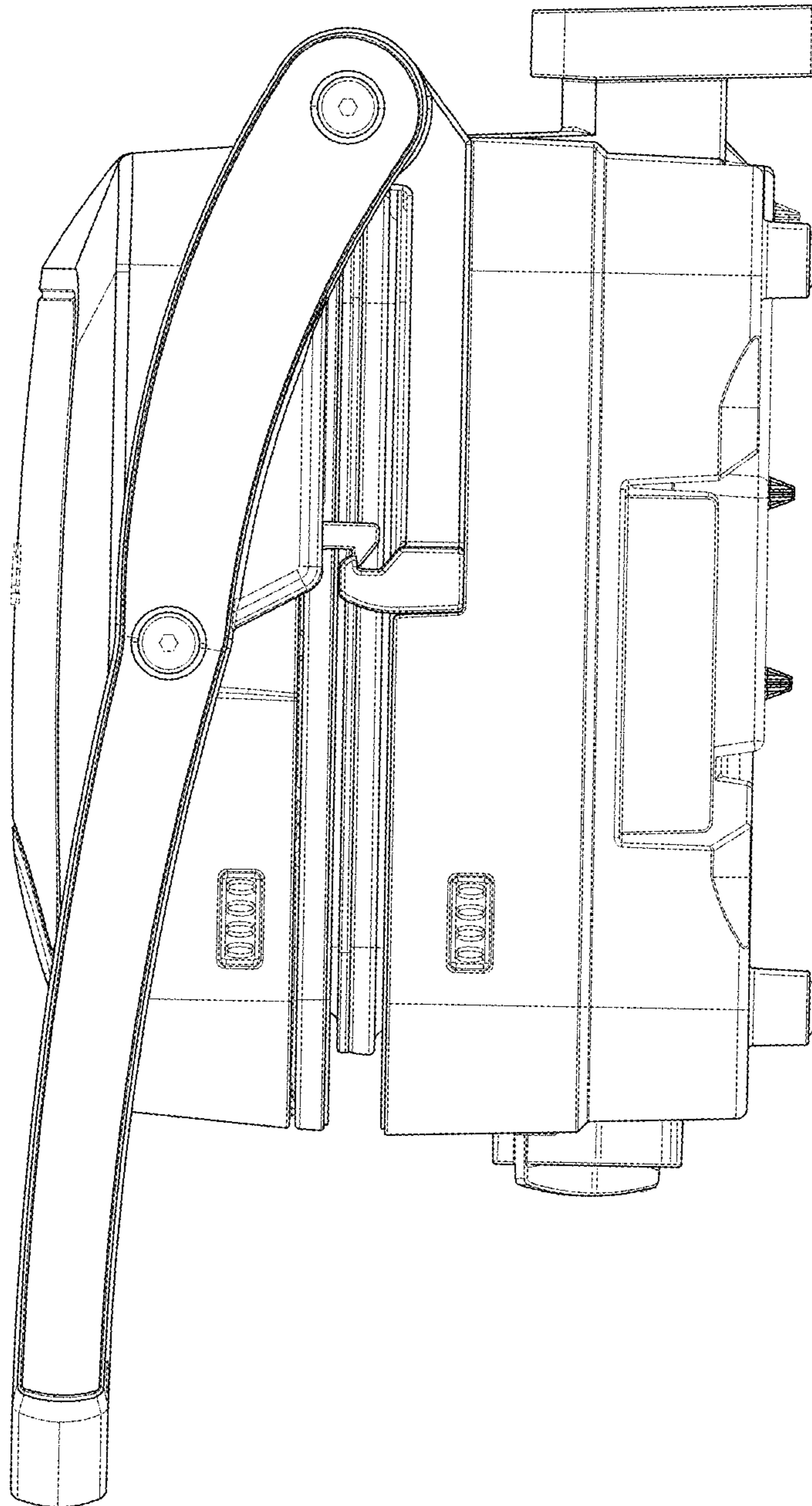


FIG. 1.4

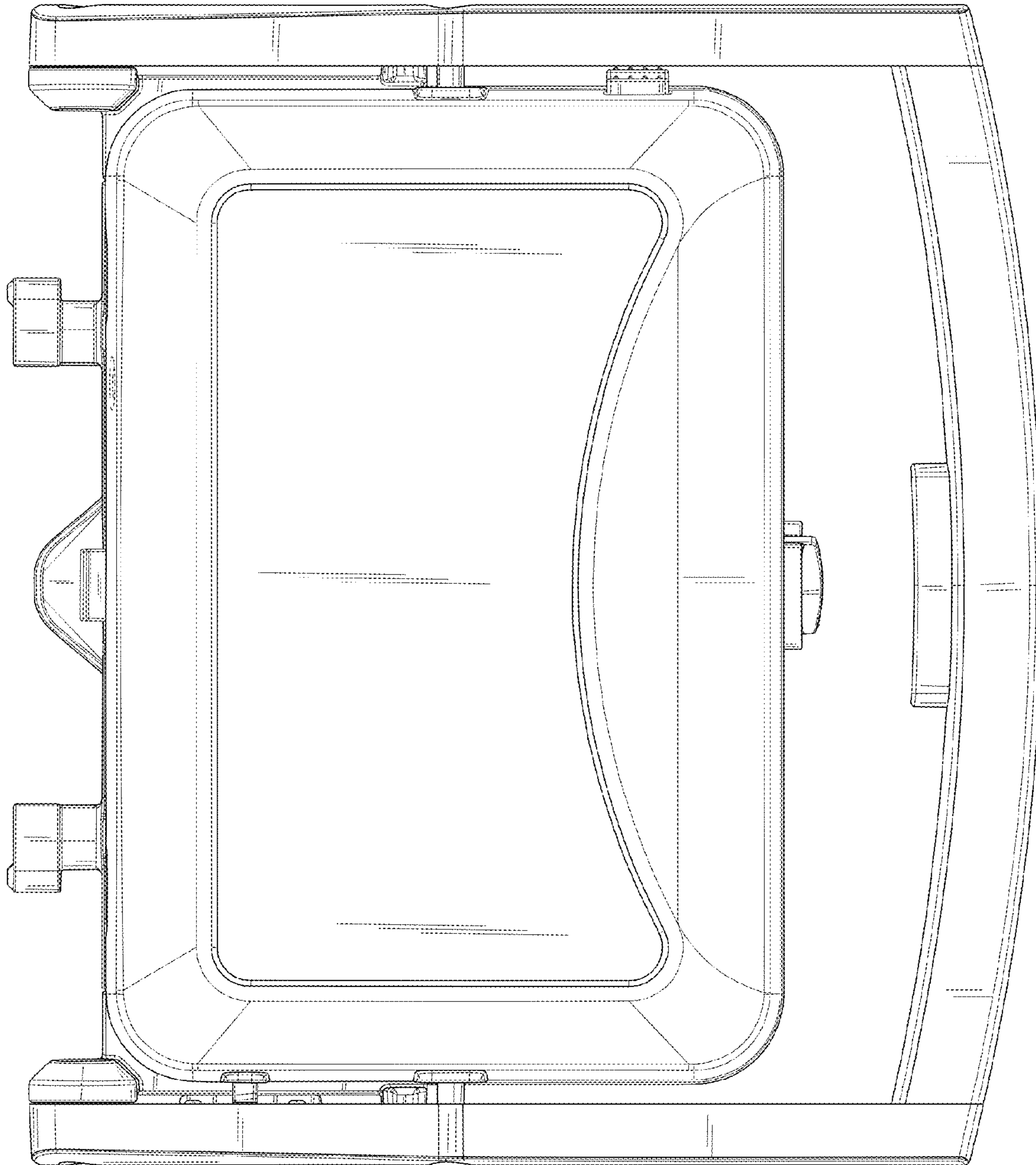


FIG. 1.5

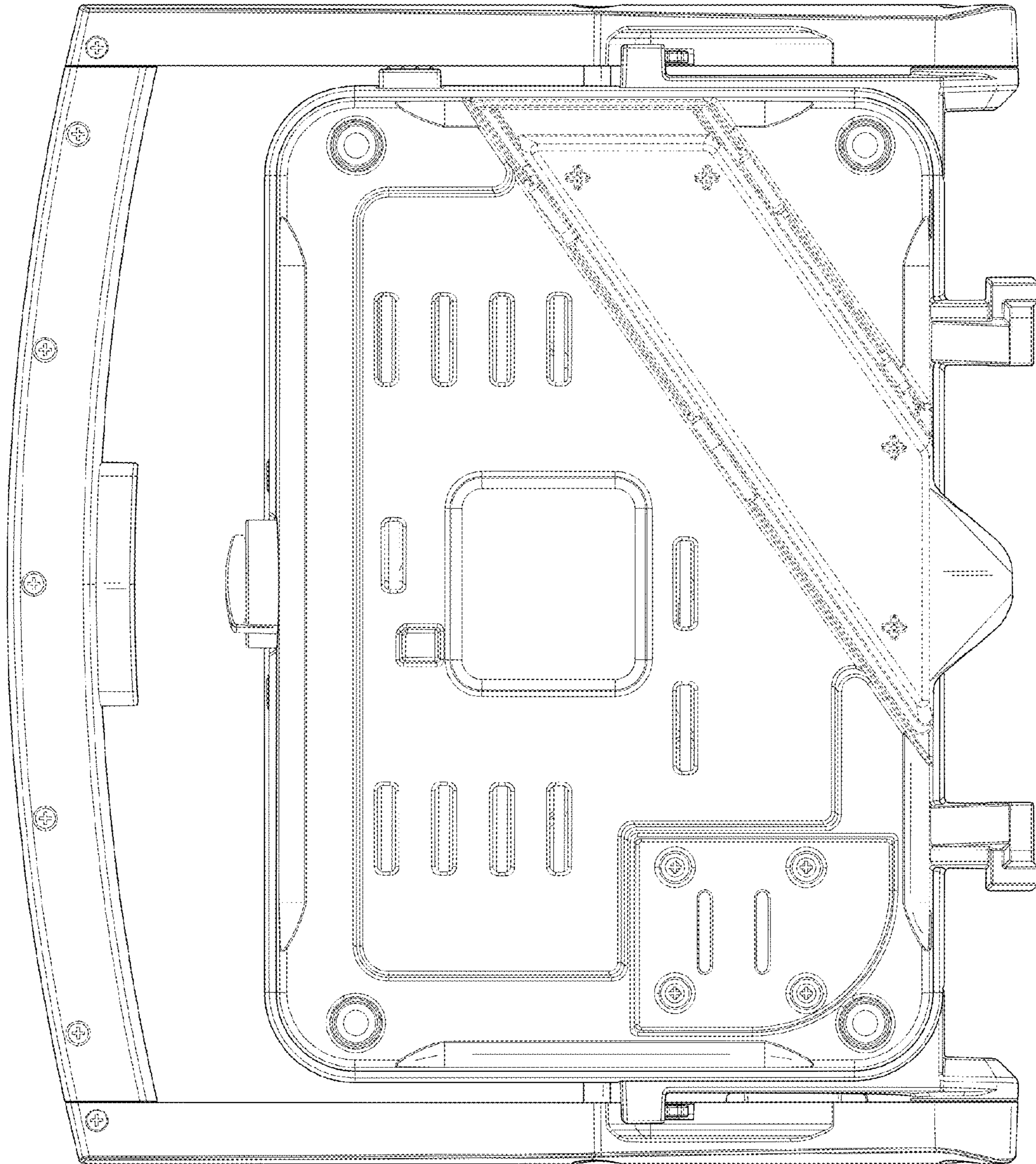


FIG. 1.6



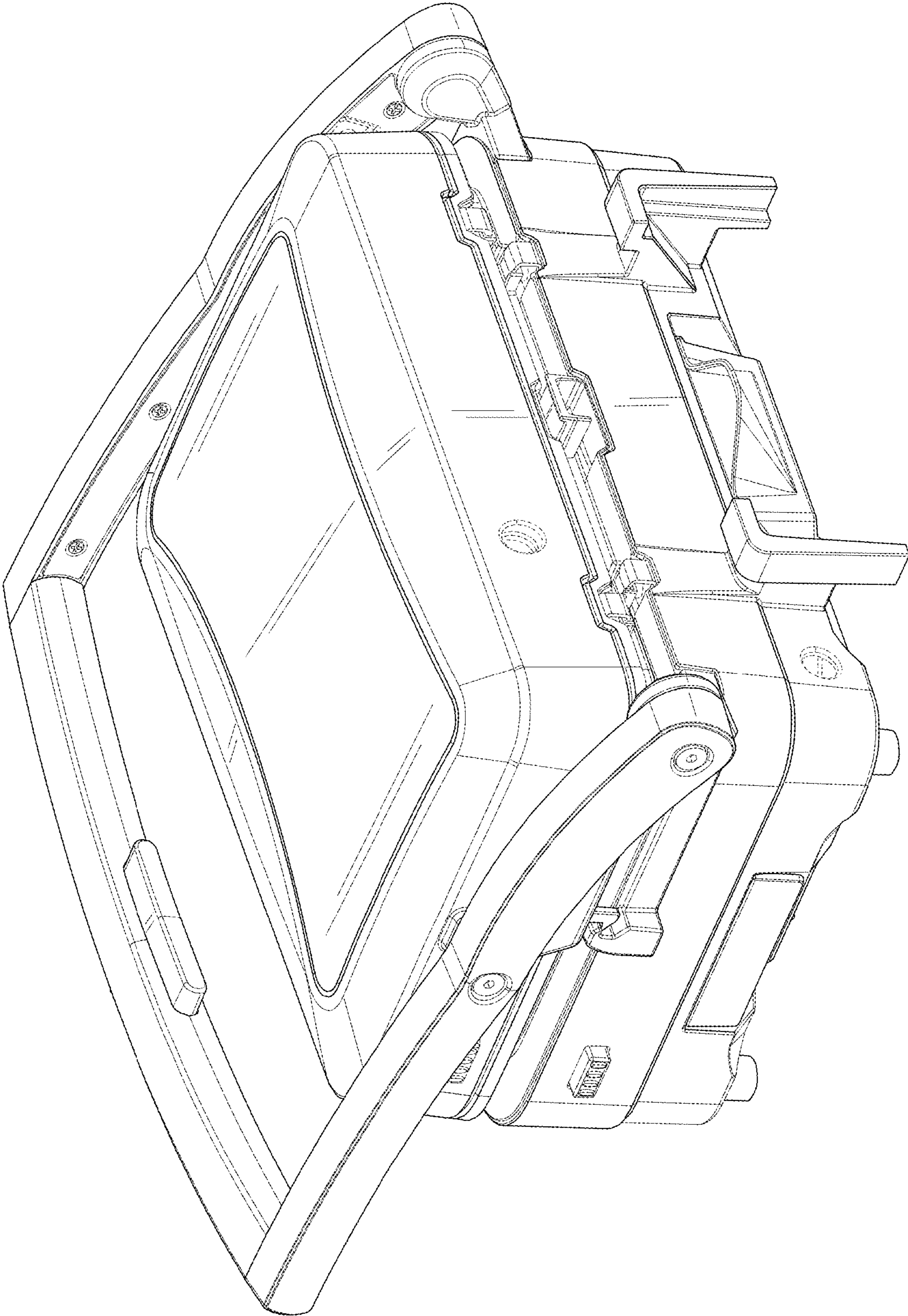


FIG. 1.7

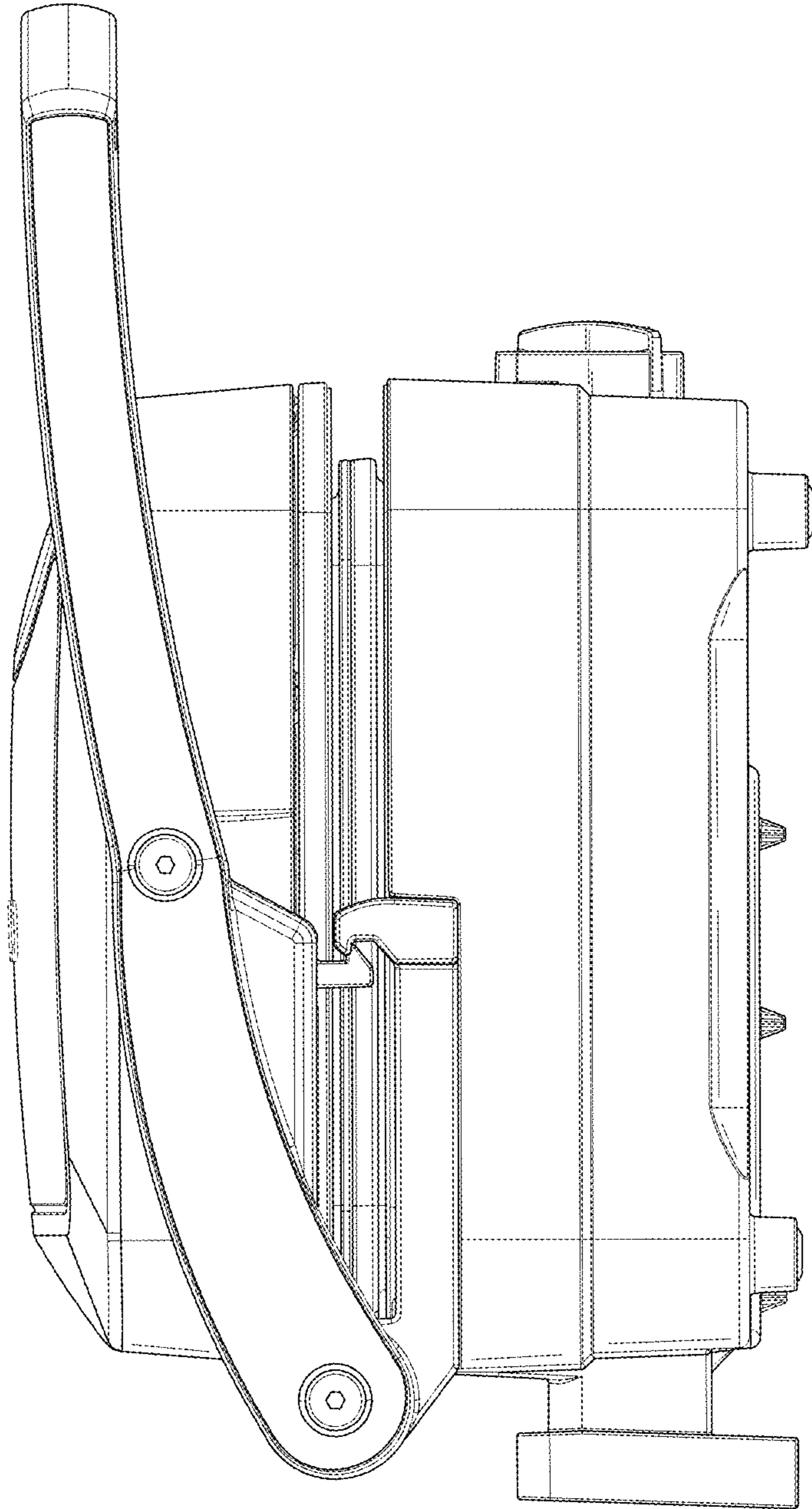


FIG. 1.8