



US00D944047S

(12) **United States Design Patent**  
**Hayon**

(10) **Patent No.:** **US D944,047 S**  
(45) **Date of Patent:** **\*\* Feb. 22, 2022**

(54) **TOASTER**

(71) Applicant: **Samsung Electronics Co., Ltd.**,  
Suwon-si (KR)

(72) Inventor: **Jaime Hayon**, Valencia (ES)

(73) Assignee: **Samsung Electronics Co., Ltd.**,  
Suwon-si (KR)

(\*\*) Term: **15 Years**

(21) Appl. No.: **29/741,548**

(22) Filed: **Jul. 14, 2020**

(30) **Foreign Application Priority Data**

Jan. 14, 2020 (KR) ..... 30-2020-0001618

(51) **LOC (13) Cl.** ..... **07-02**

(52) **U.S. Cl.**  
USPC ..... **D7/330**

(58) **Field of Classification Search**  
USPC ..... D6/669; D7/323, 328-330, 337, 347,  
D7/352-364, 367, 390, 402, 409-411  
CPC .. A21B 2/00; A21B 5/023; A47J 27/60; A47J  
27/62; A47J 37/00; A47J 37/04; A47J  
37/06; A47J 37/067; A47J 37/0605; A47J  
(Continued)

(56) **References Cited**

**U.S. PATENT DOCUMENTS**

D148,936 S \* 3/1948 Layton ..... D7/330  
D425,358 S \* 5/2000 Hughes ..... D7/330  
(Continued)

**FOREIGN PATENT DOCUMENTS**

EM 000305867-0001 5/2005  
EM 001705328-0003 6/2010  
WO DM 100 506 3/2018

**OTHER PUBLICATIONS**

Lofter Long Slot Toaster. Date First Available on Amazon.com Jul. 1, 2020. <https://www.amazon.com/Stainless-Toasters-Settings-Function-Removable/dp/B087RFCC1H/ref> (Year: 2020).\*

*Primary Examiner* — Ricky Pham

(74) *Attorney, Agent, or Firm* — NSIP Law

(57) **CLAIM**

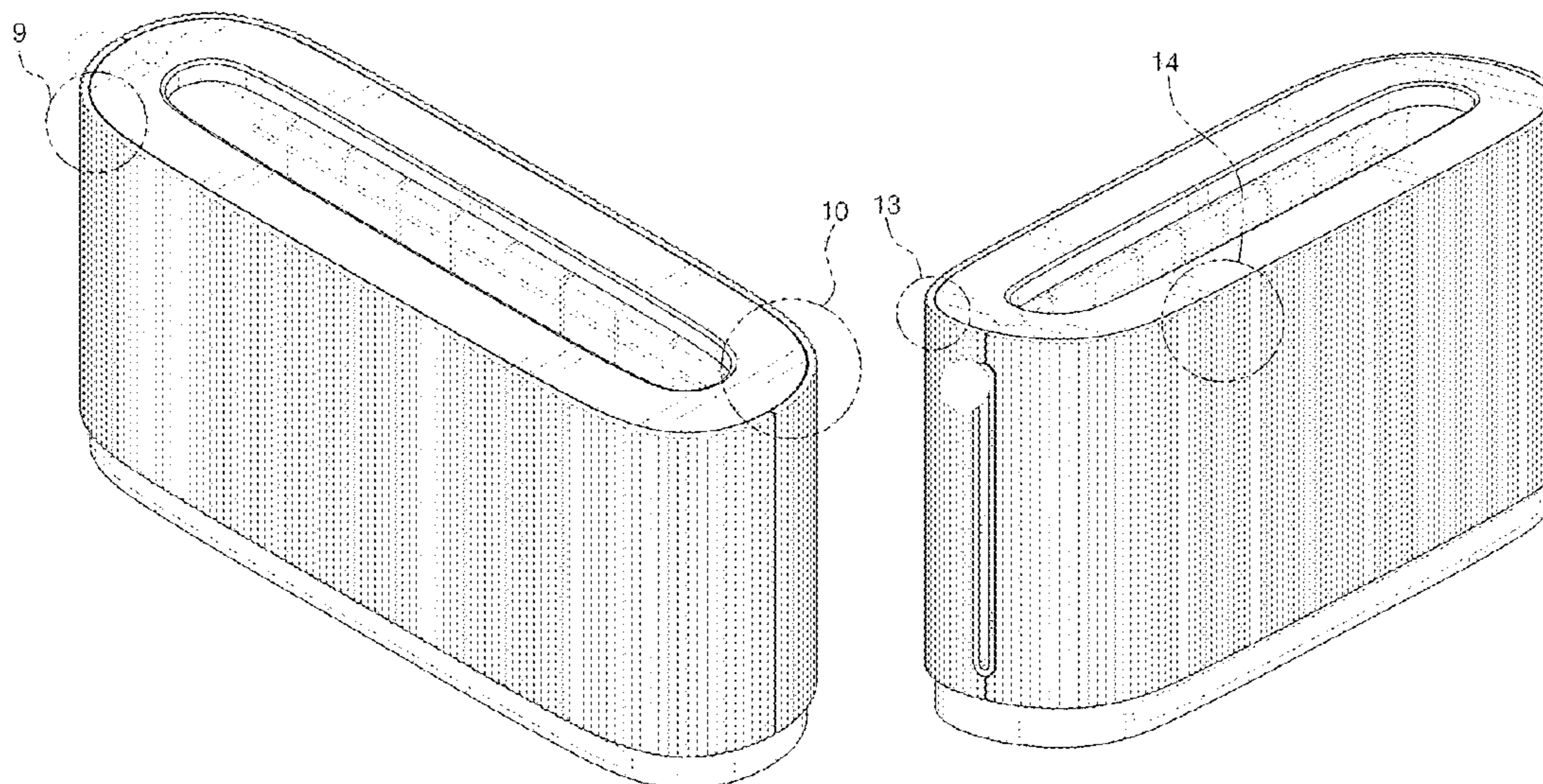
I claim the ornamental design for a toaster, as shown and described.

**DESCRIPTION**

FIG. 1 is a front perspective view of a toaster showing my new design;  
FIG. 2 is a front view thereof;  
FIG. 3 is a rear view thereof;  
FIG. 4 is a left-side view thereof;  
FIG. 5 is a right-side view thereof;  
FIG. 6 is a top view thereof;  
FIG. 7 is a bottom view thereof;  
FIG. 8 is a rear perspective view thereof;  
FIG. 9 is an enlarged view of the encircled portion 9 in FIG. 1;  
FIG. 10 is an enlarged view of the encircled portion 10 in FIG. 1;  
FIG. 11 is an enlarged view of the encircled portion in FIG. 2;  
FIG. 12 is an enlarged view of the encircled portion in FIG. 5;  
FIG. 13 is an enlarged view of the encircled portion 13 in FIG. 8; and,  
FIG. 14 is an enlarged view of the encircled portion 14 in FIG. 8.

The evenly-dashed broken lines in the figures depict portions of the toaster which form no part of the claimed design. The dot-dot-dash broken lines encircling portions of the claimed design that are illustrated in enlargements form no part of the claimed design.

**1 Claim, 12 Drawing Sheets**



(58) **Field of Classification Search**

CPC ..... 37/0611; A47J 37/0623; A47J 37/0629;  
A47J 37/0676; A47J 37/08; A47J  
37/0807; A47J 37/0814; A47J 37/0835;  
A47J 37/0842; A47J 37/085; A47J  
37/0864; A47J 37/0878; A47J 37/0885;  
A47J 37/0892; A47J 2037/06; A47J  
2037/0611; F24C 15/10; F24C 15/101;  
F24C 15/102; F24C 15/105; H05B 6/02;  
H05B 6/062

See application file for complete search history.

(56) **References Cited**

U.S. PATENT DOCUMENTS

D470,710	S	*	2/2003	Littmann	.....	D7/330
D474,639	S	*	5/2003	To	.....	D7/330
D525,817	S		8/2006	Brown		
D640,893	S	*	7/2011	Lindquist	.....	D7/330
D746,093	S		12/2015	Bazzicalupo et al.		
D759,417	S	*	6/2016	Carpenter	.....	D7/330
D810,492	S	*	2/2018	Carpenter	.....	D7/330
D811,152	S	*	2/2018	Barquin	.....	D7/330
D835,931	S	*	12/2018	Del Conte	.....	D7/330
D841,386	S	*	2/2019	McConnell	.....	D7/330
D843,769	S	*	3/2019	Chen	.....	D7/330
D846,919	S	*	4/2019	Yost	.....	D6/669
D886,505	S	*	6/2020	Thun	.....	D7/330

\* cited by examiner

FIG. 1

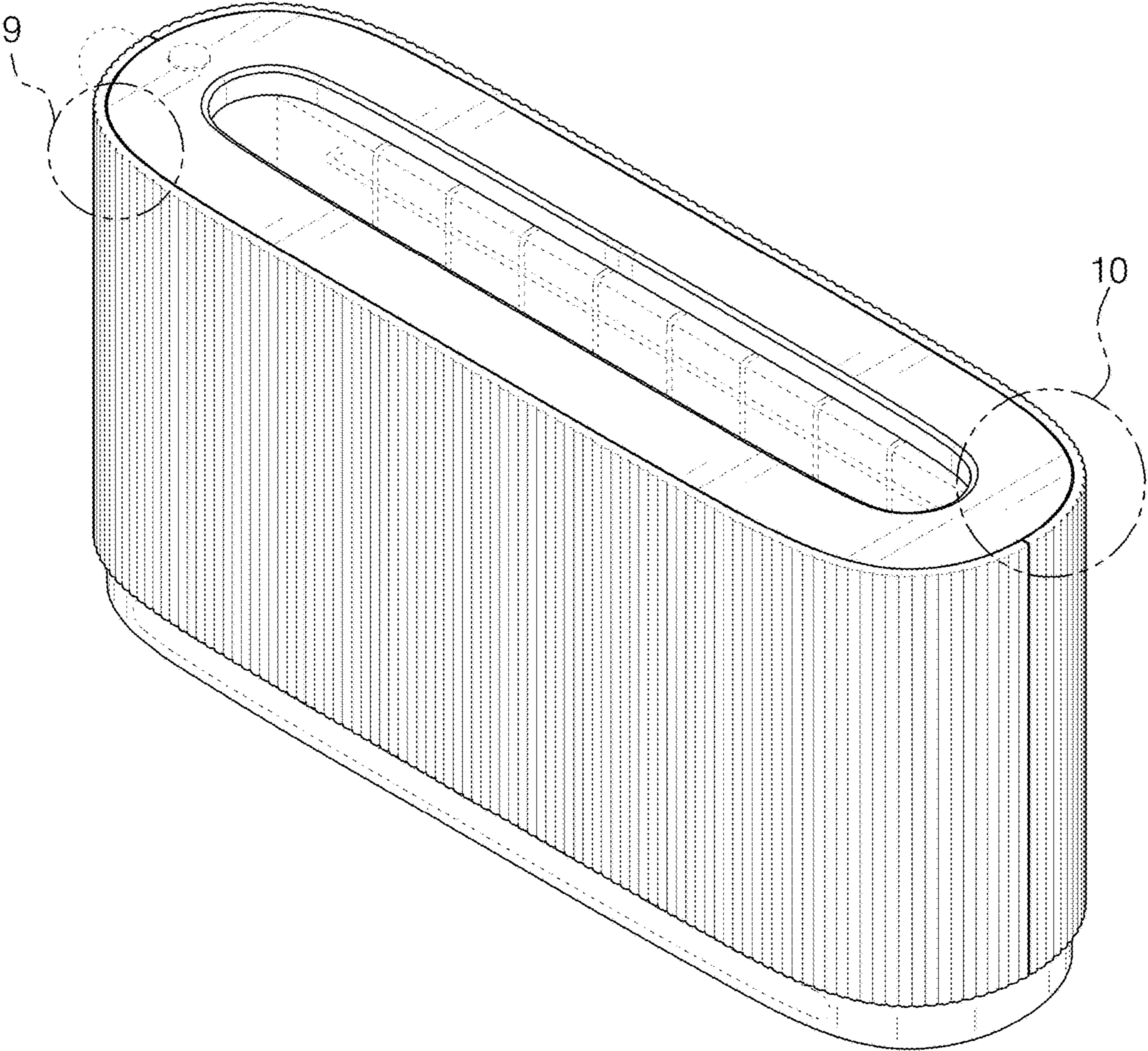


FIG. 2

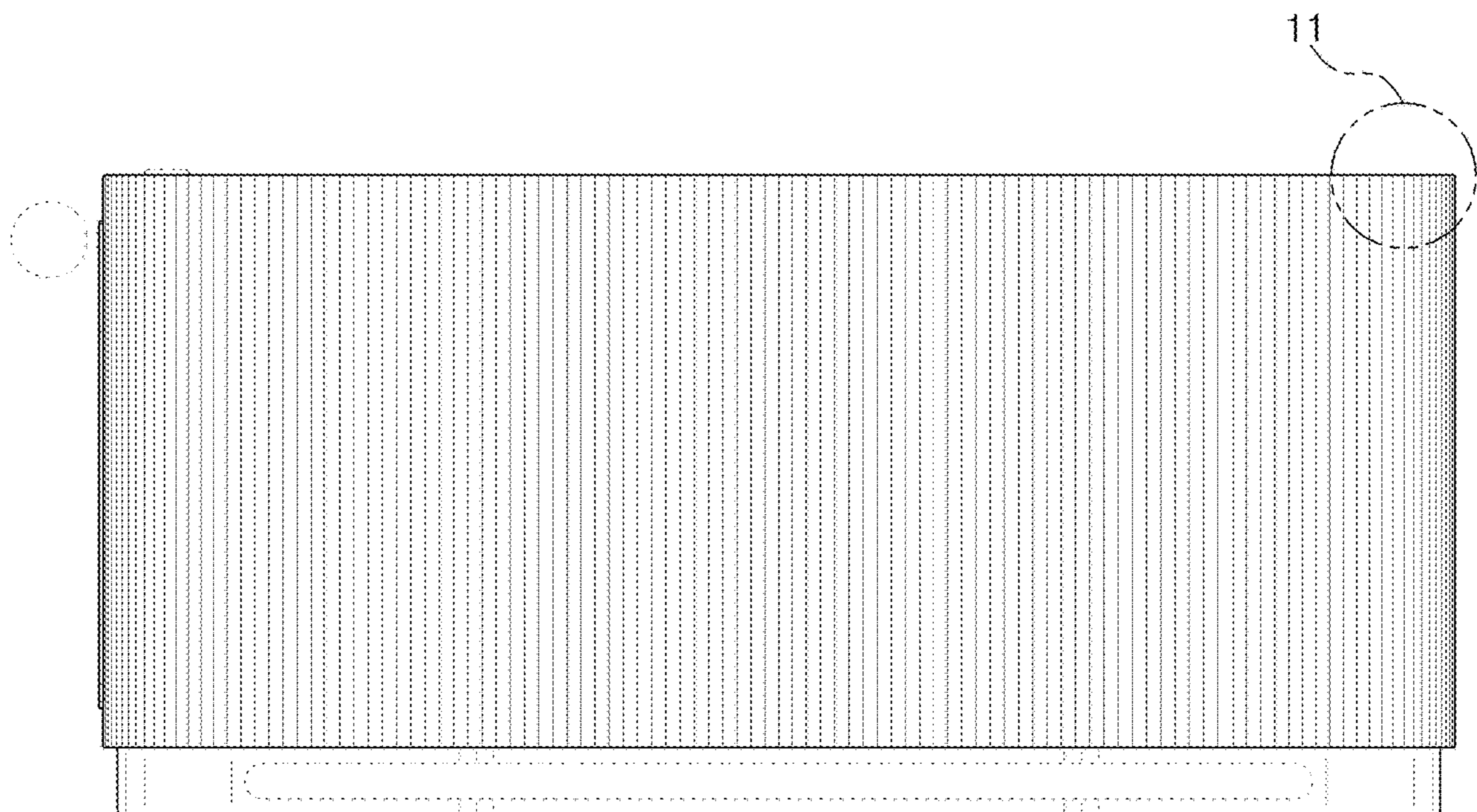


FIG. 3

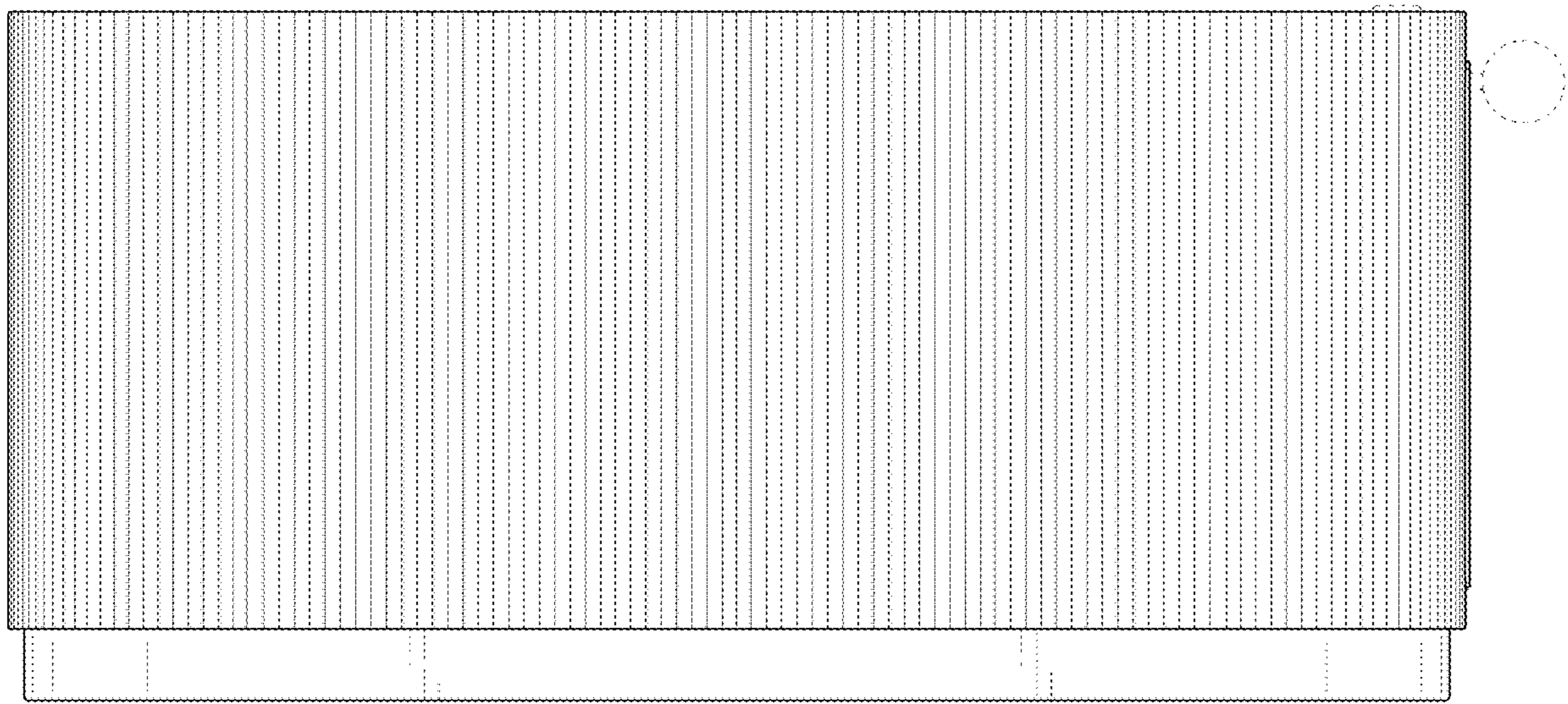


FIG. 4

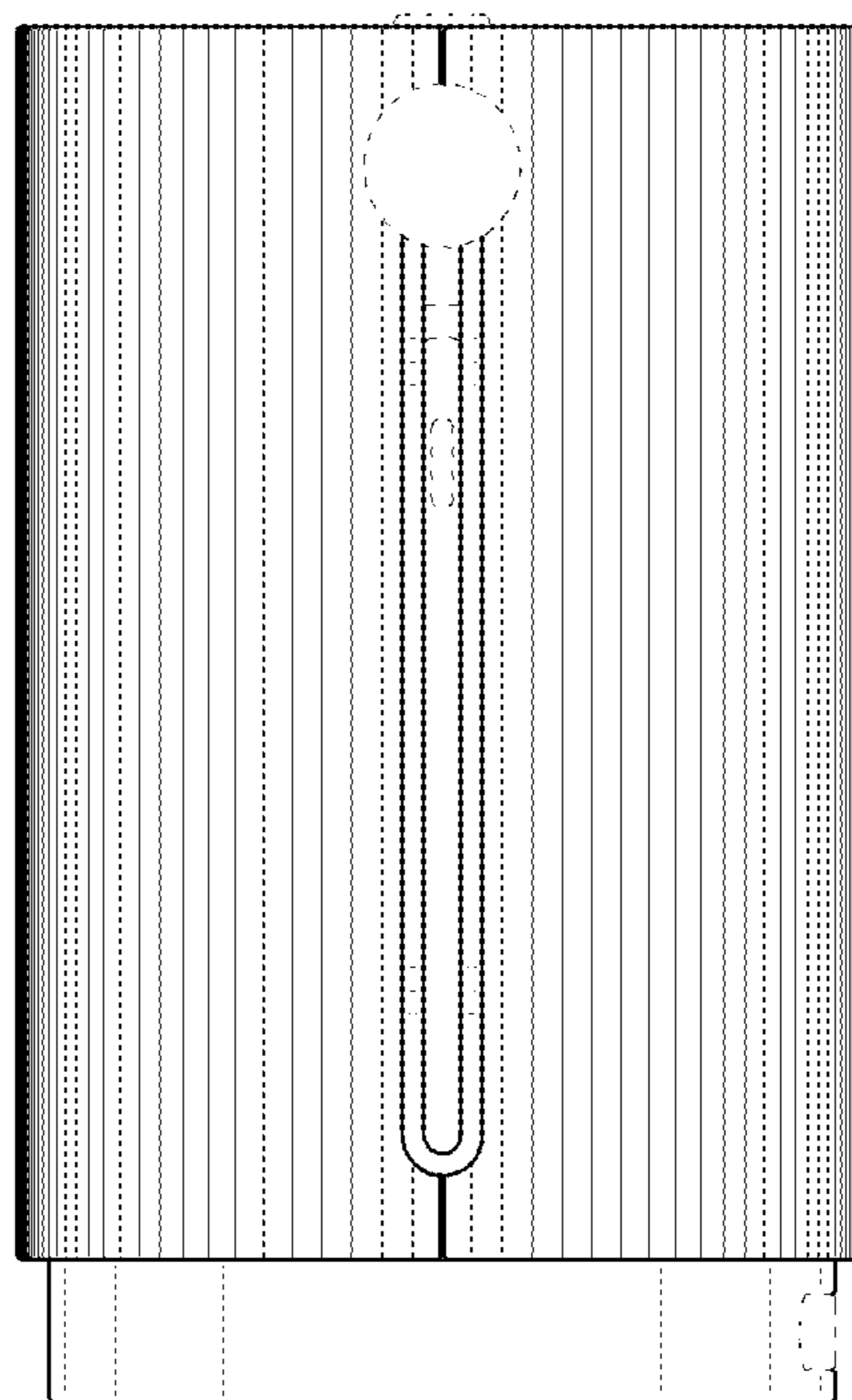


FIG. 5

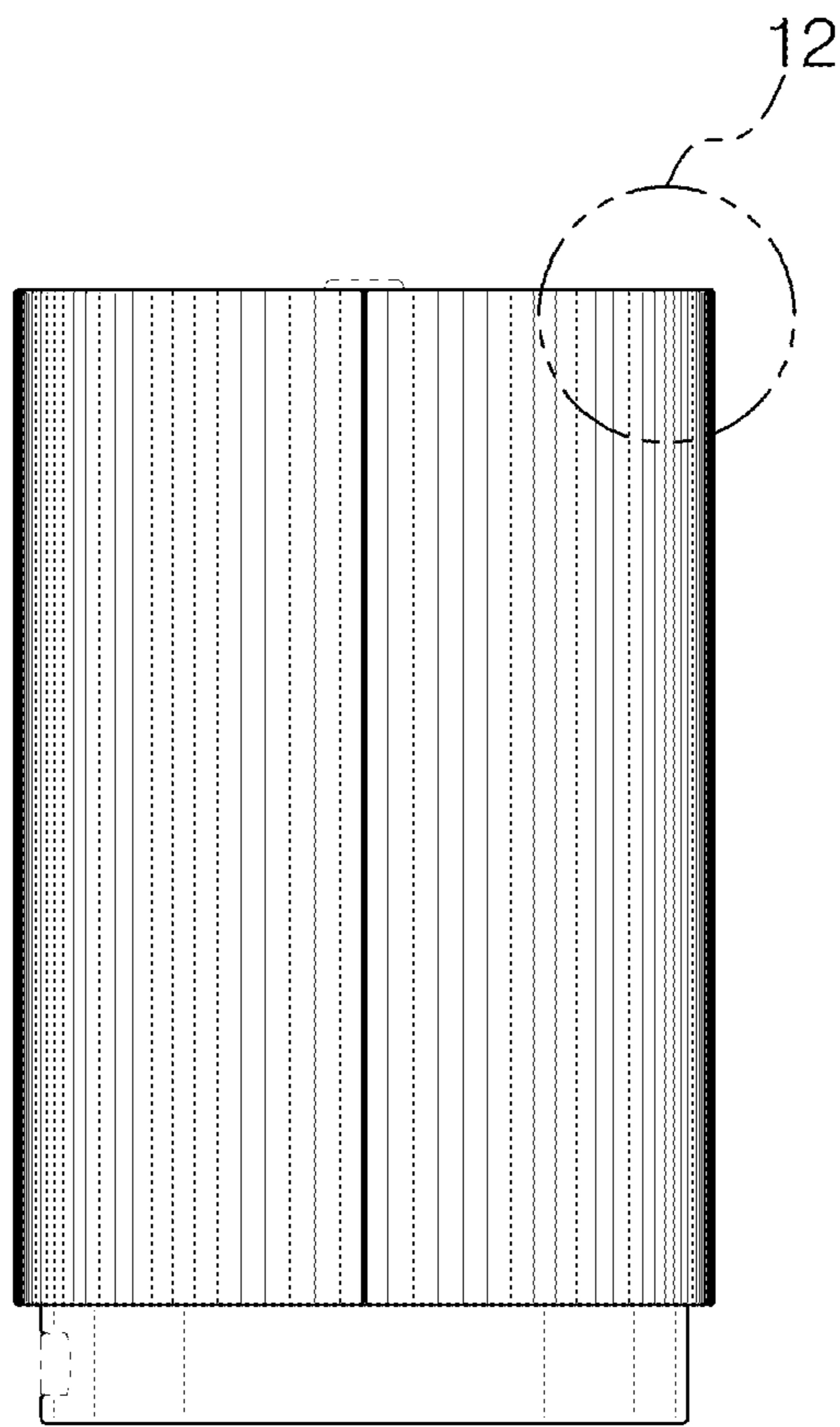


FIG. 6

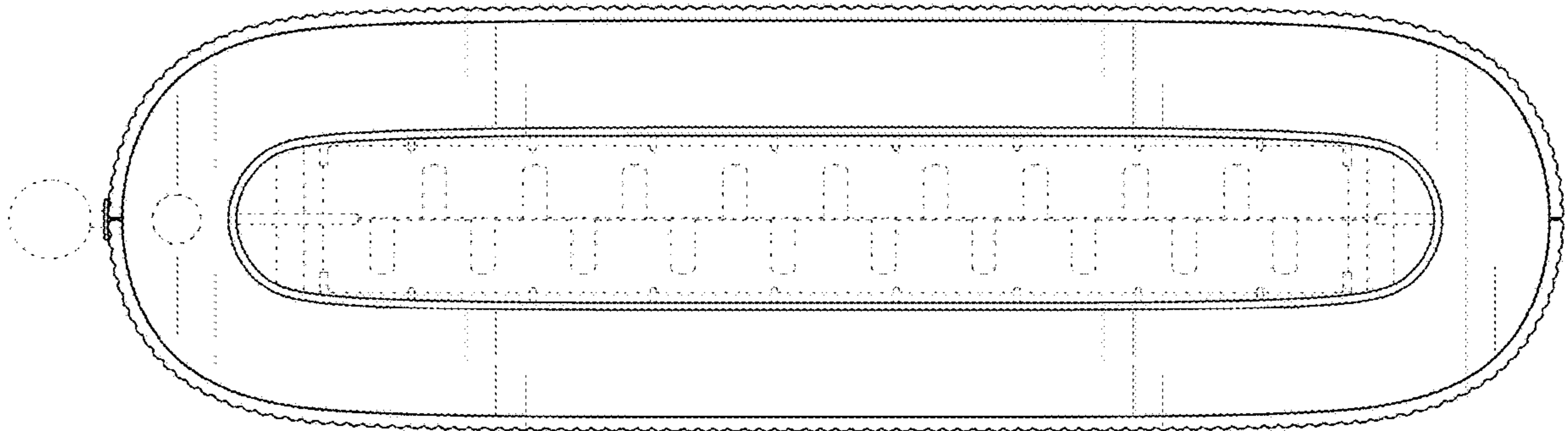


FIG. 7

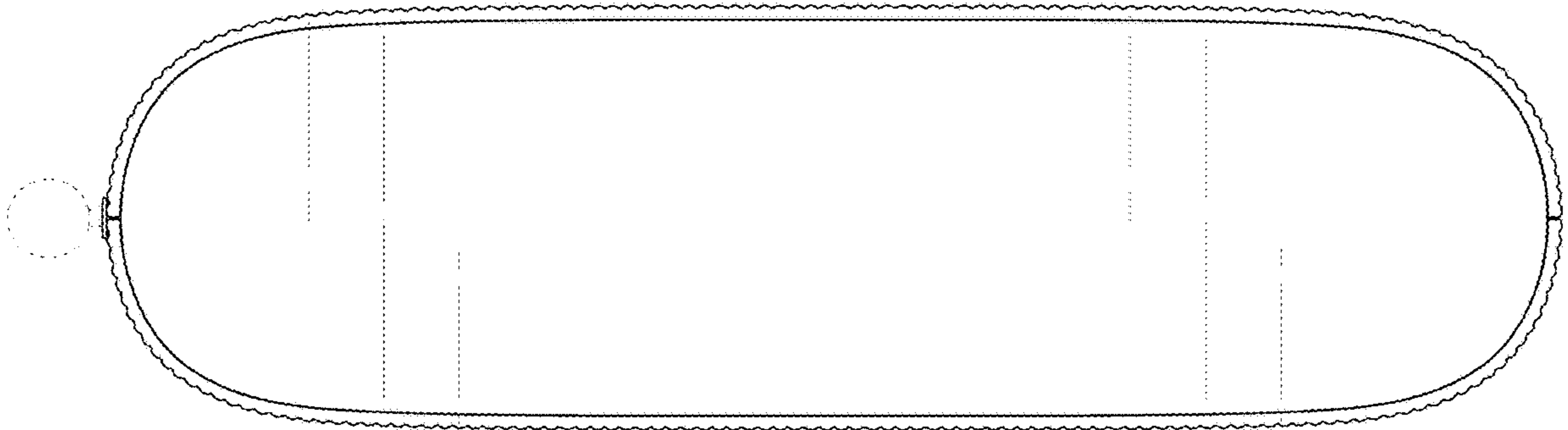




FIG. 8

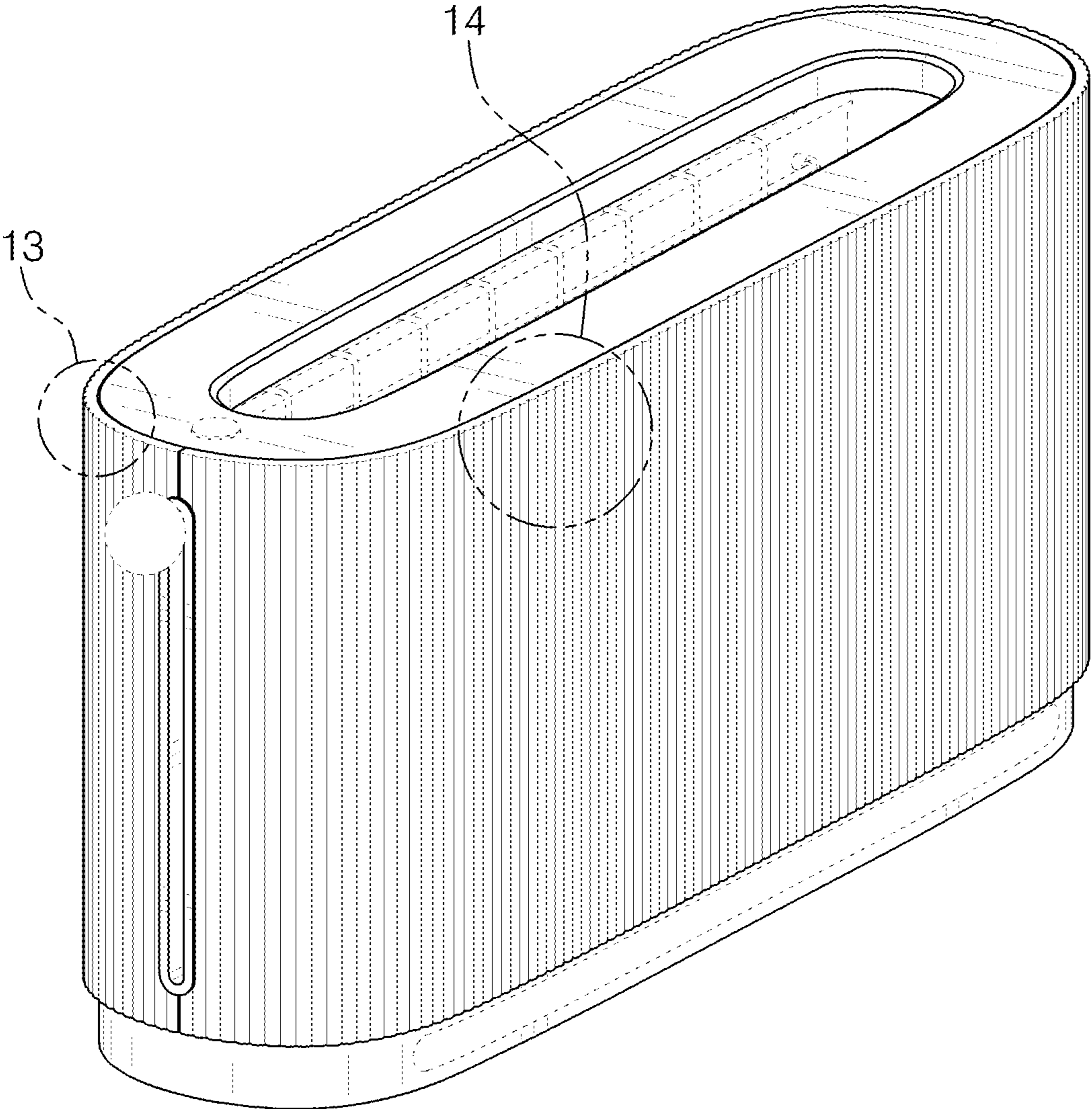


FIG. 9

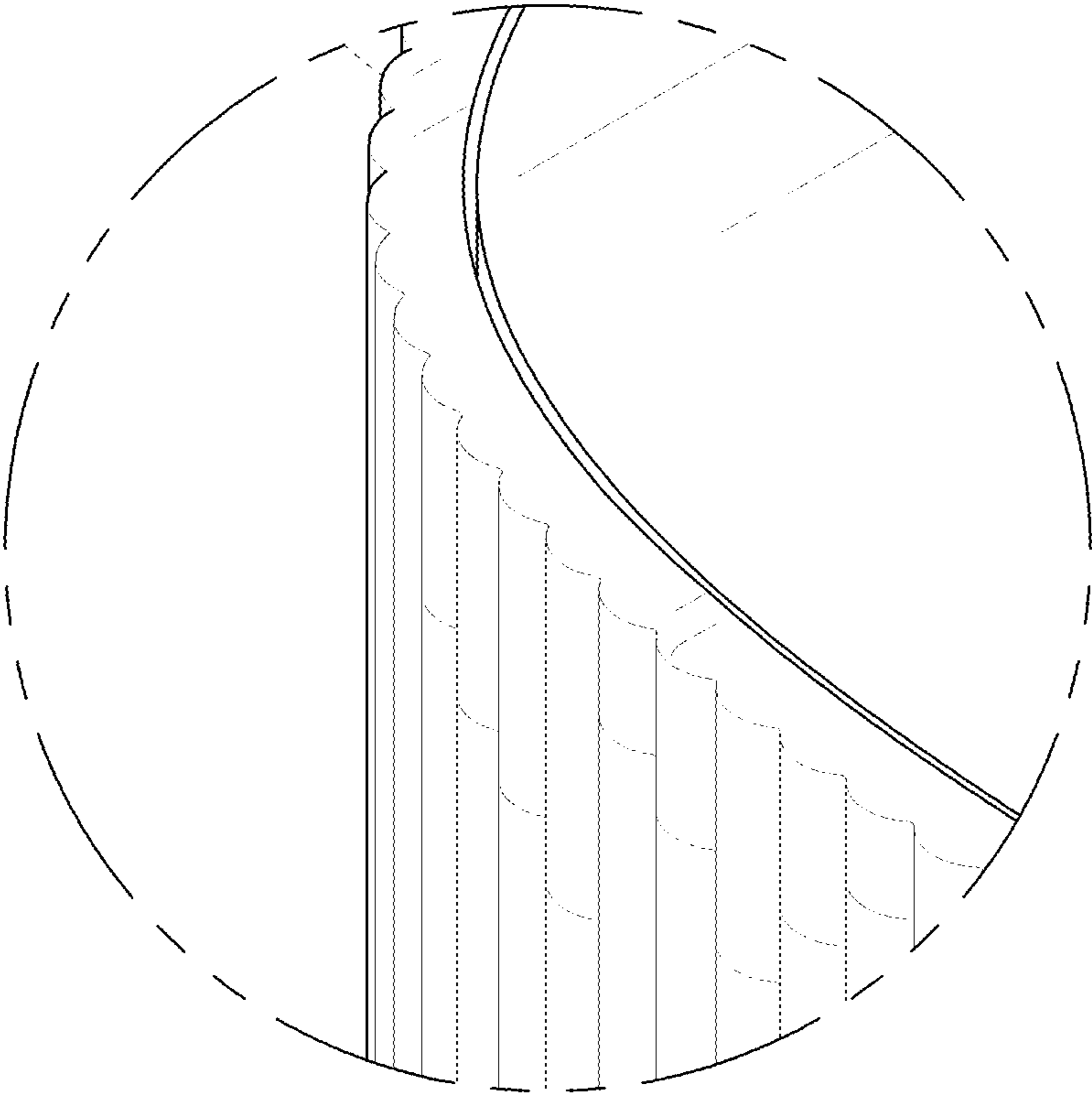


FIG. 10

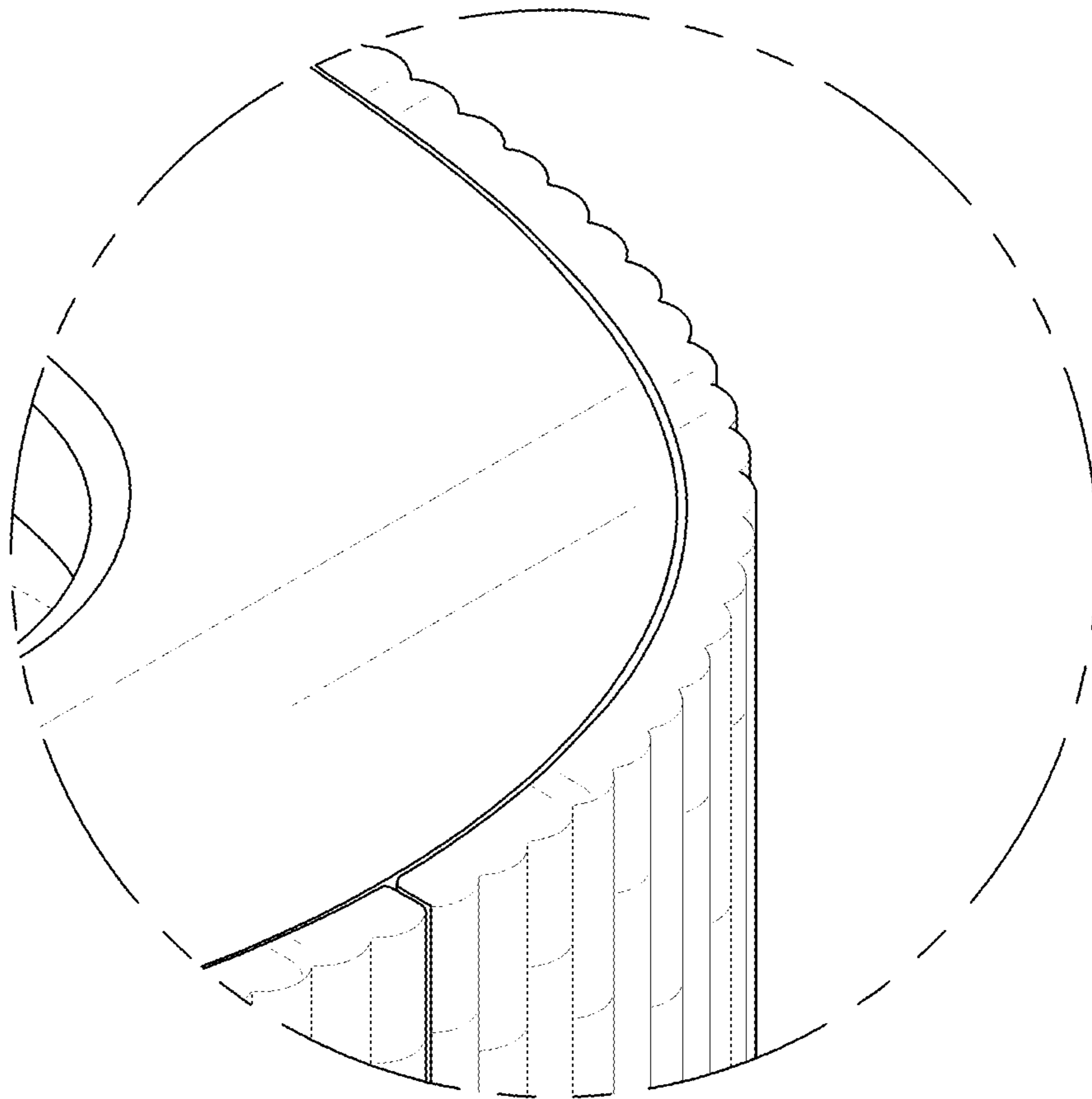


FIG. 11

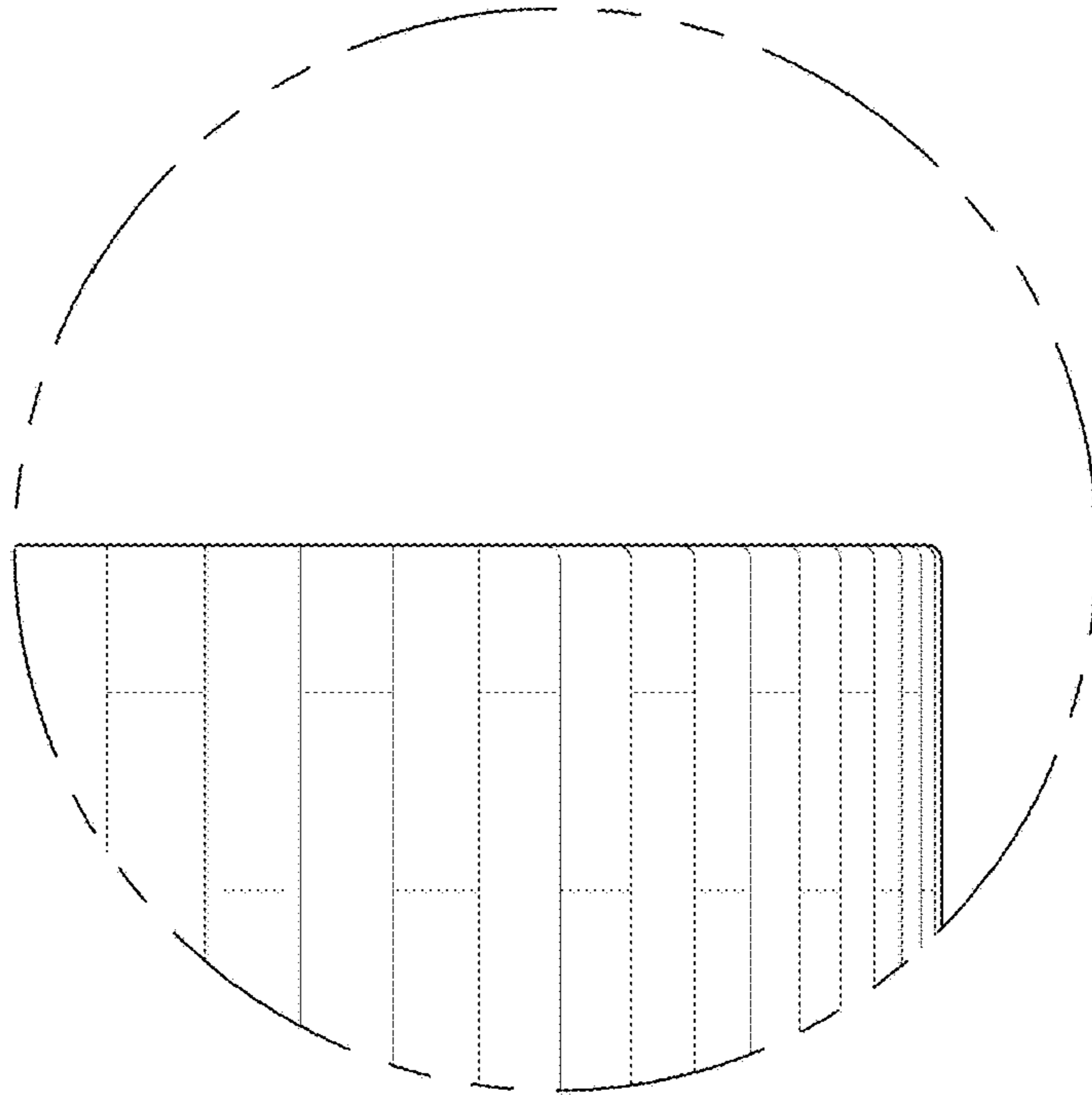


FIG. 12

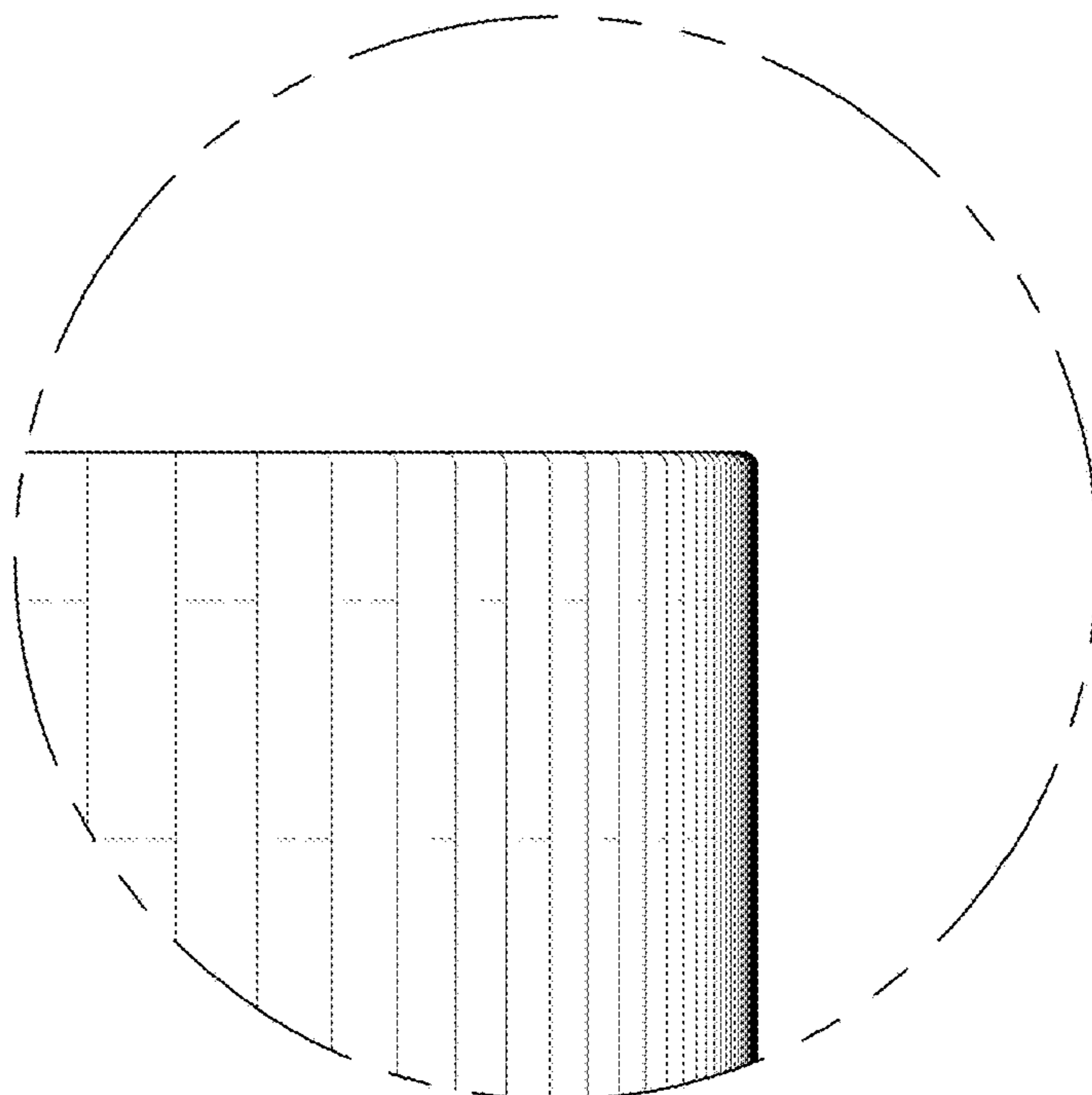


FIG. 13

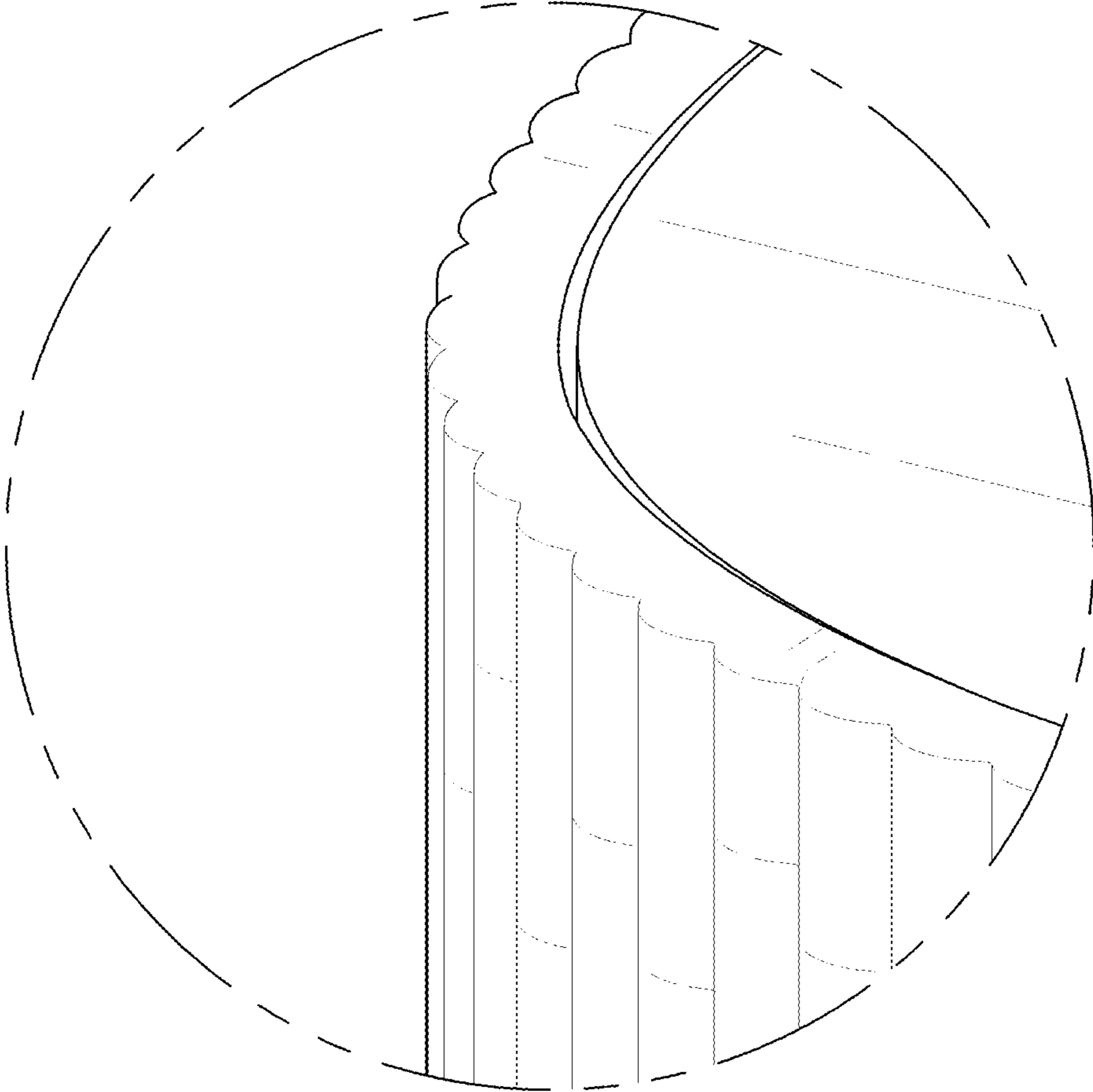


FIG. 14

