



US00D944043S

(12) **United States Design Patent** (10) **Patent No.:** **US D944,043 S**
Averianov (45) **Date of Patent:** **** Feb. 22, 2022**

- (54) **TABLE**
- (71) Applicant: **Norm, Inc.**, Wilmington, DE (US)
- (72) Inventor: **Dmytro Averianov**, Odessa (UA)
- (73) Assignee: **Norm, Inc.**, Wilmington, DE (US)
- (**) Term: **15 Years**
- (21) Appl. No.: **29/788,134**
- (22) Filed: **Mar. 24, 2021**

Related U.S. Application Data

- (62) Division of application No. 29/699,346, filed on Jul. 24, 2019, now Pat. No. Des. 917,940.
- (51) **LOC (13) Cl.** **06-03**
- (52) **U.S. Cl.**
USPC **D6/691.6**
- (58) **Field of Classification Search**
USPC ... D6/641, 642, 656, 656.13, 685, 686, 691,
D6/691.6, 698, 707, 707.19, 709, 709.2,
D6/709.21
CPC ... A47B 13/021; A47B 2013/022; A47B 3/12;
A47B 13/003; A47B 2013/028; A47B
2200/003; A47B 3/06; F16B 12/00; F16B
12/42; F16B 12/48; F16B 12/50
See application file for complete search history.

(56) **References Cited**

U.S. PATENT DOCUMENTS

- | | | |
|-------------|--------|-----------|
| D92,933 S | 7/1934 | Sinclair |
| D164,075 S | 7/1951 | Wallace |
| D190,656 S | 6/1961 | Glass |
| 3,228,359 A | 1/1966 | Rich, Jr. |
| 4,011,821 A | 3/1977 | Neal |
| 4,039,133 A | 8/1977 | Streicher |
| 4,085,916 A | 4/1978 | Pedersen |
| D294,318 S | 2/1988 | Zapf |

- D394,766 S 6/1998 Brandt
 - D395,771 S 7/1998 Kelly et al.
 - D399,684 S 10/1998 Glass
- (Continued)

OTHER PUBLICATIONS

International Search Report and Written Opinion dated Dec. 3, 2020, from the ISA/US, for International Patent Application No. PCT/US2020/043026 (filed Jul. 22, 2020), 13 pgs.
(Continued)

Primary Examiner — Mary Ann Calabrese
Assistant Examiner — Katelin G Kloberg
(74) *Attorney, Agent, or Firm* — Ascenda Law Group, PC

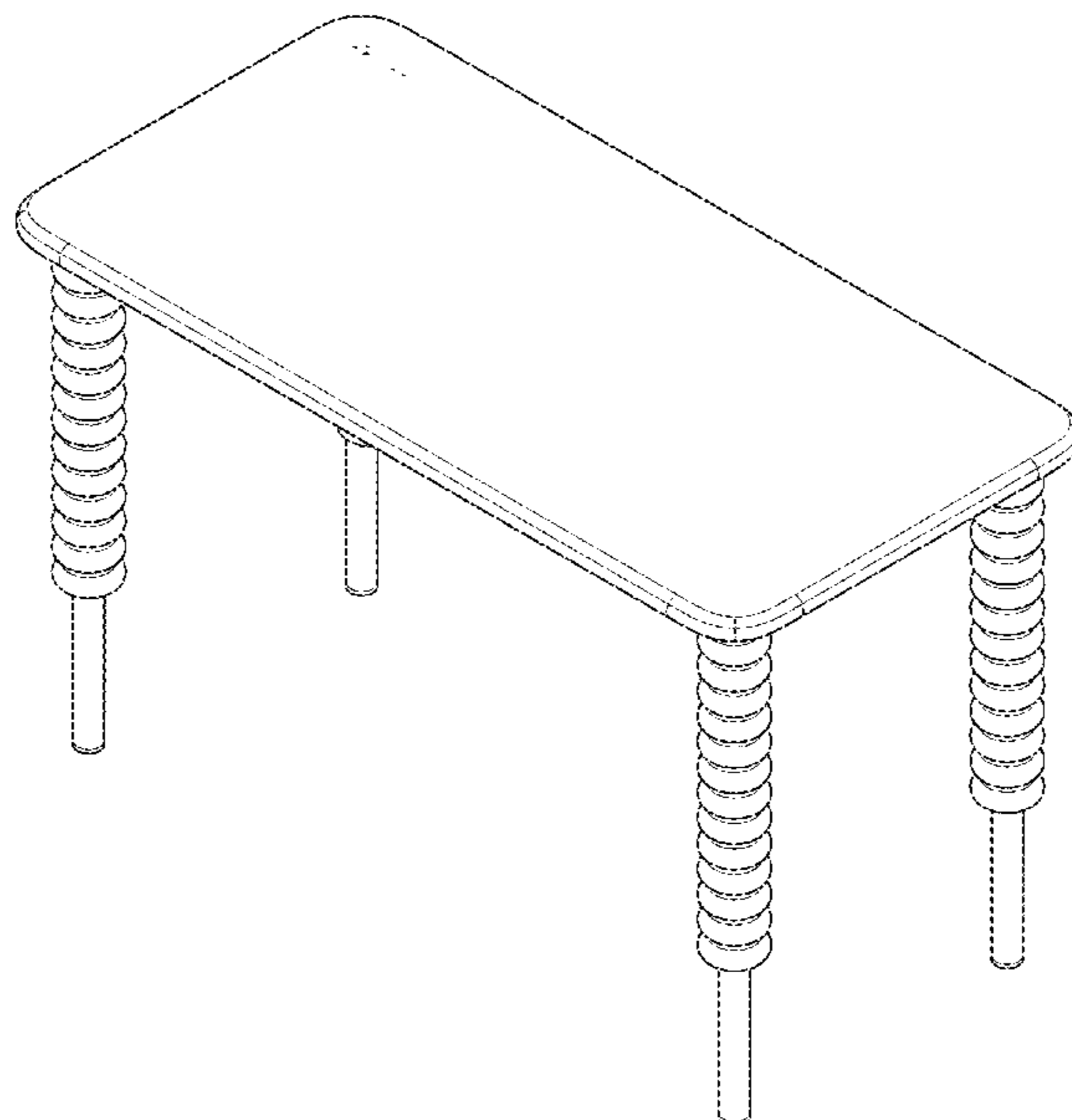
(57) **CLAIM**

The ornamental design for a table, as shown and described.

DESCRIPTION

FIG. 1 is a top plan view of a table, showing a first embodiment of my new design;
FIG. 2 is a top plan view of a table, showing a second embodiment of my new design;
FIG. 3 is a top perspective view of the table as shown in FIG. 1;
FIG. 4 is a top perspective view of the table as shown in FIG. 2;
FIG. 5 is a bottom plan view of the table as shown in FIG. 1;
FIG. 6 is a bottom perspective view of the table as shown in FIG. 1;
FIG. 7 is a cross-section perspective view taken along line 7-7 in FIG. 1;
FIG. 8 is a front elevation view of the table as shown in FIG. 1, with the rear elevation view being identical thereto; and, FIG. 9 is a left side elevation view thereof, with the right side elevation view being identical thereto.
All broken lines form no part of the claimed design.

1 Claim, 9 Drawing Sheets



(56)

References Cited

U.S. PATENT DOCUMENTS

D432,334	S	10/2000	Risdall	
D501,103	S	1/2005	Ashby et al.	
D508,625	S	8/2005	Frenkler et al.	
7,975,627	B2	7/2011	Leng	
D650,612	S	12/2011	Frinier	
8,136,461	B2	3/2012	Leng	
8,550,015	B2	10/2013	Wright	
D723,840	S	3/2015	Scharer et al.	
D749,880	S	2/2016	Polidoros	
D828,061	S	9/2018	Davis et al.	
D855,362	S	8/2019	Tham et al.	
D865,417	S	11/2019	Chavarria	
D878,837	S	3/2020	Reyes	
D917,940	S *	5/2021	Averianov	D6/691.6
2013/0093708	A1	4/2013	Annett et al.	
2015/0019963	A1	1/2015	Park et al.	
2018/0164892	A1	6/2018	Han et al.	
2021/0022490	A1 *	1/2021	Averianov	A47B 21/007

OTHER PUBLICATIONS

“Ikea Linnmon Desk with Adils Legs Multi Purpose Table.” Found online Nov. 19, 2020 at [www.amazon.com](https://www.amazon.com/Linnmon-Adils-Multi-Purpose-Black-brown/dp/BOOEYU3E7I). Product first available Sep. 4, 2013. Retrieved from URL: <https://www.amazon.com/Linnmon-Adils-Multi-Purpose-Black-brown/dp/BOOEYU3E7I> (Year: 2013), 2 pgs.

“Regency 48×30 Height Adjustable Classroom Table.” Found online Nov. 19, 2020 at [www.amazon.com](https://www.amazon.com/Regency-MT4830CHAPBK-Height-Adjustable-Dclassroom/dp/B01IP1JORK?th=1). Product first available Jul. 19, 2016. Retrieved from URL: <https://www.amazon.com/Regency-MT4830CHAPBK-Height-Adjustable-Dclassroom/dp/B01IP1JORK?th=1> (Year: 2016), 2 pgs.

“ReunionG Rectangular Kids Activity Table.” Found on line Nov. 19, 2020 at [www.amazon.com](https://www.amazon.com/ReunionG-Rectangular-Kids-Activity-Table/). Product first available Mar. 14, 2019. Retrieved from URL: <https://tinyurl.com/y2shca5e> (Year: 2019), 2 pgs.

“Olio Designs Spright Series 24×48 Home Office Desk.” Found online Nov. 19, 2020 at [www.amazon.com](https://www.amazon.com/Olio-Designs-Spright-Series-24x48-Home-Office-Desk/). Product first available Aug. 26, 2020. Retrieved from URL: https://www.amazon.com/dp/B08GQ8SVFQ/ref=sbl_dpx_BOOEYU3E7I_O (Year: 2020), 2 pgs.

“Facebook—Norm.” Found on line Nov. 20, 2020 at [www.facebook.com](https://www.facebook.com/thosearenorm/photos/a.715182522255122/718117078628333/?type=3&theater). Image dated Aug. 11, 2019. Retrieved from URL: <https://www.facebook.com/thosearenorm/photos/a.715182522255122/718117078628333/?type=3&theater> (Year 2019), 1 pg.

Non-Final Office Action dated Dec. 7, 2020, for U.S. Appl. No. 29/699,346 (filed Jul. 24, 2019), 11 pgs.

Amendment filed Feb. 19, 2021, for U.S. Appl. No. 29/699,346, filed Jul. 24, 2019, 28 pgs.

Interview Summary dated Feb. 22, 2021, for U.S. Appl. No. 29/699,346, filed Jul. 24, 2019, 29 pgs.

Notice of Allowance dated Mar. 12, 2021, for U.S. Appl. No. 29/699,346, filed Jul. 24, 2019, 5 pgs.

Invitation to Pay Additional Fees dated Sep. 4, 2020, from the ISA/US, for International Application No. PCT/US2020/043026 (filed Jul. 22, 2020), 2 pgs.

* cited by examiner

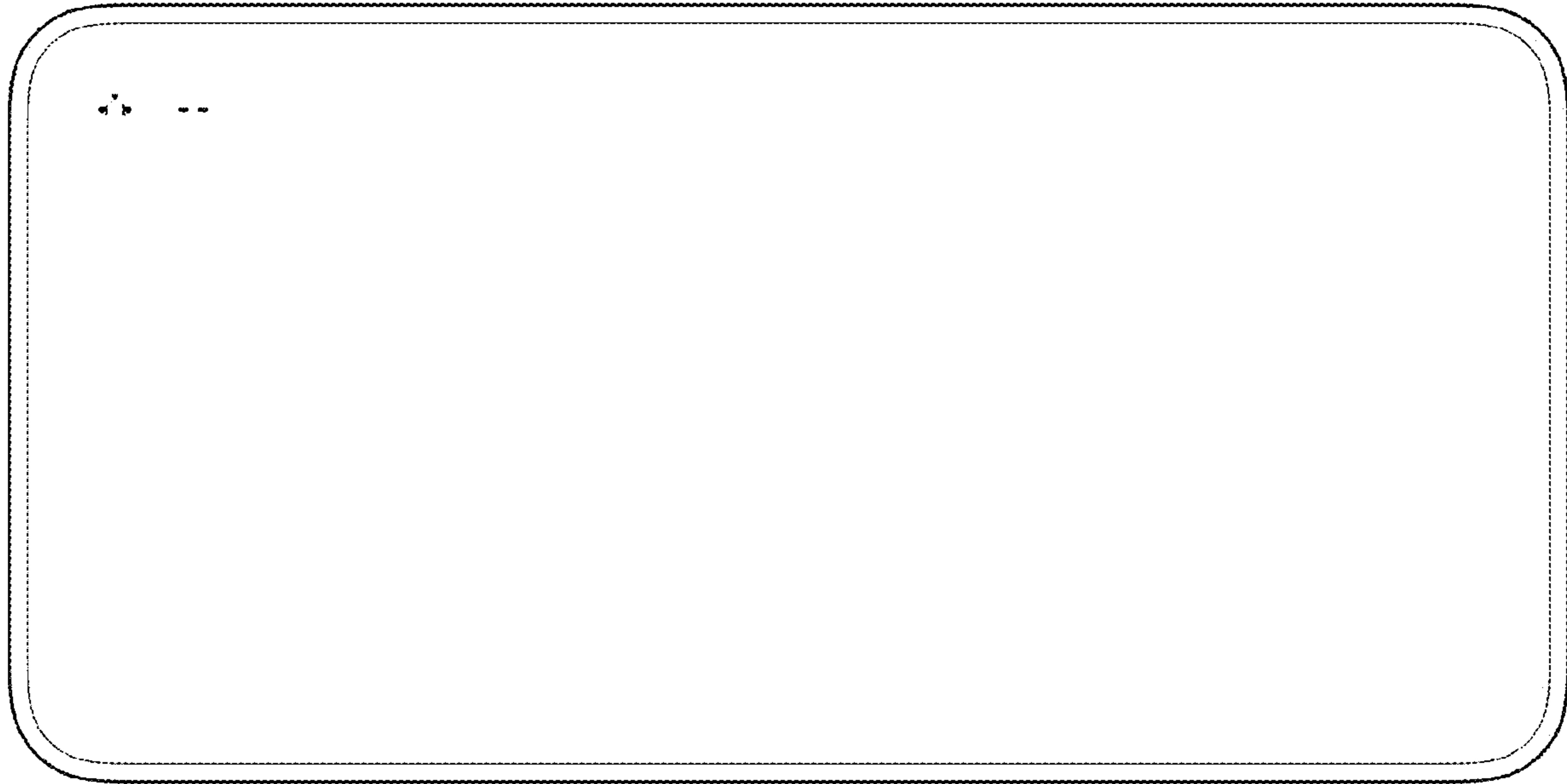


Fig. 1

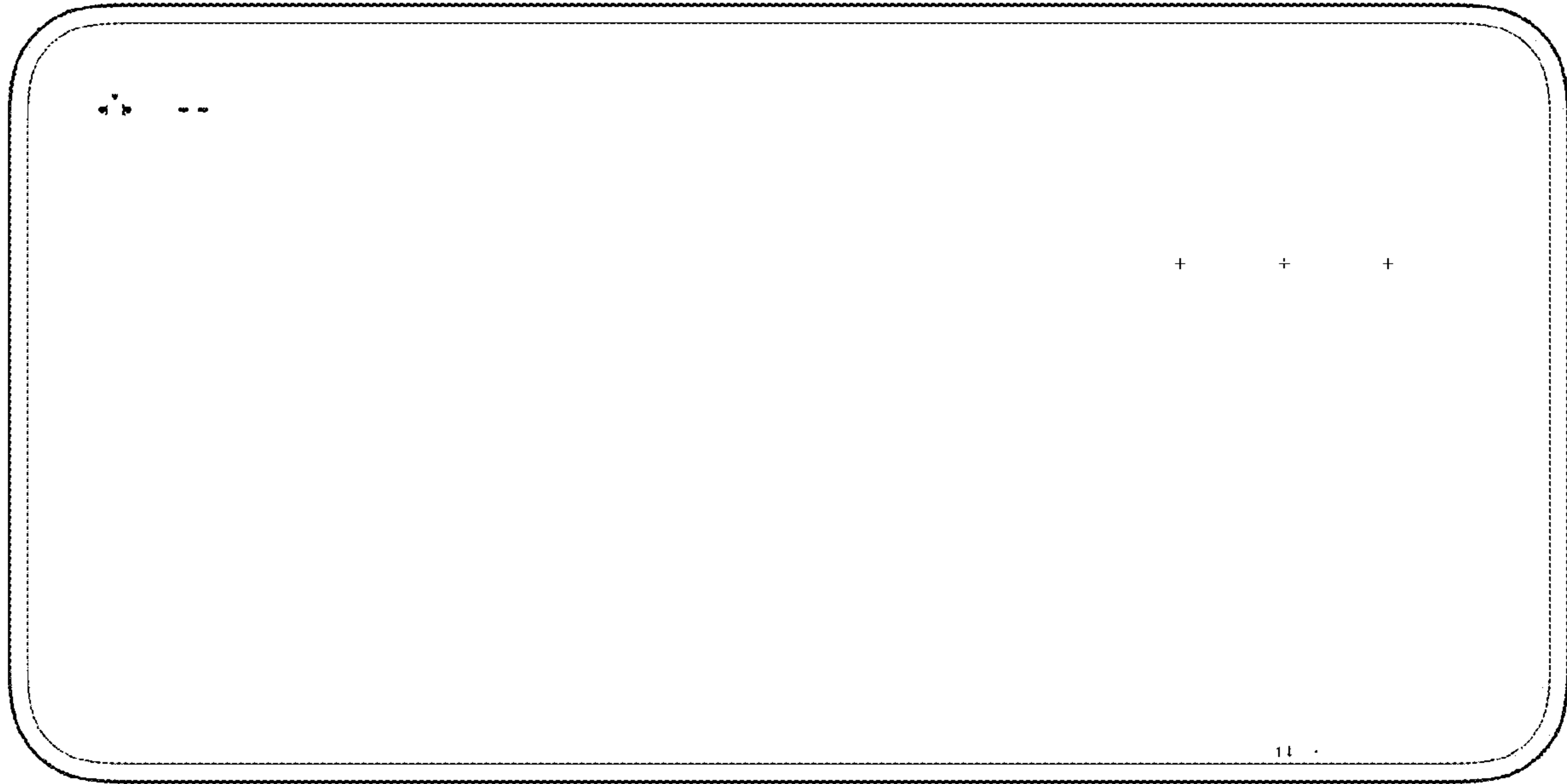


Fig. 2

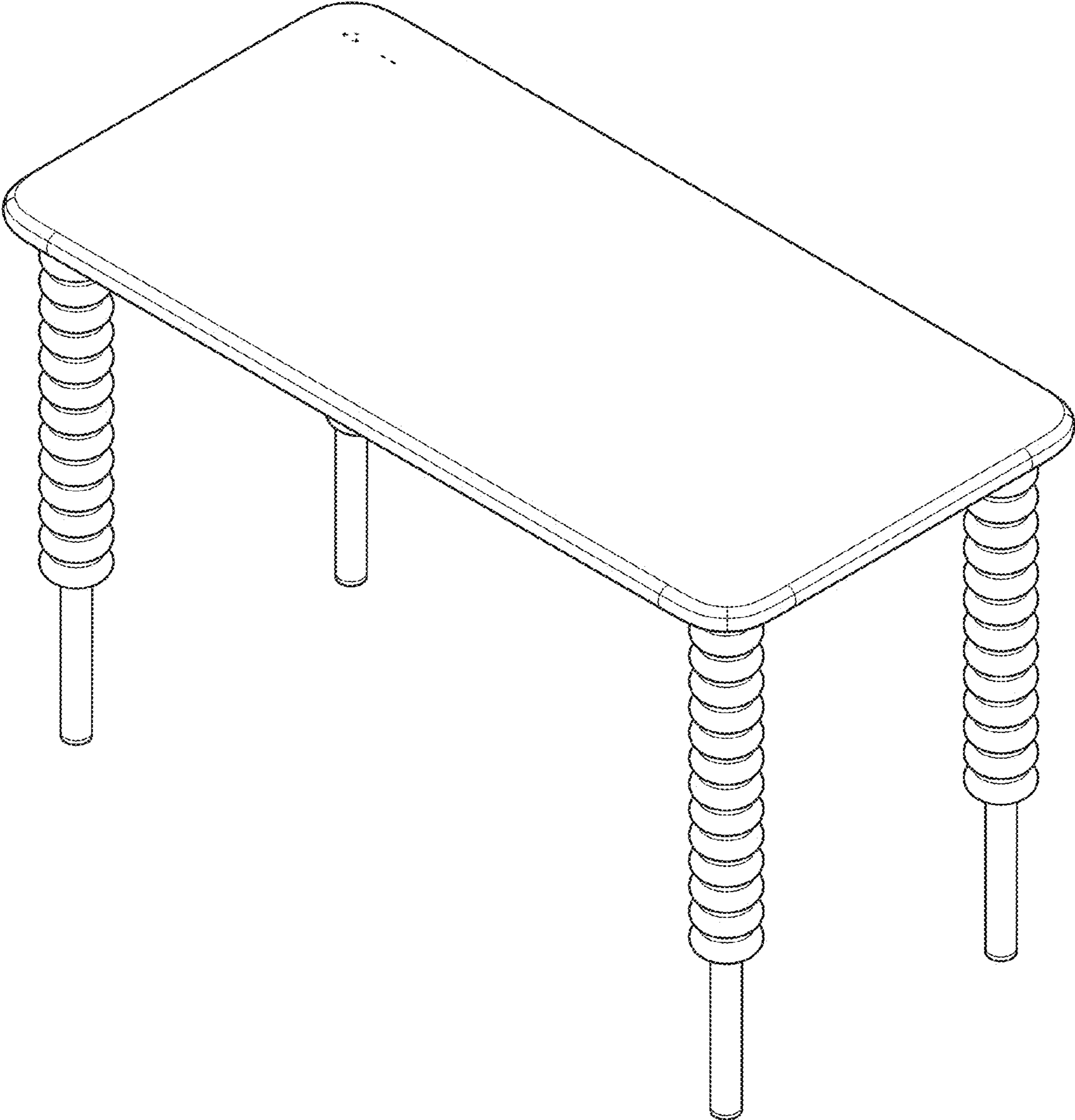


Fig. 3

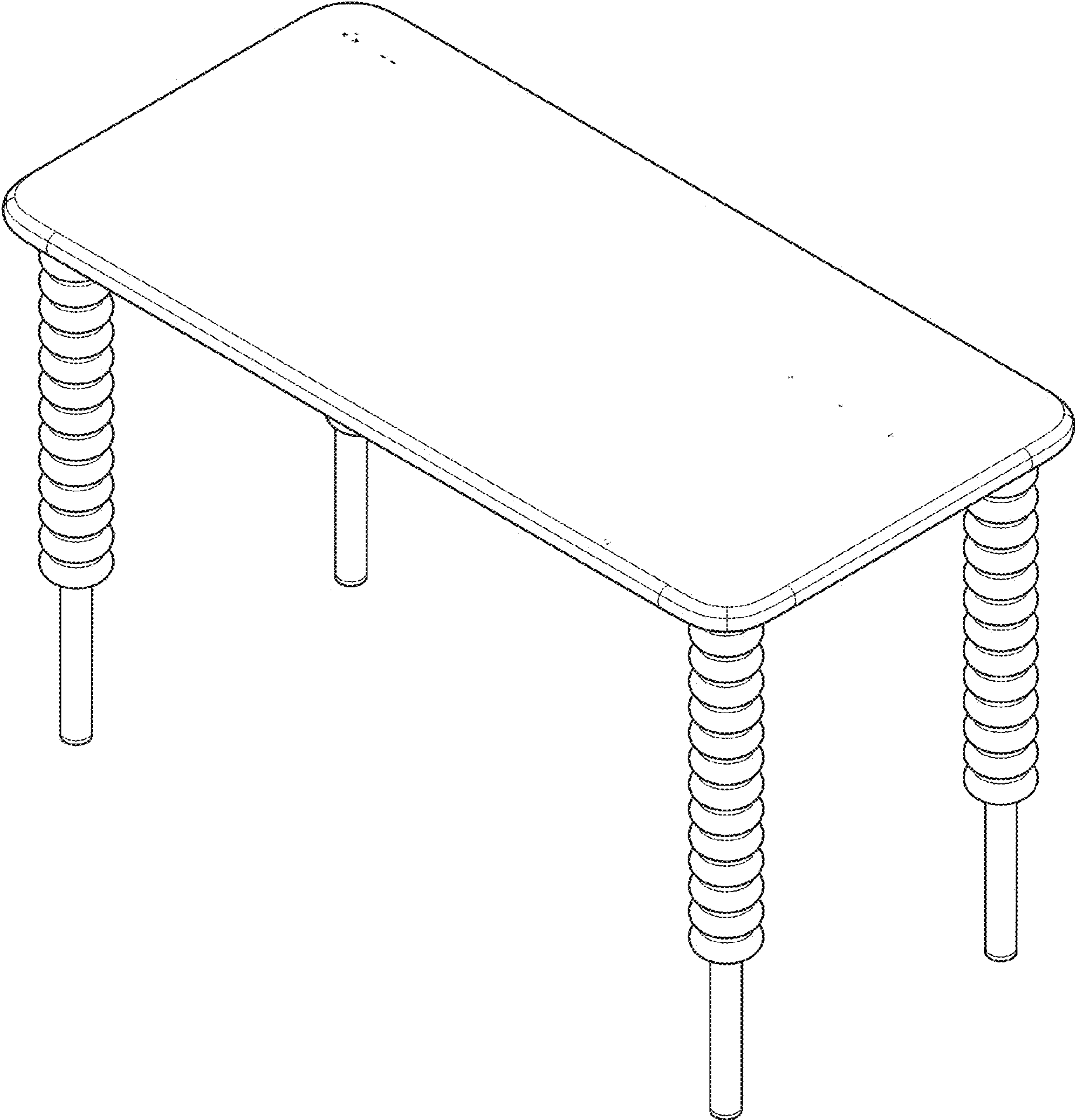


Fig. 4

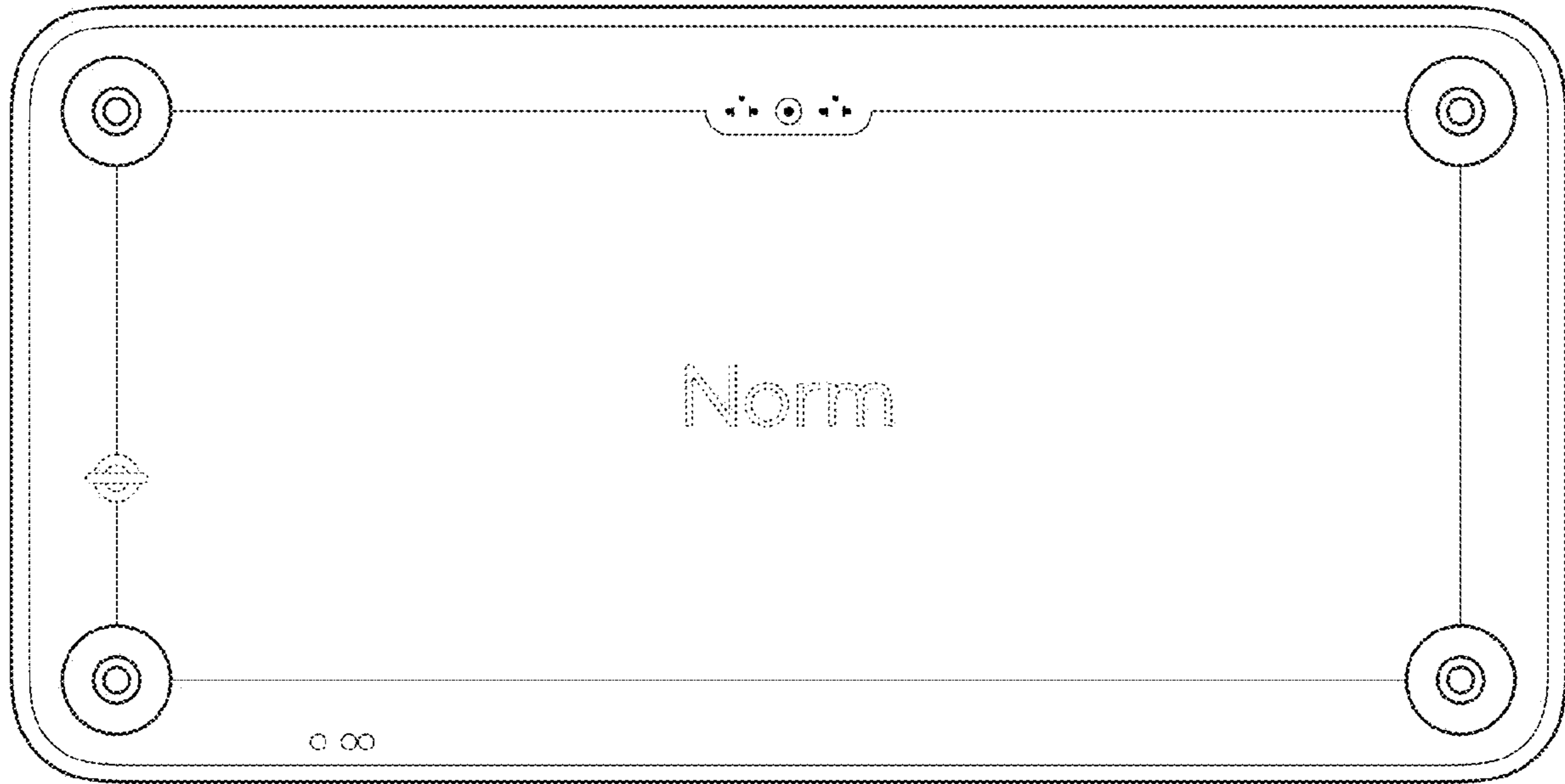


Fig. 5

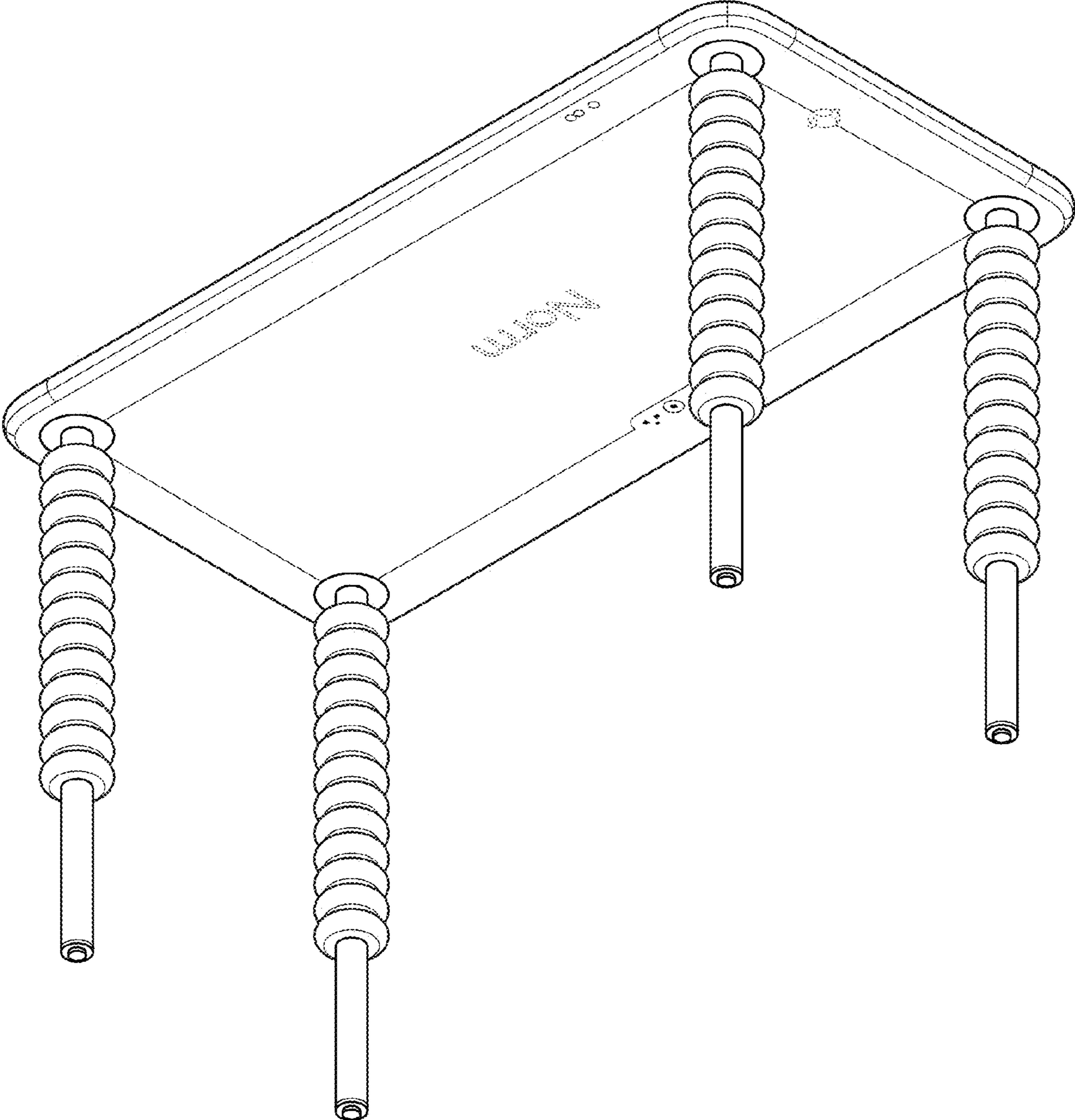


Fig. 6

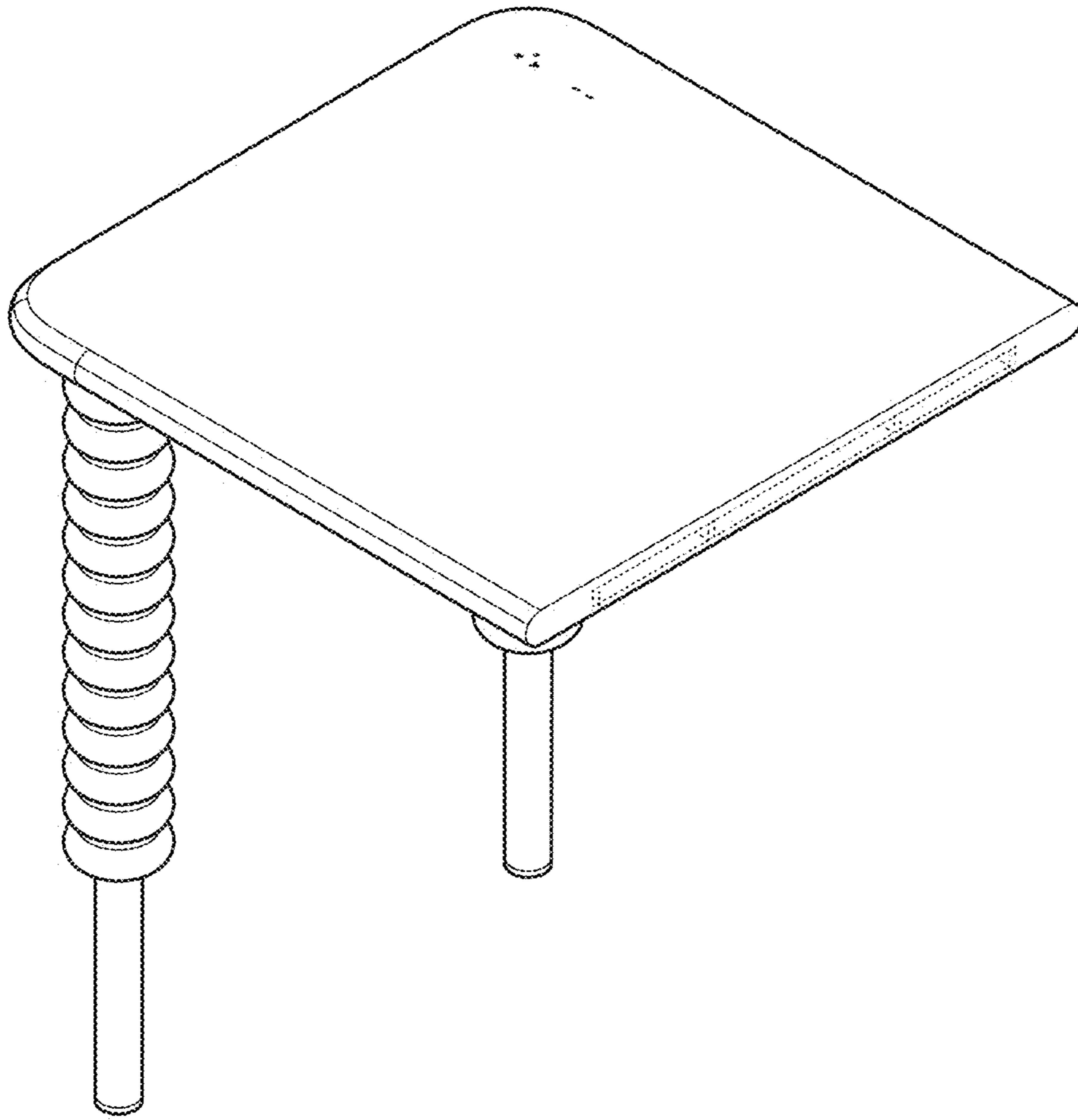


Fig. 7

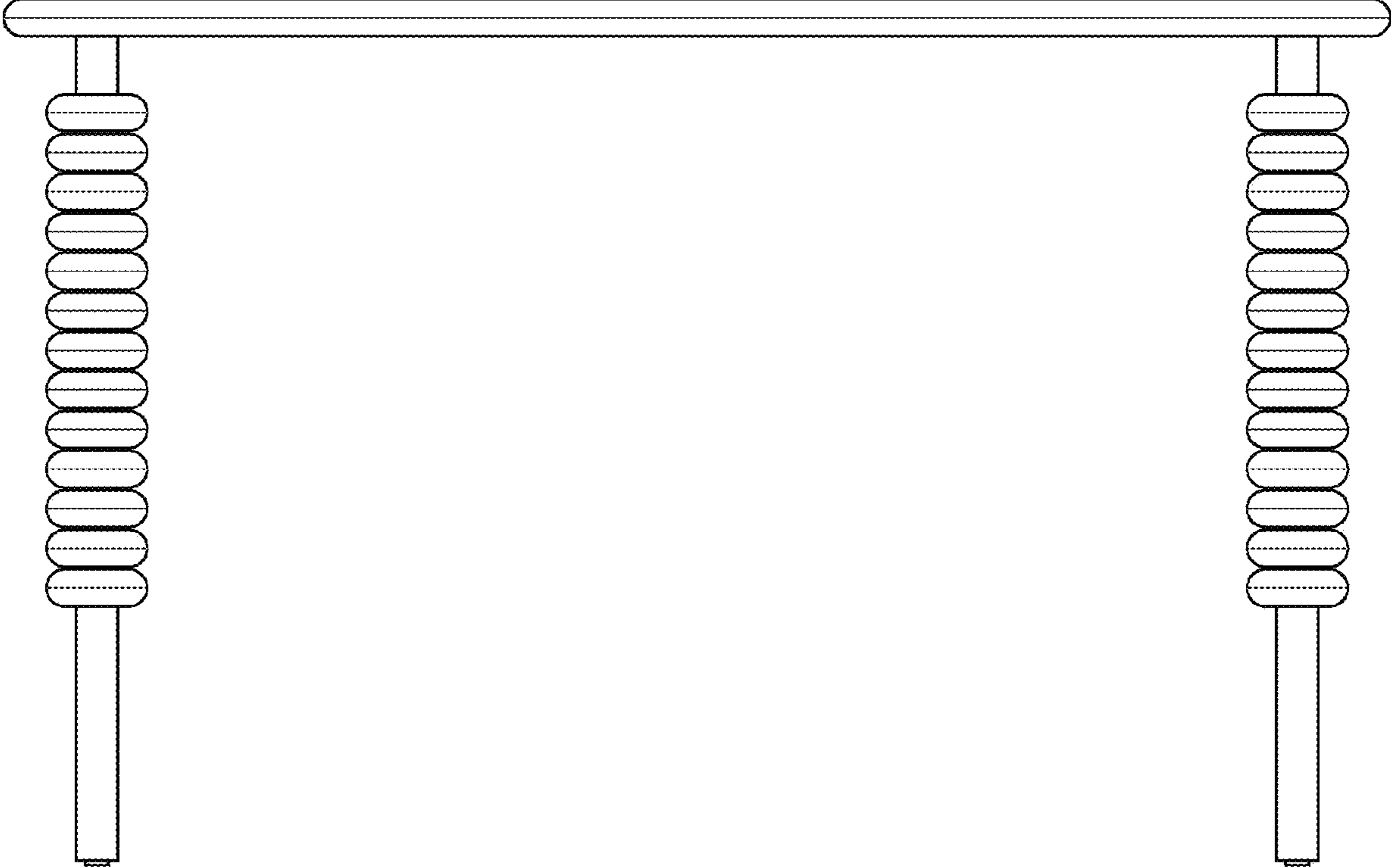


Fig. 8

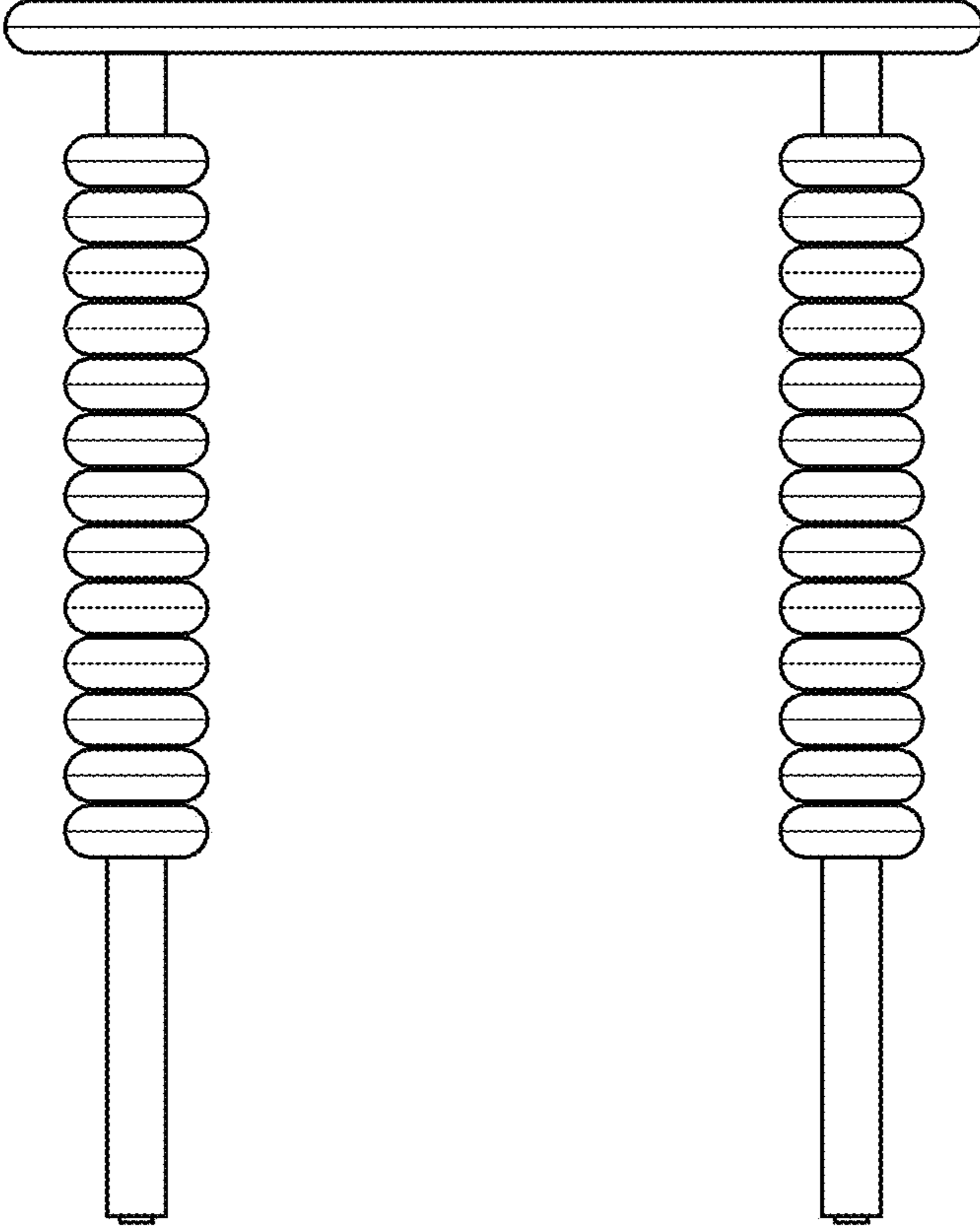


Fig. 9