



US00D944040S

(12) **United States Design Patent**
Holzapfel

(10) **Patent No.:** **US D944,040 S**

(45) **Date of Patent:** **** Feb. 22, 2022**

(54) **STORAGE FURNITURE**
(71) Applicant: **Julius Blum GmbH**, Hochst (AT)
(72) Inventor: **Andreas Holzapfel**, Bregenz (AT)
(73) Assignee: **JULIUS BLUM GMBH**, Hoechst (AT)
(**) Term: **15 Years**

812,713 A * 2/1906 Zeigler et al. A47F 3/06
312/127
934,239 A * 9/1909 Trost et al. A47B 96/00
312/109
1,009,755 A * 11/1911 Lange et al. A47F 3/06
312/127
1,102,060 A * 6/1914 Leach et al. A47F 3/005
312/114
1,640,870 A * 8/1927 Asplund A47F 3/005
217/58

(Continued)

(21) Appl. No.: **35/509,342**

(22) Filed: **Nov. 11, 2019**

(80) **Hague Agreement Data**

Int. Filing Date: **Nov. 11, 2019**
Int. Reg. No.: **DM/205993**
Int. Reg. Date: **Nov. 11, 2019**
Int. Reg. Pub. Date: **May 15, 2020**

OTHER PUBLICATIONS

Modern small display Cabinet, Woodworking with DIY tools,
youtube.com, https://www.youtube.com/watch?v=-6S1u7W_Tt8 (Year:
2017).*

(Continued)

(30) **Foreign Application Priority Data**

May 16, 2019 (EM) 006473583

(51) **LOC (13) Cl.** **06-04**

(52) **U.S. Cl.**
USPC **D6/657**

(58) **Field of Classification Search**

USPC D6/654, 654.1, 657, 660, 661, 663, 672,
D6/675

CPC A47B 43/00; A47B 43/003; A47B 47/04;
A47B 63/00; A47B 96/20; A47F 3/00;
A47F 3/005; A47F 3/007; A47F
2003/008; A47F 5/08; E05D 7/0407

See application file for complete search history.

(56) **References Cited**

U.S. PATENT DOCUMENTS

646,129 A * 3/1900 Rockwell et al. A47B 96/00
312/109
702,348 A * 6/1902 Forster et al. E06B 3/5045
312/109
749,264 A * 1/1904 Cree et al. E06B 3/5045
312/109

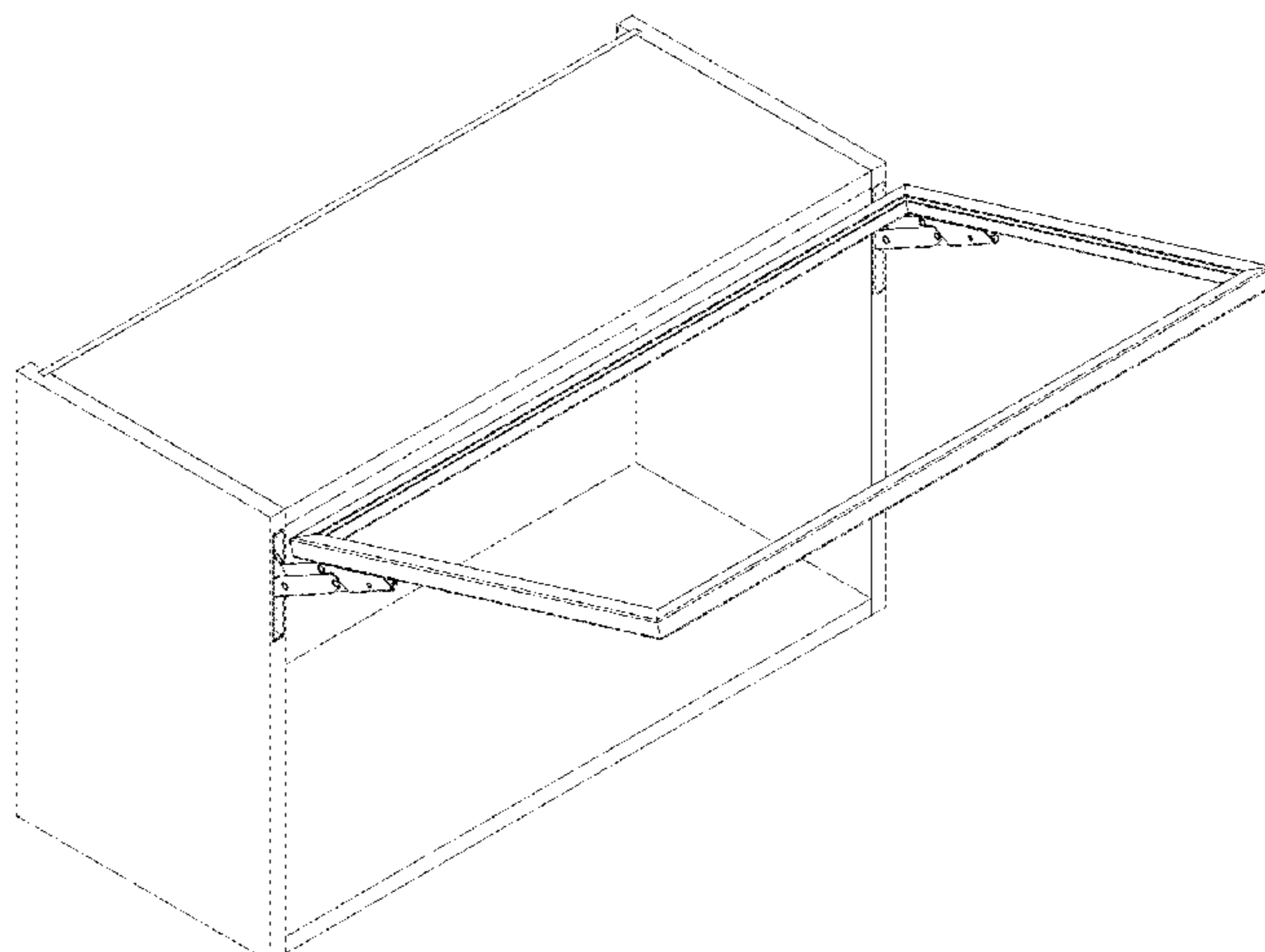
(57) **CLAIM**

The ornamental design for storage furniture, as shown and
described.

DESCRIPTION

1.1 is a perspective view of the storage furniture;
1.2 is a left side view thereof;
1.3 is a right side view thereof;
1.4 is a rear view thereof;
1.5 is a front view thereof;
1.6 is a top view thereof;
1.7 is a bottom view thereof;
2 is a perspective view of the storage furniture;
3.1 is a perspective view of the storage furniture; and
3.2 is a perspective view of the storage furniture, shown in
a closed configuration.
The broken lines shown in the drawings form no part of the
claimed design.

1 Claim, 10 Drawing Sheets



(56)

References Cited

U.S. PATENT DOCUMENTS

1,882,345 A * 10/1932 Upham A47F 3/00
 312/125
 D181,285 S * 10/1957 Gaines et al. D6/660
 D243,908 S * 4/1977 Neff D6/675
 D285,632 S * 9/1986 Axhamre D18/59
 4,993,783 A * 2/1991 Omholt A47F 3/00
 312/119
 D356,908 S * 4/1995 Johansson D6/661
 D434,579 S * 12/2000 Rabb D6/663
 D446,055 S * 8/2001 Lucht D6/703
 6,685,283 B2 * 2/2004 Gembar A47F 3/00
 248/176.1
 D529,314 S * 10/2006 Tako D6/675
 D555,392 S * 11/2007 Grozinger D6/663
 D557,955 S * 12/2007 Parshad D6/559
 D587,495 S * 3/2009 Levinger D3/295
 8,104,850 B2 * 1/2012 Hager A47B 96/068
 312/245
 D666,433 S * 9/2012 Williams D6/661
 D672,574 S * 12/2012 Wilson, Jr. D6/663
 D735,499 S * 8/2015 Stein D6/663
 D742,661 S * 11/2015 Stein D6/663
 9,258,911 B2 * 2/2016 Cox H05K 7/1488
 9,498,062 B2 * 11/2016 Baldreich E05F 1/1058
 9,506,283 B2 * 11/2016 Folie E02D 5/80

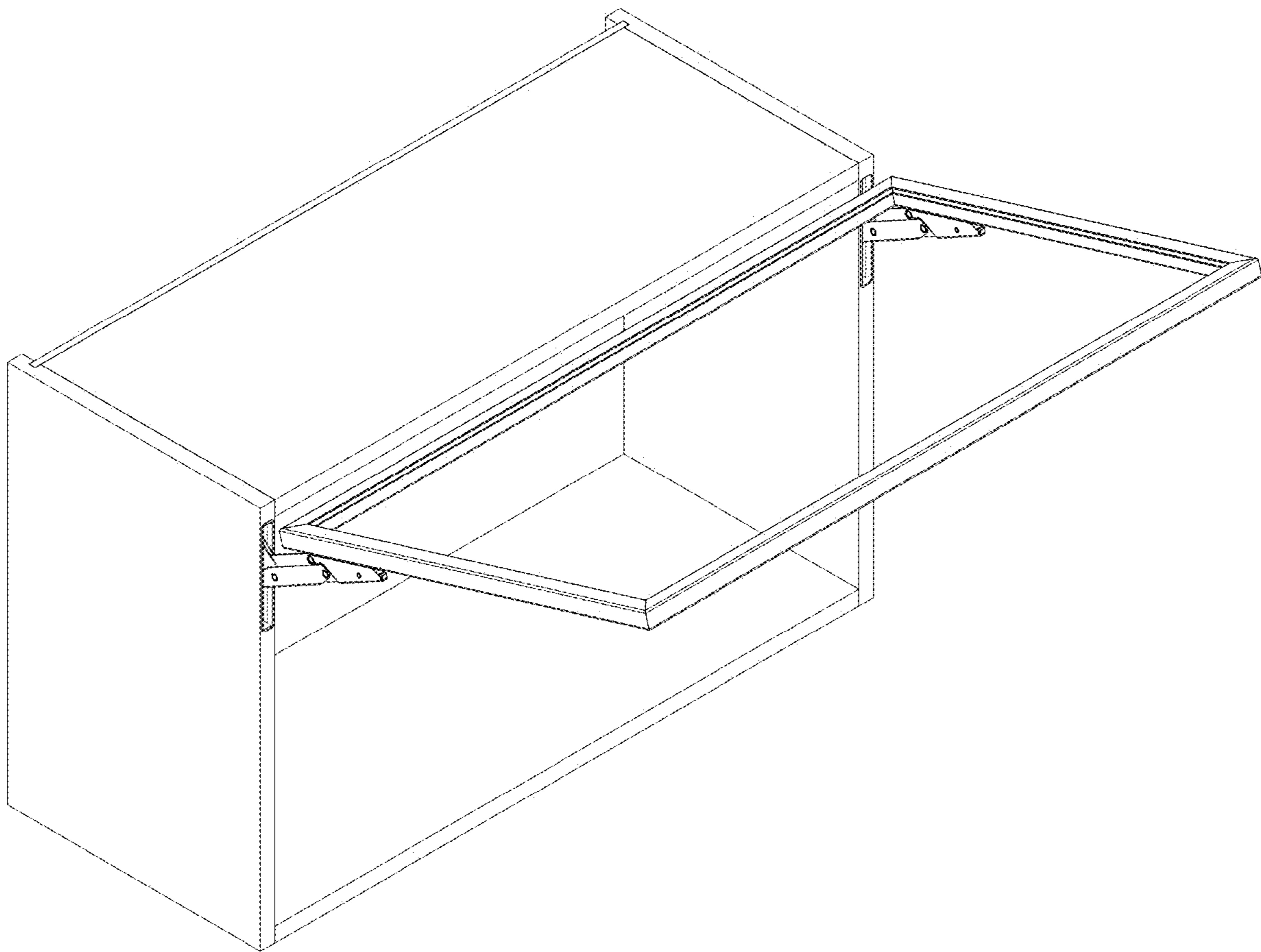
9,903,145 B2 * 2/2018 Huber E05F 1/105
 D829,024 S * 9/2018 Mejia D6/661
 D846,316 S * 4/2019 Mandon D6/661
 D870,493 S * 12/2019 Young D6/663
 10,494,846 B2 * 12/2019 Schmid E05D 11/1007
 10,590,692 B2 * 3/2020 Bohle E05F 15/63
 10,646,057 B2 * 5/2020 Charlier A47F 3/007
 10,662,690 B2 * 5/2020 Schluge E05F 1/1253
 D894,643 S * 9/2020 Bashkin A47B 96/00
 D6/671
 10,900,269 B2 * 1/2021 Holzapfel E05F 1/1058
 10,968,672 B2 * 4/2021 Schmid E05F 1/14
 2012/0169196 A1 * 7/2012 Marchetti E06B 3/721
 312/265.6
 2019/0234127 A1 * 8/2019 Bendefy E05F 1/1083

OTHER PUBLICATIONS

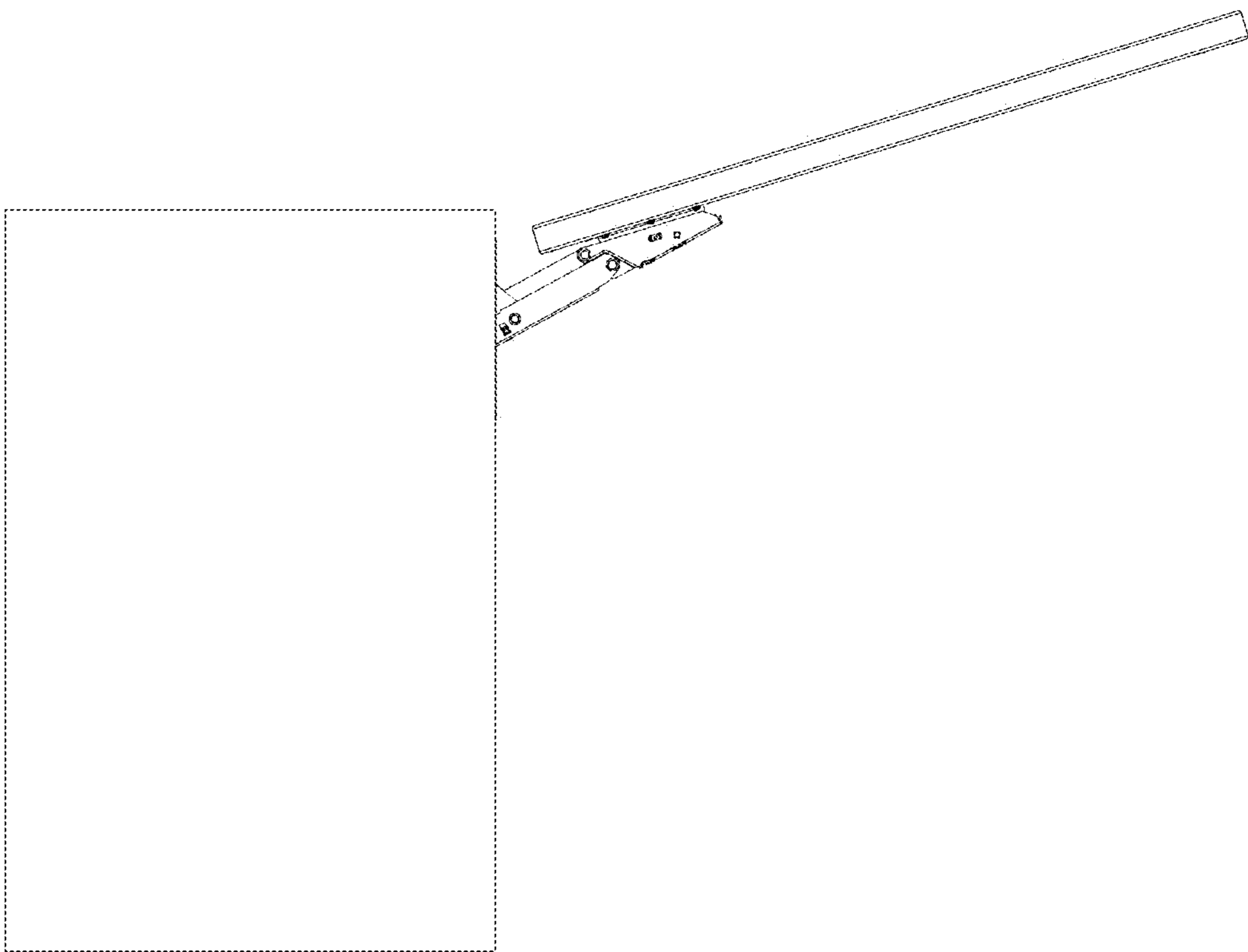
Shaker Assembled 30x15x14 in. Wall Bridge Cabinet with Frosted Glass Lift-Up Door in Vanilla White, J Collection, homedepot.com, <https://www.homedepot.com/p/J-COLLECTION-Shaker-Assembled-30x15x14-in-Wall-Bridge-Cabinet-with-Frosted-Glass-Lift-Up-Door-in-Vanilla-White-WLUG3015-WS/310343730> (Year: 2021).*
 Blum Collection, Section 5 blum, issuu.com, https://issuu.com/pws-kitchens/docs/05_blum_high (Year: 2018).*

* cited by examiner

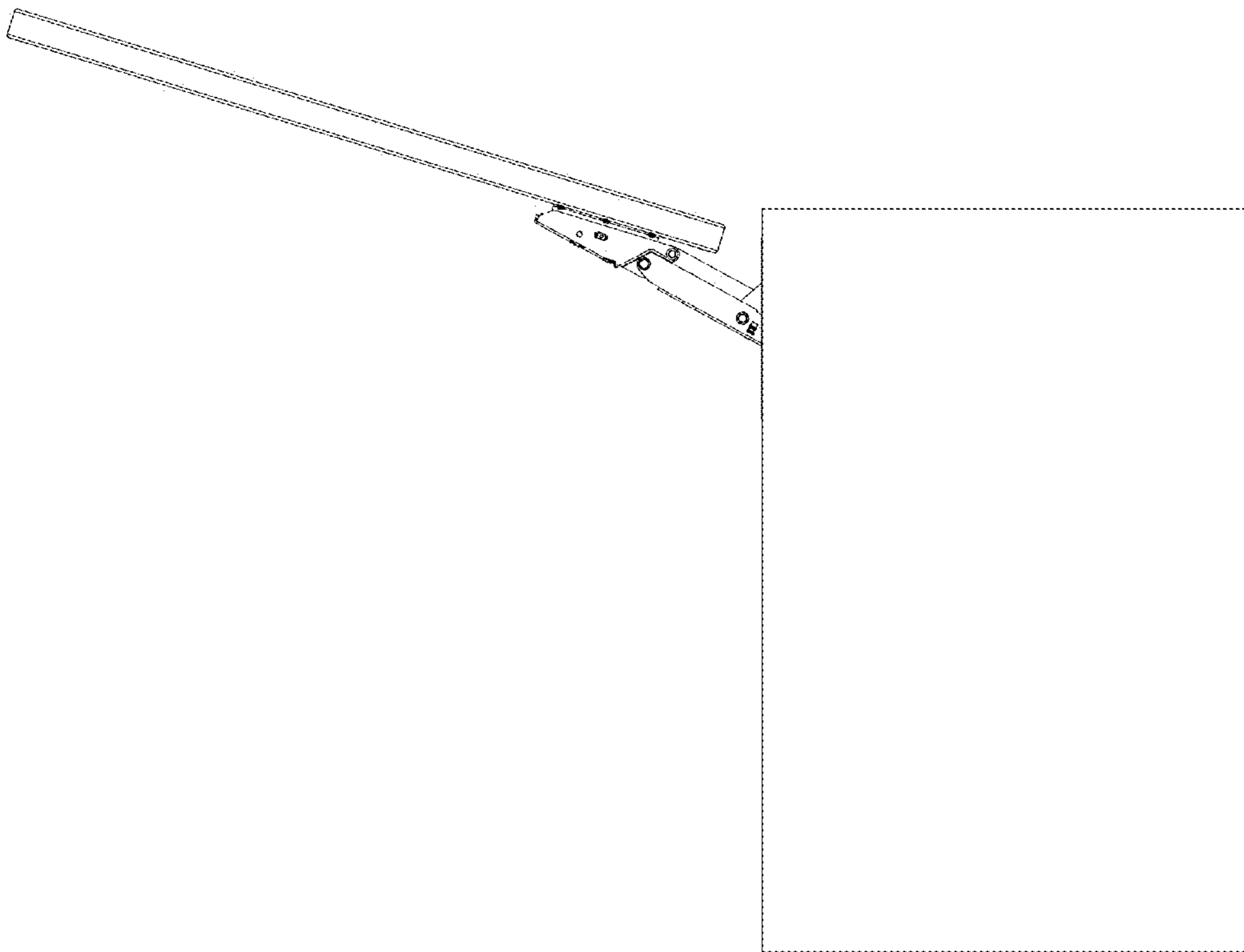
1.1



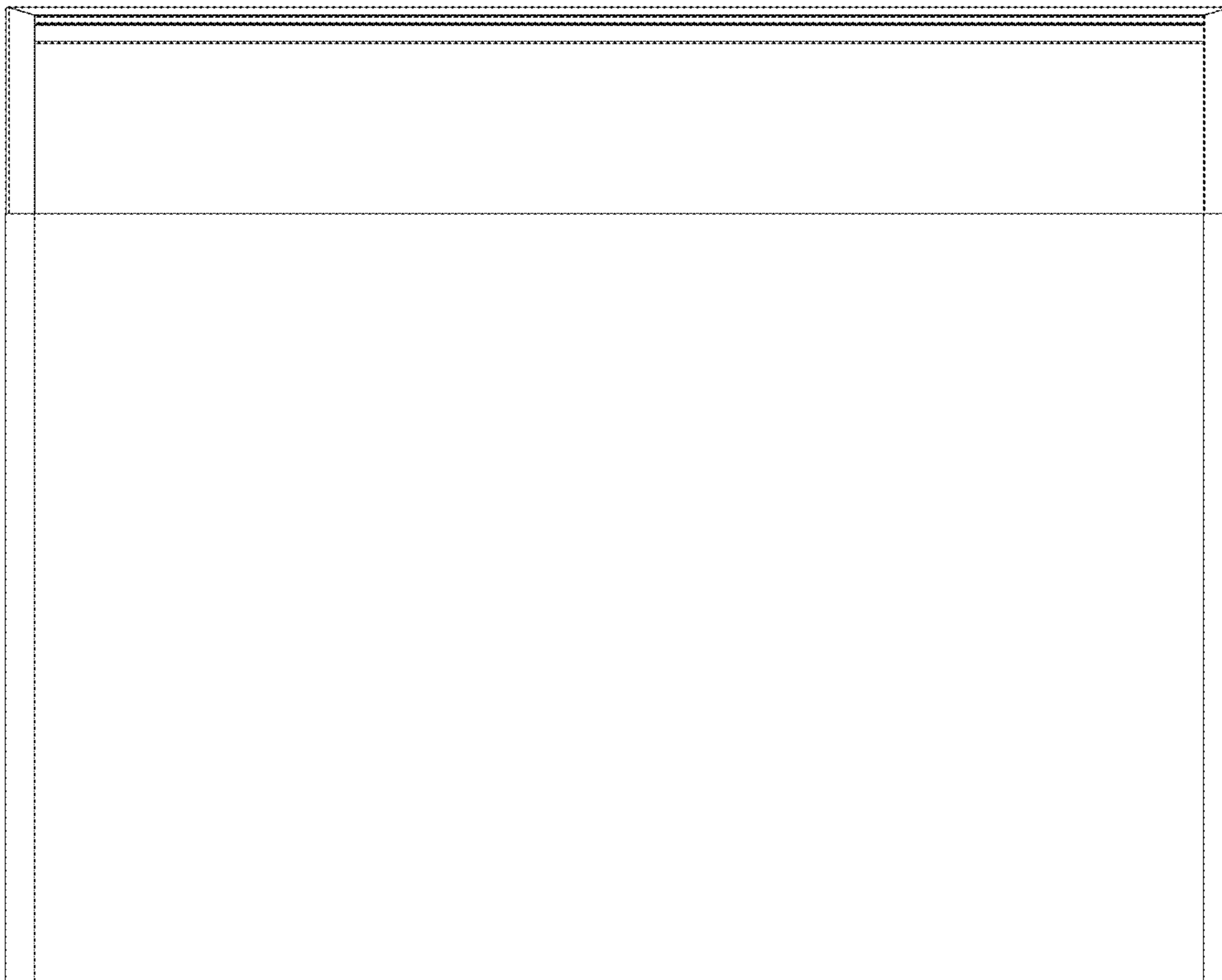
1.2



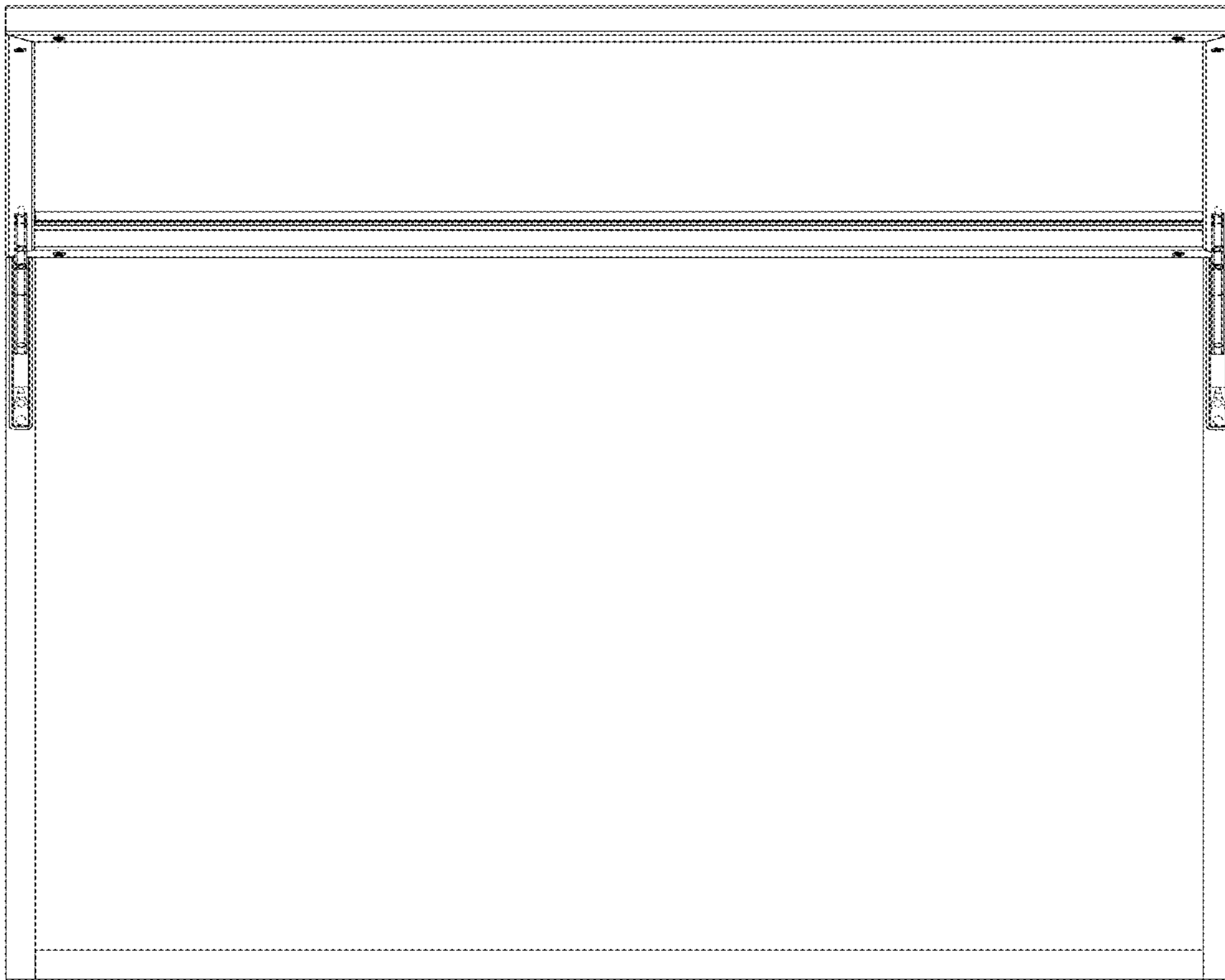
1.3



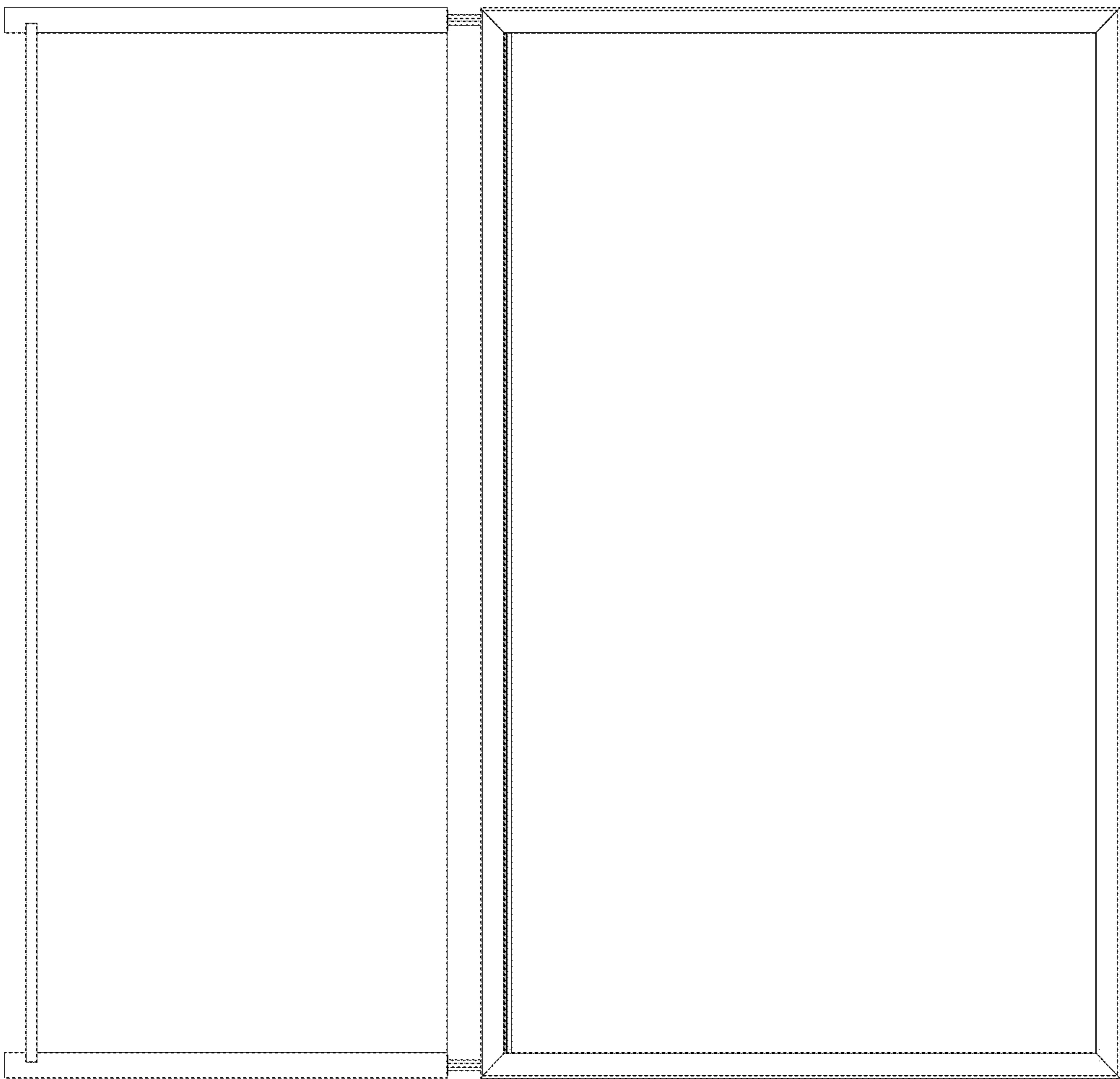
1.4



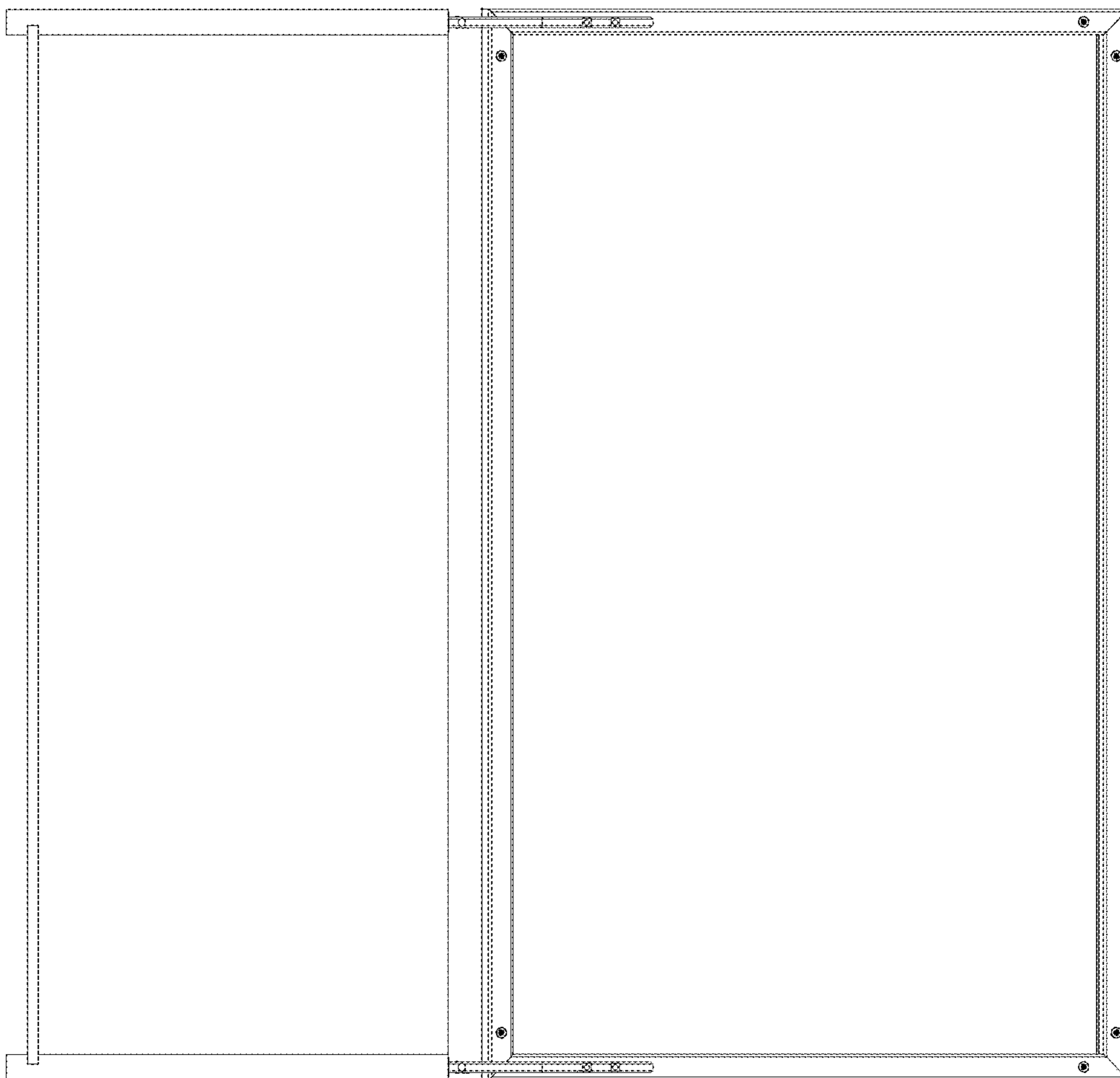
1.5



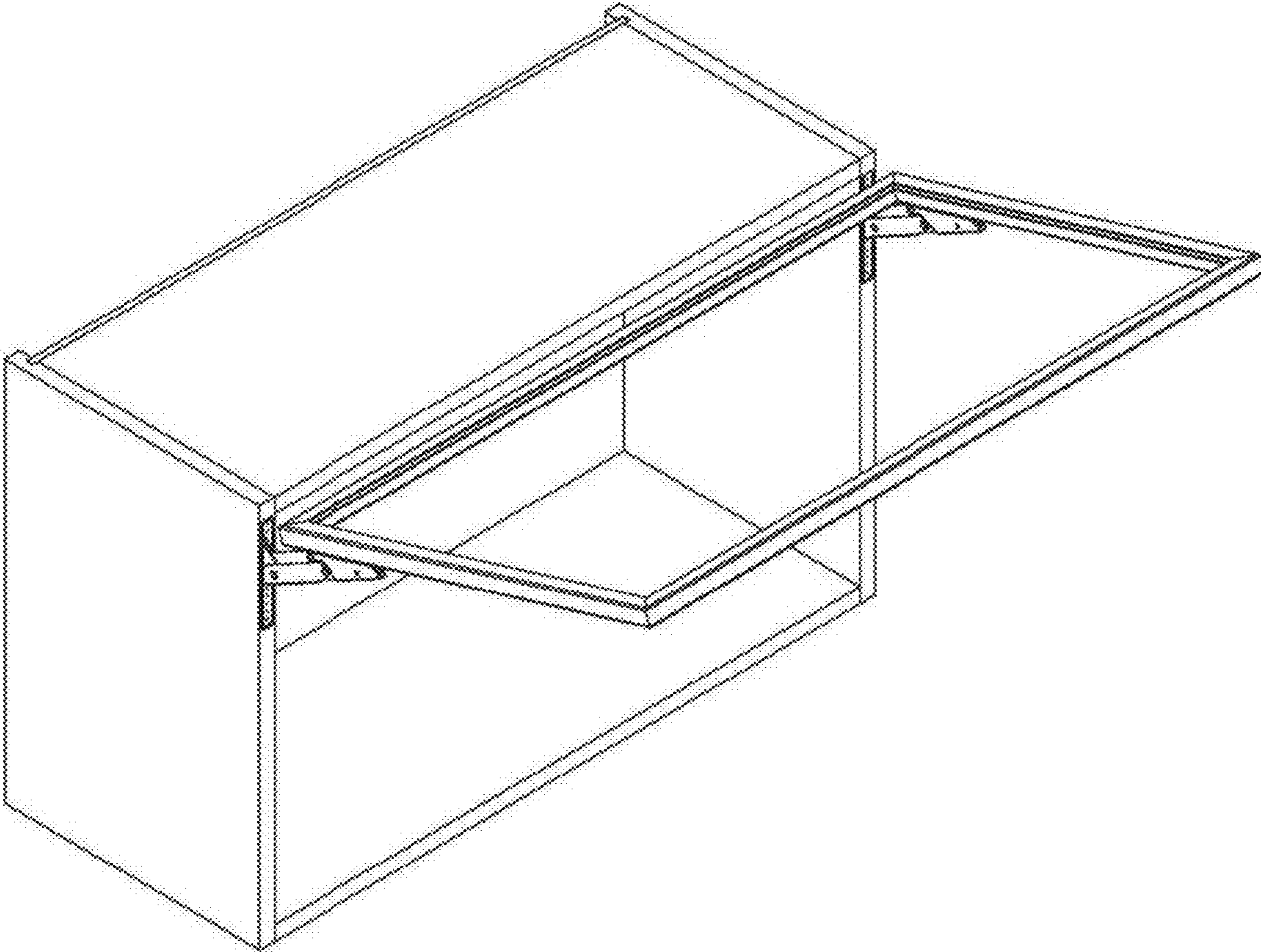
1.6



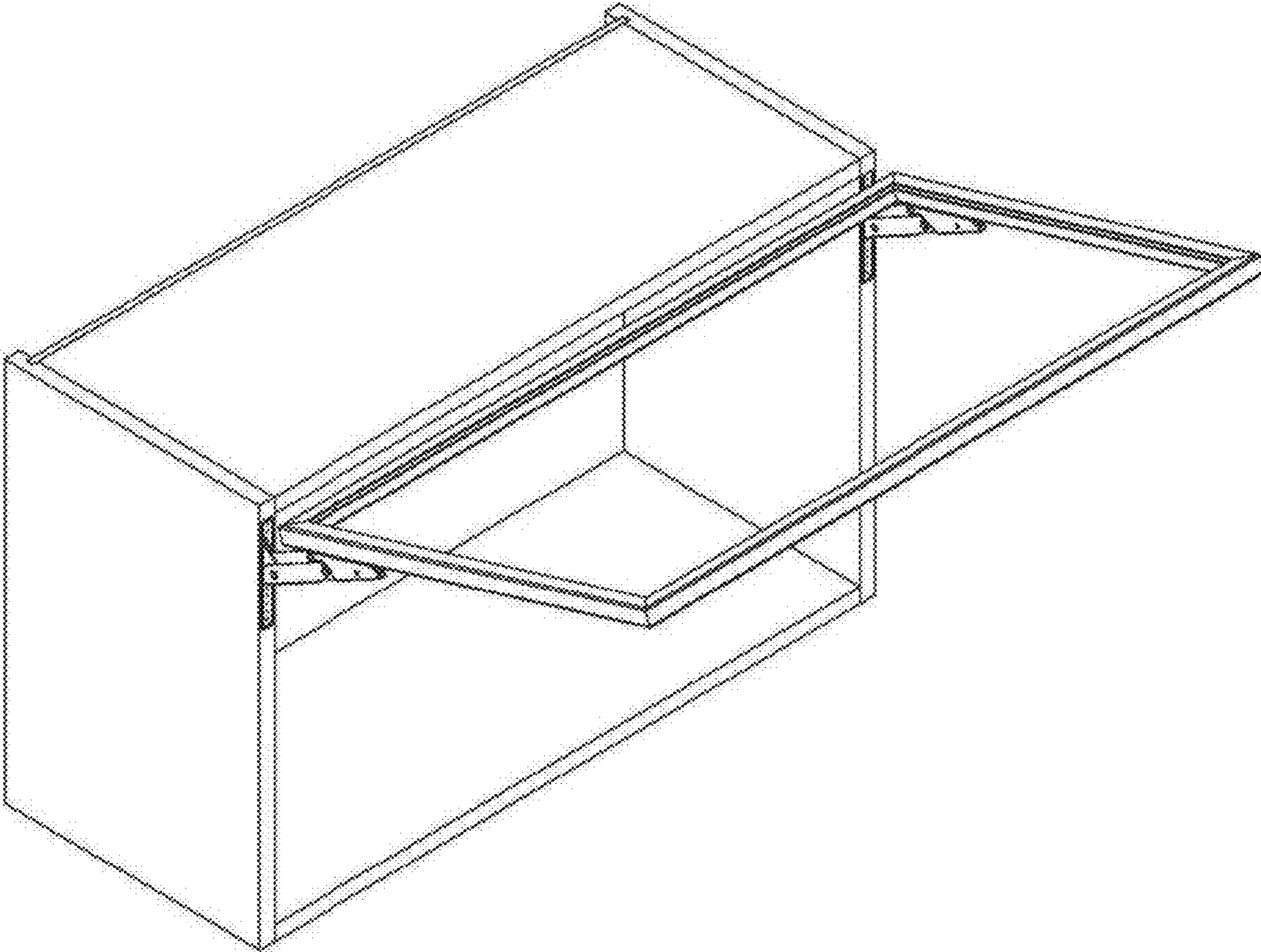
1.7



2



3.1



3.2

