



US00D944039S

(12) **United States Design Patent**
Shi

(10) **Patent No.:** **US D944,039 S**

(45) **Date of Patent:** **** Feb. 22, 2022**

(54) **LAPTOP STAND**

(71) Applicant: **American Epsilon Inc.**, Temple, CA
(US)

(72) Inventor: **Qi Shi**, Jieyang (CN)

(**) Term: **15 Years**

(21) Appl. No.: **29/753,123**

(22) Filed: **Sep. 30, 2020**

(51) **LOC (13) Cl.** **06-03**

(52) **U.S. Cl.**
USPC **D6/655**; D14/447

(58) **Field of Classification Search**
USPC D6/655, 656.11, 709; D14/447
CPC A47B 23/043; A47B 2021/0321; A47B
21/02; A47B 21/0314; A47B 2200/0041;
A47B 2200/0056; A47B 9/16; F16M
11/38

See application file for complete search history.

(56) **References Cited**

U.S. PATENT DOCUMENTS

D624,922 S	10/2010	Hui	
D683,348 S	5/2013	Xiang et al.	
8,800,937 B1 *	8/2014	Lee	A47B 23/043 248/65
D733,155 S	6/2015	van Hooff et al.	
9,961,991 B1 *	5/2018	Chen	A47B 9/16
D830,739 S *	10/2018	Min	D6/655
D841,369 S *	2/2019	Hu	D6/655
D843,137 S *	3/2019	Hu	D6/655
D845,037 S *	4/2019	Min	D6/655
D864,619 S *	10/2019	Hu	D6/655
D870,490 S *	12/2019	Hu	D6/655
D878,813 S *	3/2020	Knapp	D6/655
D881,609 S *	4/2020	Hu	D6/655
D881,610 S *	4/2020	Hu	D6/655
D882,986 S *	5/2020	Knapp	D6/655
D885,087 S *	5/2020	Knapp	D6/655

D893,919 S *	8/2020	Hu	D6/656.11
D898,748 S *	10/2020	Ma	D14/447
D901,959 S *	11/2020	Chang	D6/709
D903,689 S *	12/2020	Zheng	D14/447
D904,416 S *	12/2020	Xu	D14/447
D907,640 S *	1/2021	Huang	D14/447
D907,644 S *	1/2021	Li	D14/447

(Continued)

OTHER PUBLICATIONS

“AWAVO Aluminum Ergonomic Desktop Laptop Stand.” Found online May 21, 2021 at www.amazon.com. Product first available Jun. 17, 2020. Retrieved from URL: https://www.amazon.com/-/es/dp/B0894P831S/ref=twister_B094DF24Z8?_encoding=UTF8&th=1 (Year: 2020).*

(Continued)

Primary Examiner — Mary Ann Calabrese
Assistant Examiner — Katelin G Kloberg

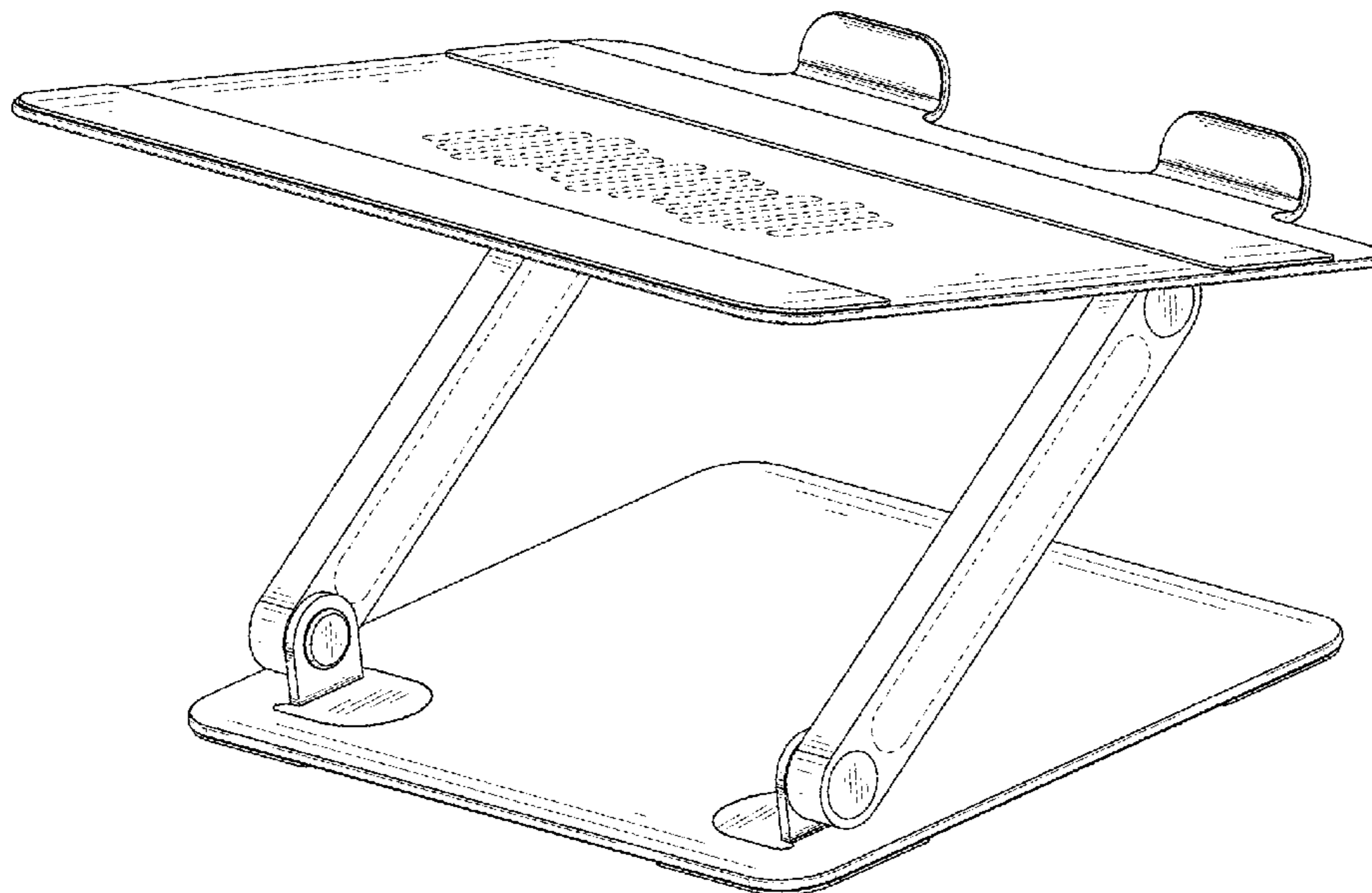
(57) **CLAIM**

The ornamental sign for a laptop stand, as shown and described.

DESCRIPTION

FIG. 1 is a top, front, right side perspective view of a laptop stand, showing my new design;
FIG. 2 is a bottom, rear, left side perspective view thereof;
FIG. 3 is a front view thereof;
FIG. 4 is a back view thereof;
FIG. 5 is a left side view thereof;
FIG. 6 is a right side view thereof;
FIG. 7 is a top view thereof; and,
FIG. 8 is a bottom view thereof.
The broken lines shown in the drawings depict portions of the laptop stand in which the design is embodied that form no part of the claimed design.

1 Claim, 8 Drawing Sheets



(56)

References Cited

U.S. PATENT DOCUMENTS

D916,531 S * 4/2021 Failing D6/656.11

OTHER PUBLICATIONS

“Laptop Stand, Adjustable EPN, Multi-Angle Laptop Riser.” Found online May 21, 2021 at www.amazon.com. Product first available Jul. 2, 2020. Retrieved from URL: <https://tinyurl.com/4ha8nmmd> (Year: 2020).*

“Nulaxy Ergonomic Height Adjustable Angle Laptop Stand.” Found online May 21, 2021 at www.amazon.com. Product first available Nov. 10, 2017. Retrieved from URL: <https://tinyurl.com/yxndn4mb> (Year: 2017).*

“Boyata Adjustable Laptop Stand.” Found online May 21, 2021 at www.amazon.com. Product first available Jul. 16, 2019. Retrieved from URL: <https://www.amazon.com/Adjustable-Slide-Proof-Silicone-Protective-Compatible/dp/B07VD5F83T> (Year: 2019).*

“Laptop Stand.” Found online May 21, 2021 at www.amazon.com. Product first available May 19, 2020. Retrieved from URL: <https://tinyurl.com/yuydwfvn> (Year: 2020).*

“Hosaud Aluminum Laptop Stand.” Found online May 21, 2021 at www.amazon.com. Product first available Sep. 10, 2020. Retrieved from URL: <https://tinyurl.com/ys8kdbdr> (Year: 2020).*

“Adjustable Laptop Stand.” Found online May 21, 2021 at www.amazon.com. Product first available Sep. 11, 2020. Retrieved from URL: <https://tinyurl.com/6j42uj6x> (Year: 2020).*

“Adjustable Laptop Stand.” Found online May 21, 2021 at www.amazon.com. Product first available Feb. 3, 2021. Retrieved from URL: <https://tinyurl.com/cbv9px7t> (Year: 2021).*

* cited by examiner

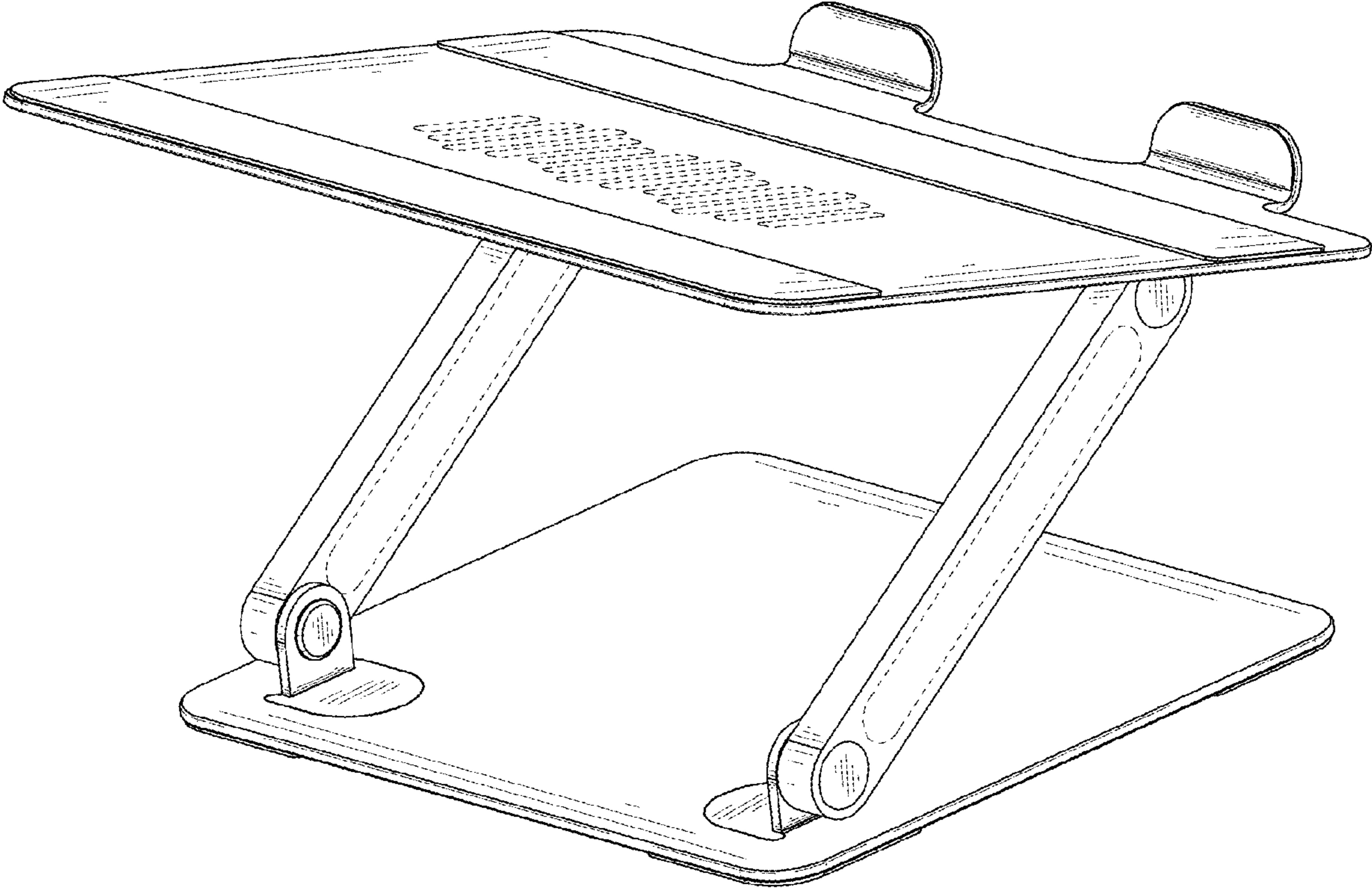


FIG. 1

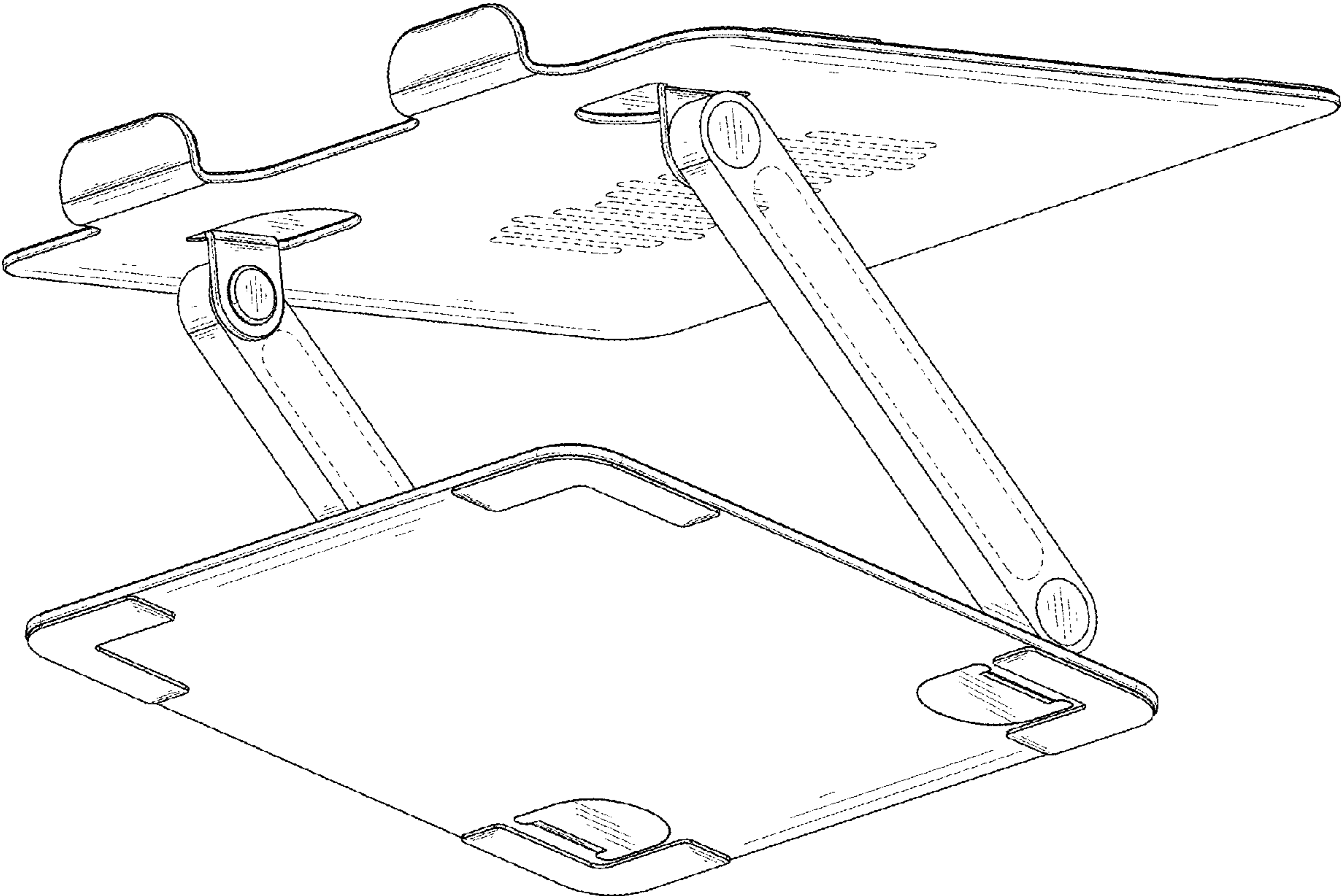


FIG. 2

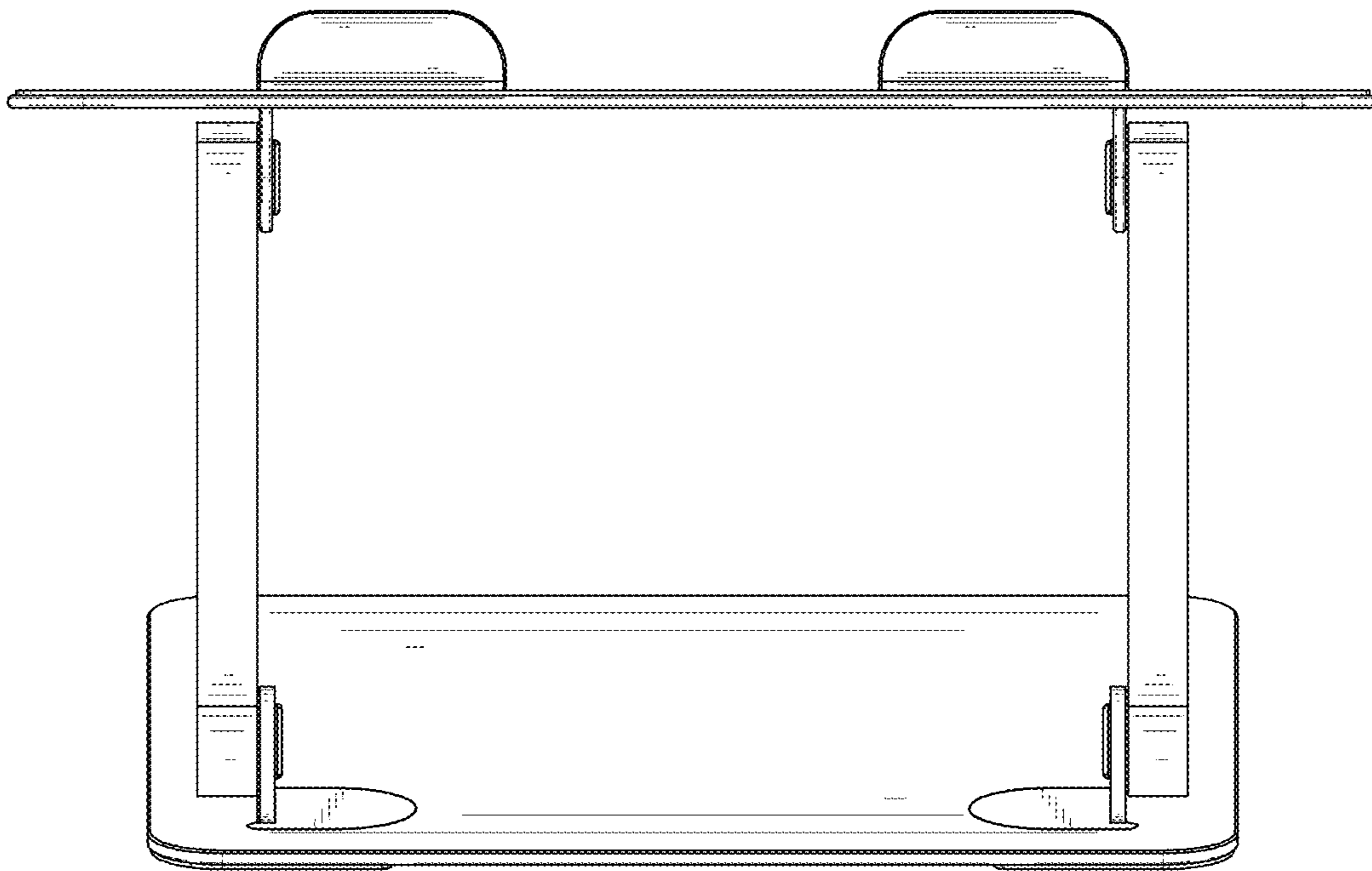


FIG. 3

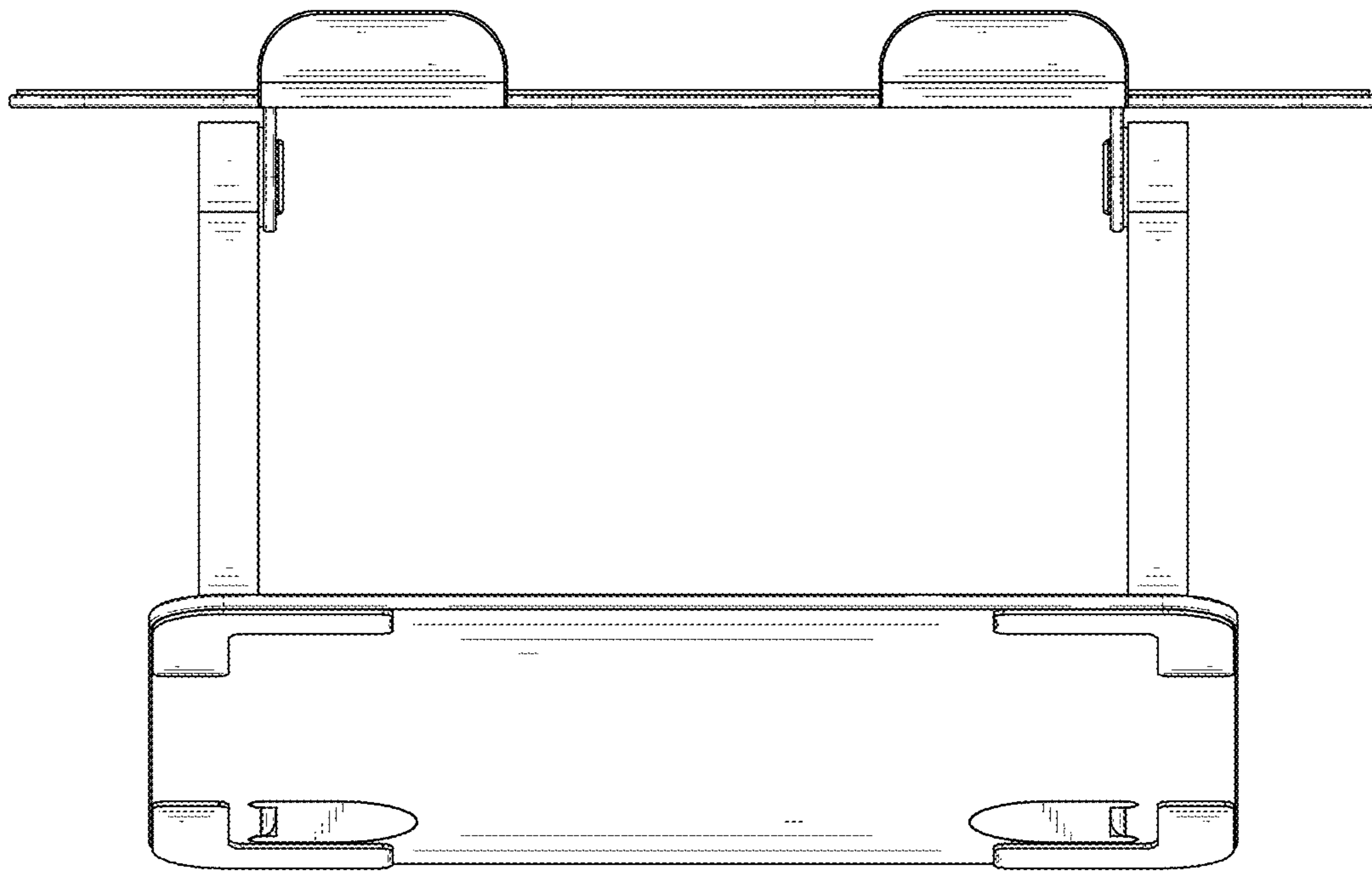


FIG. 4

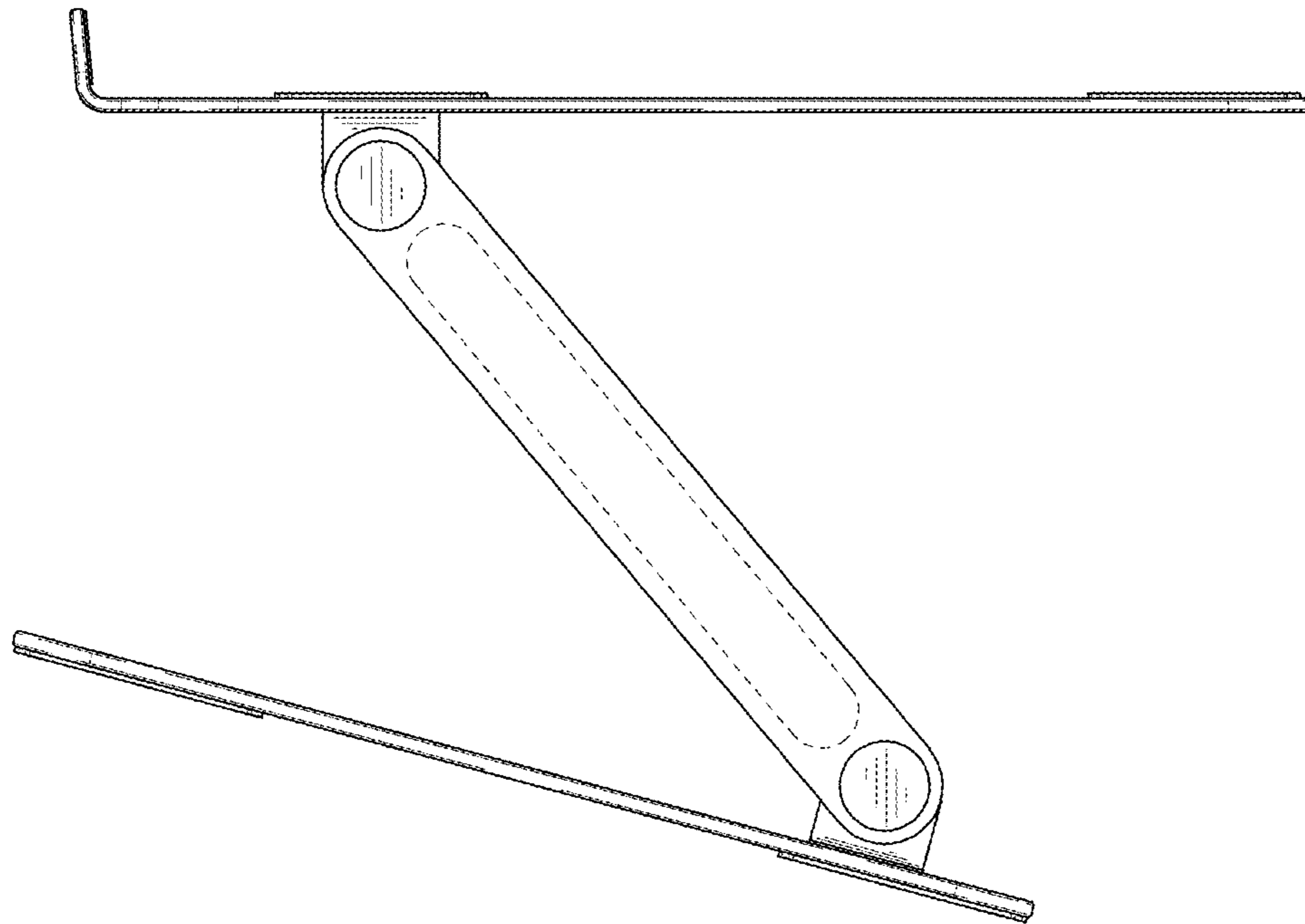


FIG. 5

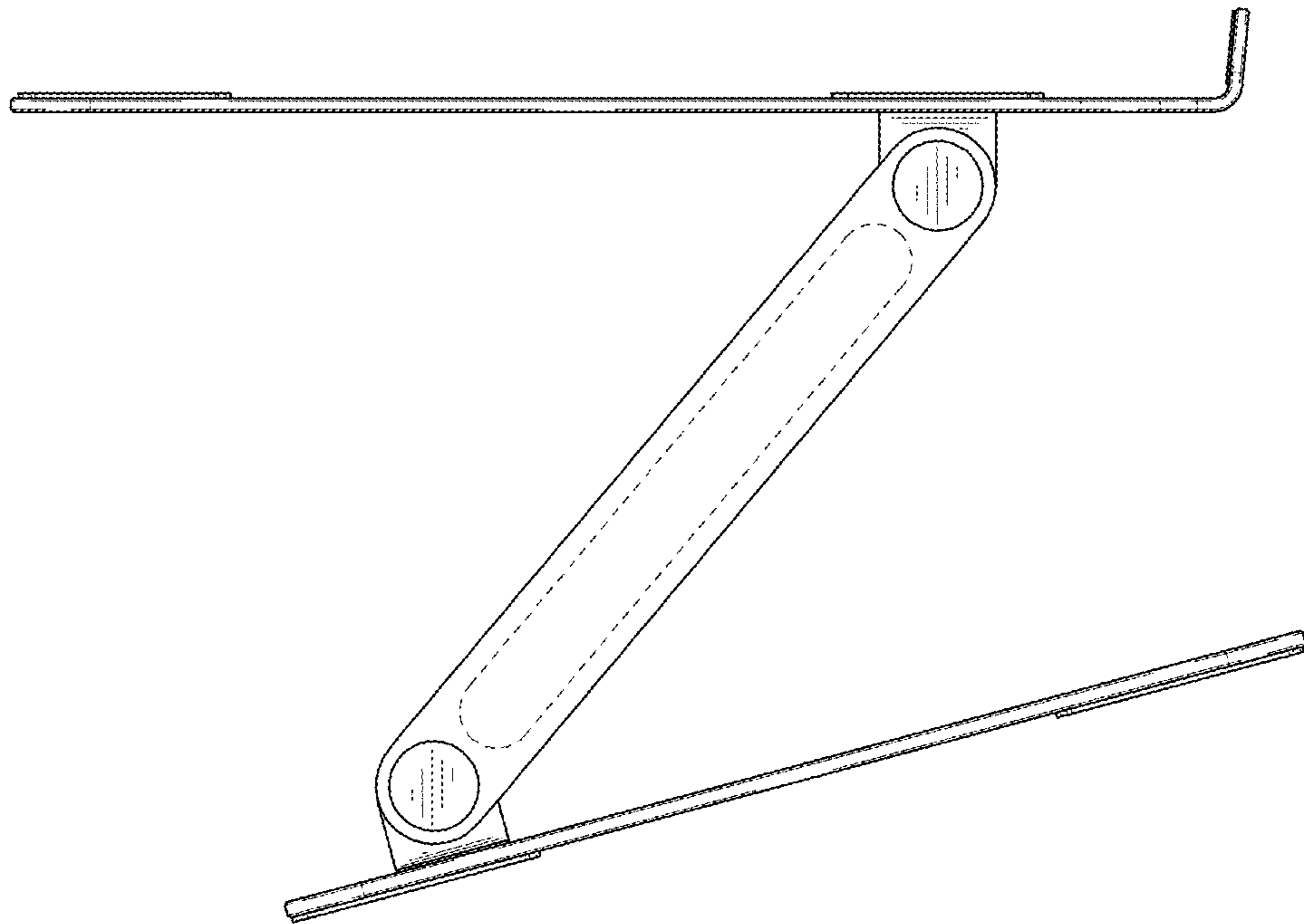


FIG. 6

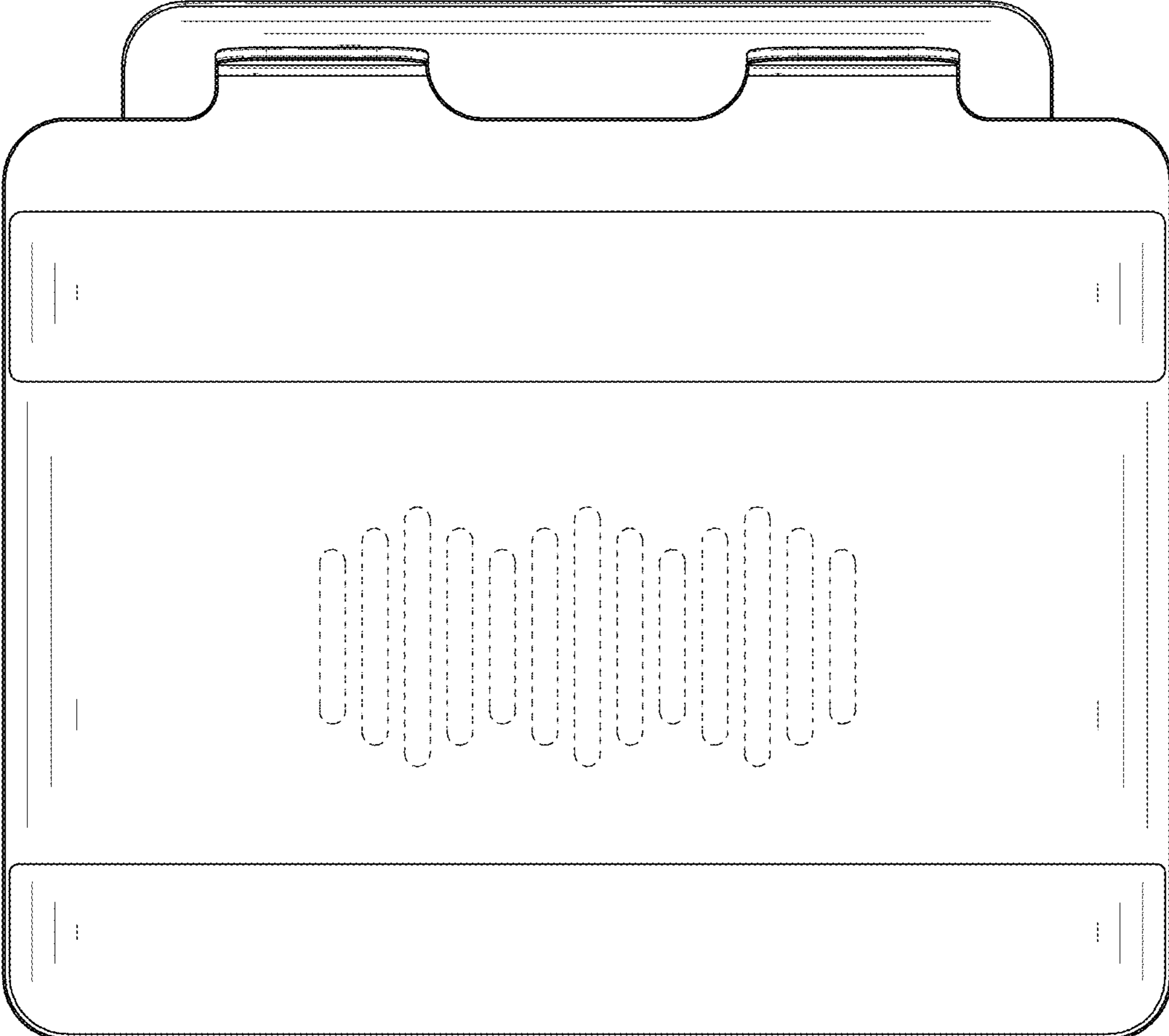


FIG. 7

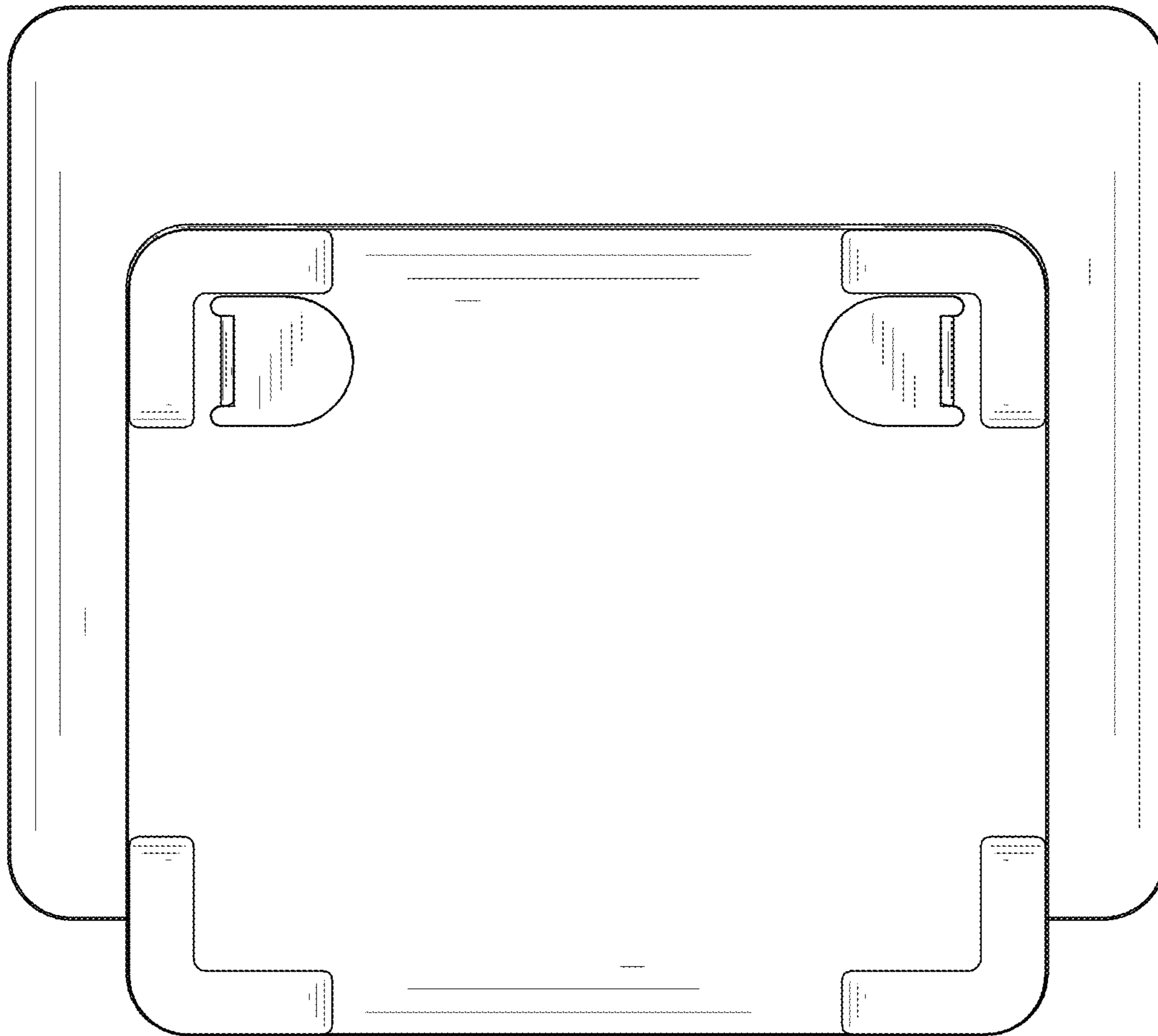


FIG. 8