



US00D944036S

(12) **United States Design Patent**  
**Mi**

(10) **Patent No.:** **US D944,036 S**

(45) **Date of Patent:** **\*\* Feb. 22, 2022**

(54) **CERVICAL PILLOW**

(71) Applicant: **SHENZHEN QISHENGXIENENG ELECTRONIC CO., LTD.**, Shenzhen (CN)

(72) Inventor: **Shuangtian Mi**, Chengdu (CN)

(73) Assignee: **Shenzhen Qinshengxieneng Electronic Co., Ltd.**, Shenzhen (CN)

(\*\*) Term: **15 Years**

(21) Appl. No.: **29/756,694**

(22) Filed: **Oct. 30, 2020**

(51) **LOC (13) Cl.** ..... **06-09**

(52) **U.S. Cl.**  
USPC ..... **D6/601**

(58) **Field of Classification Search**  
USPC ..... D6/582–583, 587–592, 595–609, D6/617–622; D21/803–809; D24/183  
CPC ..... A47G 9/00; A47G 2009/001; A47G 2009/002; A47G 2009/003; A47G 9/10; A47G 9/1009; A47G 2009/1018; A47G 9/1045; A47G 9/1081; A47G 9/109  
See application file for complete search history.

(56) **References Cited**

**U.S. PATENT DOCUMENTS**

D829,470 S \* 10/2018 Huang ..... D6/601  
D856,028 S \* 8/2019 Zou ..... D6/601  
10,455,957 B2 \* 10/2019 Wang ..... A47G 9/1036

D874,186 S \* 2/2020 Mi ..... D6/601  
D880,195 S \* 4/2020 Yang ..... D6/601  
10,881,226 B1 \* 1/2021 Ou ..... A47G 9/10  
D913,013 S \* 3/2021 Rensin ..... D6/601  
D923,972 S \* 7/2021 Ou ..... D6/601  
D927,225 S \* 8/2021 Wang ..... D6/601  
D929,771 S \* 9/2021 Wang ..... D6/601  
D930,399 S \* 9/2021 Zou ..... D6/601  
D931,012 S \* 9/2021 Ouyang ..... D6/601  
2004/0068799 A1 \* 4/2004 Wilson ..... A47G 9/10  
5/632  
2015/0265075 A1 \* 9/2015 Liu ..... A61F 5/56  
5/640  
2017/0156958 A1 \* 6/2017 Roh ..... A47G 9/1081

\* cited by examiner

*Primary Examiner* — Jennifer L Rempfer

(74) *Attorney, Agent, or Firm* — Andrew C. Cheng

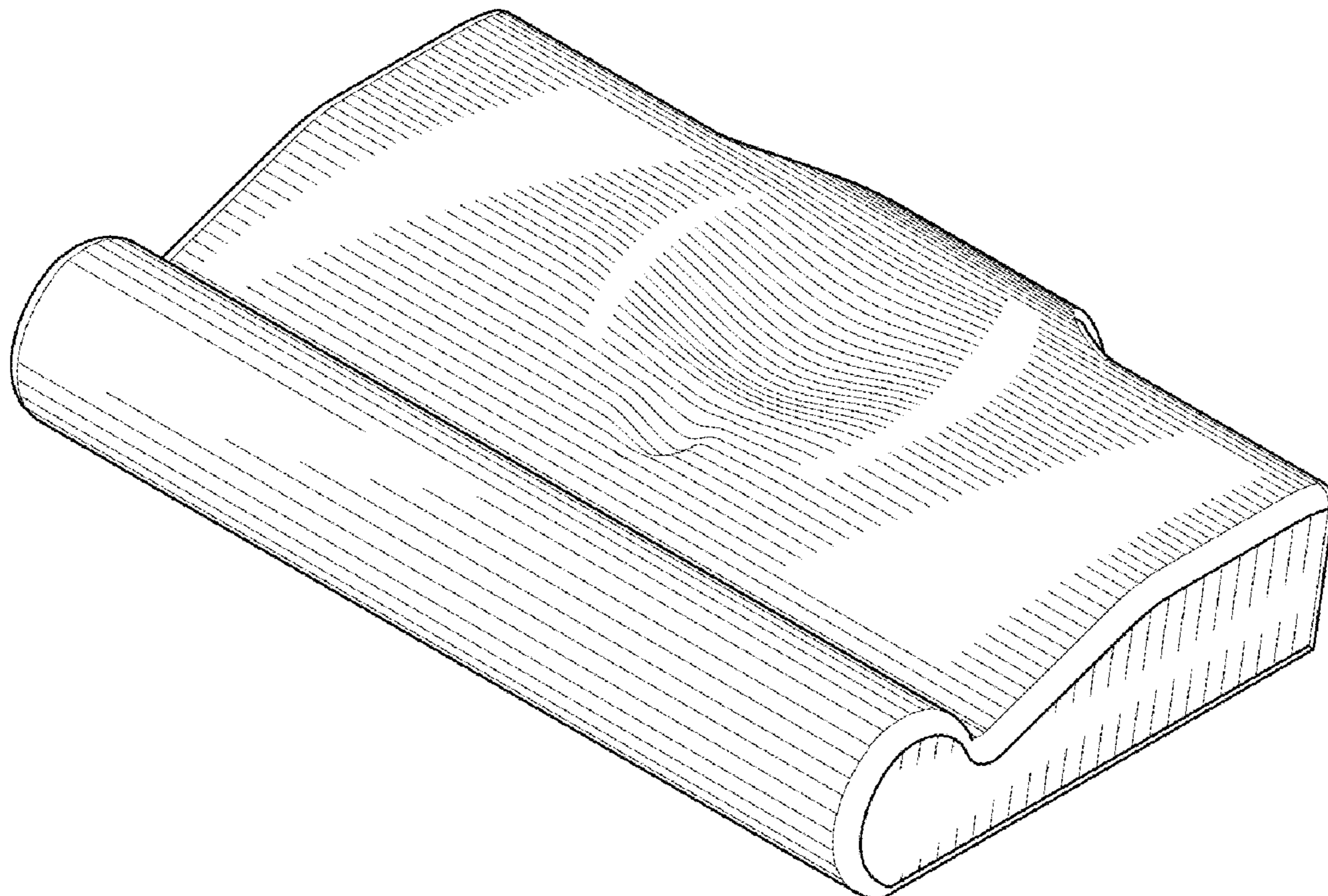
(57) **CLAIM**

The ornamental design for a cervical pillow, as shown and described.

**DESCRIPTION**

FIG. 1 is a perspective view of a cervical pillow, showing the new design;  
FIG. 2 is a front view thereof;  
FIG. 3 is a rear view thereof;  
FIG. 4 is a left-side view thereof;  
FIG. 5 is a right-side view thereof;  
FIG. 6 is a top view thereof; and,  
FIG. 7 is a bottom view thereof.

**1 Claim, 5 Drawing Sheets**



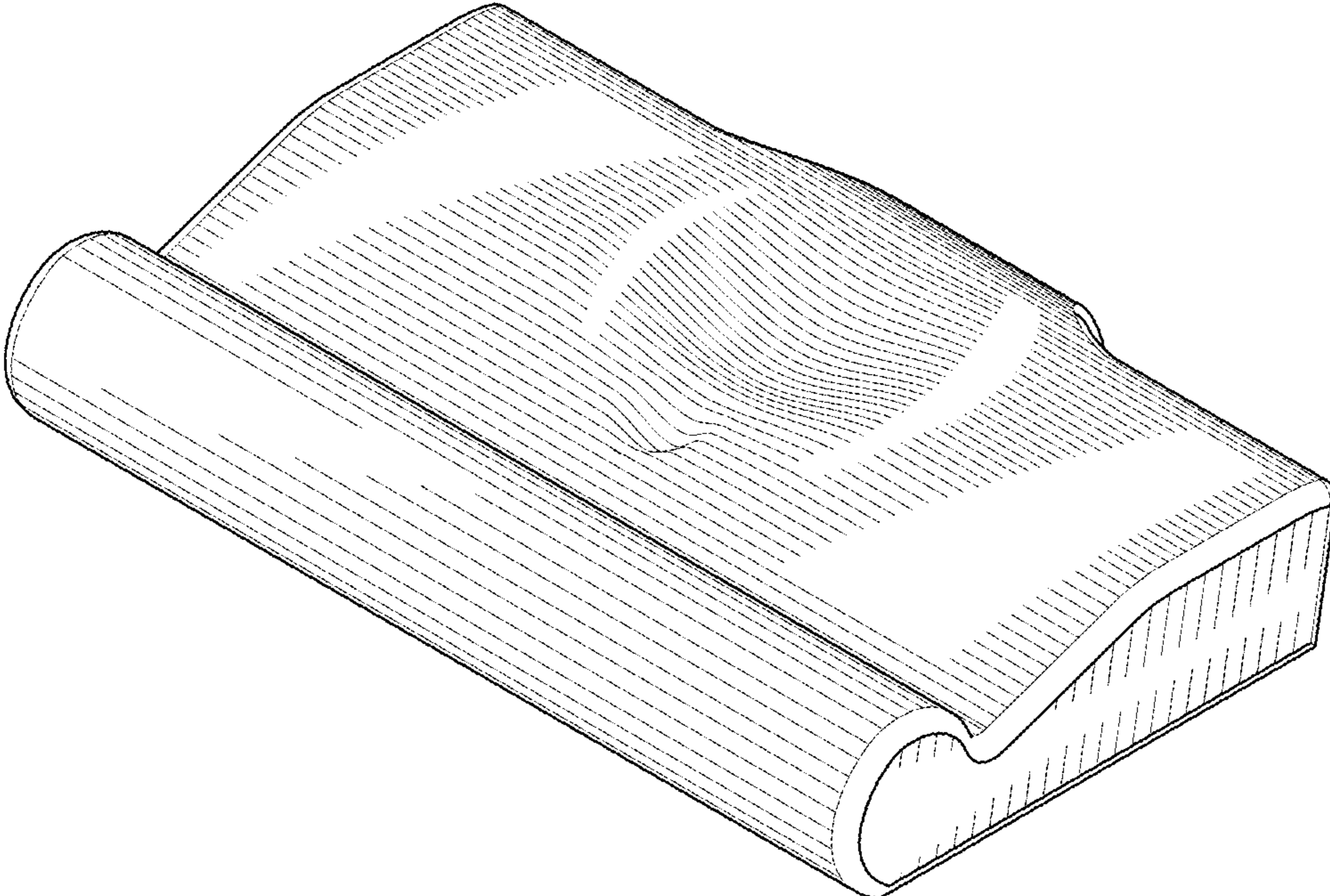


FIG. 1

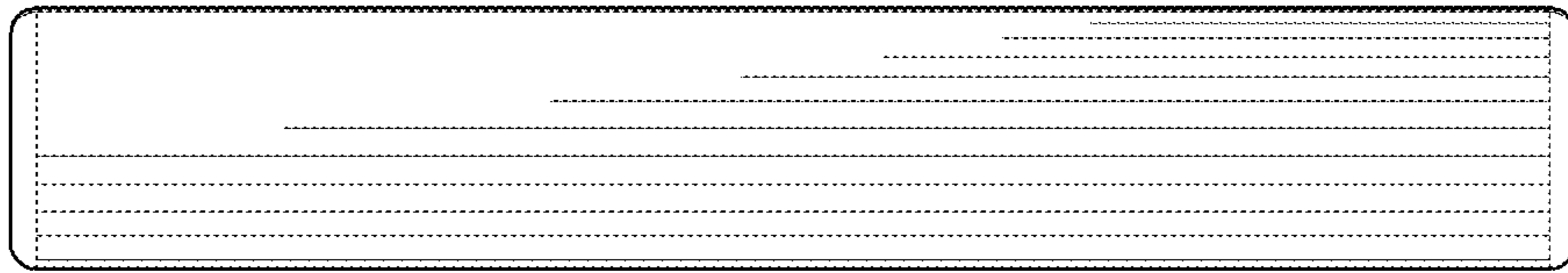


FIG. 2

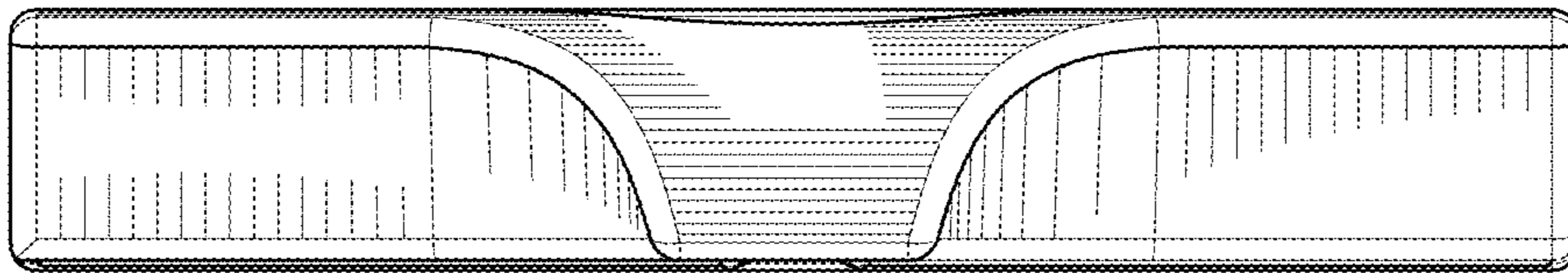


FIG. 3

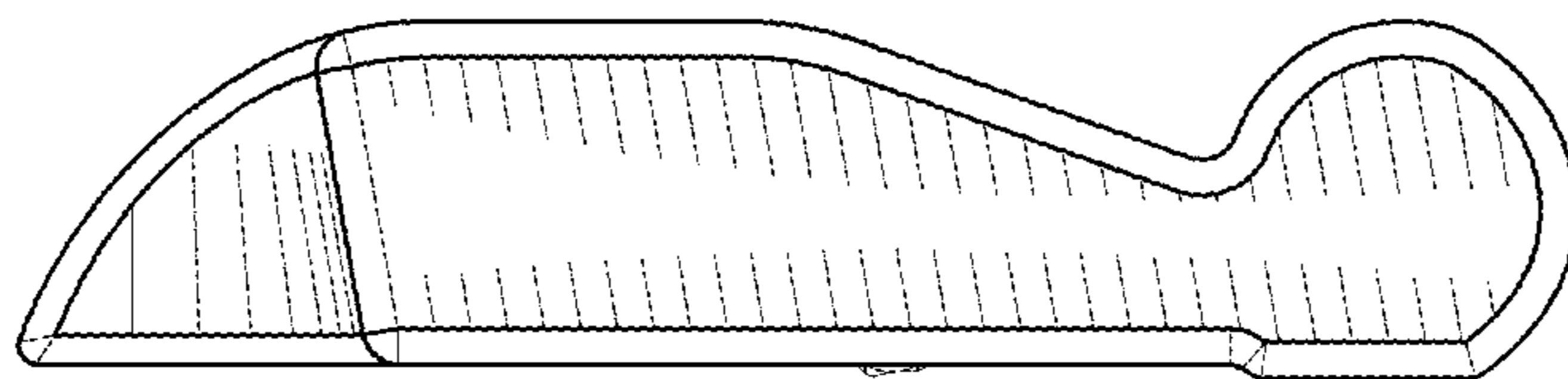


FIG. 4

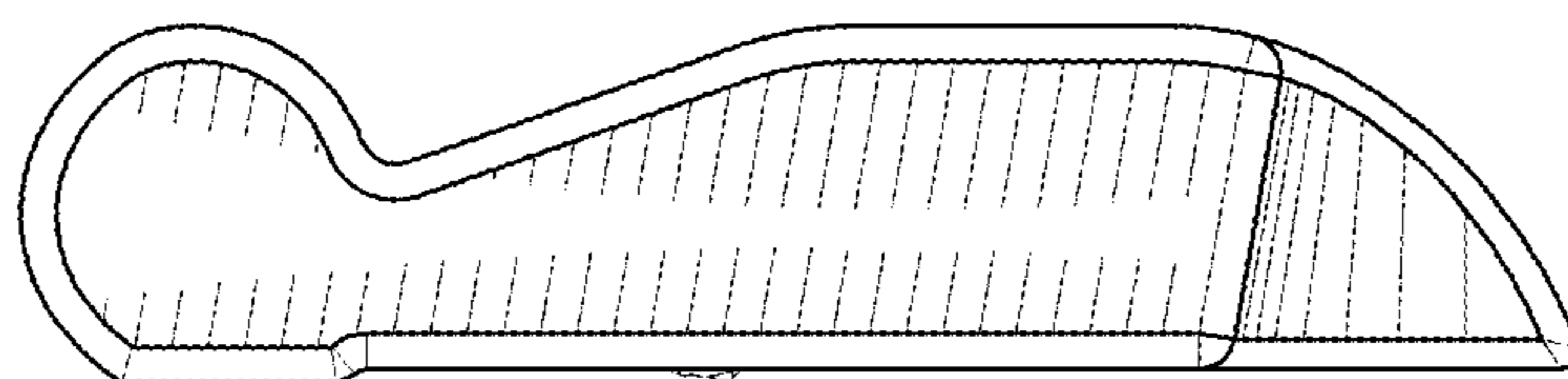


FIG. 5

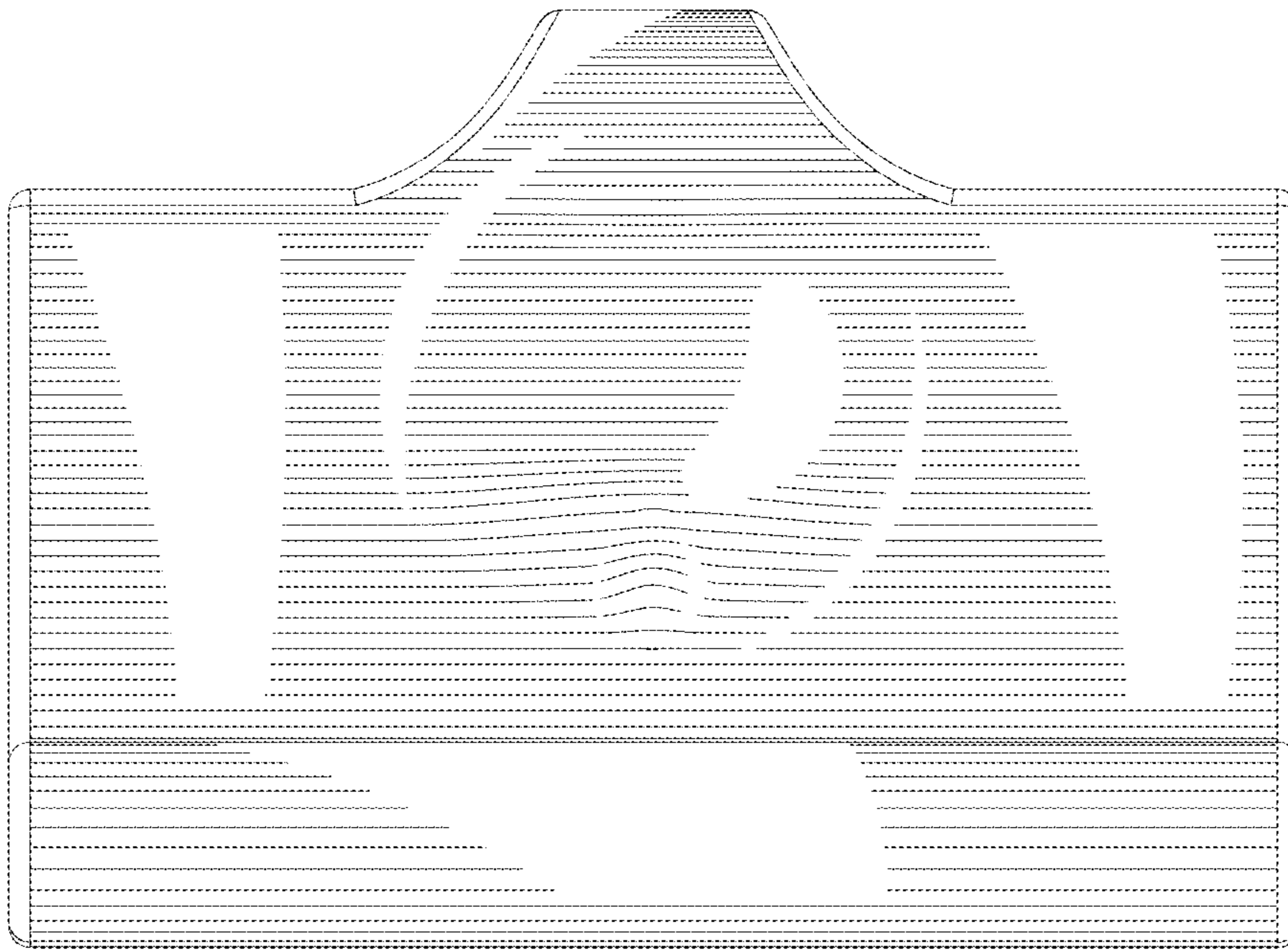


FIG. 6

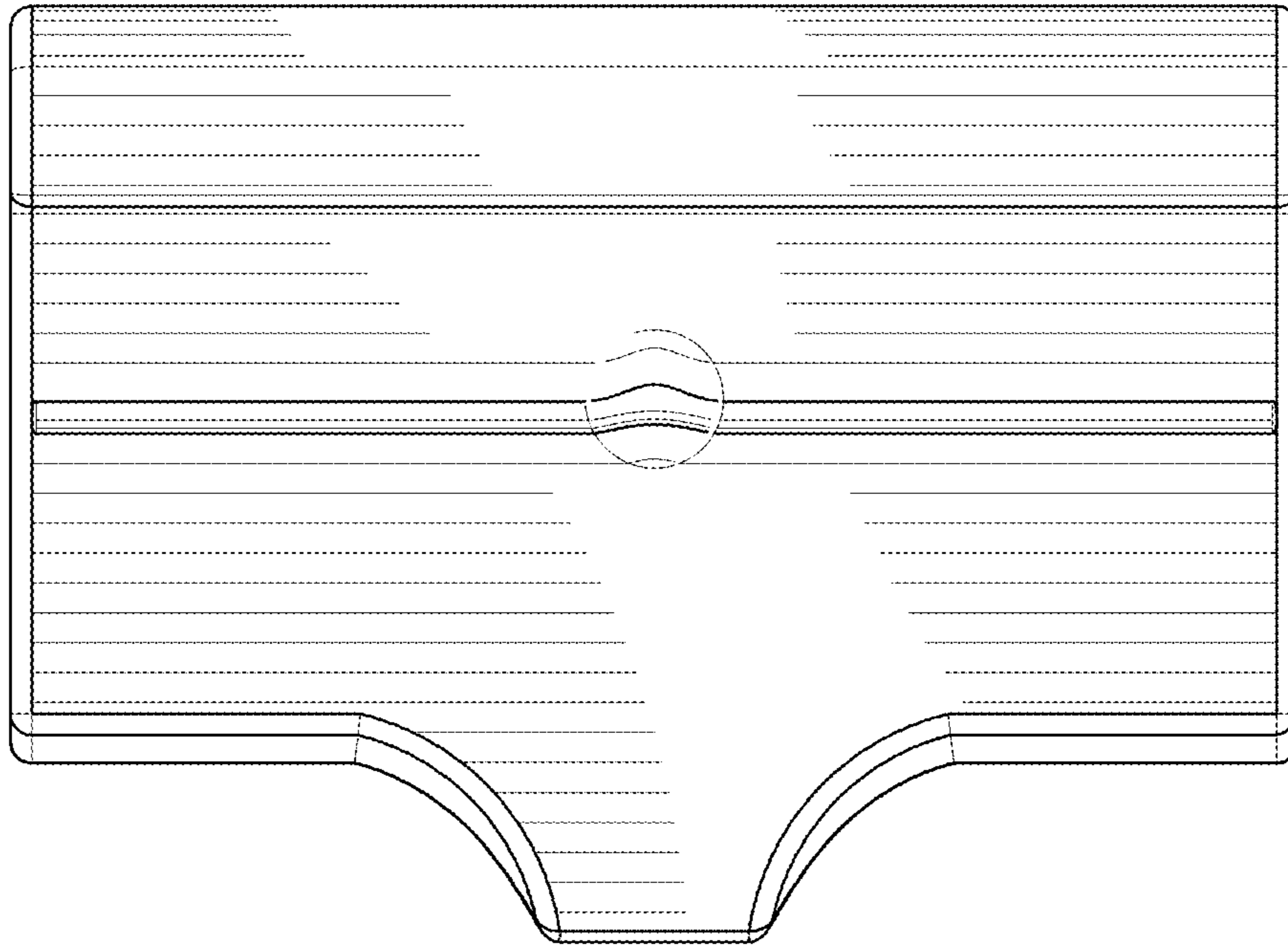


FIG. 7