



US00D944027S

(12) **United States Design Patent**
Halstrøm

(10) **Patent No.:** **US D944,027 S**

(45) **Date of Patent:** **** Feb. 22, 2022**

(54) **CHAIR**

(71) Applicant: **Skagerak Denmark A/S**, Aalborg (DK)

(72) Inventor: **Chris Liljenberg Halstrøm**,
København (DK)

(73) Assignee: **Skagerak Denmark A/S**, Aalborg (DK)

(**) Term: **15 Years**

(21) Appl. No.: **29/733,428**

(22) Filed: **May 1, 2020**

(30) **Foreign Application Priority Data**

Nov. 1, 2019 (EM) 007162615-0002

(51) **LOC (13) Cl.** **06-01**

(52) **U.S. Cl.**
USPC **D6/380**

(58) **Field of Classification Search**

USPC D6/334, 366, 367, 374, 375, 379, 380,
D6/716, 716.1, 716.2, 716.4

CPC A47C 1/02; A47C 1/024; A47C 1/03255;
A47C 3/18; A47C 3/20; A47C 7/18;
A47C 7/24; A47C 7/36; A47C 7/38;
A47C 7/40; A47C 7/46; A47C 7/54

See application file for complete search history.

(56) **References Cited**

U.S. PATENT DOCUMENTS

2,687,768 A * 8/1954 Konkle A47C 5/14
297/446.1
D647,320 S * 10/2011 Young D6/380

D739,663 S * 9/2015 Yulich D6/380
D799,848 S * 10/2017 Morrison D6/380
D801,070 S * 10/2017 Naoto D6/379
D862,103 S * 10/2019 Hertzog D6/376
D873,047 S * 1/2020 Wilkinson D6/380
D886,474 S * 6/2020 Jeffery D6/334
D893,895 S * 8/2020 Traverso D6/334
D894,628 S * 9/2020 Del Portillo D6/380
D898,401 S * 10/2020 Tabuchi D6/376
D924,596 S * 7/2021 Breinholt D6/380

* cited by examiner

Primary Examiner — R. Johnson

(74) *Attorney, Agent, or Firm* — Dykema Gossett PLLC

(57) **CLAIM**

The ornamental design for a chair, as shown and described.

DESCRIPTION

FIG. 1 is a side perspective view of a chair showing my new design;

FIG. 2 is a bottom perspective view of the chair depicted in FIG. 1;

FIG. 3 is a back view of the chair depicted in FIG. 1;

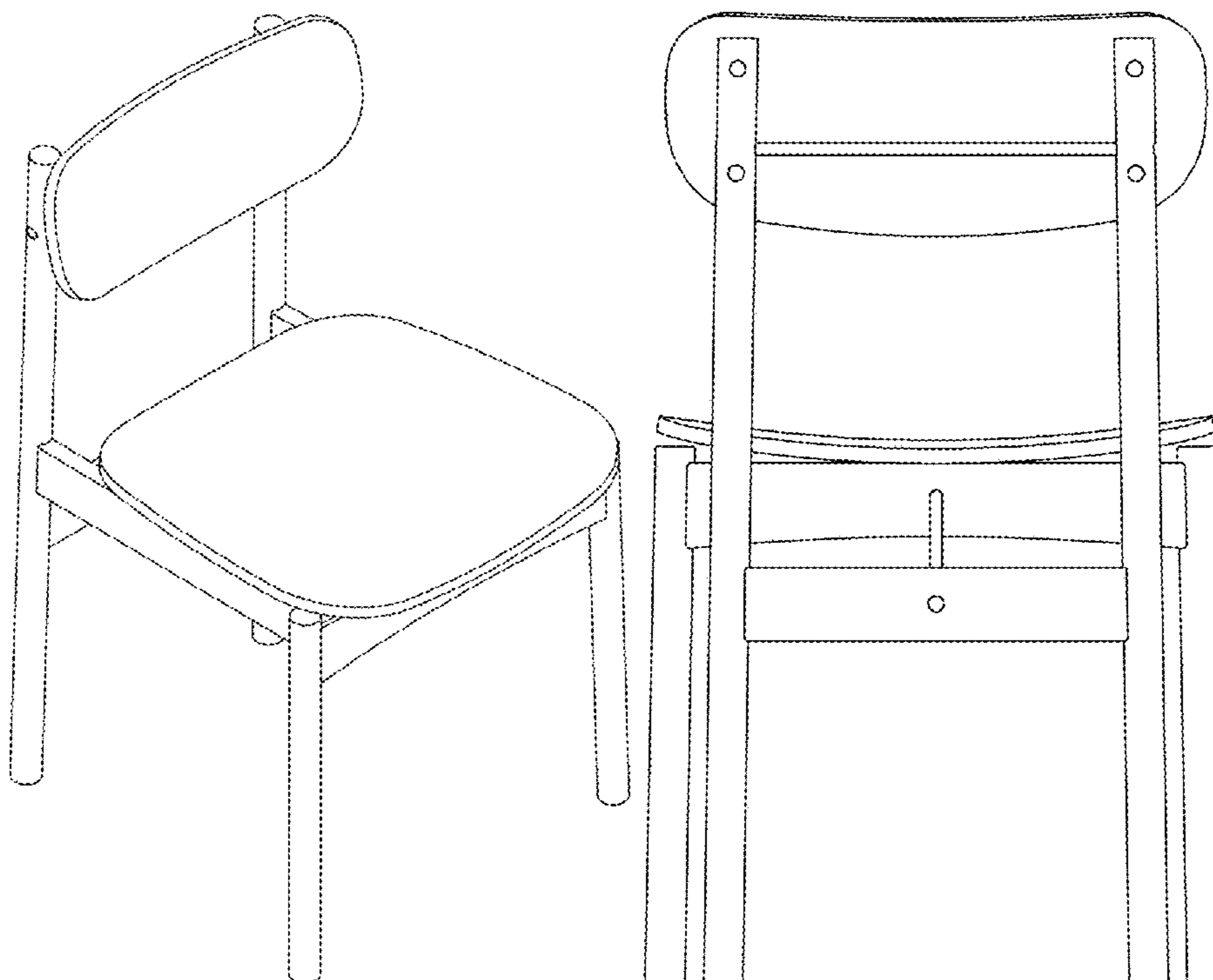
FIG. 4 is a front view of the chair depicted in FIG. 1;

FIG. 5 is a right side view of the chair depicted in FIG. 1, the opposite side view being a mirror image thereof;

FIG. 6 is a top view of the chair depicted in FIG. 1; and,

FIG. 7 is a bottom view of the chair depicted in FIG. 1.

1 Claim, 7 Drawing Sheets



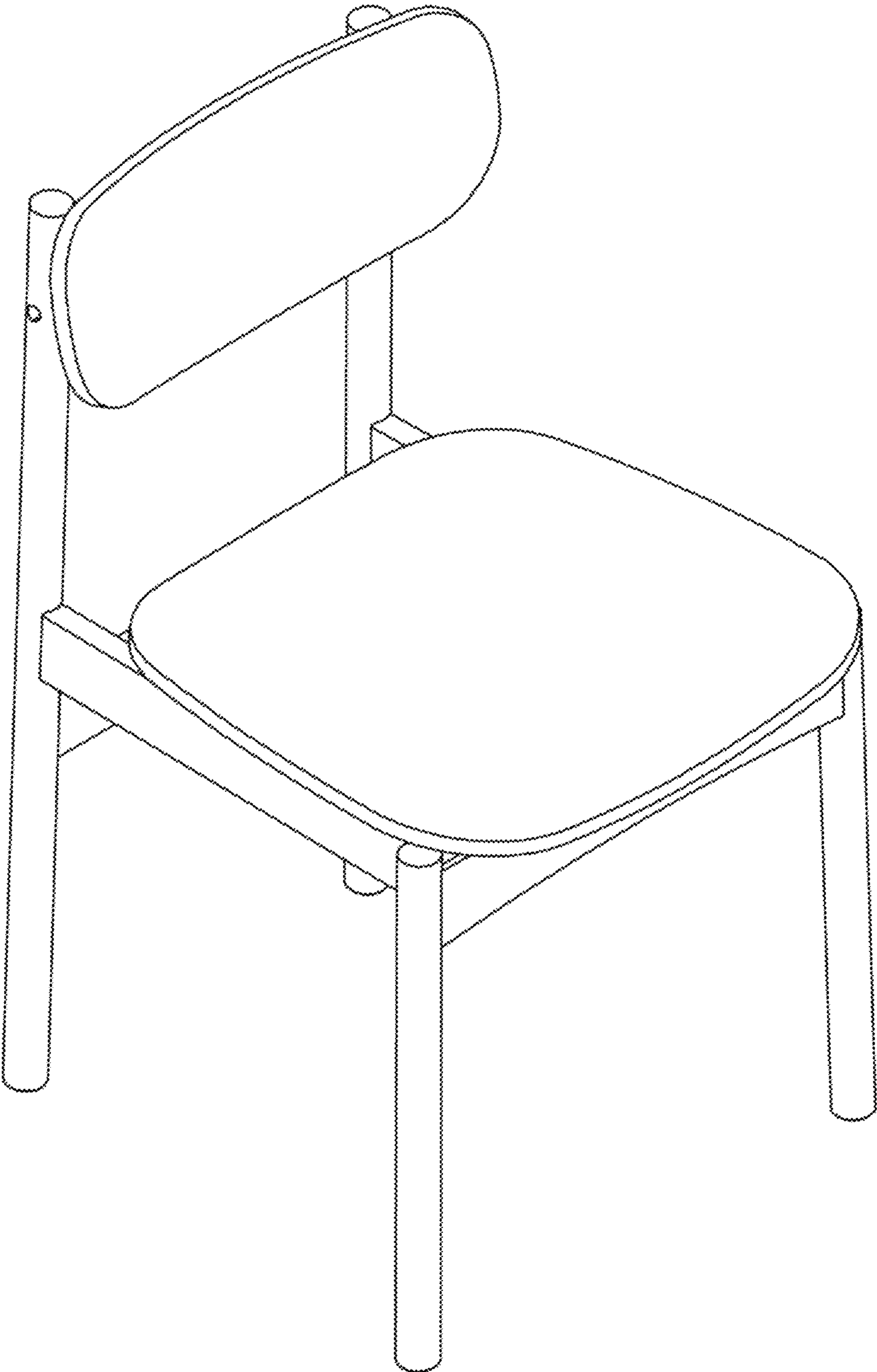


Fig. 1

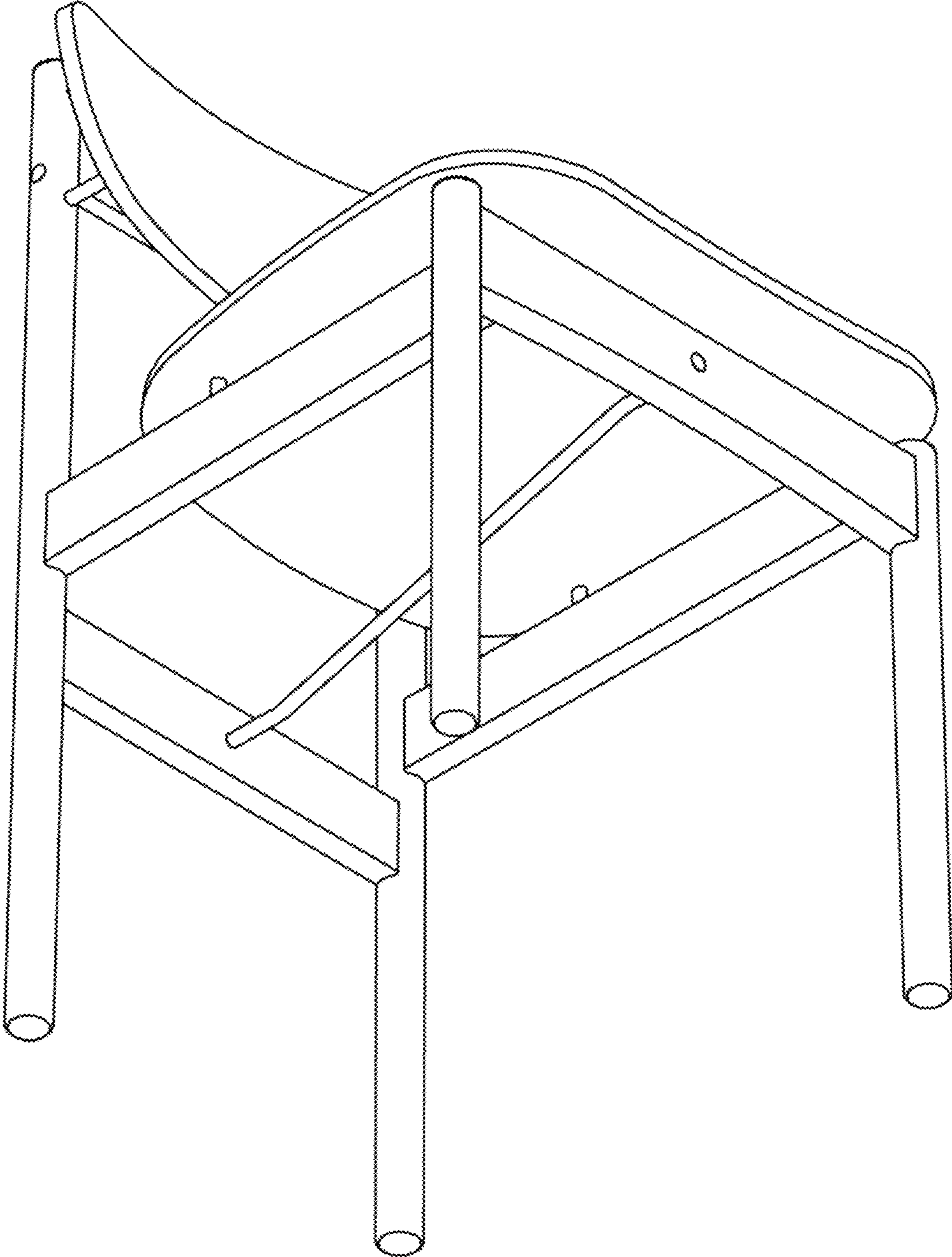


Fig. 2

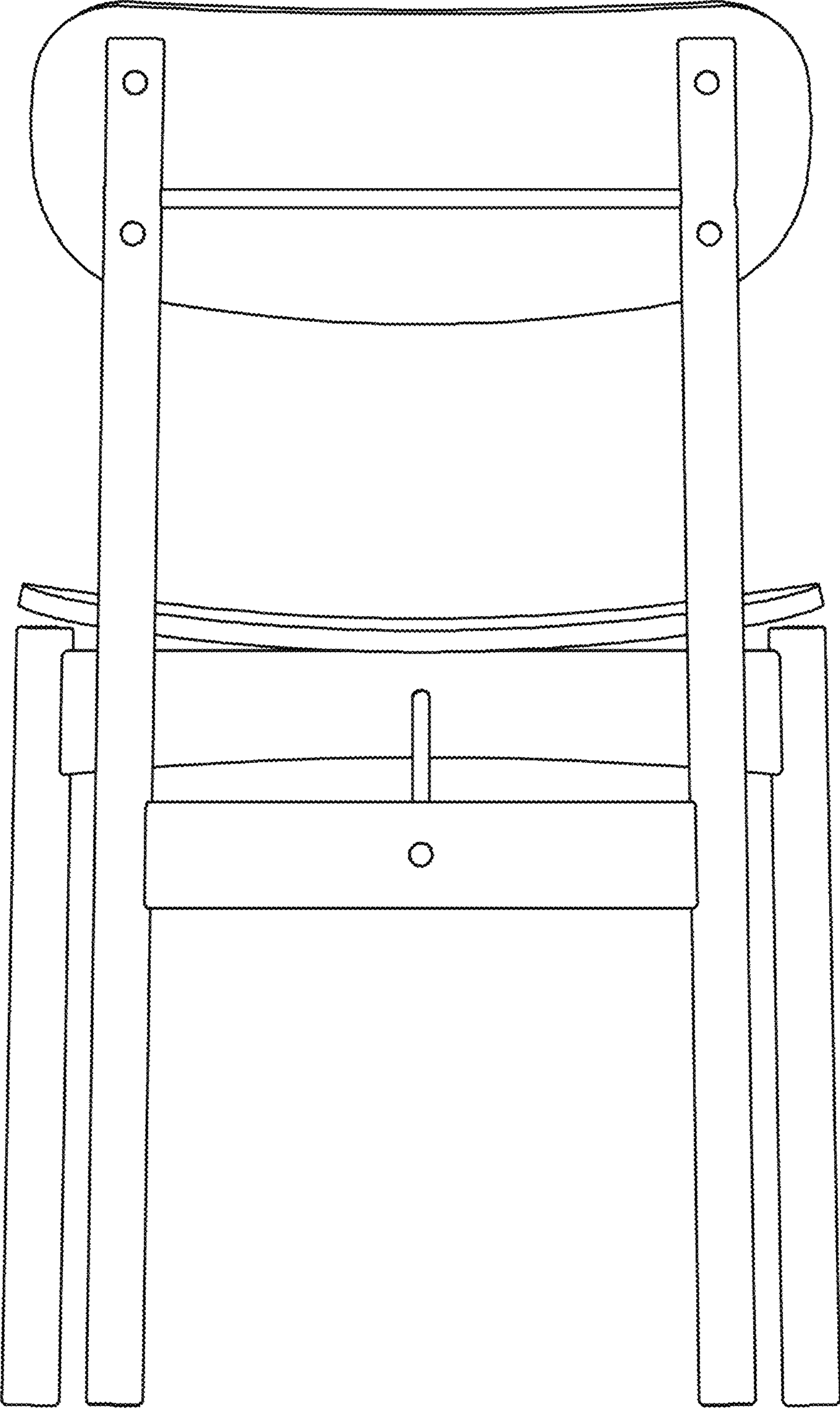


Fig. 3

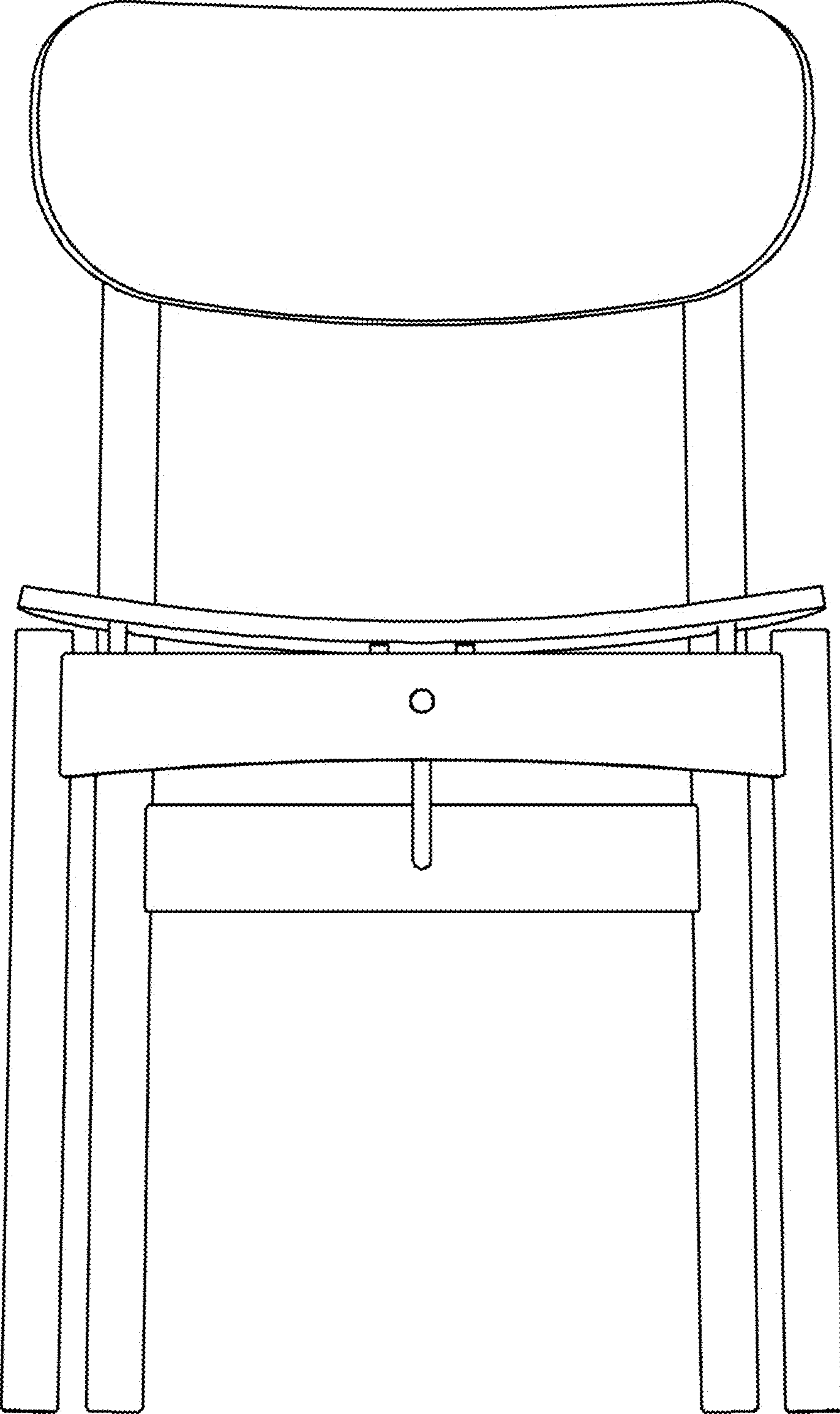


Fig. 4

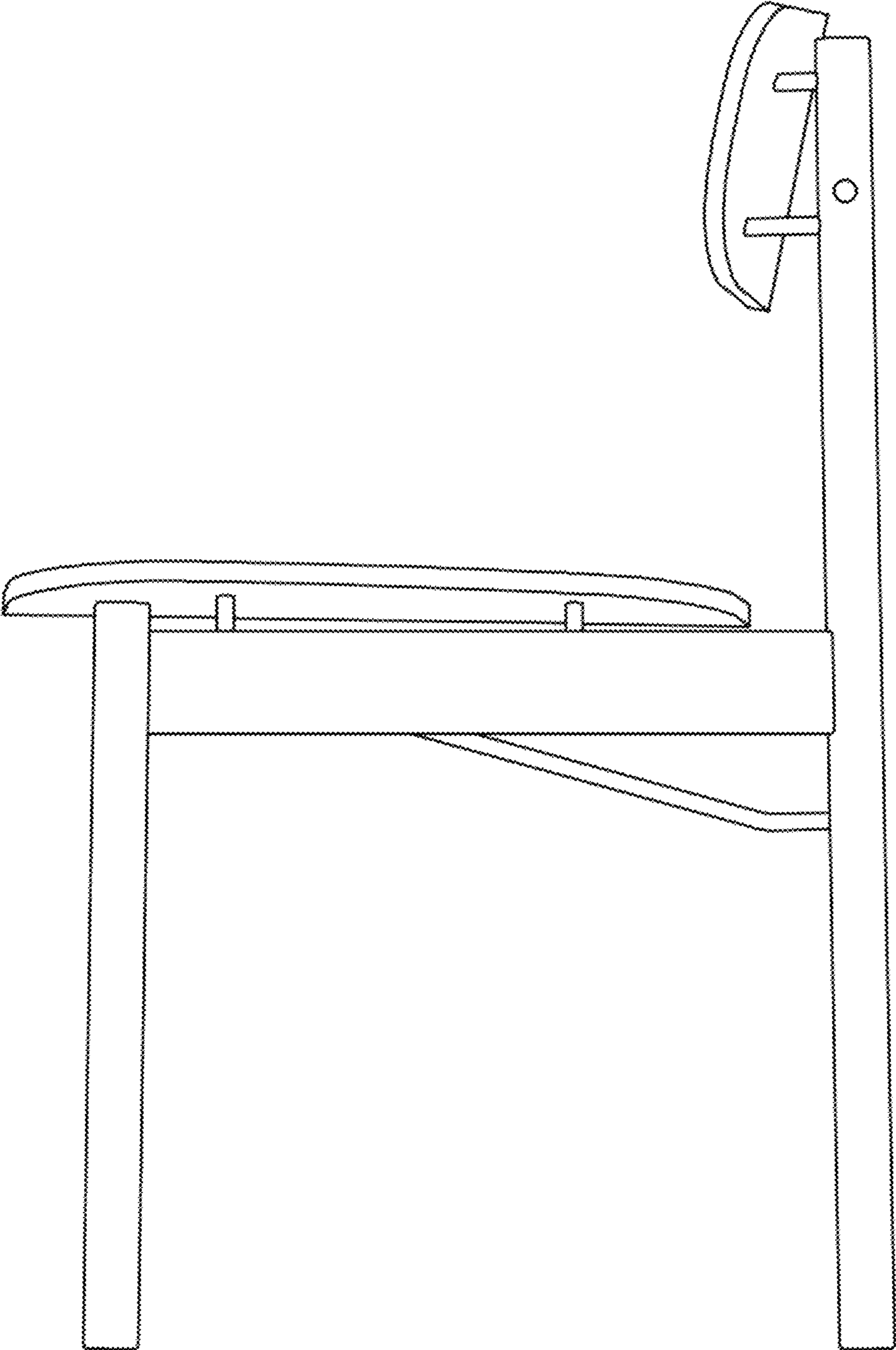


Fig. 5

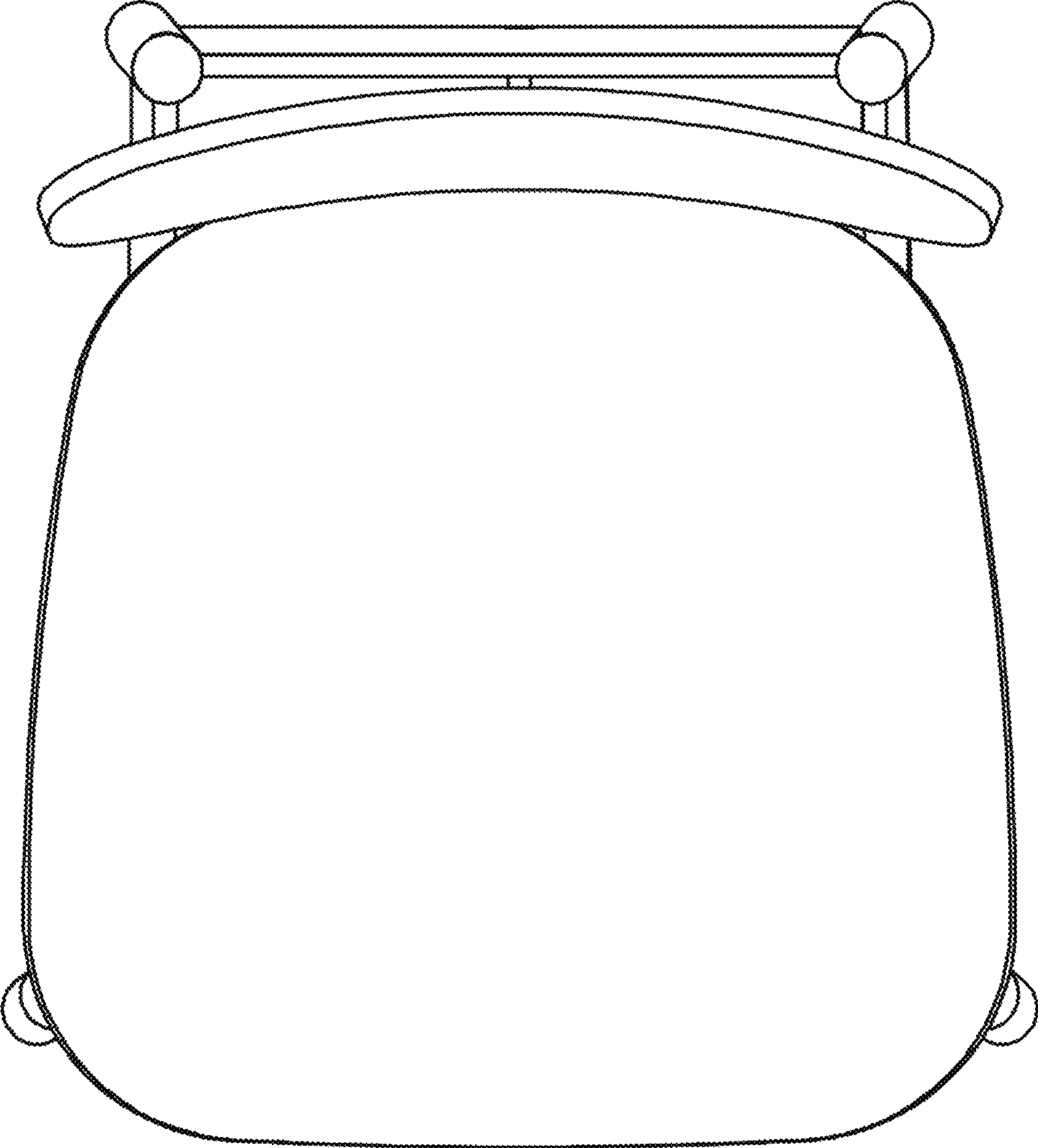


Fig. 6

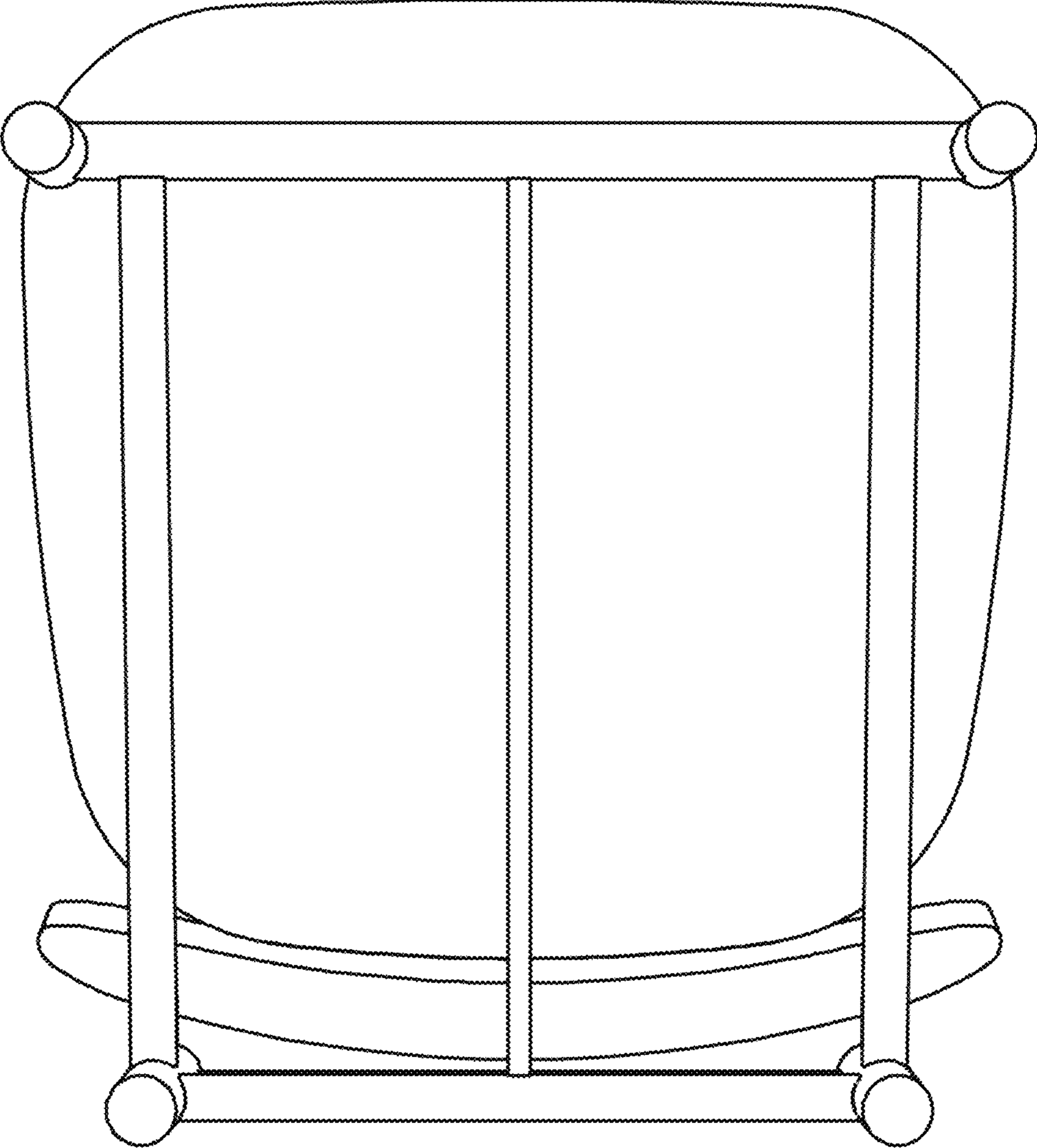


Fig. 7