



US00D944026S

(12) **United States Design Patent**
Jin

(10) **Patent No.:** **US D944,026 S**

(45) **Date of Patent:** **** Feb. 22, 2022**

(54) **OFFICE CHAIR**

(71) Applicant: **Shenzhen Prime Technology Co., Ltd,**
Guangdong (CN)

(72) Inventor: **Wenwu Jin,** Guangdong (CN)

(73) Assignee: **SHENZHEN PRIME**
TECHNOLOGY CO., LTD, Shenzhen
(CN)

(**) Term: **15 Years**

(21) Appl. No.: **29/752,999**

(22) Filed: **Sep. 29, 2020**

(51) **LOC (13) Cl.** **06-01**

(52) **U.S. Cl.**
USPC **D6/366**

(58) **Field of Classification Search**
USPC D6/366, 716, 716.7
CPC A47C 1/03255; A47C 1/40
See application file for complete search history.

(56) **References Cited**

U.S. PATENT DOCUMENTS

| | | | | | |
|------------|---|---------|-------------|-------|----------|
| D436,456 S | * | 1/2001 | Neil | | D6/366 |
| D468,122 S | | 1/2003 | Schweikarth | | |
| D507,124 S | * | 7/2005 | Yang | | D6/366 |
| D580,199 S | * | 11/2008 | Su | | D6/366 |
| D687,660 S | * | 8/2013 | Hsuan-Chin | | D6/716.4 |
| D695,538 S | * | 12/2013 | Geelen | | D6/366 |

| | | | | | |
|------------|---|---------|---------------|-------|----------|
| D697,330 S | * | 1/2014 | Chen | | D6/366 |
| D772,592 S | * | 11/2016 | Su | | D6/366 |
| D815,868 S | | 4/2018 | Romero et al. | | |
| D839,035 S | * | 1/2019 | Tsai | | D6/716.4 |
| D856,698 S | | 8/2019 | Shen | | |
| D863,802 S | * | 10/2019 | Wang | | D6/366 |
| D888,450 S | * | 6/2020 | Zhou | | D6/366 |
| D889,868 S | * | 7/2020 | Guelfo | | D6/366 |
| D893,908 S | * | 8/2020 | Borgenhov | | D6/366 |
| D920,696 S | * | 6/2021 | Su | | D6/366 |
| D924,594 S | * | 7/2021 | Zhong | | D6/366 |
| D929,757 S | * | 9/2021 | Feng | | D6/366 |
| D937,593 S | * | 12/2021 | Ni | | D6/366 |

* cited by examiner

Primary Examiner — Deanna L Pratt

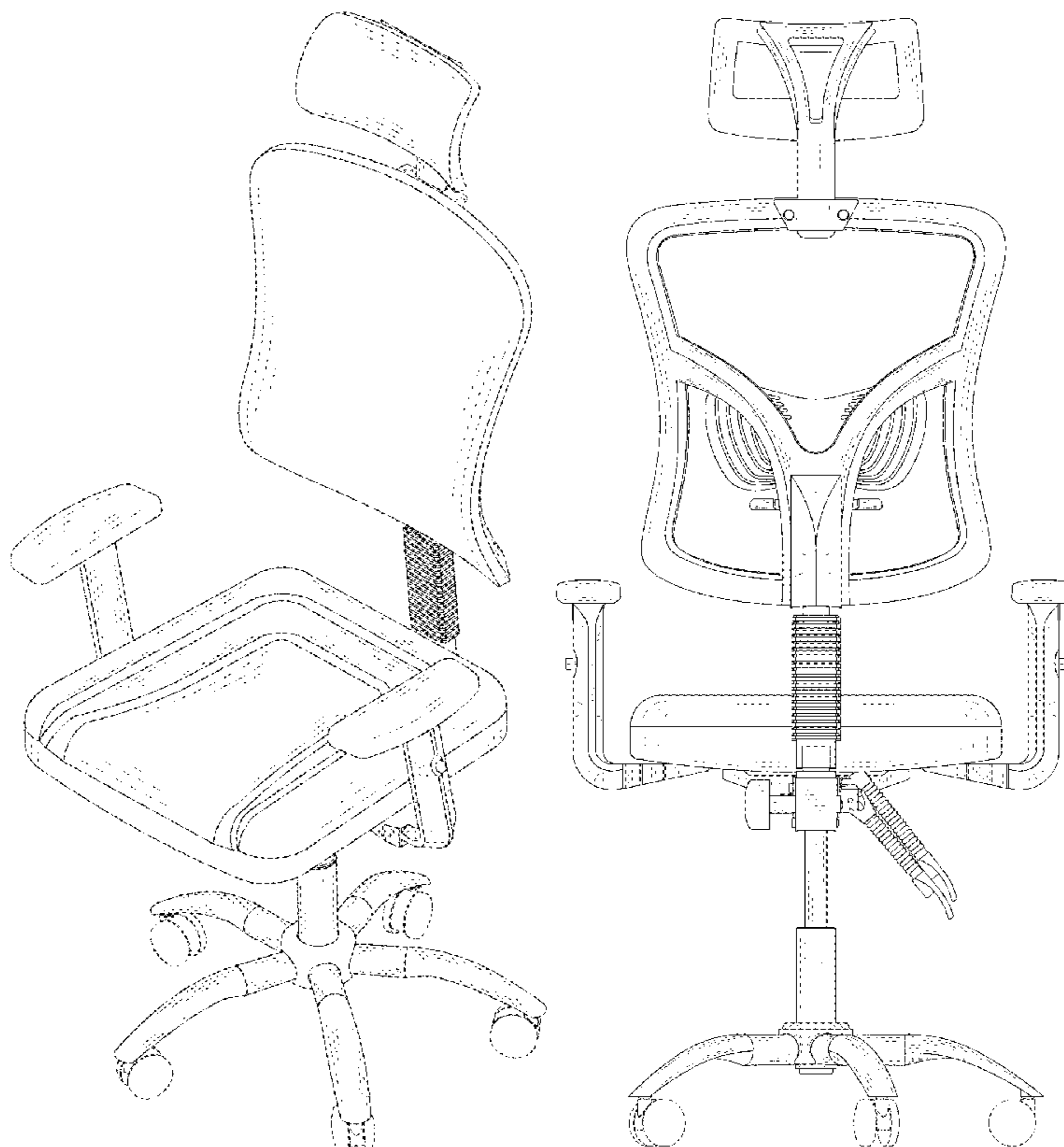
(57) **CLAIM**

The ornamental design for an office chair, as shown and described.

DESCRIPTION

FIG. 1 is a perspective view of an office chair showing my new design;
FIG. 2 is a front elevation view thereof;
FIG. 3 is a back elevation view thereof;
FIG. 4 is a left side view thereof;
FIG. 5 is a right side view thereof;
FIG. 6 is a top plan view thereof; and,
FIG. 7 is a bottom plan view thereof.
The broken lines in the drawing depict environmental subject matter only and form no part of the claimed design.

1 Claim, 7 Drawing Sheets



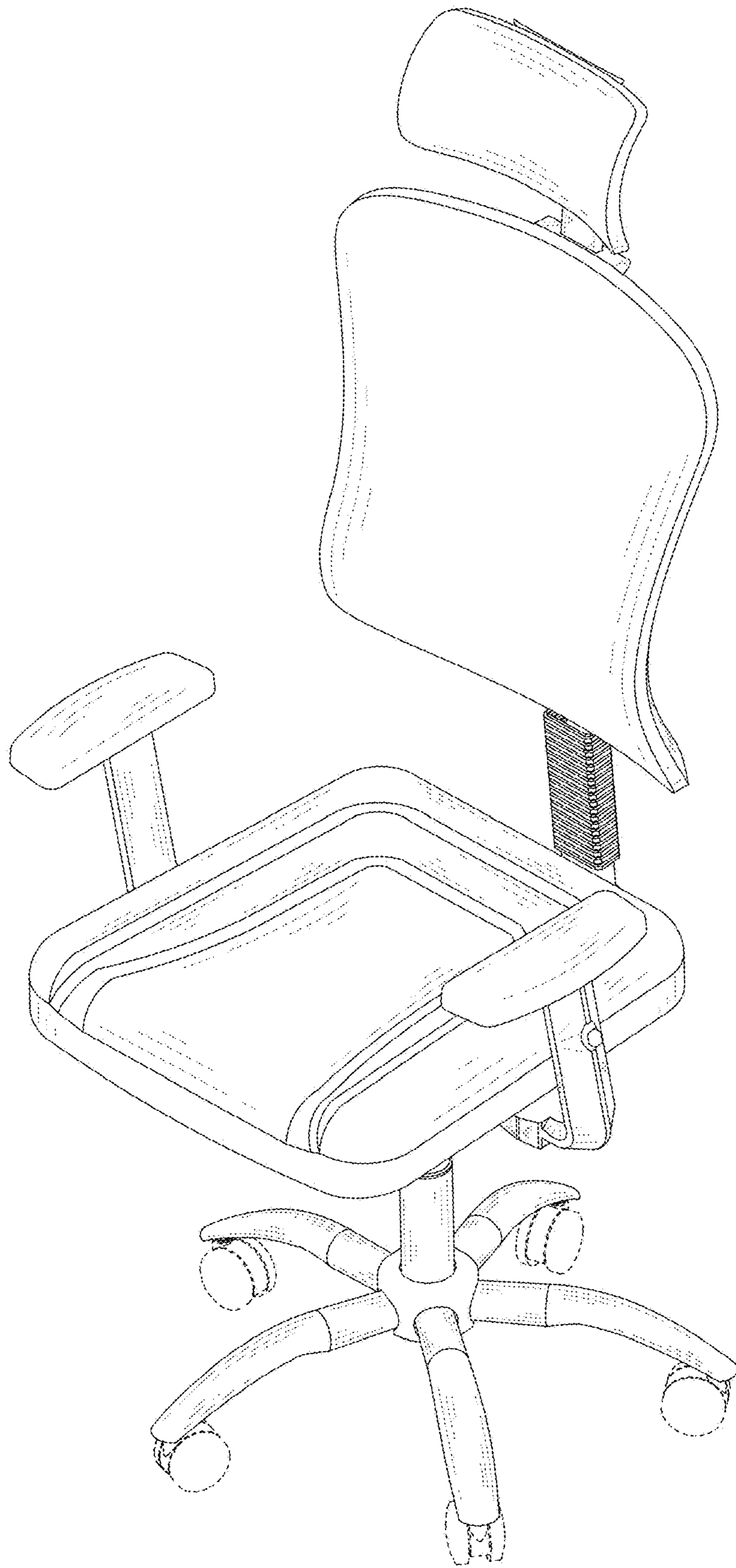


FIG. 1

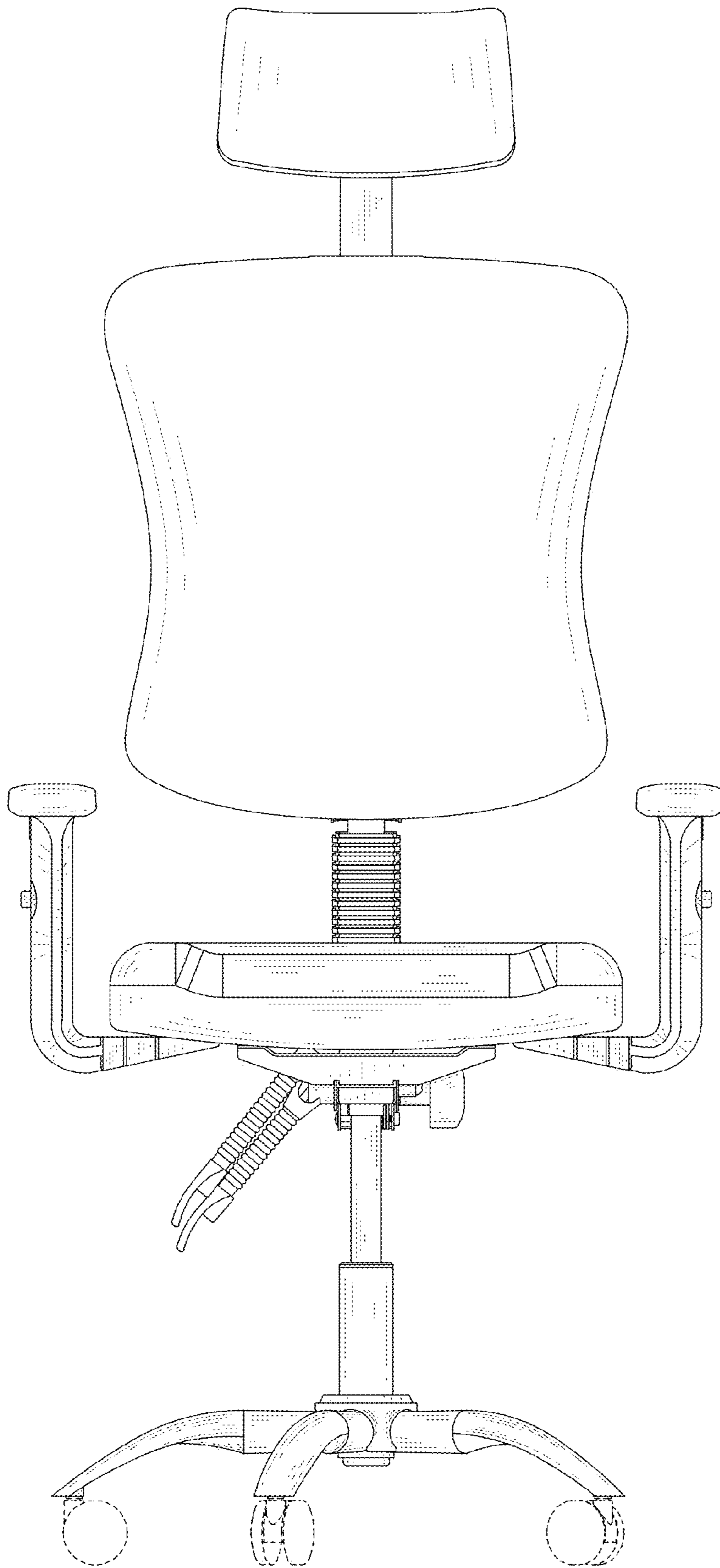


FIG. 2

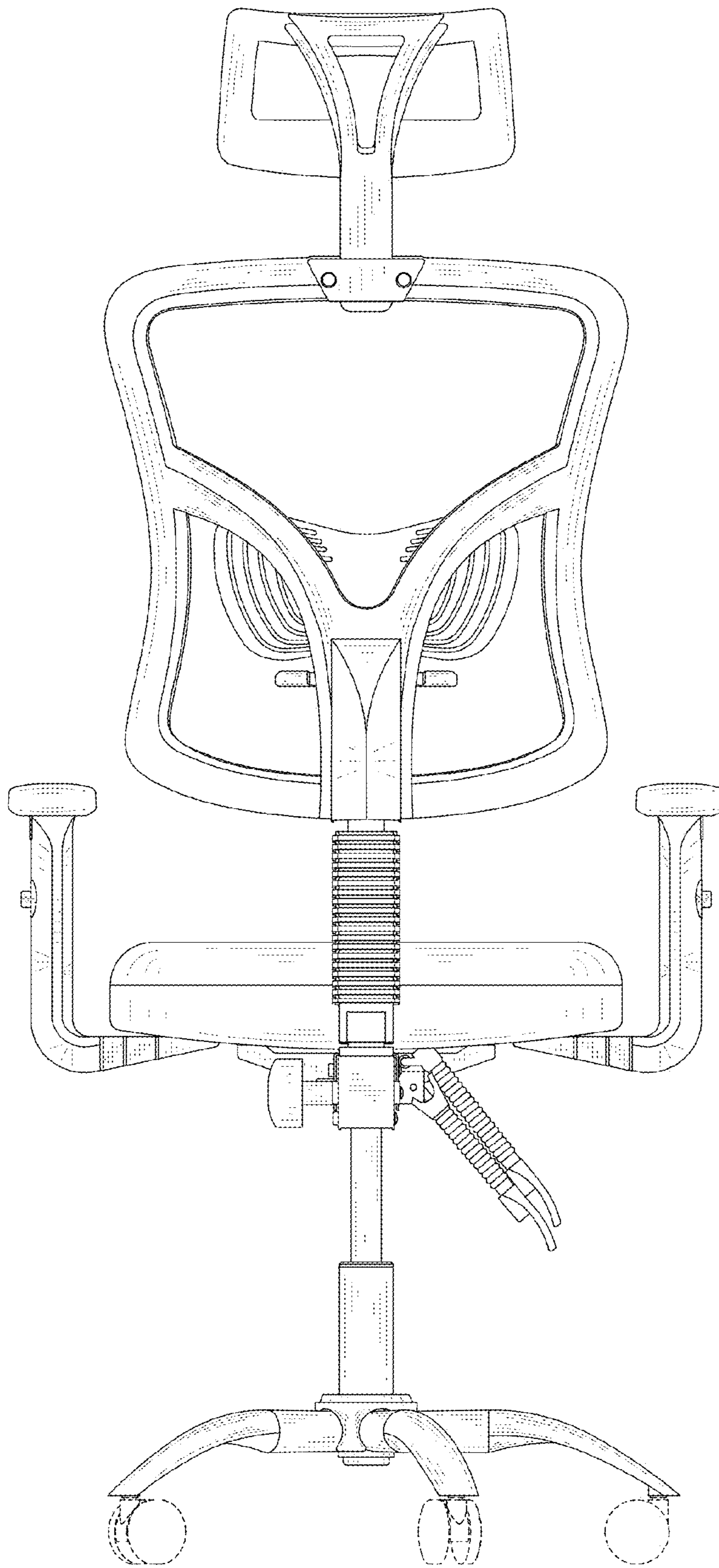


FIG. 3

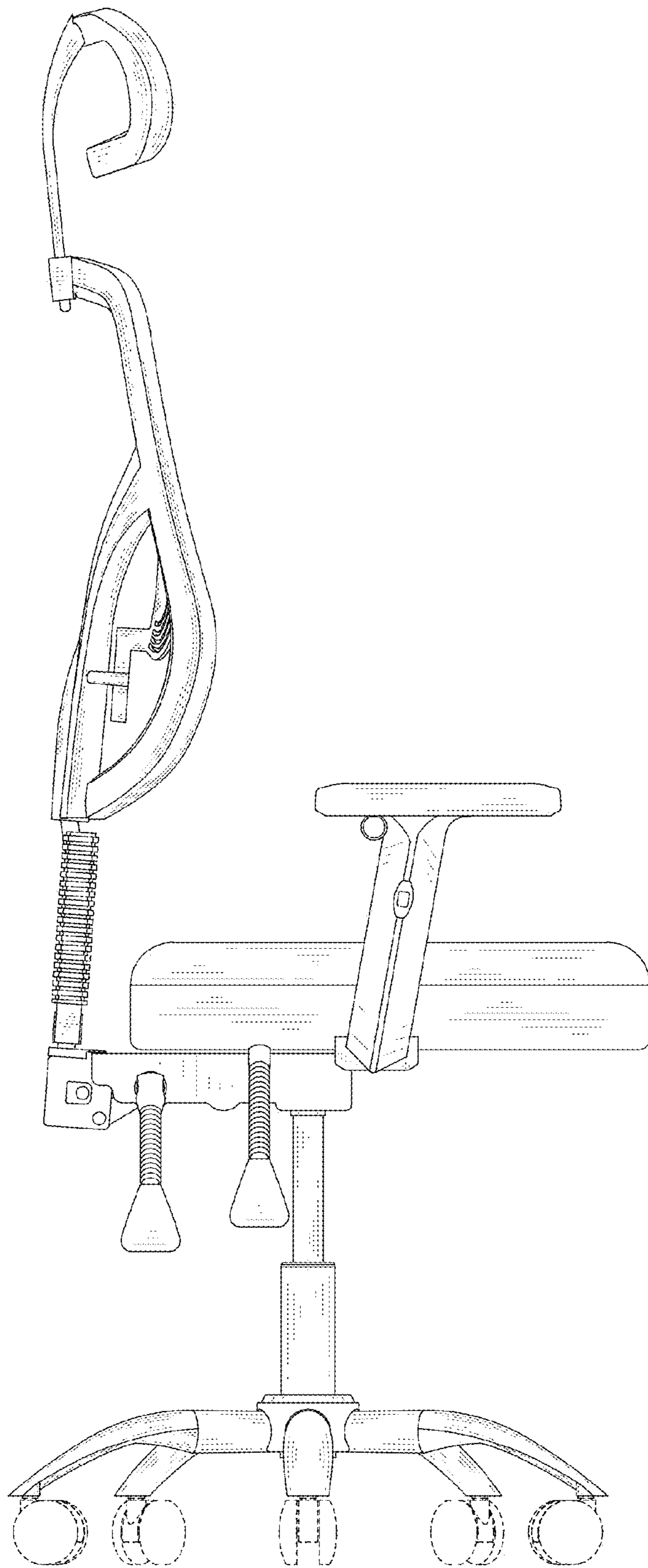


FIG. 4

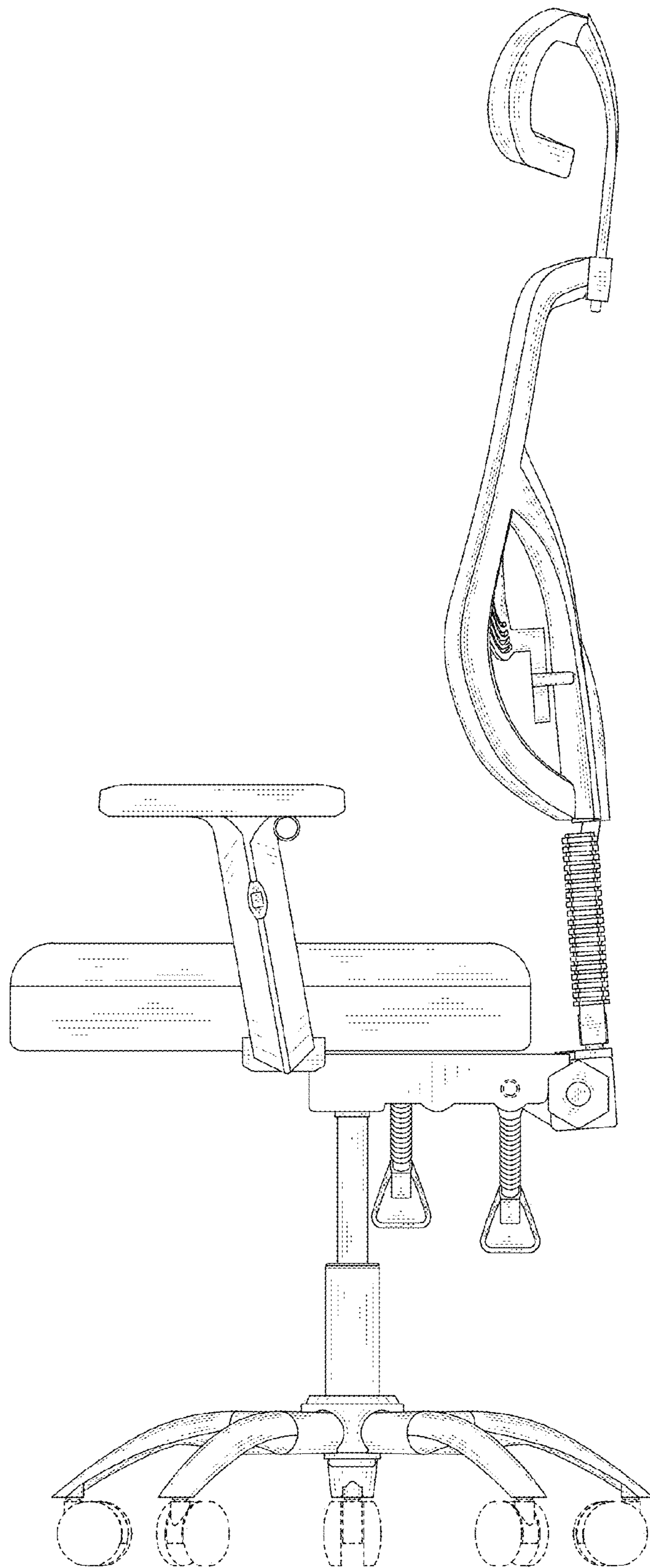


FIG. 5

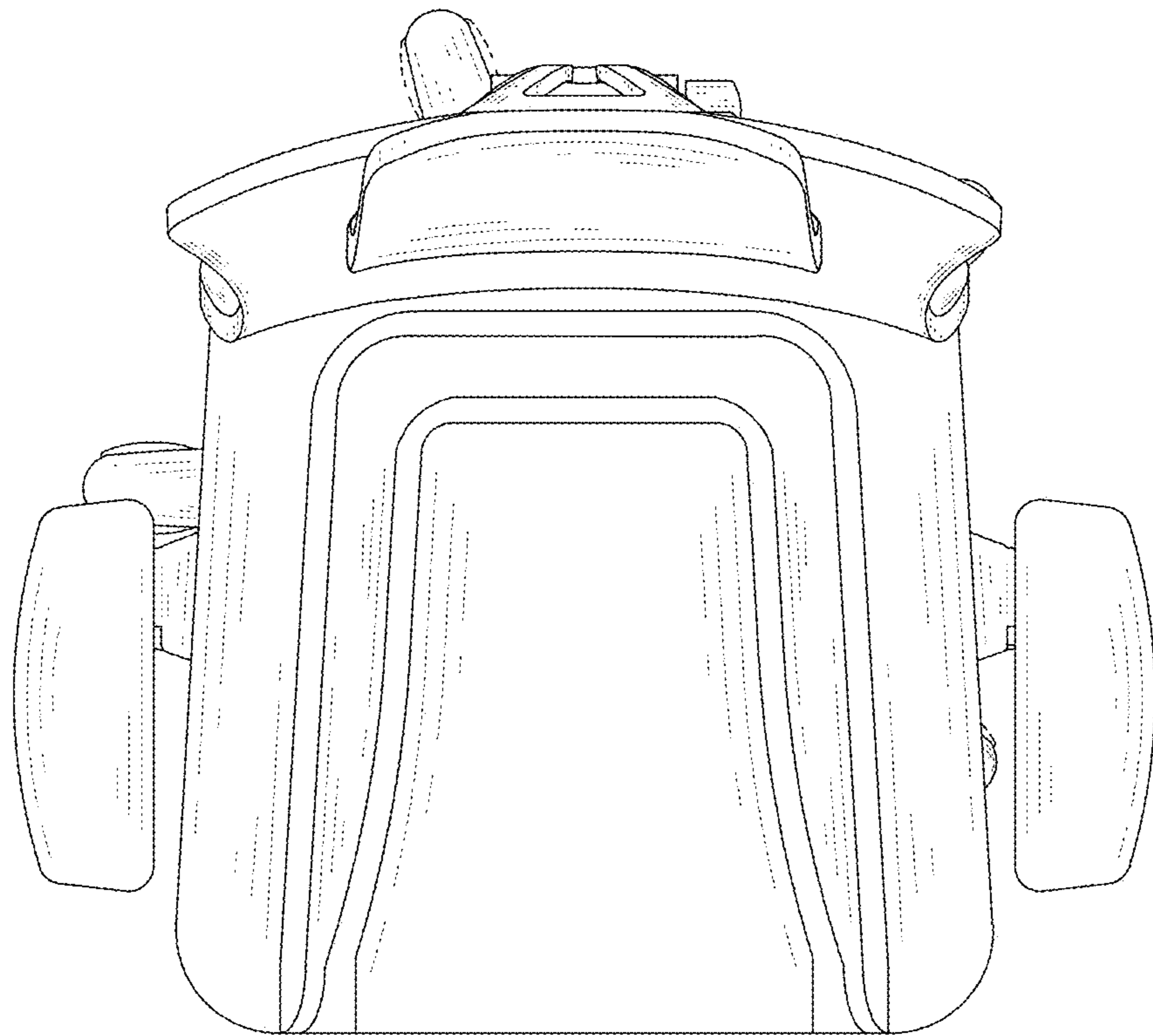


FIG. 6

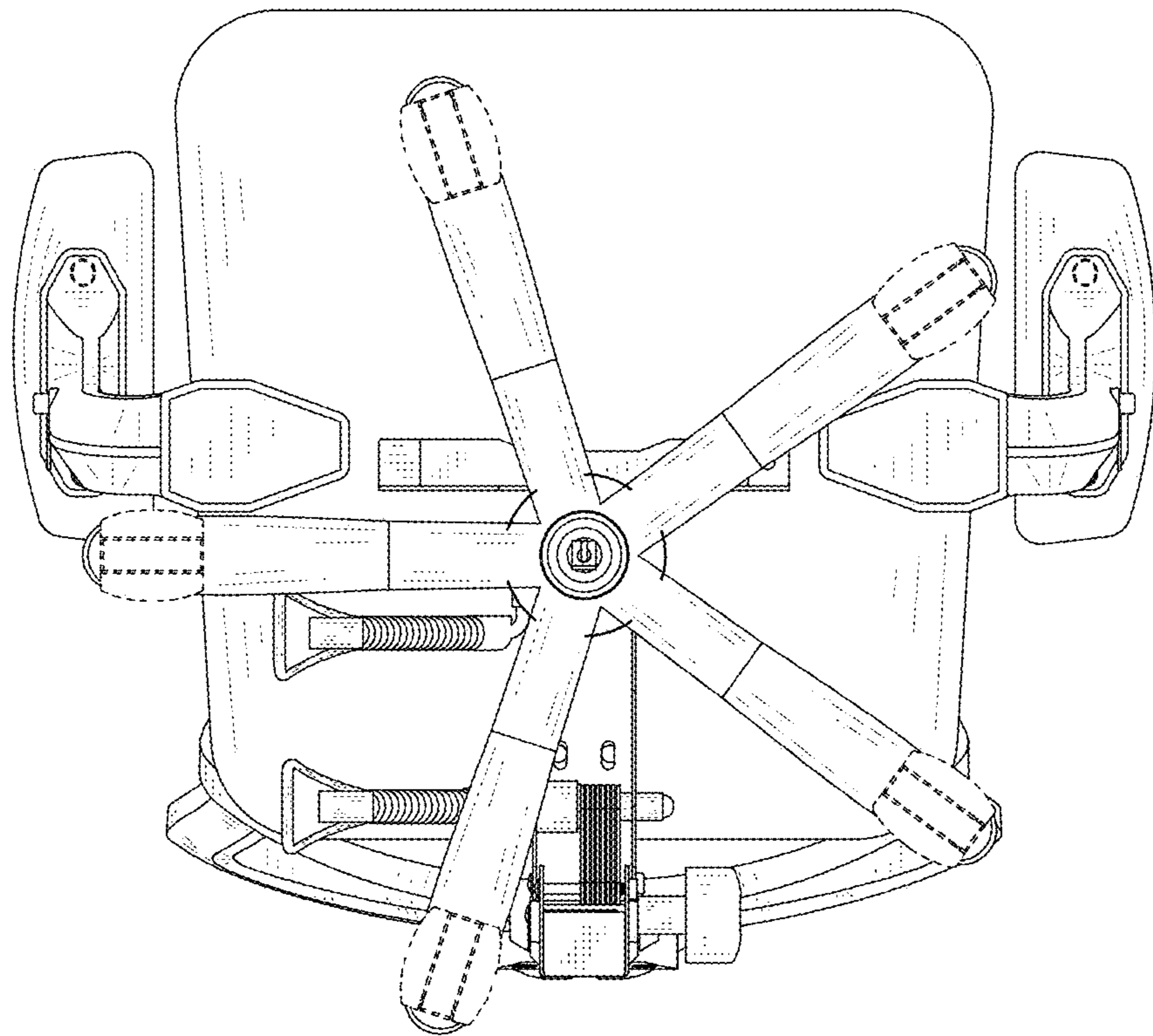


FIG. 7