



US00D944025S

(12) **United States Design Patent**
Buffon

(10) **Patent No.:** **US D944,025 S**

(45) **Date of Patent:** **** Feb. 22, 2022**

(54) **CHAIR**

(71) Applicant: **FOSHAN ORCCO FURNITURE CO., LTD**, Foshan (CN)

(72) Inventor: **Oscar Buffon**, Valdobbiadene (IT)

(73) Assignee: **FOSHAN ORCCO FURNITURE CO., LTD**, Foshan (CN)

(**) Term: **15 Years**

(21) Appl. No.: **29/743,818**

(22) Filed: **Jul. 24, 2020**

(30) **Foreign Application Priority Data**

May 14, 2020 (CN) 202030219499.1

(51) **LOC (13) Cl.** **06-01**

(52) **U.S. Cl.**
USPC **D6/366**

(58) **Field of Classification Search**

USPC D6/334, 366, 367, 374, 375, 379, 380,
D6/716, 716.1, 716.2, 716.4

CPC A47C 1/02; A47C 1/024; A47C 1/03255;
A47C 3/18; A47C 3/20; A47C 7/18;
A47C 7/24; A47C 7/36; A47C 7/38;
A47C 7/40; A47C 7/46; A47C 7/54

See application file for complete search history.

(56) **References Cited**

U.S. PATENT DOCUMENTS

9,084,487 B1 * 7/2015 Su A47C 1/0305
D792,717 S * 7/2017 Webb D6/366

D902,614 S * 11/2020 Peng D6/366
D909,084 S * 2/2021 Dai D6/366
D912,418 S * 3/2021 Chen D6/366
D912,421 S * 3/2021 Chen D6/366
D927,908 S * 8/2021 Chen D6/716.4
D929,784 S * 9/2021 Su D6/716.4
2002/0036420 A1 * 3/2002 Footitt A47C 1/03255
297/284.4
2011/0215623 A1 * 9/2011 Tsai A47C 7/405
297/301.1
2021/0244190 A1 * 8/2021 Mazlish A47C 7/46

* cited by examiner

Primary Examiner — R. Johnson

(74) *Attorney, Agent, or Firm* — Banner & Witcoff, Ltd.

(57) **CLAIM**

The ornamental design for a chair, as shown and described.

DESCRIPTION

FIG. 1 is a front, top, right perspective view of a chair, showing my new design;

FIG. 2 is a rear, bottom, left perspective view thereof;

FIG. 3 is a front elevation view thereof;

FIG. 4 is a rear elevation view thereof;

FIG. 5 is a left side view thereof;

FIG. 6 is a right side view thereof;

FIG. 7 is a top view thereof;

FIG. 8 is a bottom view thereof;

FIG. 9 is an enlarged view, taken at line 9 in FIG. 1; and,

FIG. 10 is an enlarged view, taken at line 10 in FIG. 2.

The broken lines in the drawings are for the purpose of illustrating unclaimed portions of the chair and form no part of the claimed design.

1 Claim, 10 Drawing Sheets



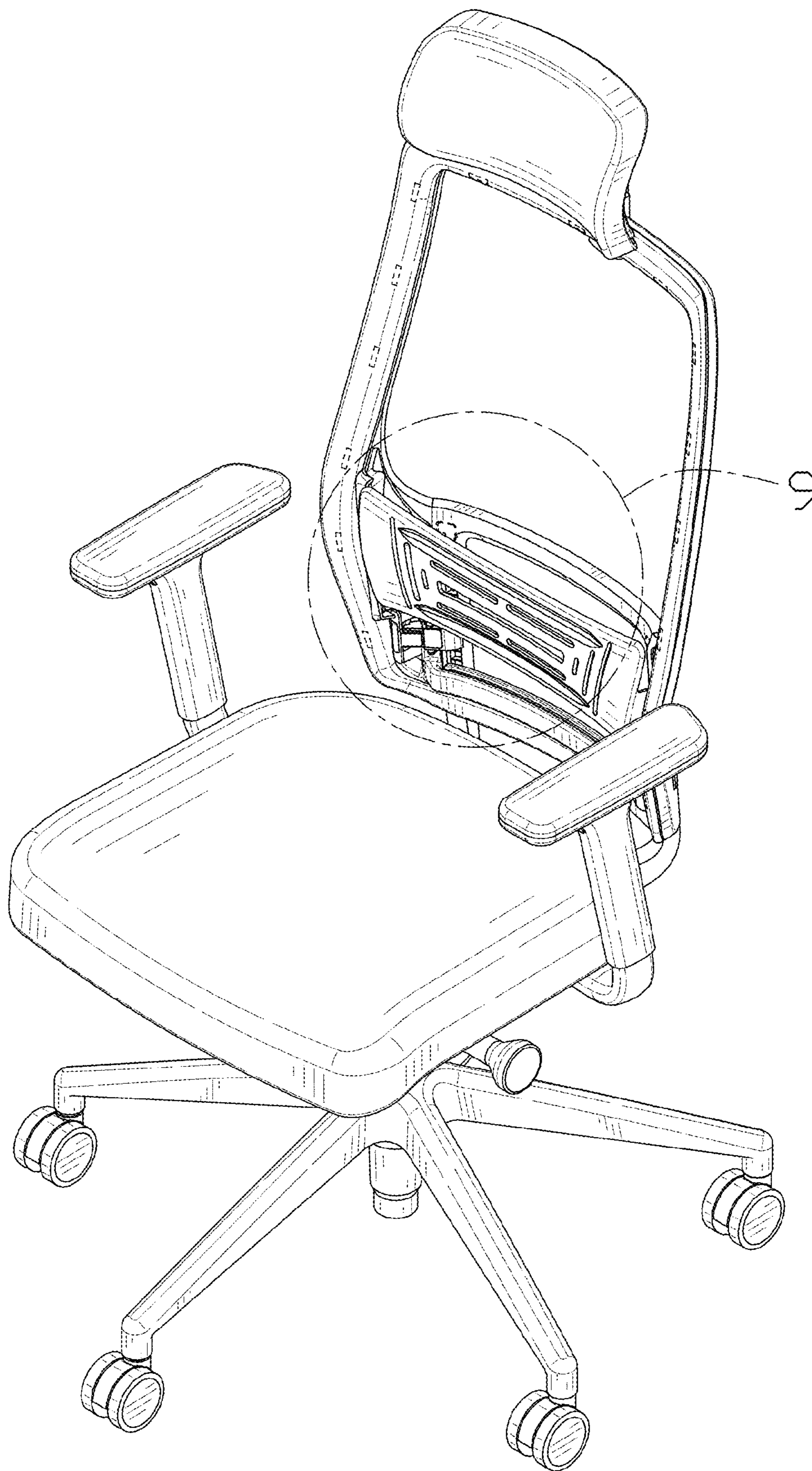


FIG. 1

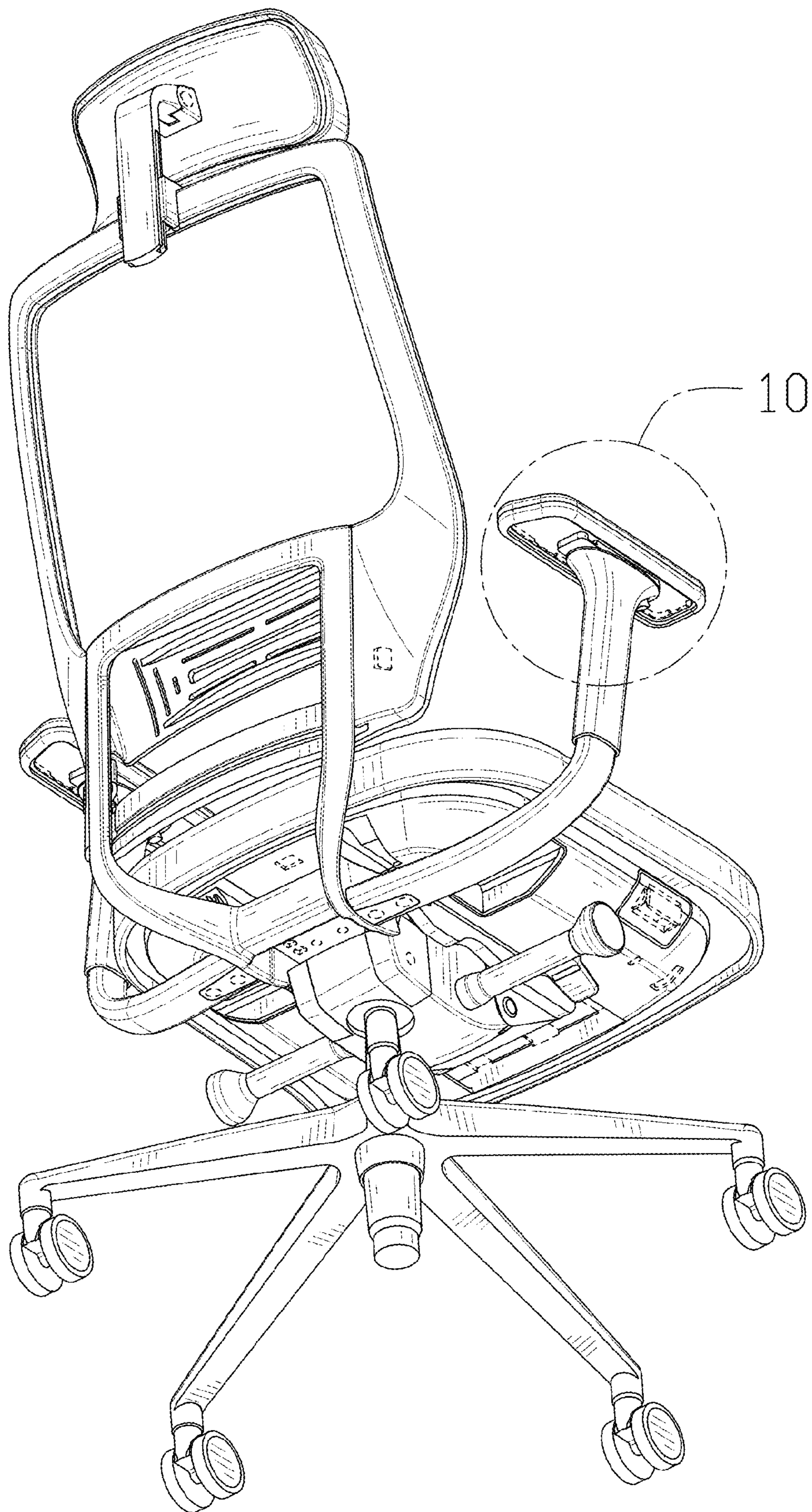


FIG. 2

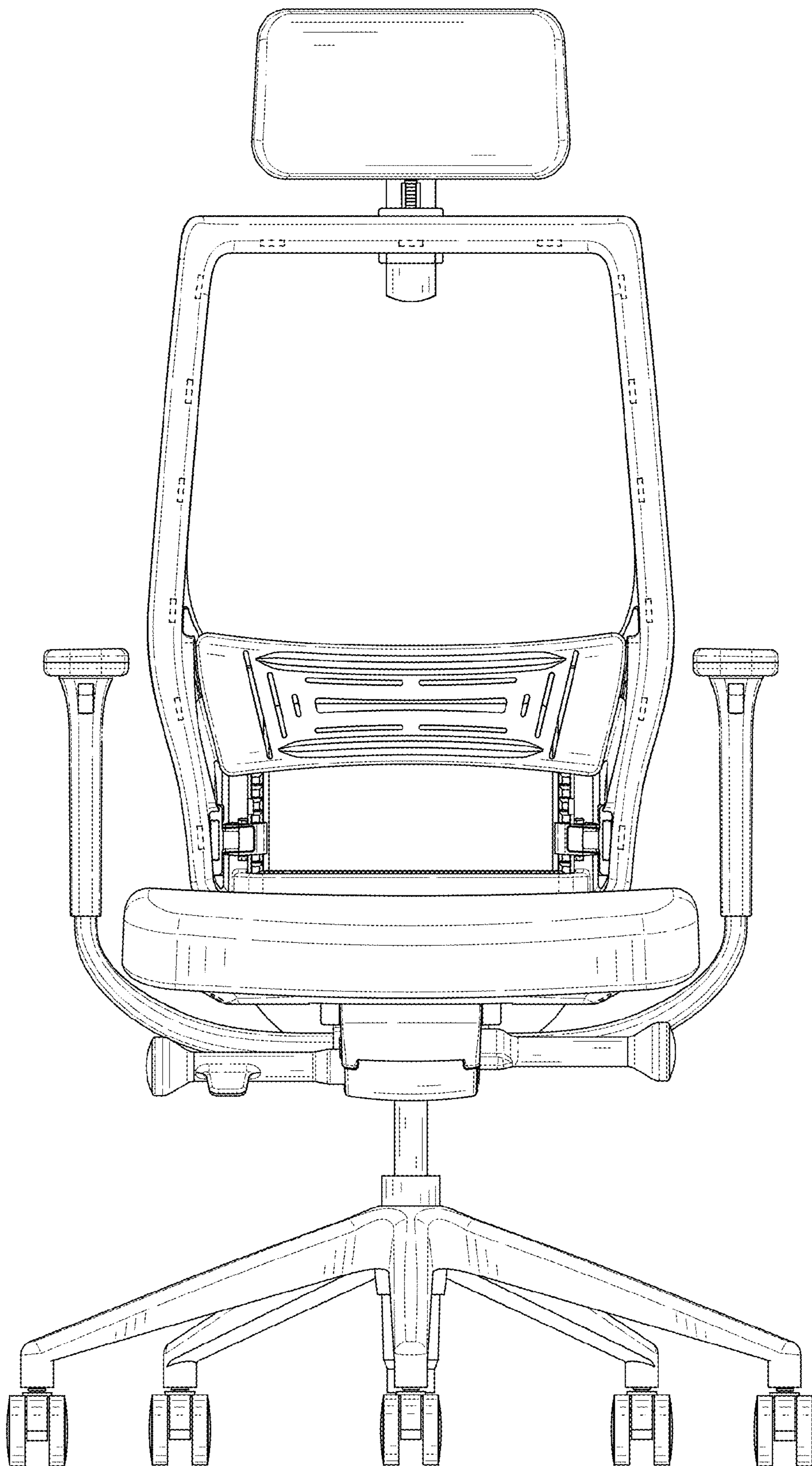


FIG. 3

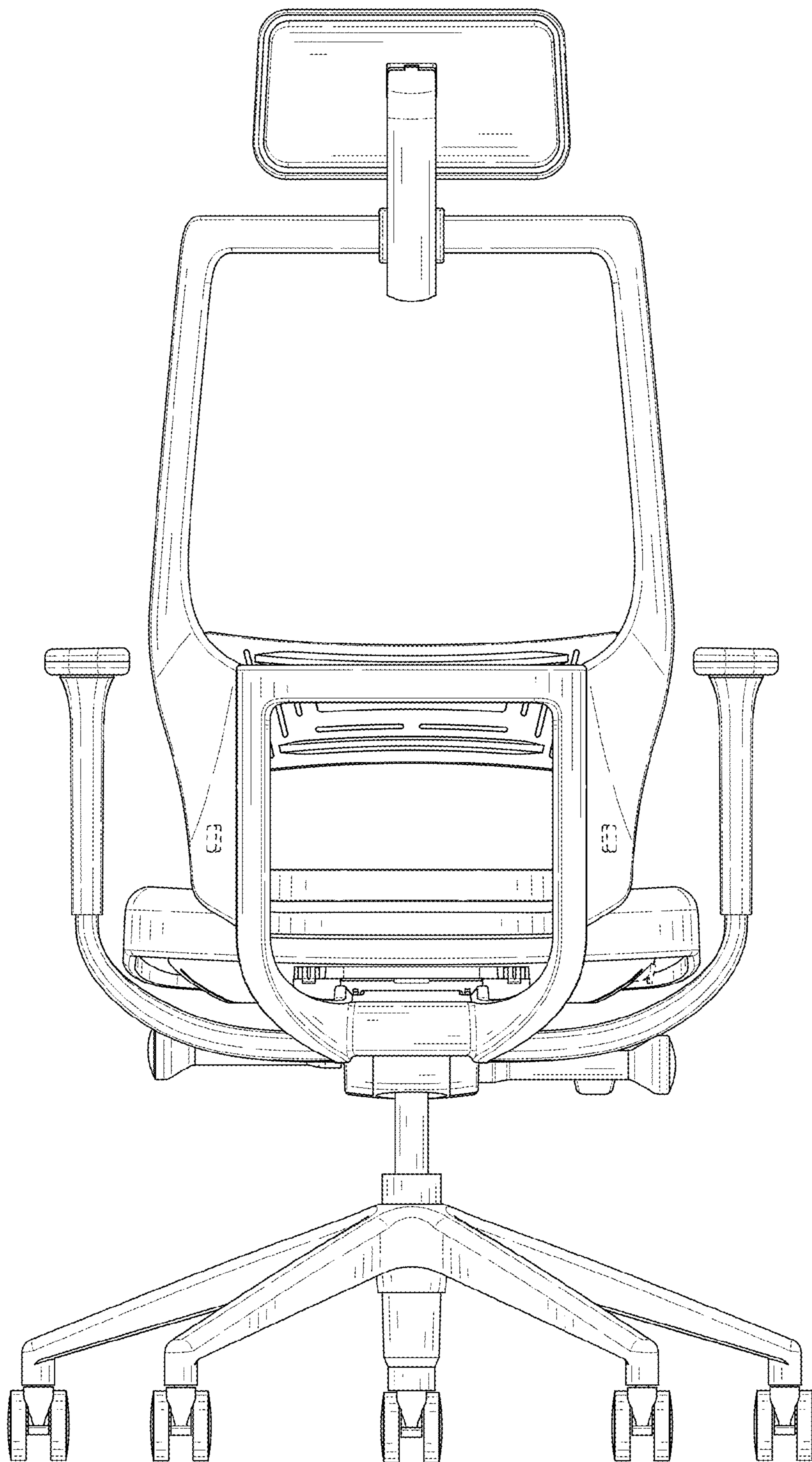


FIG. 4

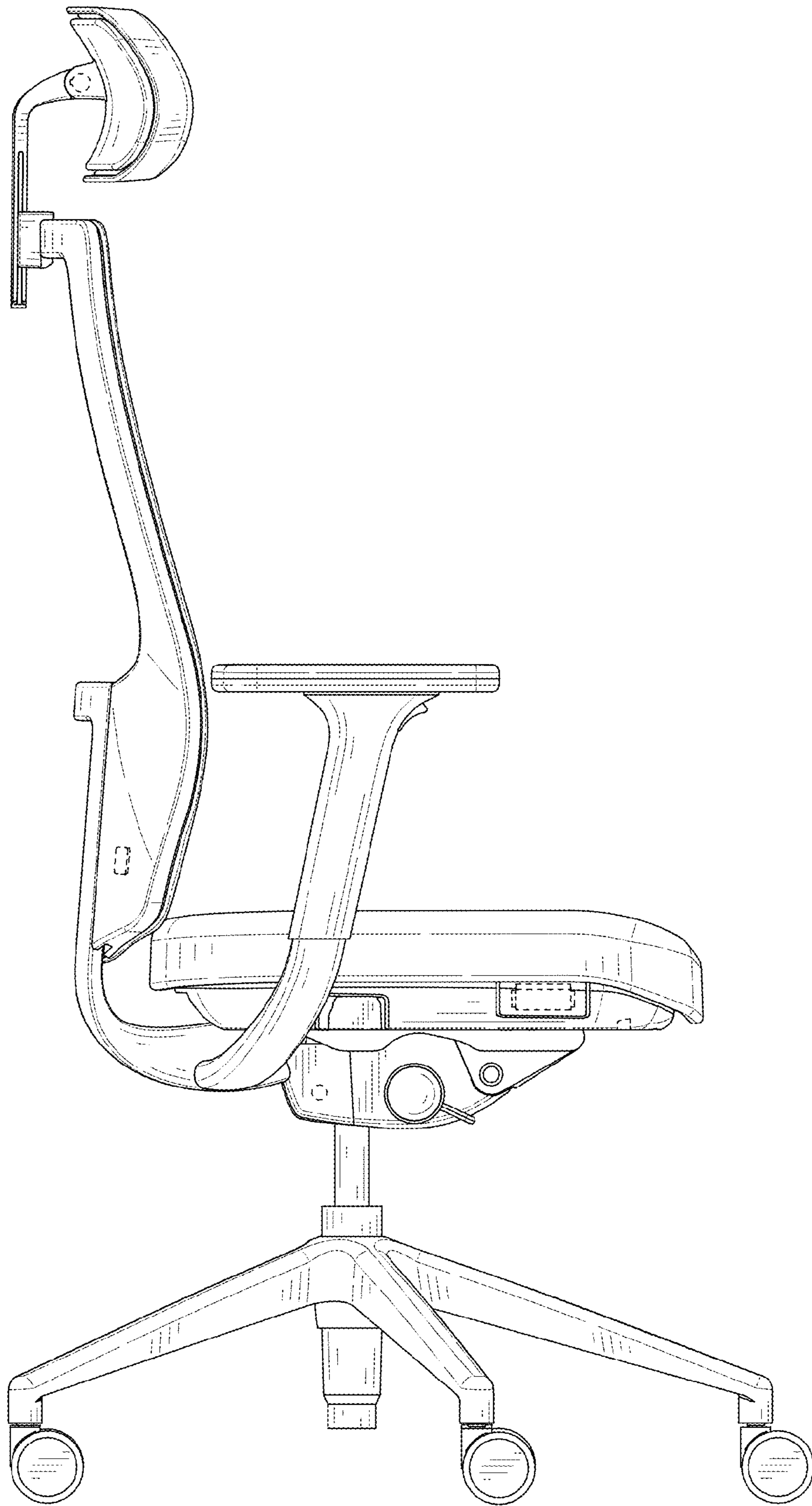


FIG. 5

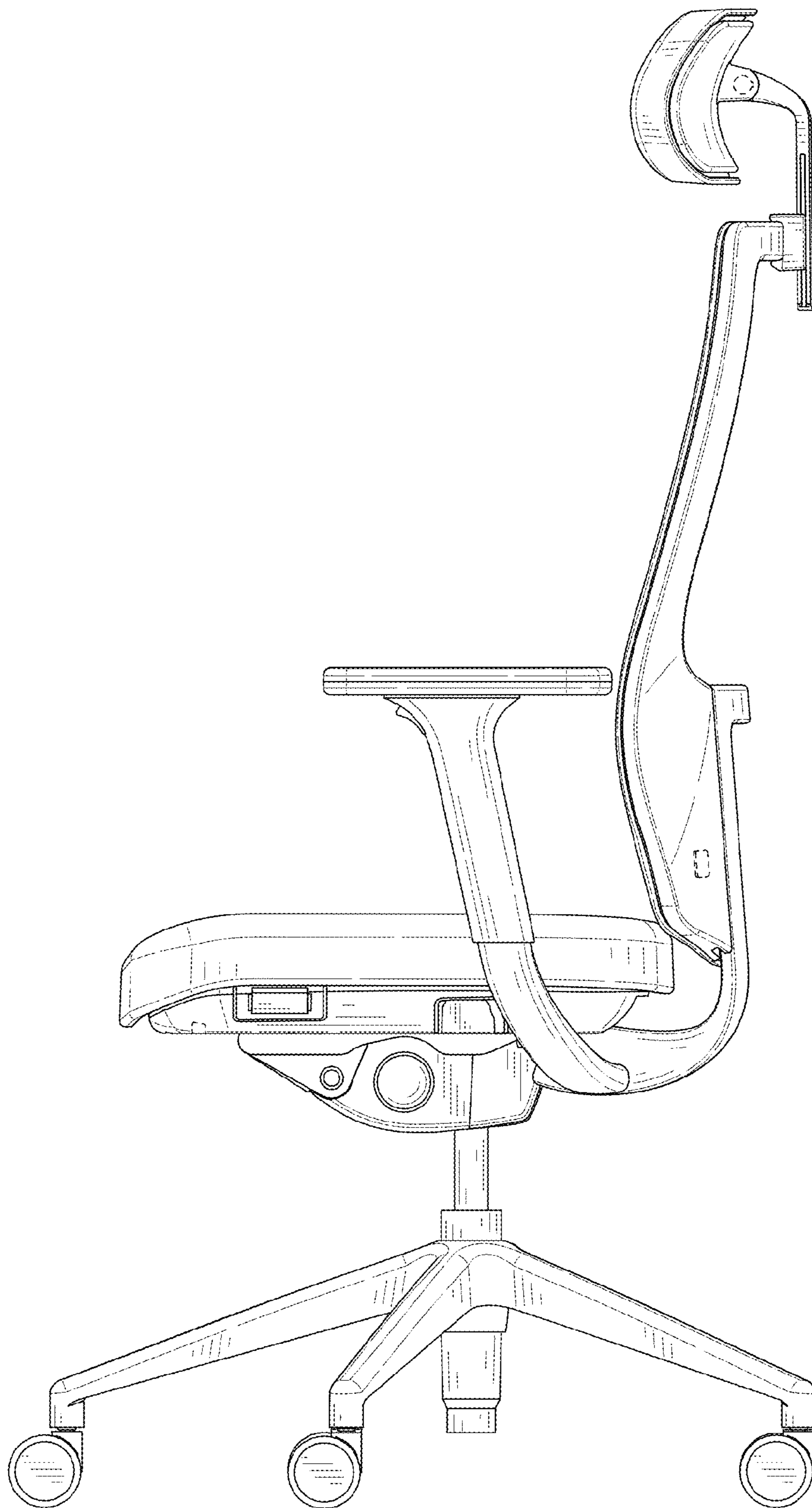


FIG. 6

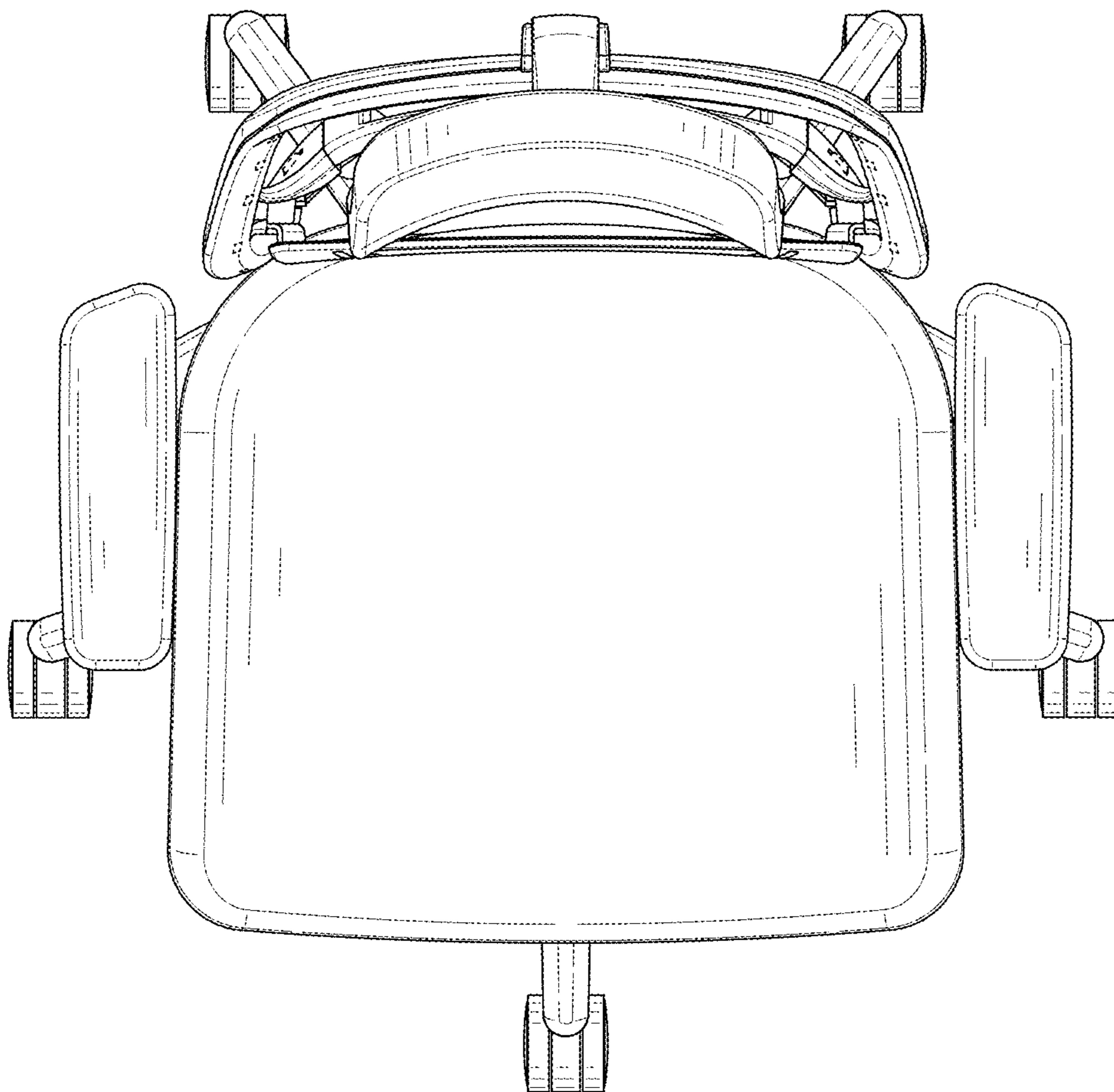


FIG. 7

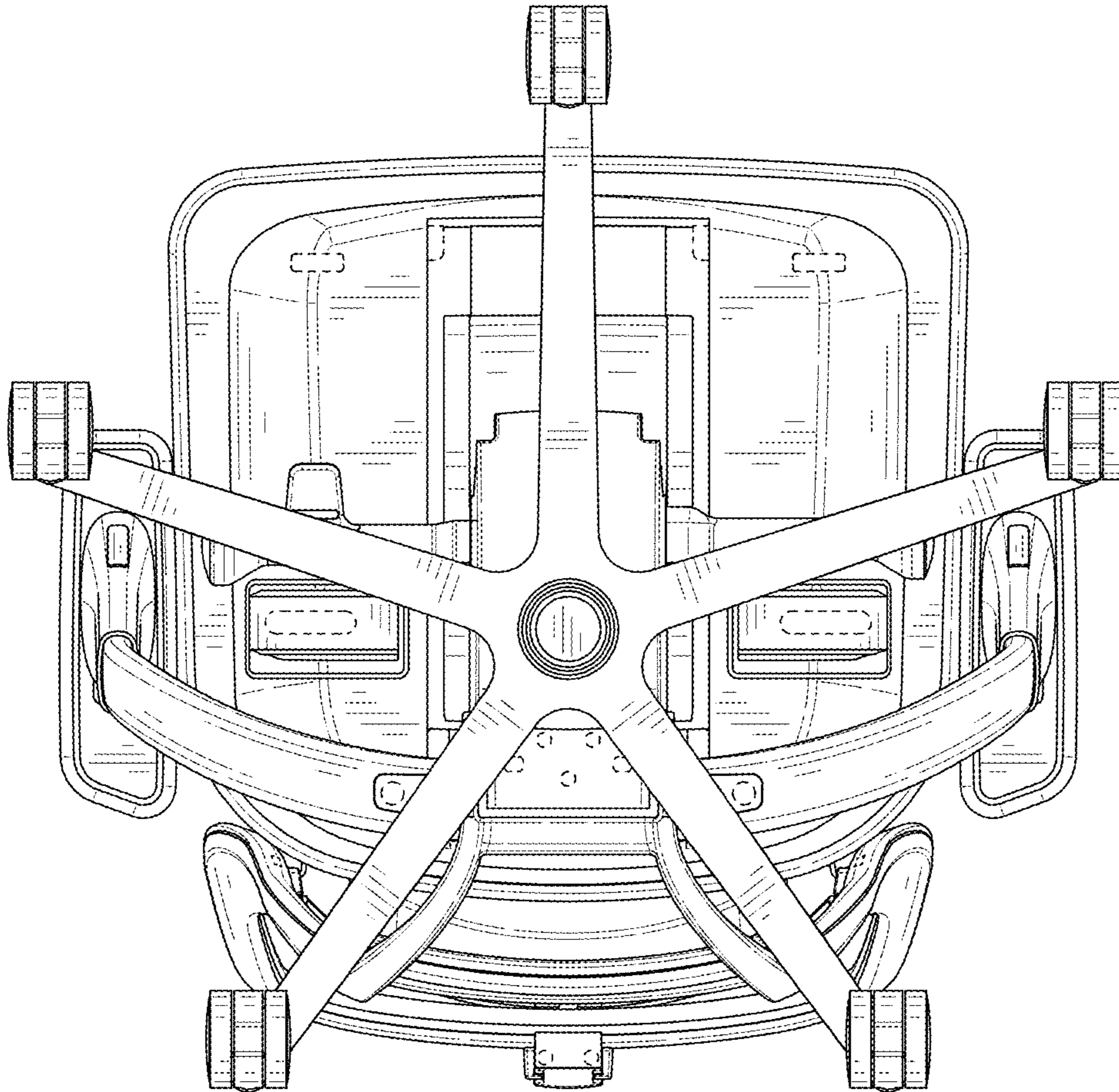


FIG. 8

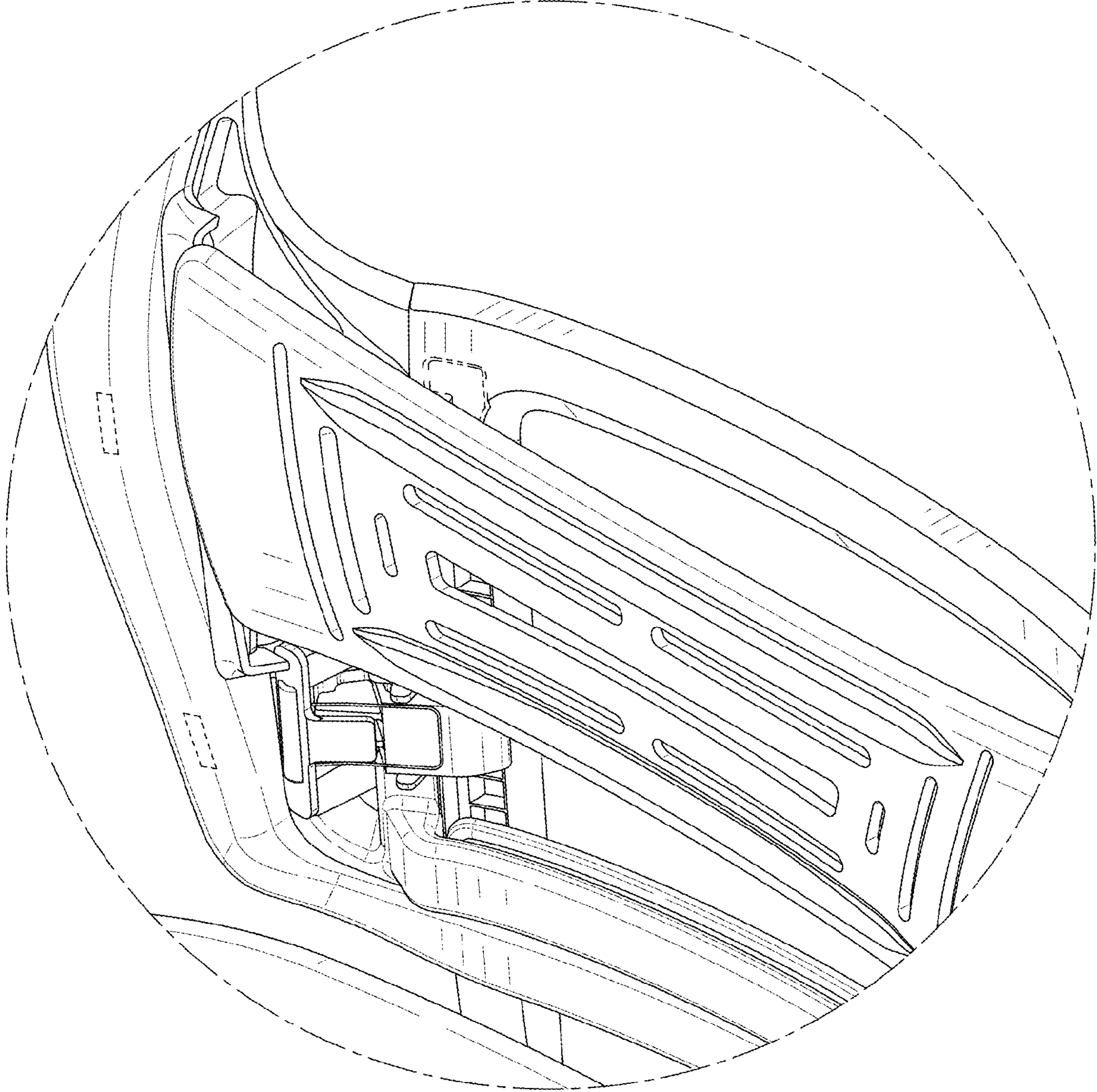


FIG. 9



FIG. 10