



US00D944022S

(12) **United States Design Patent**
Tian

(10) **Patent No.:** **US D944,022 S**
(45) **Date of Patent:** **** Feb. 22, 2022**

(54) **SOFA**

FOREIGN PATENT DOCUMENTS

(71) Applicant: **Mulan Tian**, Shenzhen (CN)

EM 008320618-0002 * 12/2020
EM 008678338-0019 * 9/2021

(72) Inventor: **Mulan Tian**, Shenzhen (CN)

(**) Term: **15 Years**

OTHER PUBLICATIONS

(21) Appl. No.: **29/751,662**

Bowery Hill Ashton Saddle Brown Microfiber Reversible Sleeper [online], [site visited Nov. 3, 2021]. Available from internet, URL: <<https://www.amazon.com/BOWERY-HILL-Microfiber-Reversible-Sectional/dp/B07Z99PTTC/>> (Year: 2019).*

(22) Filed: **Sep. 23, 2020**

(51) **LOC (13) Cl.** **06-01**

(52) **U.S. Cl.**

USPC **D6/335**; D6/381

(58) **Field of Classification Search**

USPC D6/334-337, 349, 369, 374, 375, 377, D6/381

CPC .. A47C 7/24; A47C 7/54; A47C 7/541; A47C 7/546; A47C 17/00; A47C 17/02; A47C 17/04; A47C 17/045; A47C 17/12; A47C 17/13; A47C 17/132; A47C 17/134; A47C 17/136; A47C 17/16; A47C 17/162; A47C 17/17

See application file for complete search history.

* cited by examiner

Primary Examiner — Cynthia Ramirez

Assistant Examiner — Xavier Marti-Santos

(57) **CLAIM**

The ornamental design for a sofa, as shown and described.

DESCRIPTION

FIG. 1 is a perspective view of a sofa showing my new design;

FIG. 2 is another perspective view thereof;

FIG. 3 is a front elevational view thereof;

FIG. 4 is a rear elevational view thereof;

FIG. 5 is a left side elevational view thereof;

FIG. 6 is a right side elevational view thereof;

FIG. 7 is a top plan view thereof;

FIG. 8 is a bottom plan view thereof;

FIG. 9 is a perspective view of the sofa where the sofa is in a folded state; and,

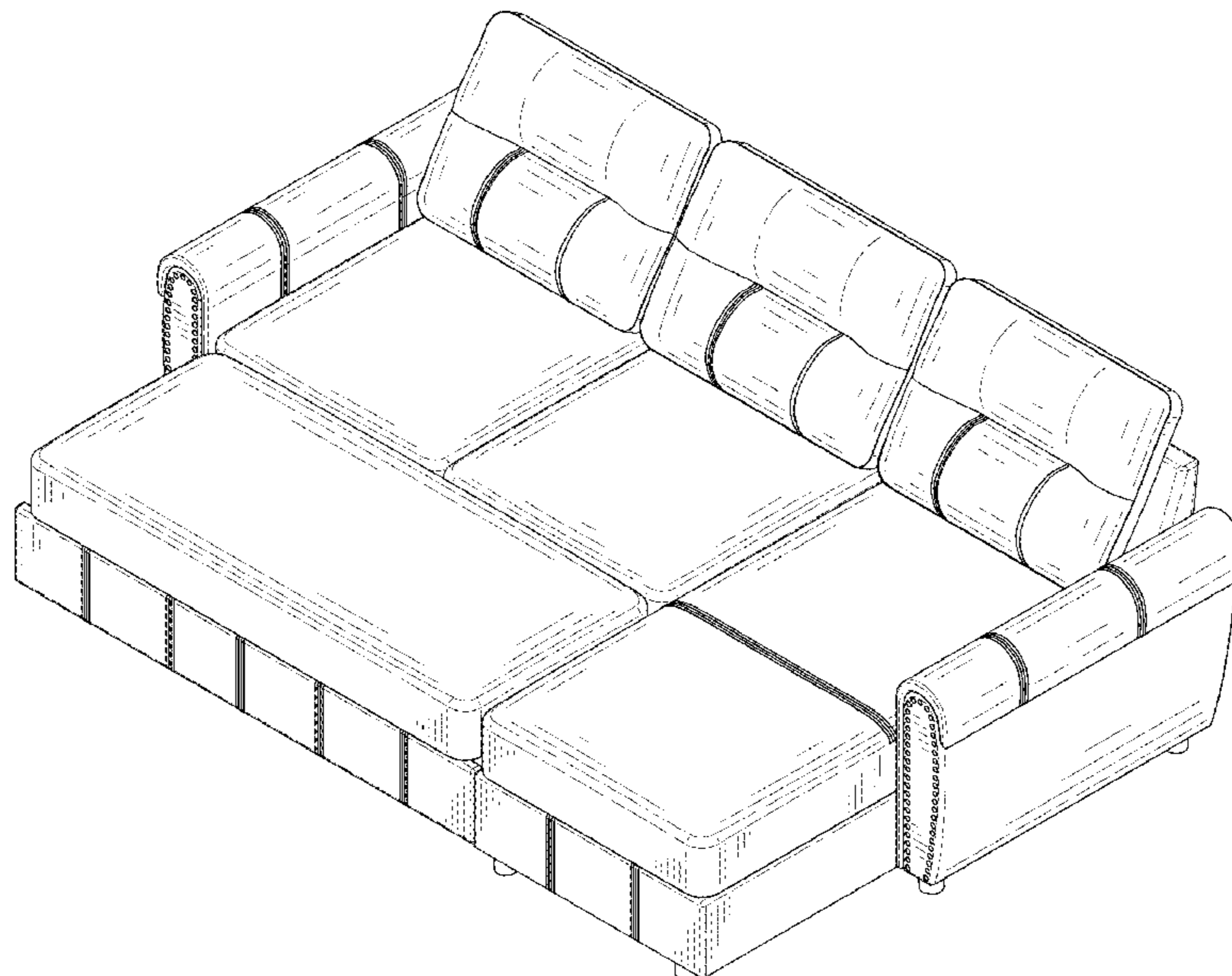
FIG. 10 is an enlarged view of portion 10 shown in FIG. 9. The broken lines in the drawings depict portions of the sofa that form no part of the claimed design. The dash-dot broken lines in the drawings are demarcating enlarged areas and form no part of the claimed design.

(56) **References Cited**

U.S. PATENT DOCUMENTS

| | | | | | | |
|-----------|---|---|---------|------------|-------|-------------|
| 2,852,787 | A | * | 9/1958 | Wilson | | A47C 17/045 |
| | | | | | | 5/2.1 |
| D504,033 | S | * | 4/2005 | Ricci | | D6/335 |
| D584,522 | S | * | 1/2009 | Ricci | | D6/381 |
| D584,525 | S | * | 1/2009 | Ricci | | D6/381 |
| D640,480 | S | * | 6/2011 | Bush | | D6/381 |
| D640,481 | S | * | 6/2011 | Bush | | D6/381 |
| D719,757 | S | * | 12/2014 | Sonmez | | D6/381 |
| D905,454 | S | * | 12/2020 | Kanthasamy | | D6/335 |
| D930,381 | S | * | 9/2021 | Nie | | D6/381 |
| D930,382 | S | * | 9/2021 | Tian | | D6/381 |
| D930,383 | S | * | 9/2021 | Nie | | D6/381 |
| D930,384 | S | * | 9/2021 | Nie | | D6/381 |
| D933,378 | S | * | 10/2021 | Tian | | D6/335 |

1 Claim, 10 Drawing Sheets



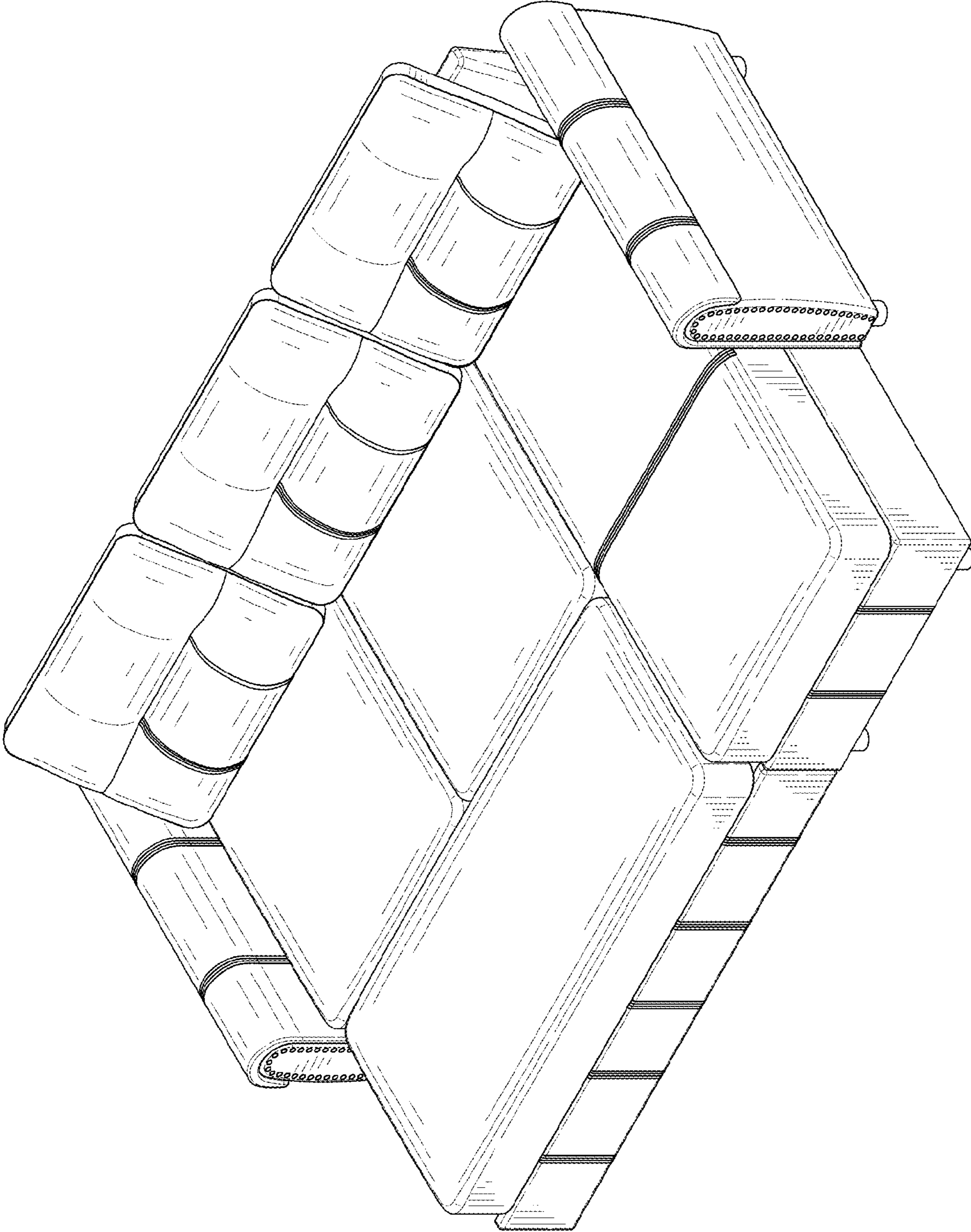


FIG. 1

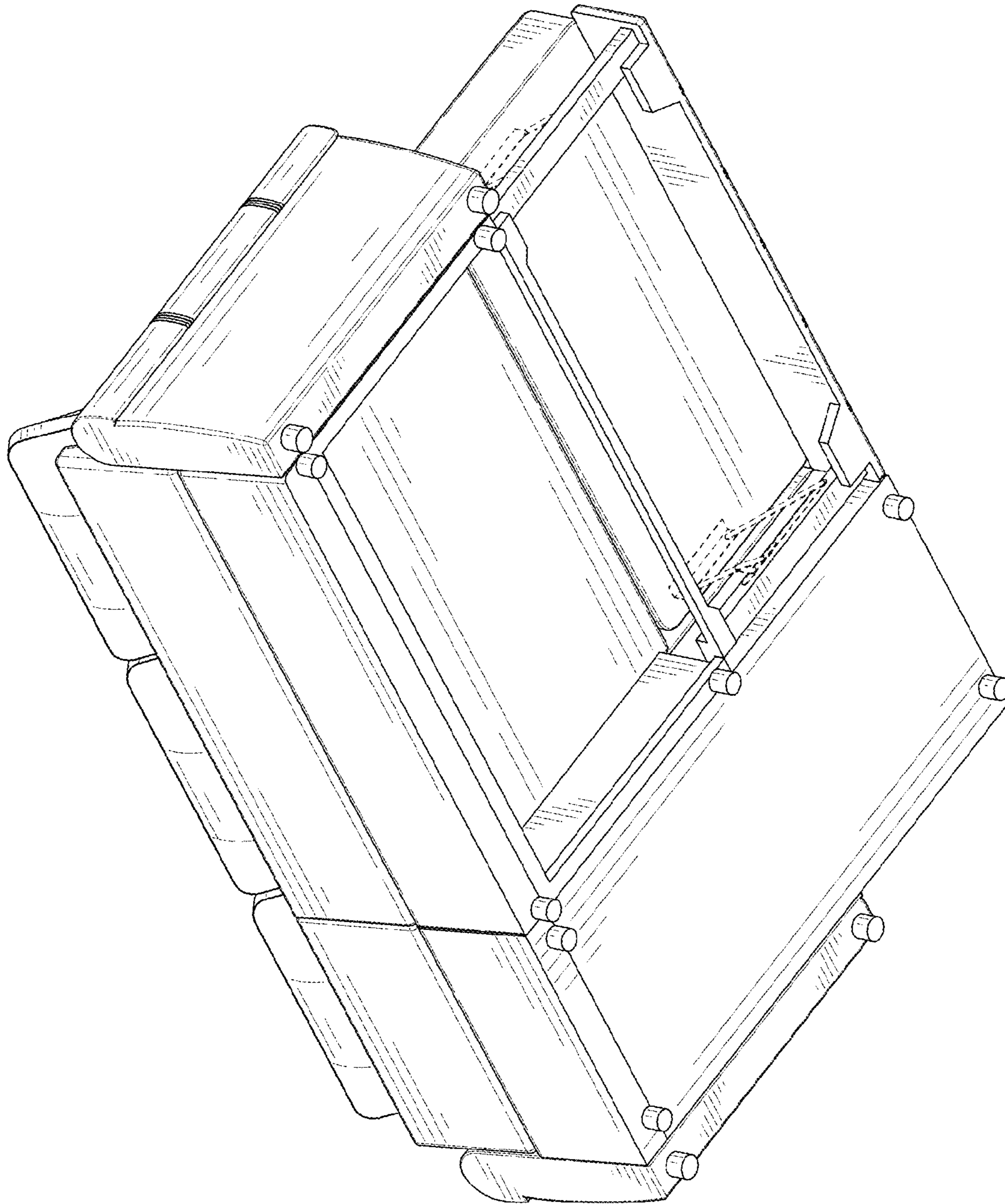


FIG. 2

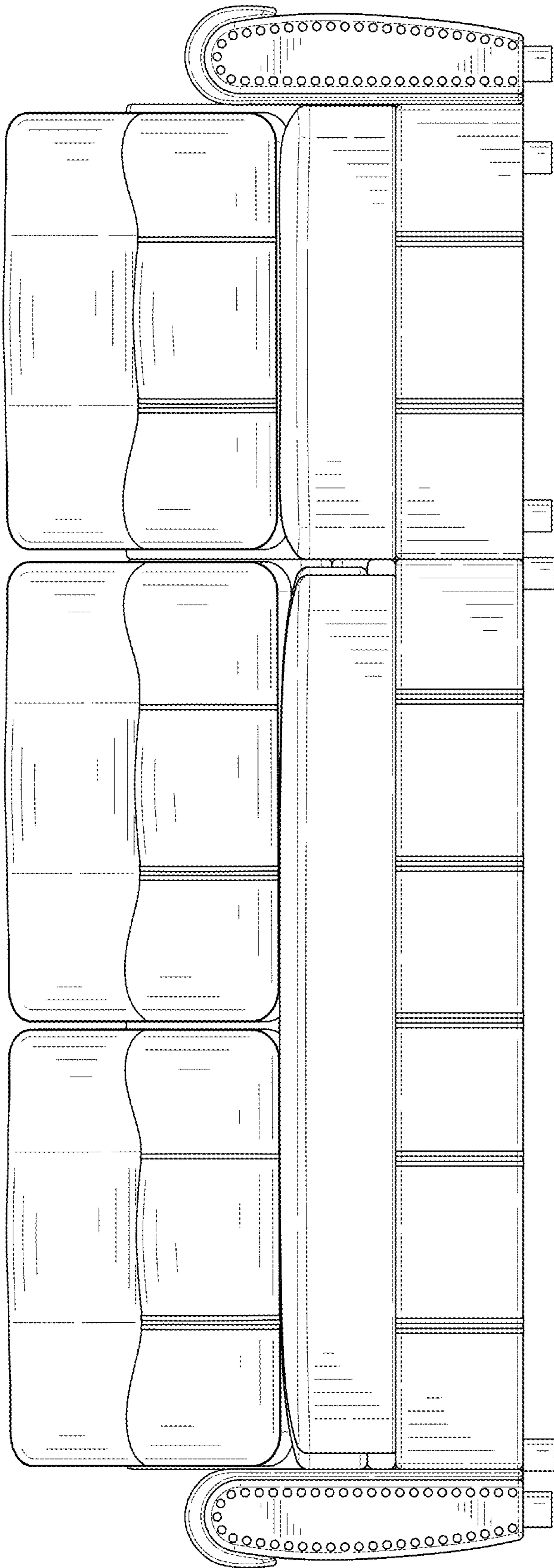


FIG. 3

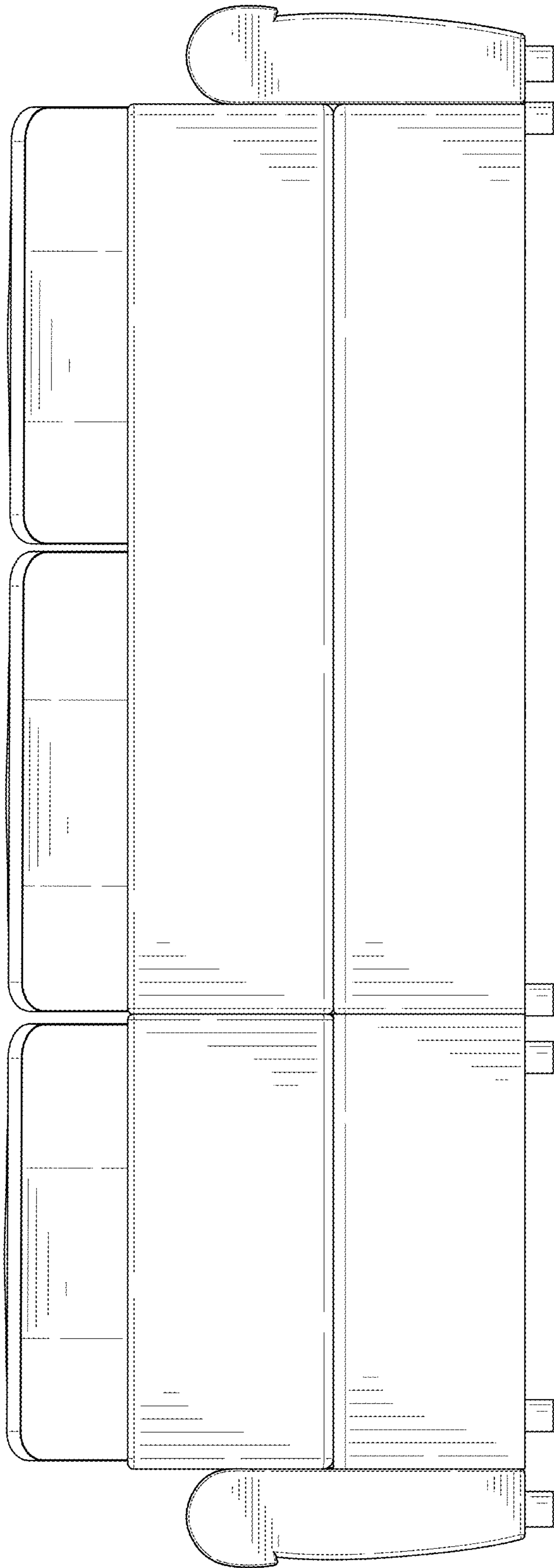


FIG. 4

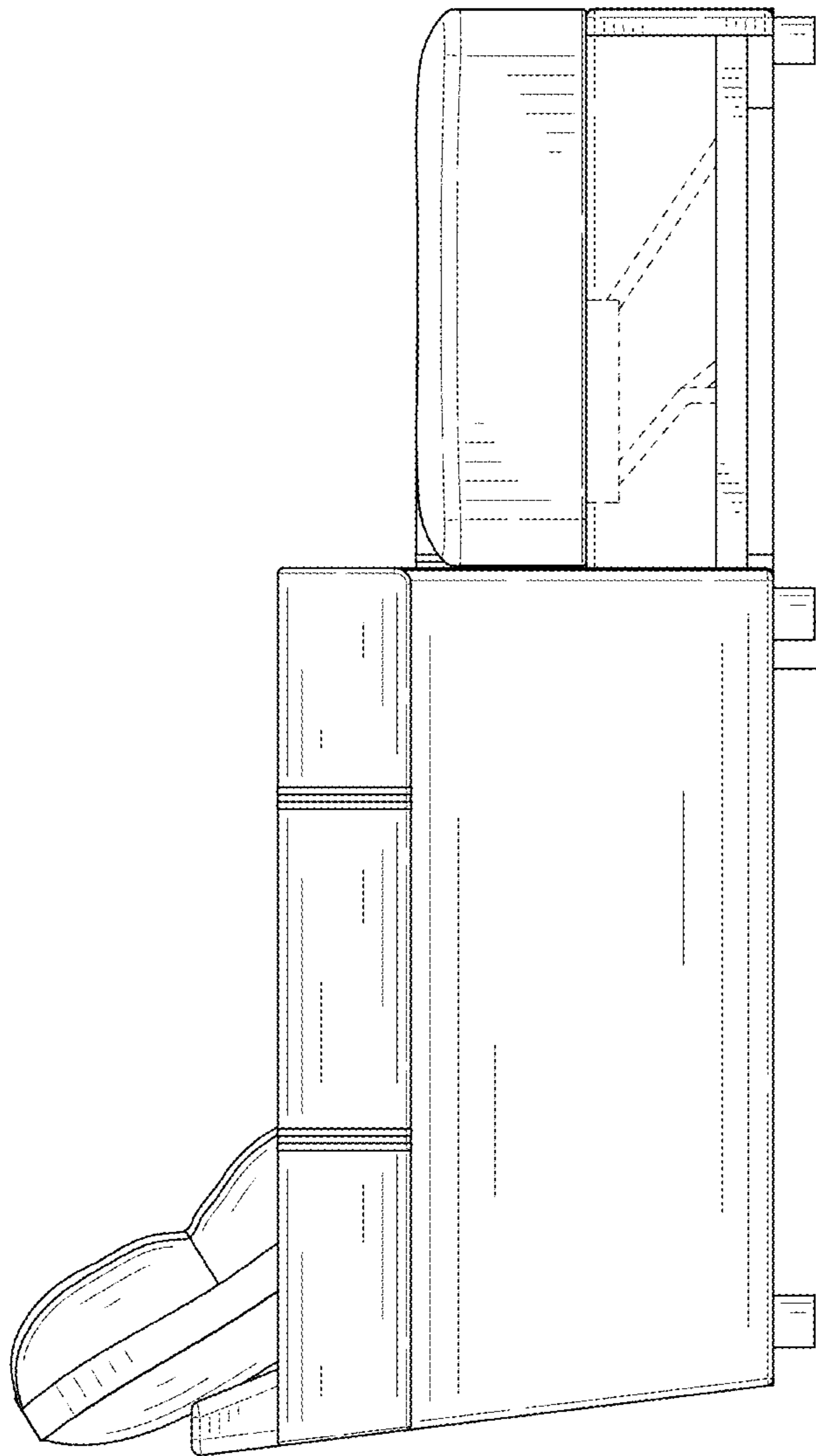


FIG. 5

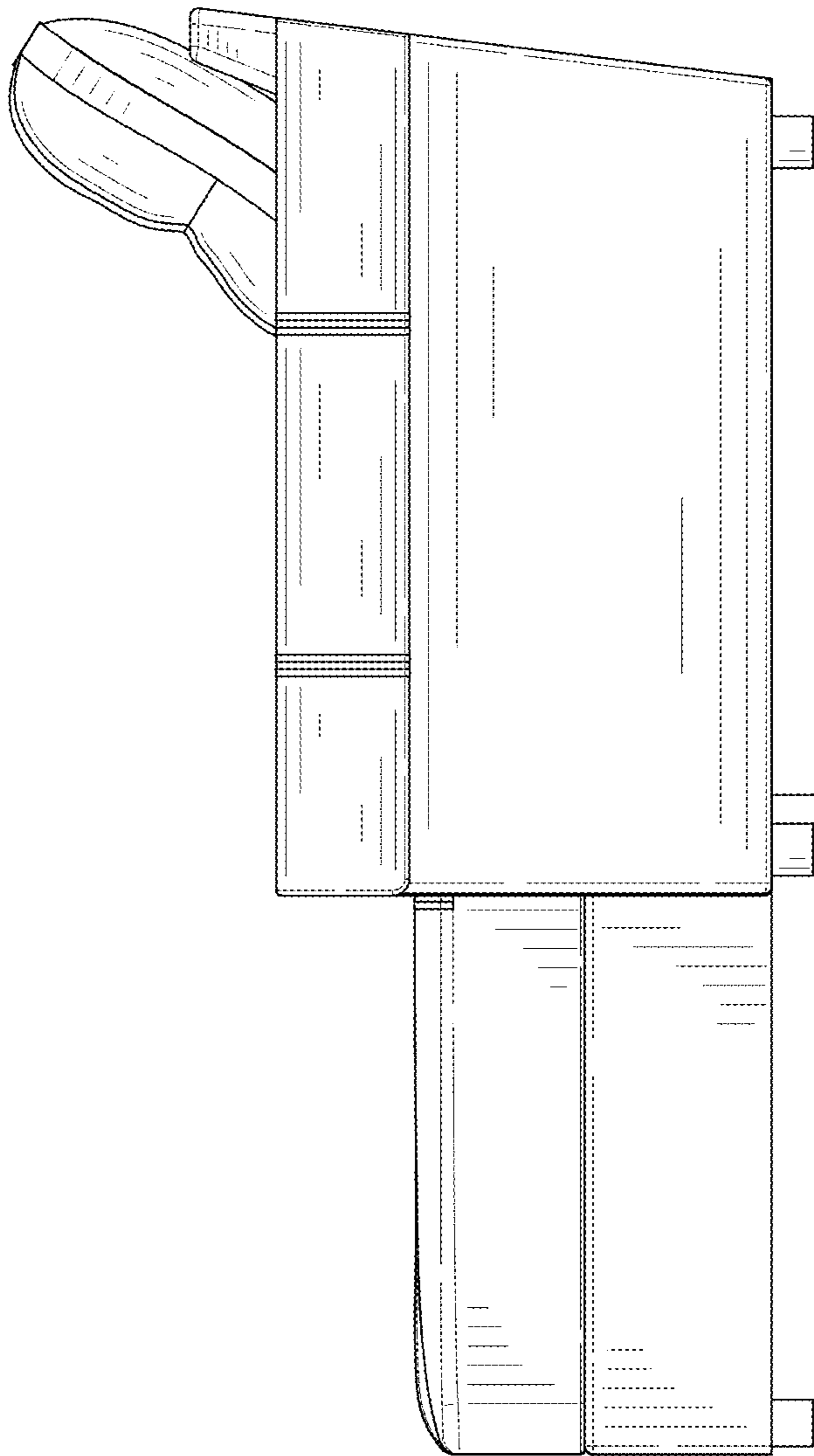


FIG. 6

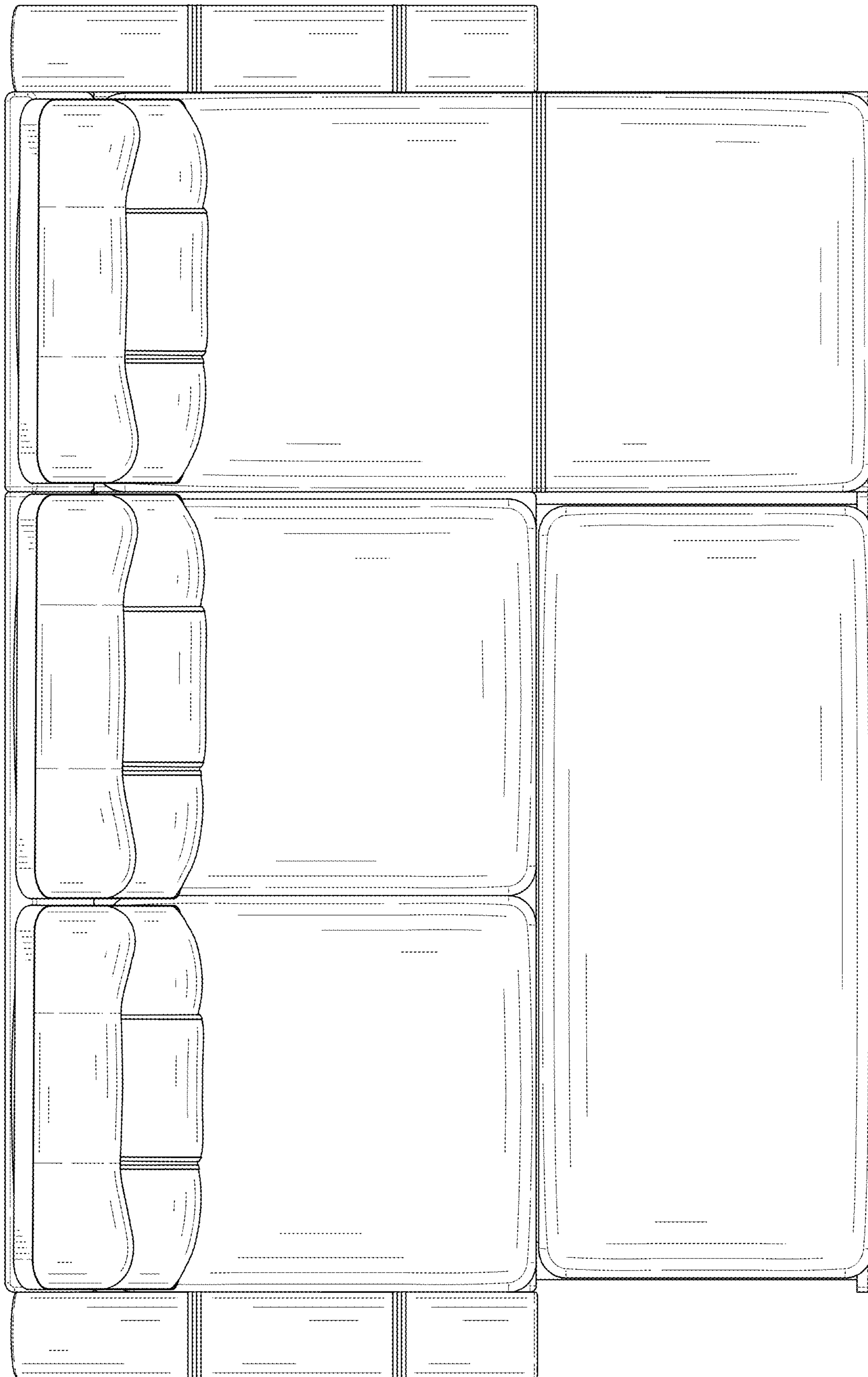


FIG. 7

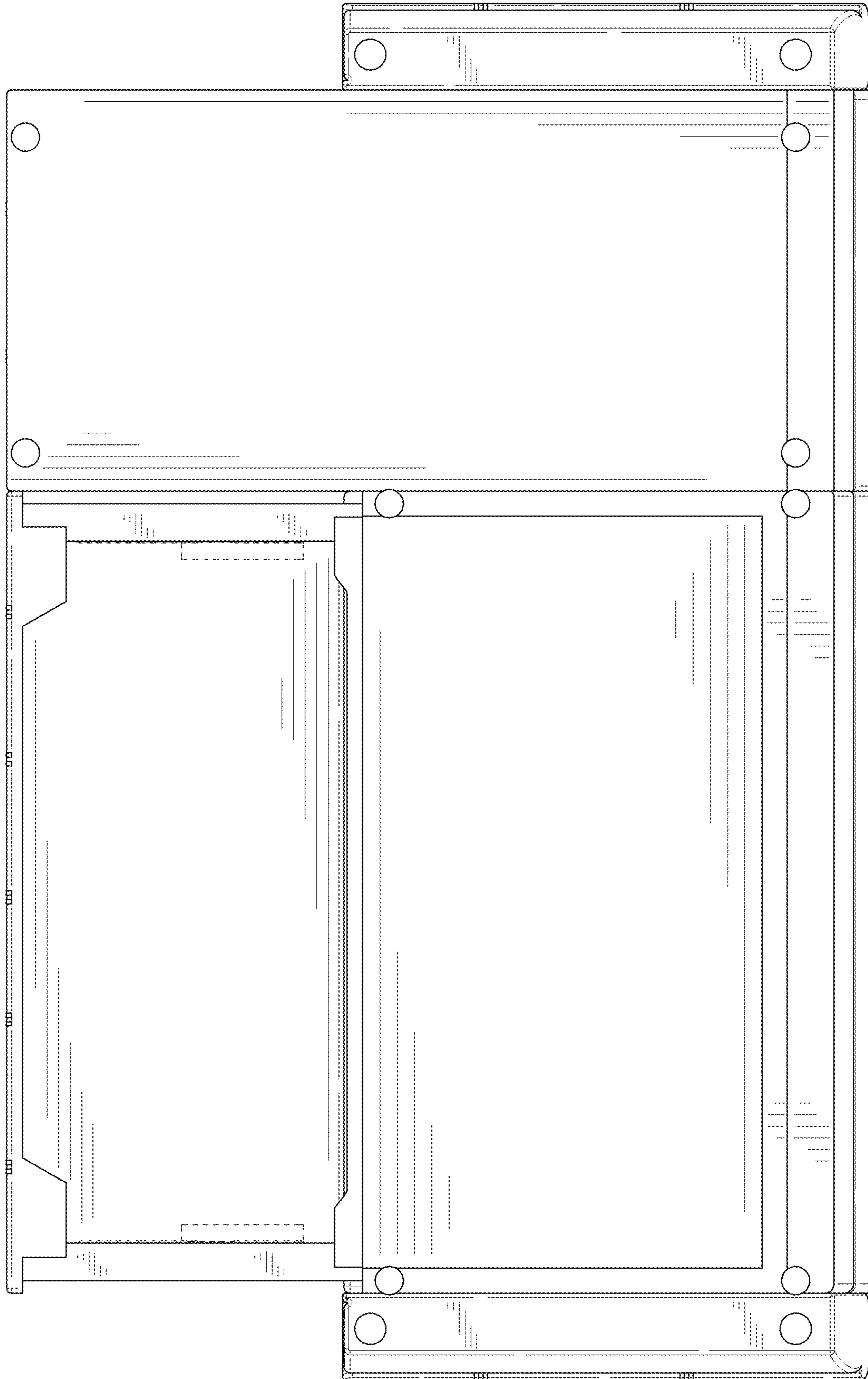


FIG. 8

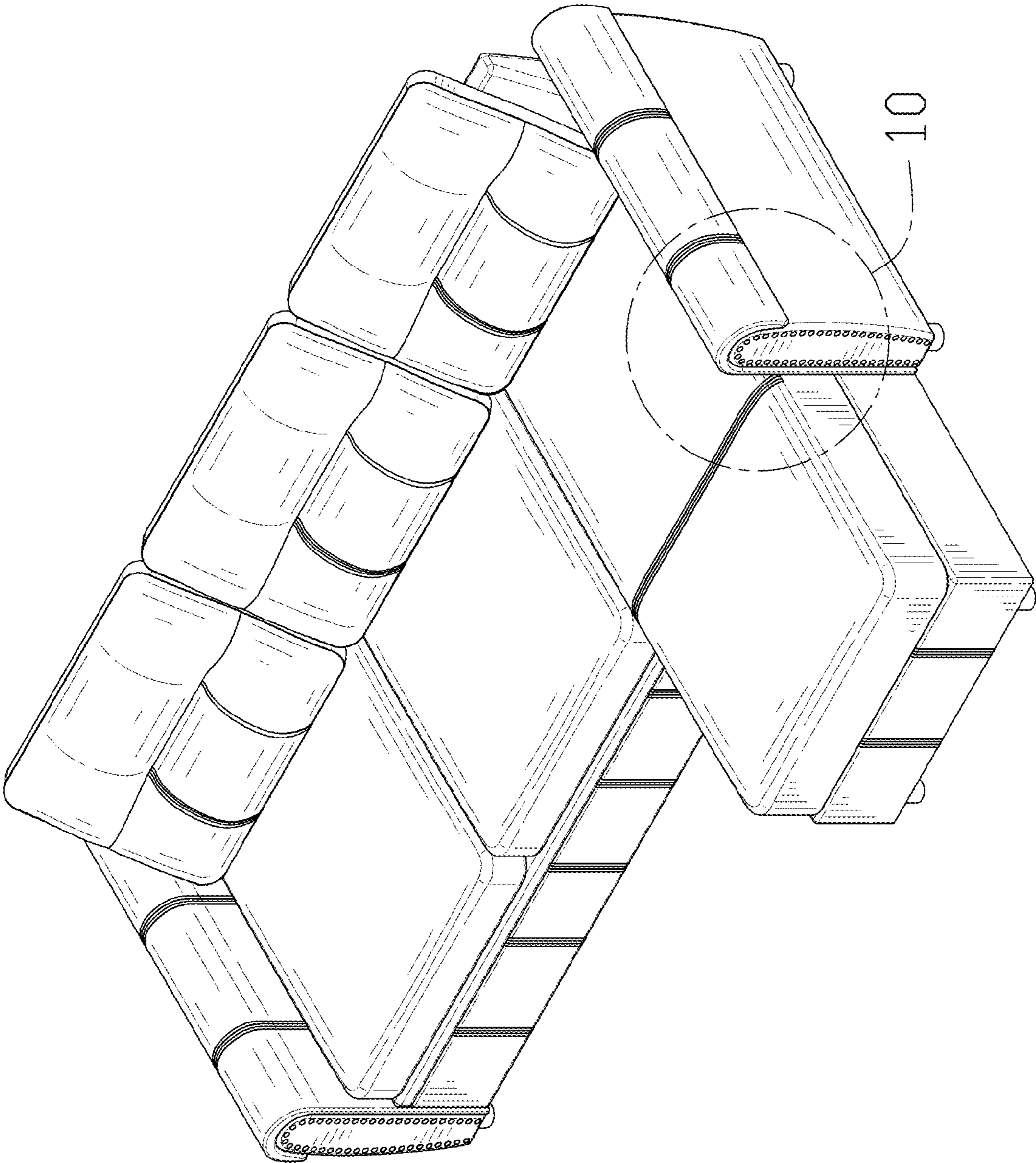


FIG. 9

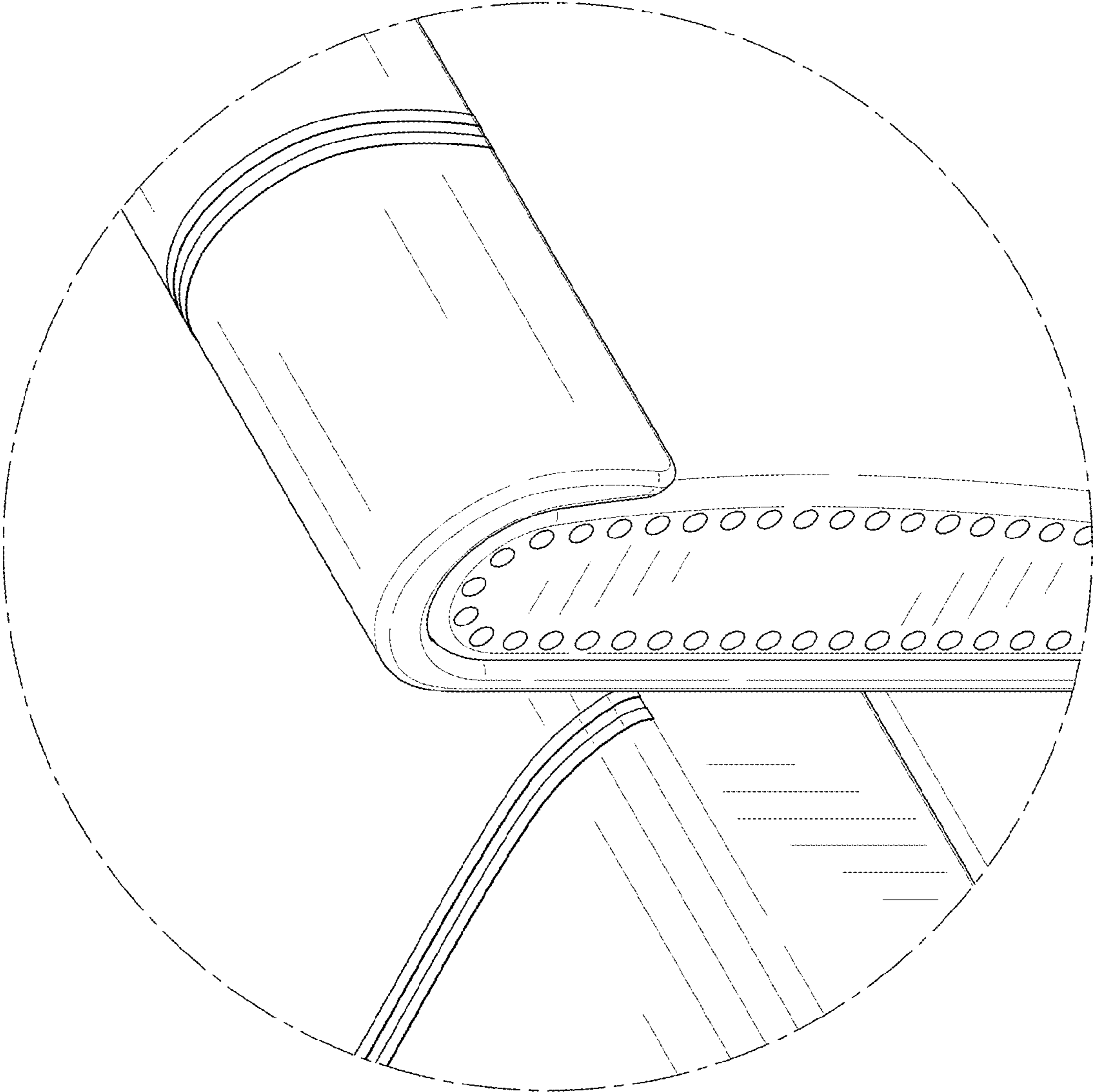


FIG. 10