

US00D944021S

(12) **United States Design Patent** (10) **Patent No.:** **US D944,021 S**
Tian (45) **Date of Patent:** **** Feb. 22, 2022**

(54) **SOFA**

FOREIGN PATENT DOCUMENTS

(71) Applicant: **Mulan Tian**, Shenzhen (CN)

EM 008320618-0002 * 12/2020
EM 008678338-0019 * 9/2021

(72) Inventor: **Mulan Tian**, Shenzhen (CN)

OTHER PUBLICATIONS

(**) Term: **15 Years**

(21) Appl. No.: **29/751,661**

(22) Filed: **Sep. 23, 2020**

(51) **LOC (13) Cl.** **06-01**

(52) **U.S. Cl.**
USPC **D6/335; D6/381**

(58) **Field of Classification Search**
USPC D6/334-337, 349, 369, 374, 375, 377,
D6/381

CPC .. A47C 7/24; A47C 7/54; A47C 7/541; A47C
7/546; A47C 17/00; A47C 17/02; A47C
17/04; A47C 17/045; A47C 17/12; A47C
17/13; A47C 17/132; A47C 17/134; A47C
17/136; A47C 17/16; A47C 17/162; A47C
17/17

See application file for complete search history.

MELLCOM Modular Sectional Sleeper Sofa [online], [site visited Nov. 3, 2021]. Available from internet, URL: <https://www.amazon.com/MELLCOM-Sectional-Upholstered-Pull-Out-Removable/dp/B09K47M27D?th=1> (Year: 2021).*

POVISON Reversible Sectional Sofa Sleeper [online], [site visited Nov. 3, 2021]. Available from internet, URL: <https://www.amazon.com/POVISON-Reversible-Sectional-Pull-Out-Upholstered/dp/B0975YKCY> (Year: 2021).*

* cited by examiner

Primary Examiner — Cynthia Ramirez
Assistant Examiner — Xavier Marti-Santos

(57) **CLAIM**

The ornamental design for a sofa, as shown and described.

DESCRIPTION

FIG. 1 is a perspective view of a sofa showing my new design;

FIG. 2 is another perspective view thereof;

FIG. 3 is a front elevational view thereof;

FIG. 4 is a rear elevational view thereof;

FIG. 5 is a left side elevational view thereof;

FIG. 6 is a right side elevational view thereof;

FIG. 7 is a top plan view thereof;

FIG. 8 is a bottom plan view thereof;

FIG. 9 is a perspective view of the sofa where the sofa is in a folded state; and,

FIG. 10 is an enlarged view of portion 10 shown in FIG. 2.

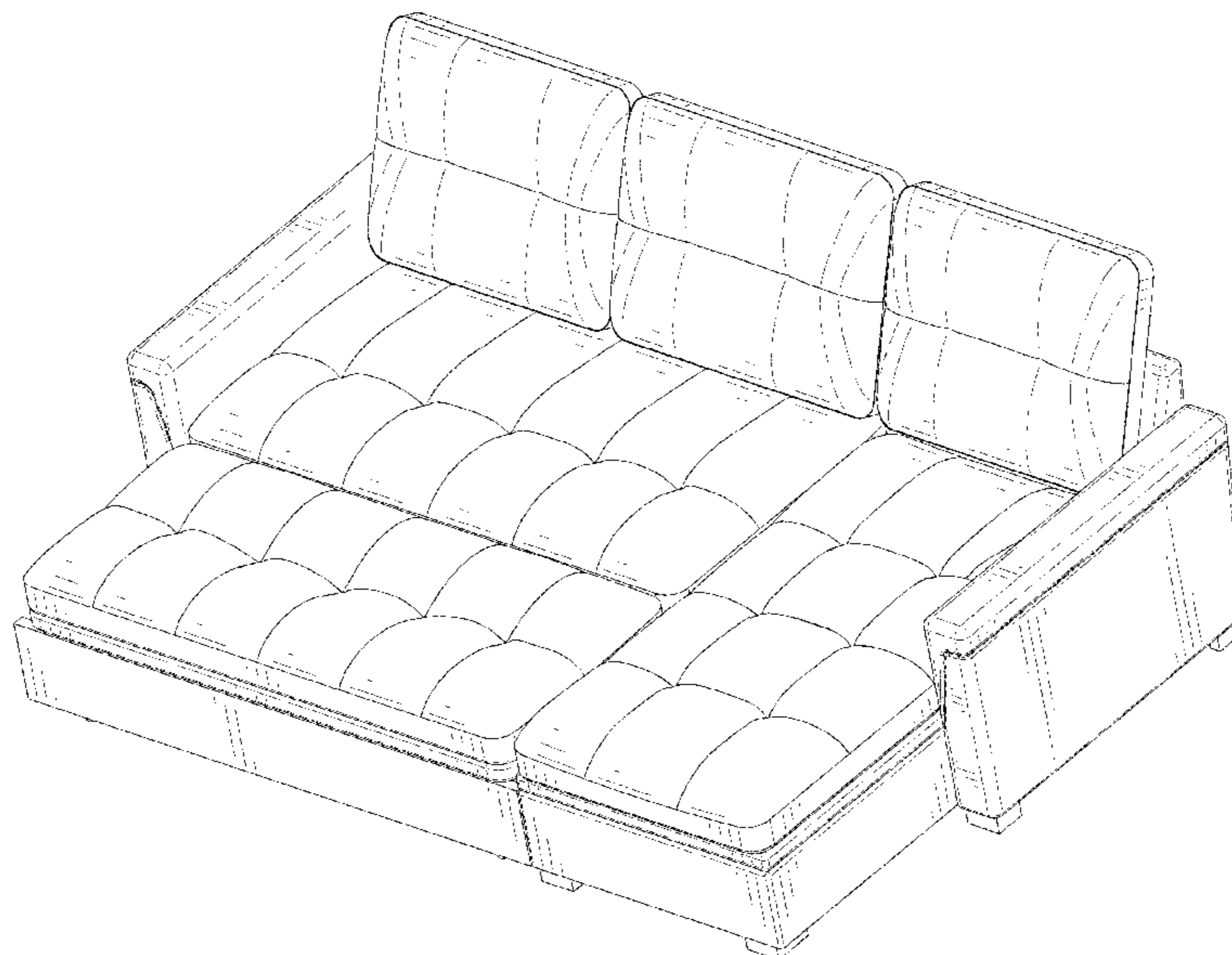
The broken lines in the drawings depict portions of the sofa that form no part of the claimed design. The dash-dot broken lines in the drawings are demarcating enlarged areas and form no part of the claimed design.

(56) **References Cited**

U.S. PATENT DOCUMENTS

D488,315 S * 4/2004 Natuzzi D6/377
D542,557 S * 5/2007 Lade D6/381
D640,480 S * 6/2011 Bush D6/381
D677,493 S * 3/2013 Masson D6/381
D719,757 S * 12/2014 Sonmez D6/381
D720,943 S * 1/2015 Pathiratne D6/381
D904,772 S * 12/2020 Kanthasamy D6/335
D930,381 S * 9/2021 Nie D6/381
D930,382 S * 9/2021 Tian D6/381
D930,383 S * 9/2021 Nie D6/381
D930,384 S * 9/2021 Nie D6/381
D933,378 S * 10/2021 Tian D6/335
D933,977 S * 10/2021 Kanthasamy D6/335

1 Claim, 10 Drawing Sheets



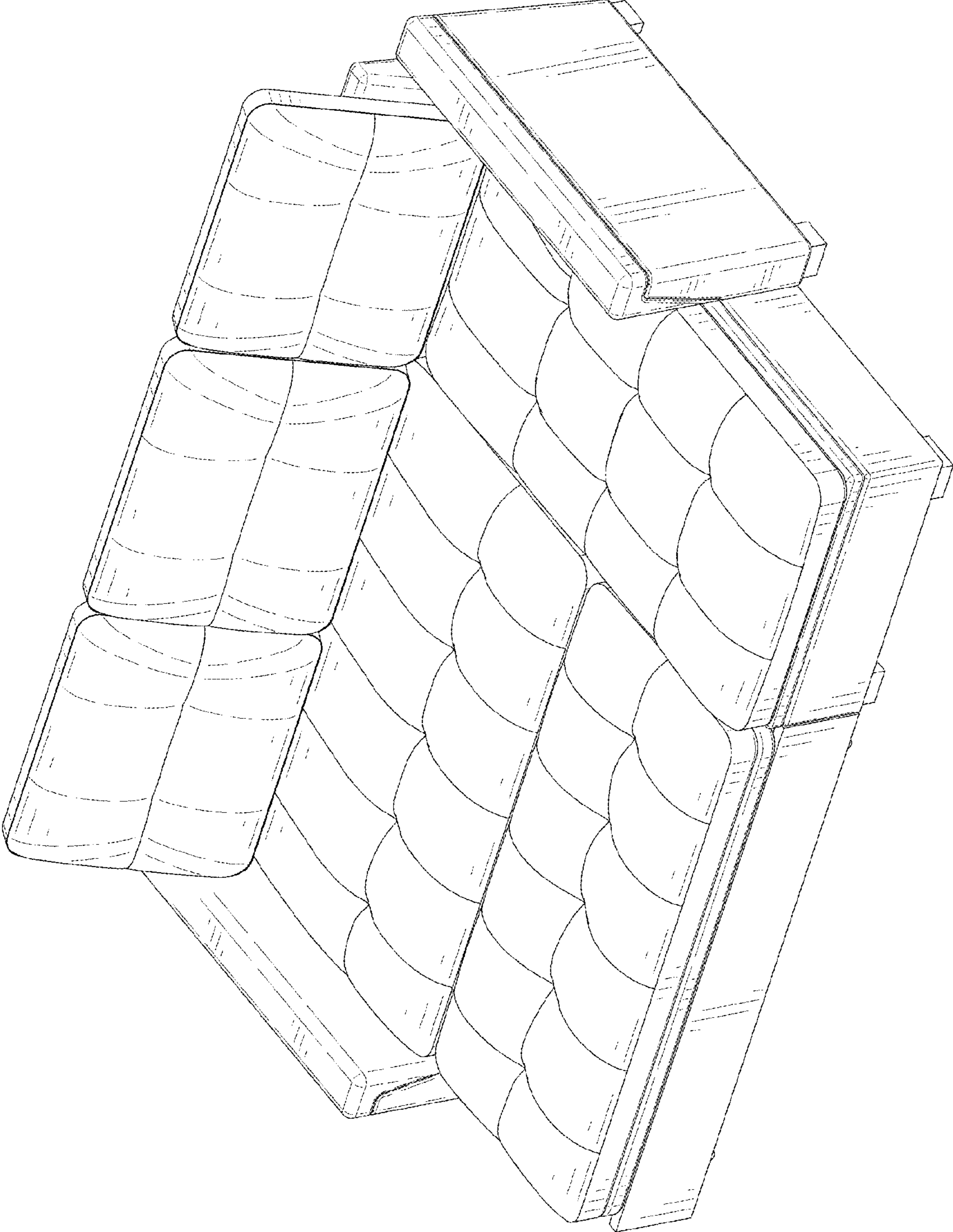


FIG. 1

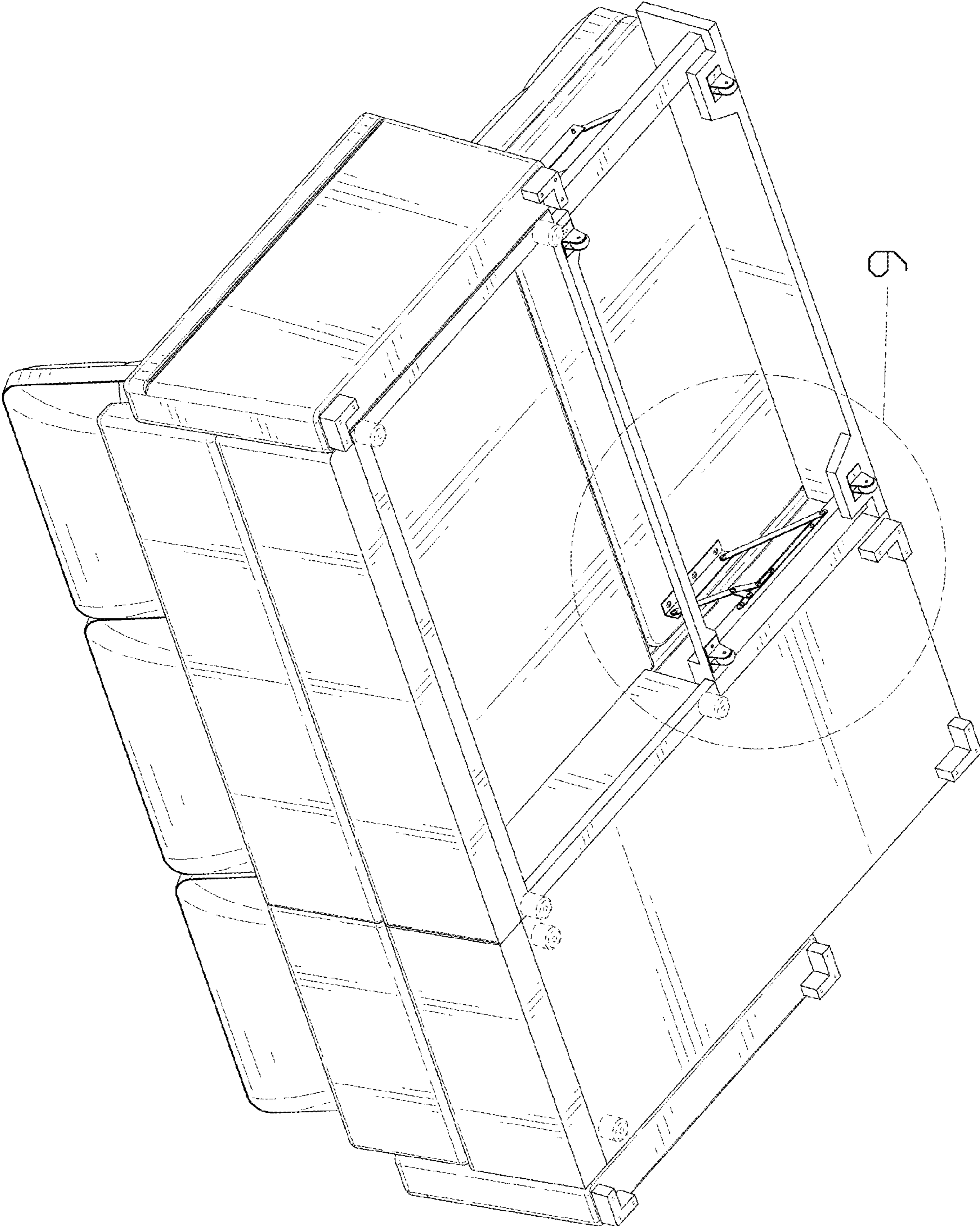


FIG. 2

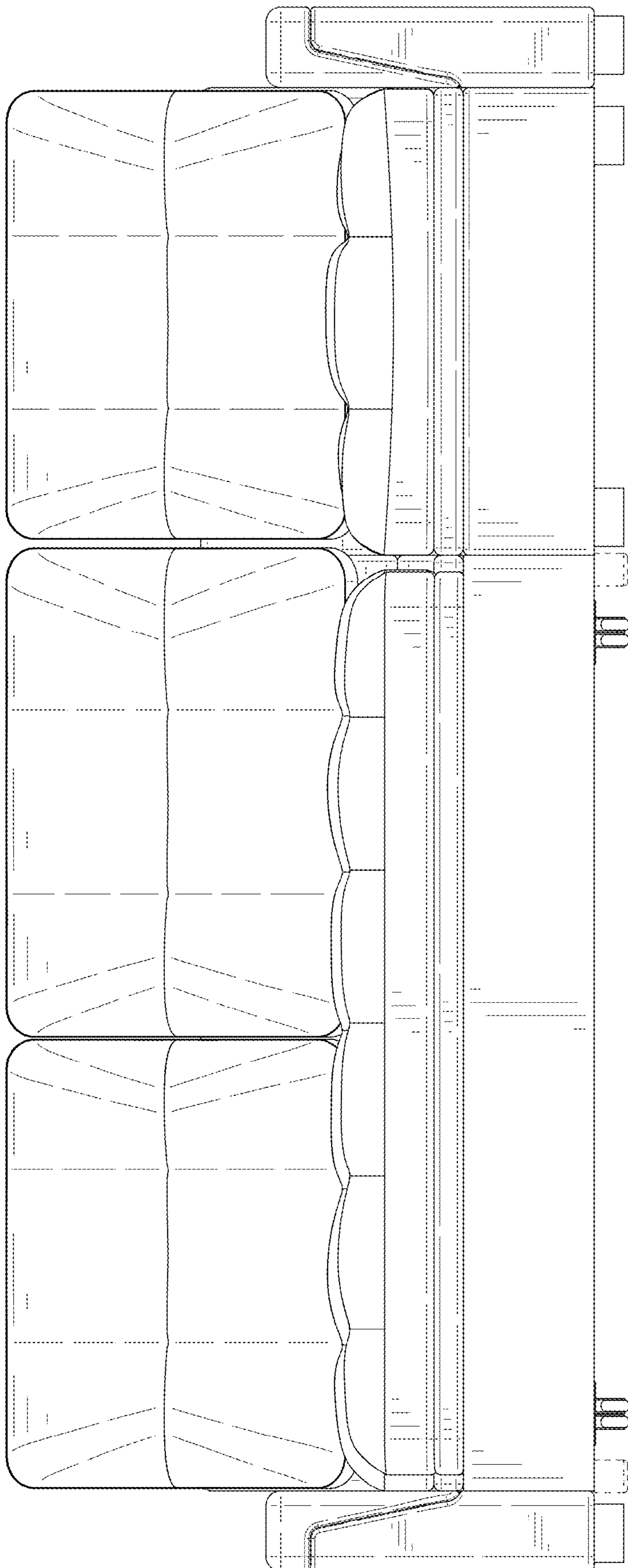


FIG. 3

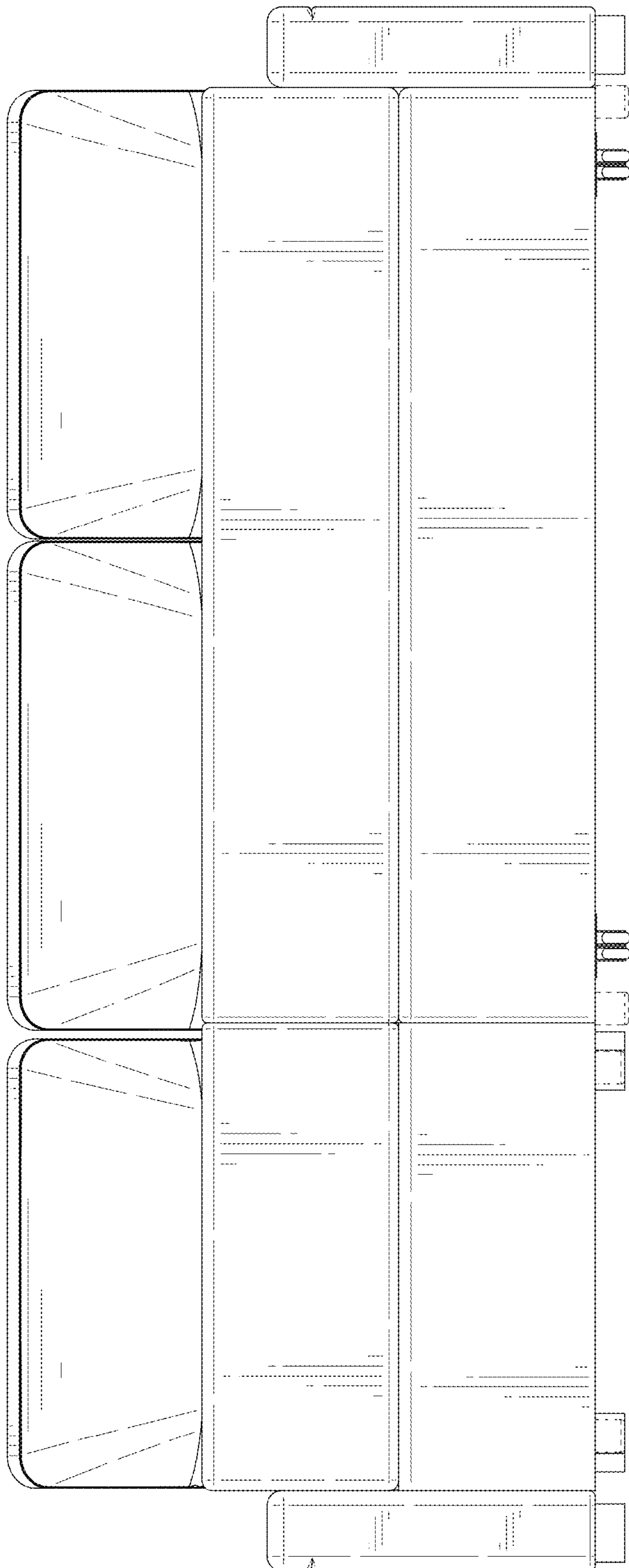


FIG. 4

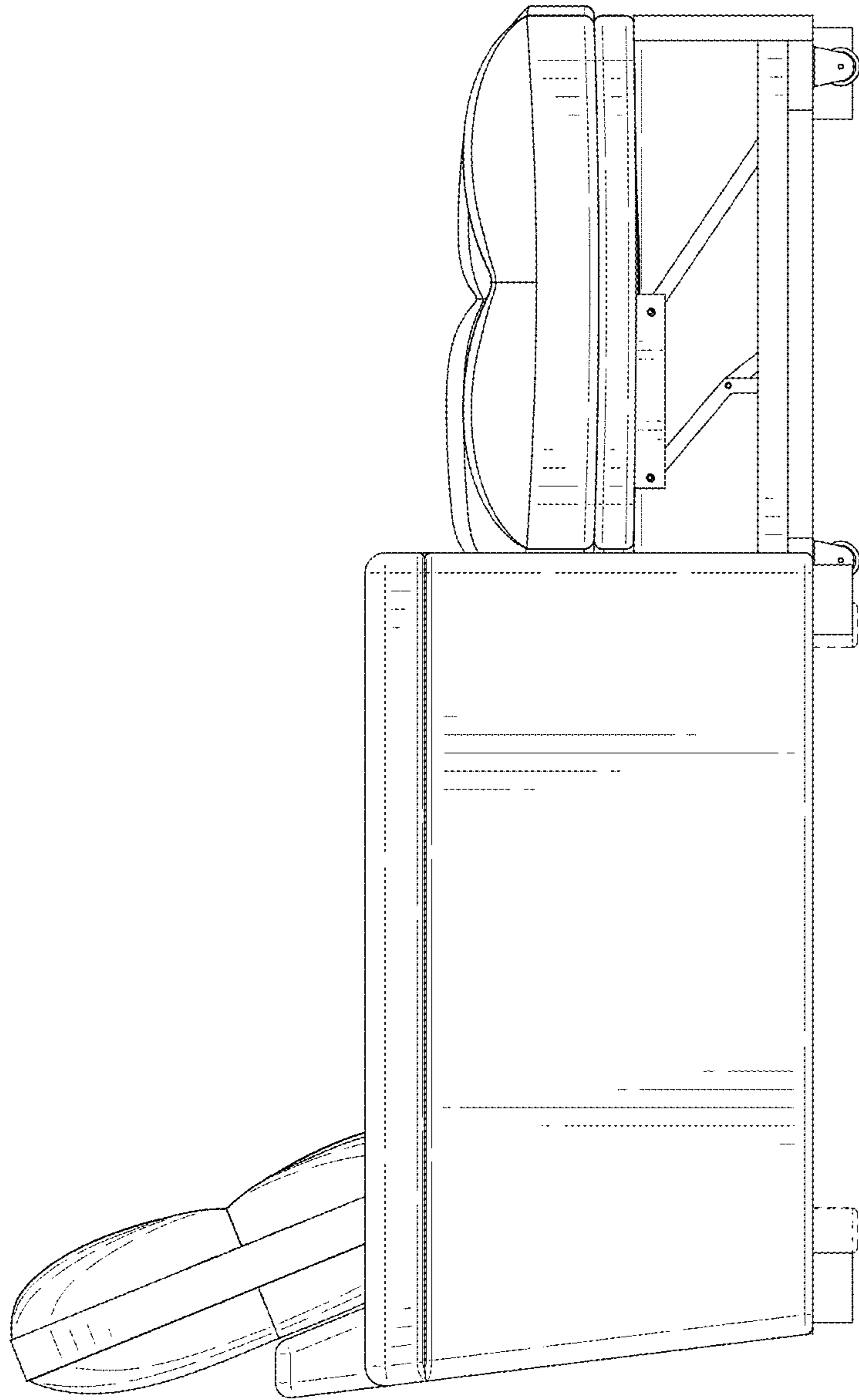


FIG. 5

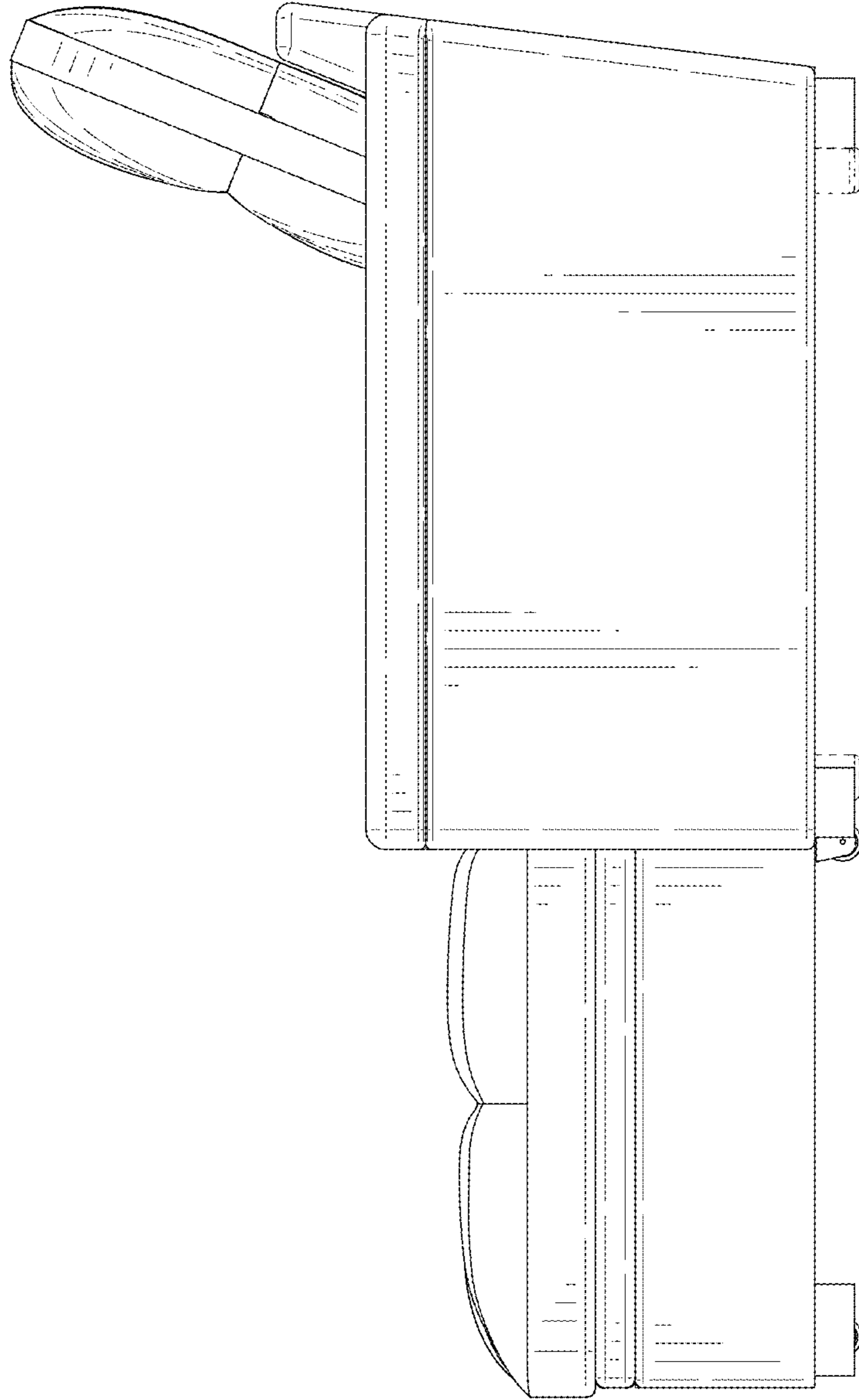


FIG. 6

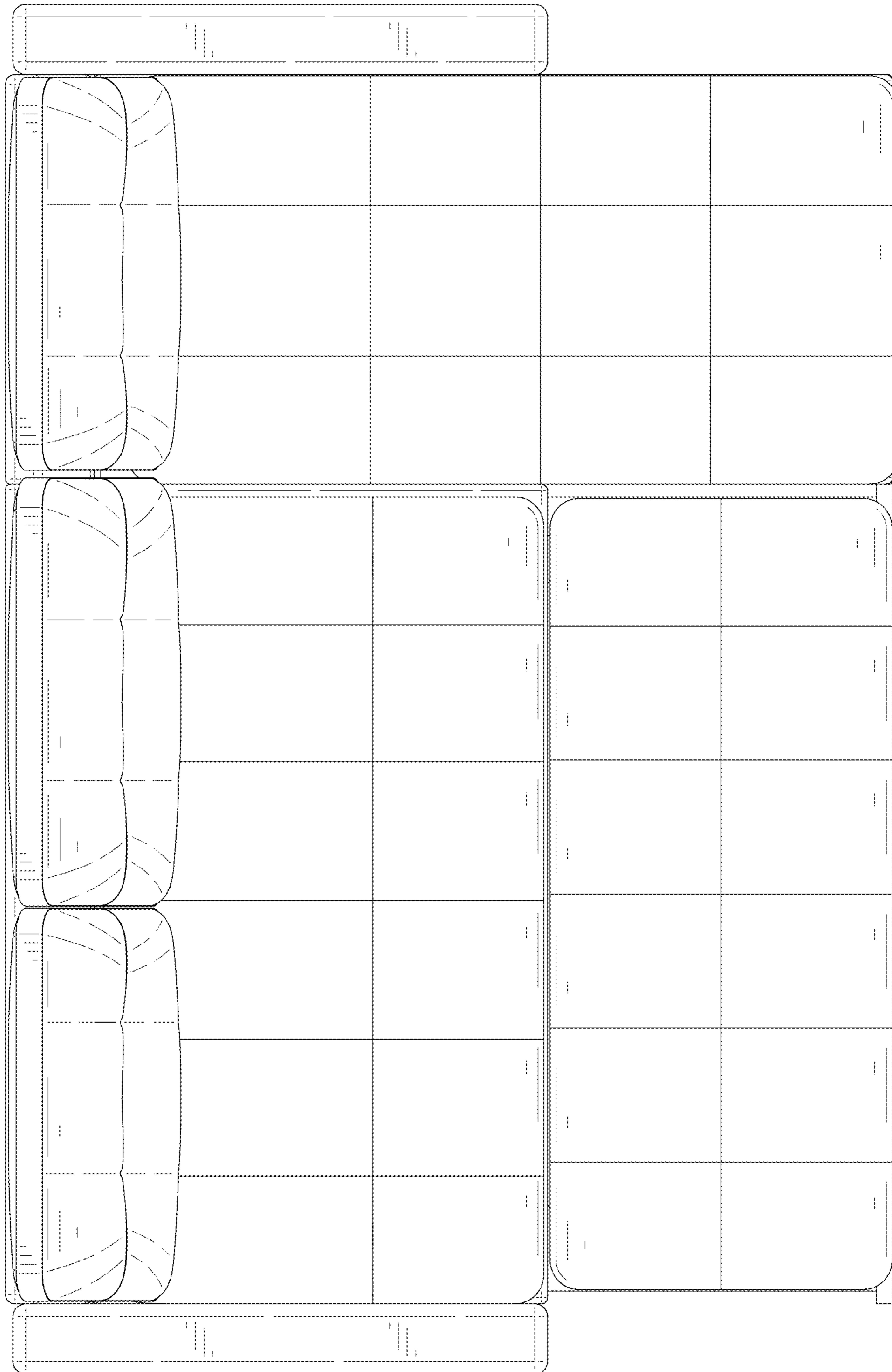


FIG. 7

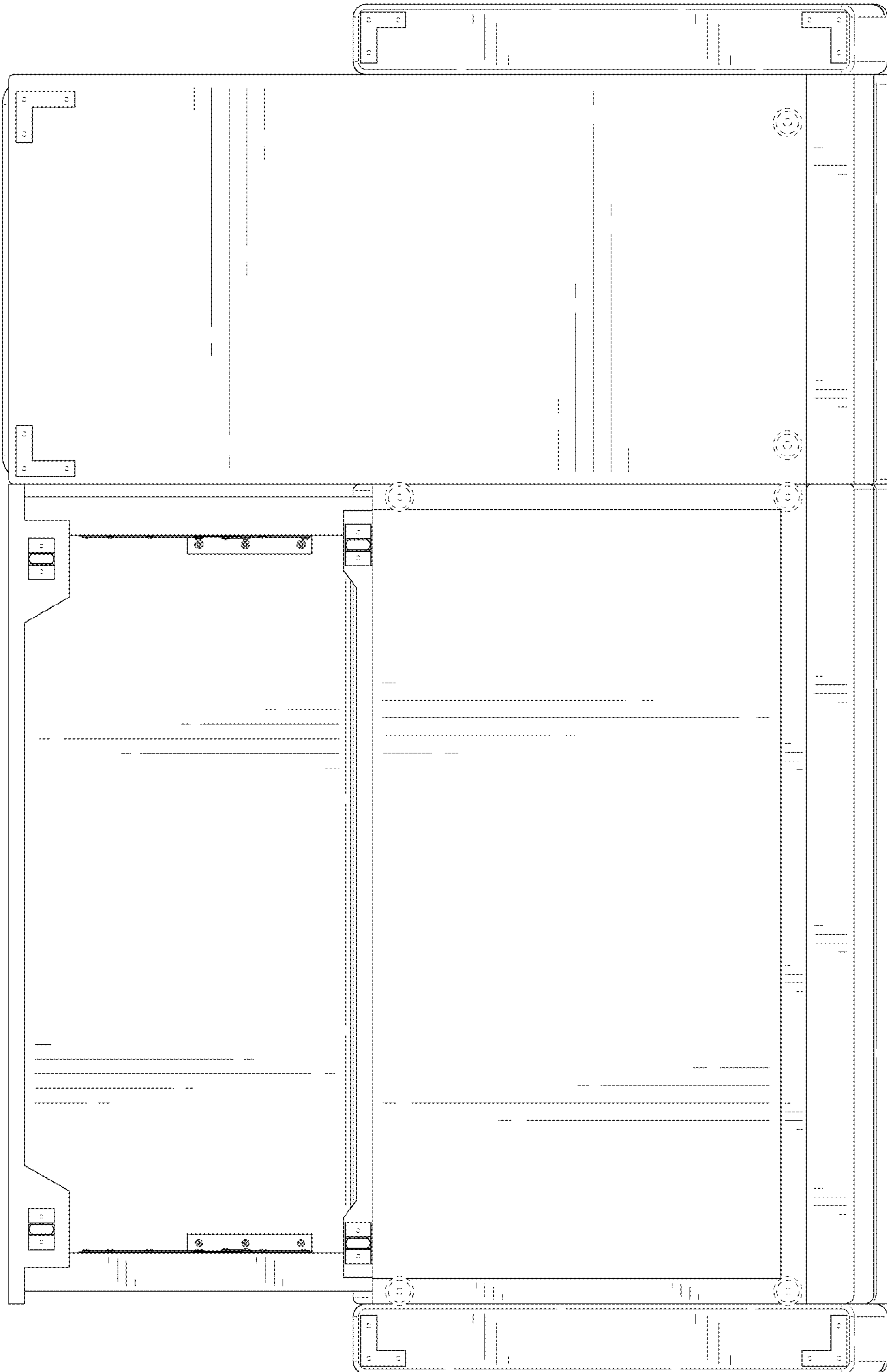


FIG. 8

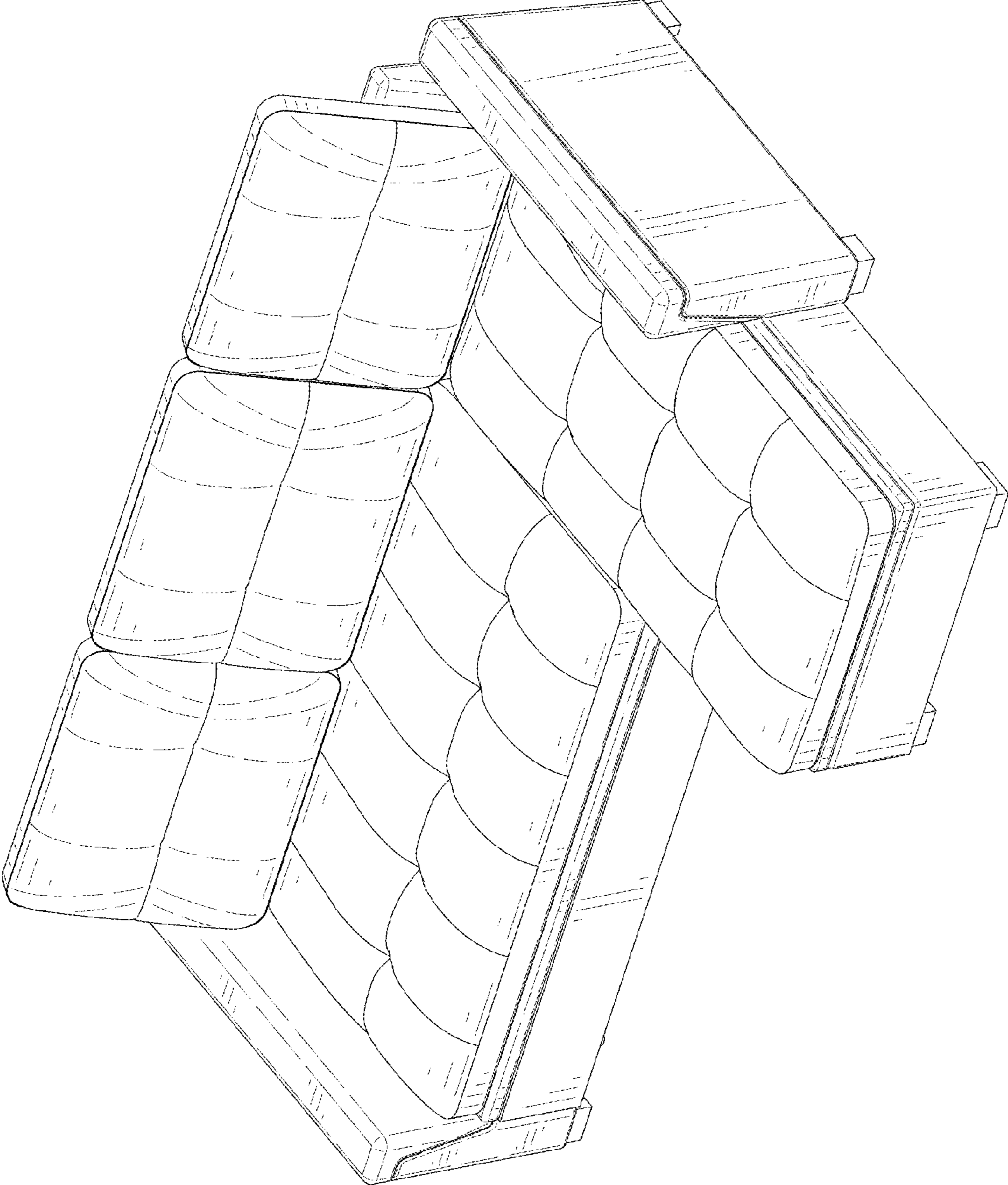


FIG. 9

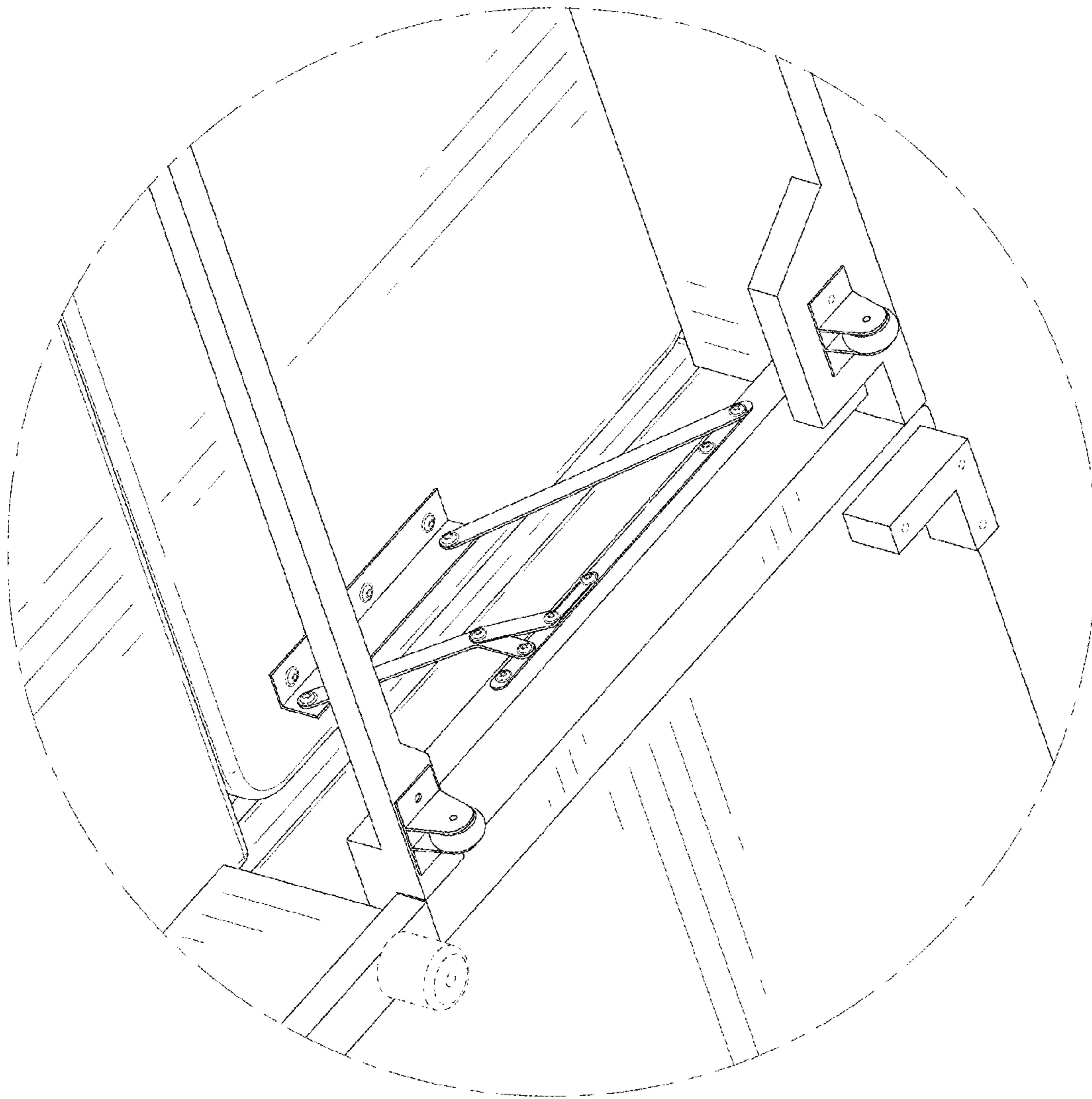


FIG. 10