



US00D944017S

(12) **United States Design Patent** (10) **Patent No.:** **US D944,017 S**
Pavilonis et al. (45) **Date of Patent:** **** Feb. 22, 2022**

(54) **HANDLE**

(56) **References Cited**

(71) Applicant: **SWIMC LLC**, Cleveland, OH (US)

U.S. PATENT DOCUMENTS

(72) Inventors: **William Pavilonis**, Cleveland, OH (US); **Marcelo Gabriel Orchon**, Cleveland, OH (US); **Mike Khabibulin**, Portland, OR (US); **Edward Ray Goodwin, Jr.**, Westlake, OH (US); **Michael C. Lambertson, Jr.**, Aurora, OH (US); **Sharon L. Vasher**, Columbus, OH (US); **Duong L. Ta**, Cleveland, OH (US); **Steve R. Sardiga**, Cleveland, OH (US)

D495,145	S	*	8/2004	Gladden	D4/138
D578,773	S	*	10/2008	Sherman	D4/135
D580,177	S	*	11/2008	Louis-Jeune	D4/121
D632,488	S	*	2/2011	Twigg	D4/138
D634,549	S	*	3/2011	Arvinte	D4/135
D710,115	S	*	8/2014	Dale	D4/135
D733,437	S	*	7/2015	Sherman	D4/135
D766,199	S	*	9/2016	Arvinte	D4/135
D877,709	S	*	3/2020	Winter	D14/135
D889,135	S	*	7/2020	Pavilonis	D4/135
D909,761	S	*	2/2021	Hoerauf	D4/116
2002/0148058	A1	*	10/2002	Greenwood	A46B 7/04 15/168
2005/0198759	A1	*	9/2005	Segrea	A46B 5/0095 15/176.1

(73) Assignee: **SWIMC, LLC**, Cleveland, OH (US)

(**) Term: **15 Years**

* cited by examiner

(21) Appl. No.: **29/737,131**

Primary Examiner — Austin Murphy

(22) Filed: **Jun. 5, 2020**

(74) *Attorney, Agent, or Firm* — Tucker Ellis LLP

Related U.S. Application Data

(63) Continuation of application No. 29/684,003, filed on Mar. 18, 2019, now Pat. No. Des. 889,135.

(51) **LOC (13) Cl.** **04-02**

(52) **U.S. Cl.**
USPC **D4/135**

(58) **Field of Classification Search**
USPC D4/100, 102, 114, 135, 116, 121, 127;
15/21.1, 22.1, 23, 24, 28, 29, 191.1, 192,
15/193, 194, 166, 168, 171, 175, 176.1;
132/218, 217; D28/7, 57
CPC B05C 1/00; B05C 1/02; B05C 17/0205;
B44D 2/00

See application file for complete search history.

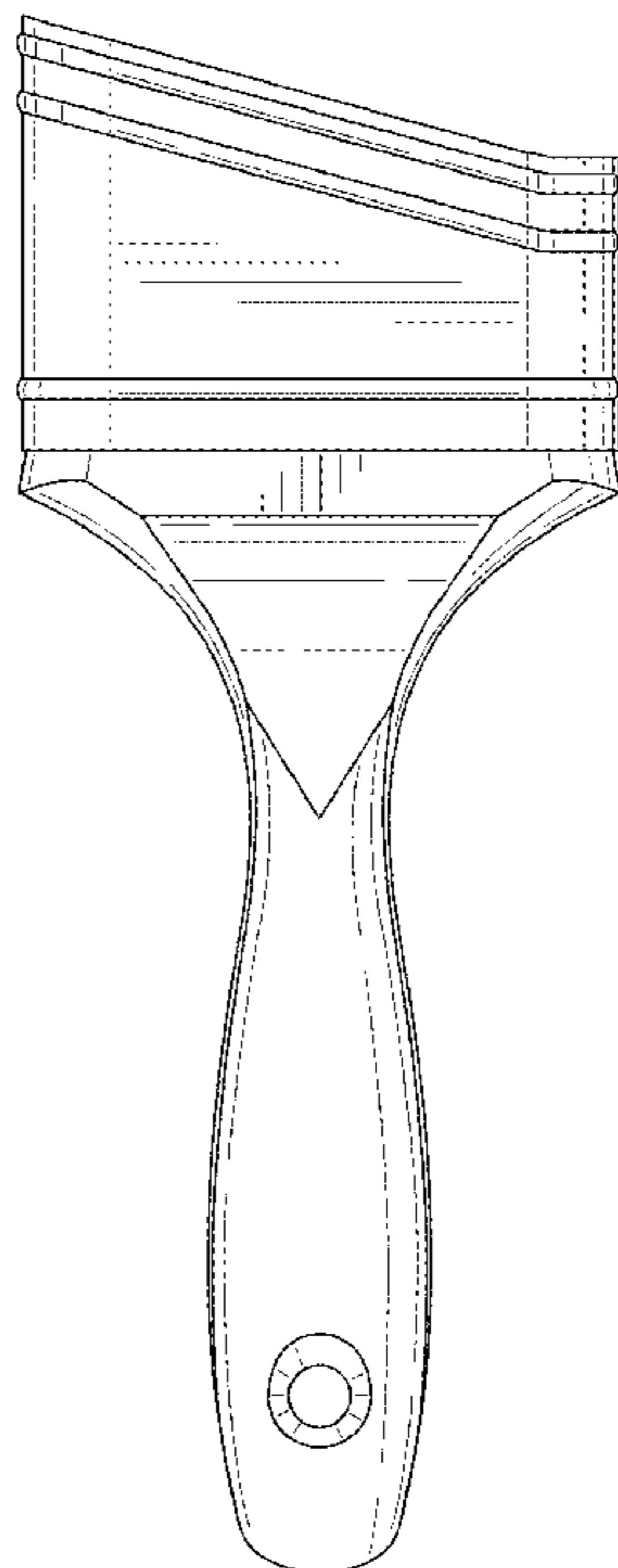
(57) **CLAIM**

The ornamental design for a handle, as shown and described.

DESCRIPTION

FIG. 1 is a front perspective view of a handle showing our new design;
FIG. 2 is a rear perspective view thereof;
FIG. 3 is a front view thereof;
FIG. 4 is a rear view thereof;
FIG. 5 is a left side view thereof;
FIG. 6 is a right side view thereof;
FIG. 7 is a top view thereof; and,
FIG. 8 is a bottom view thereof.

1 Claim, 5 Drawing Sheets



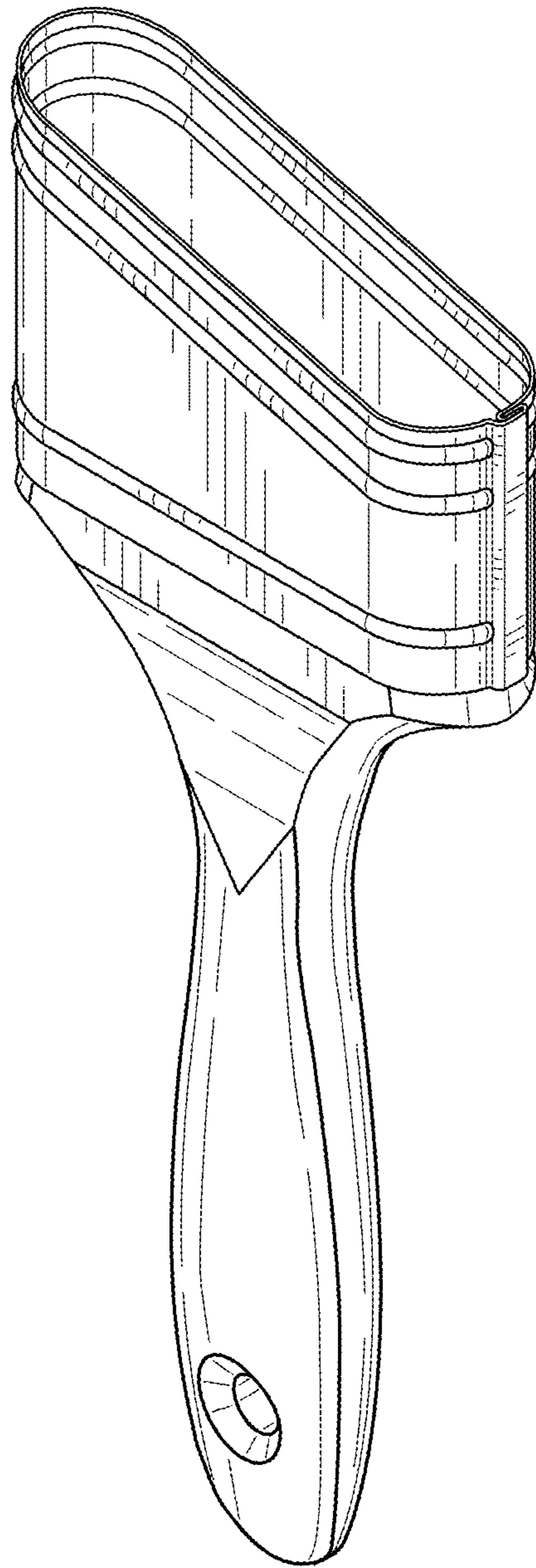


FIG. 1

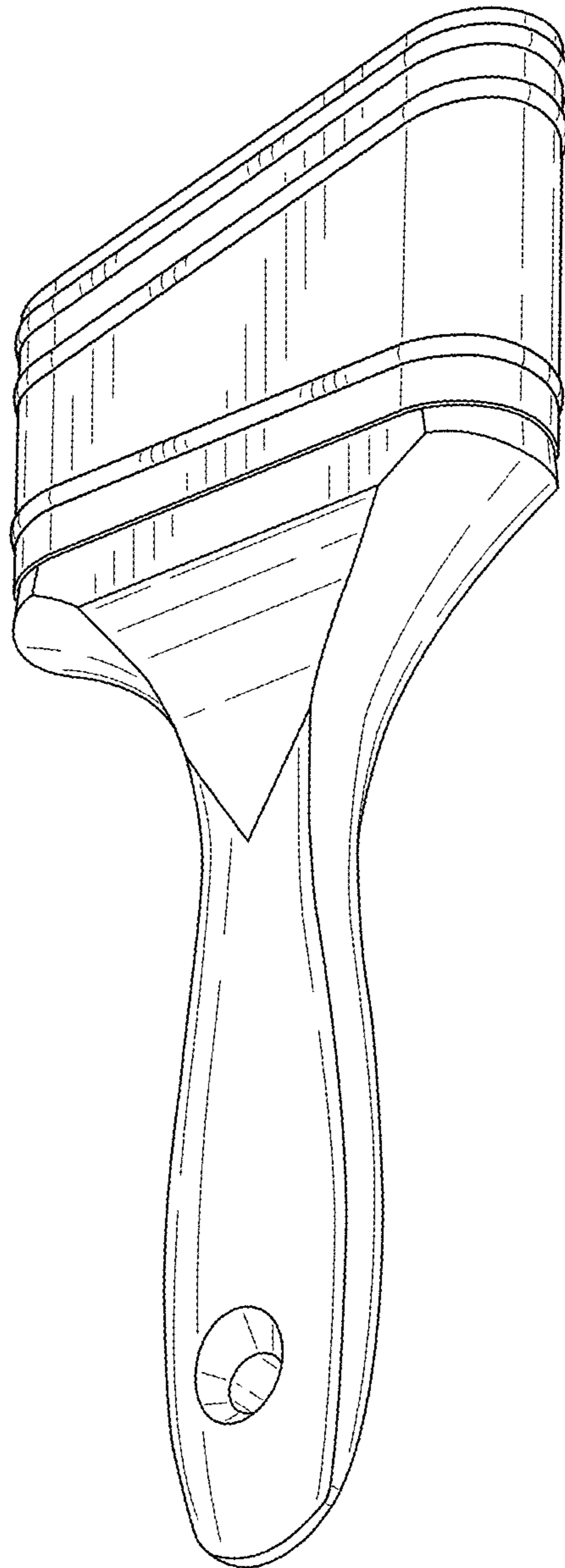


FIG. 2

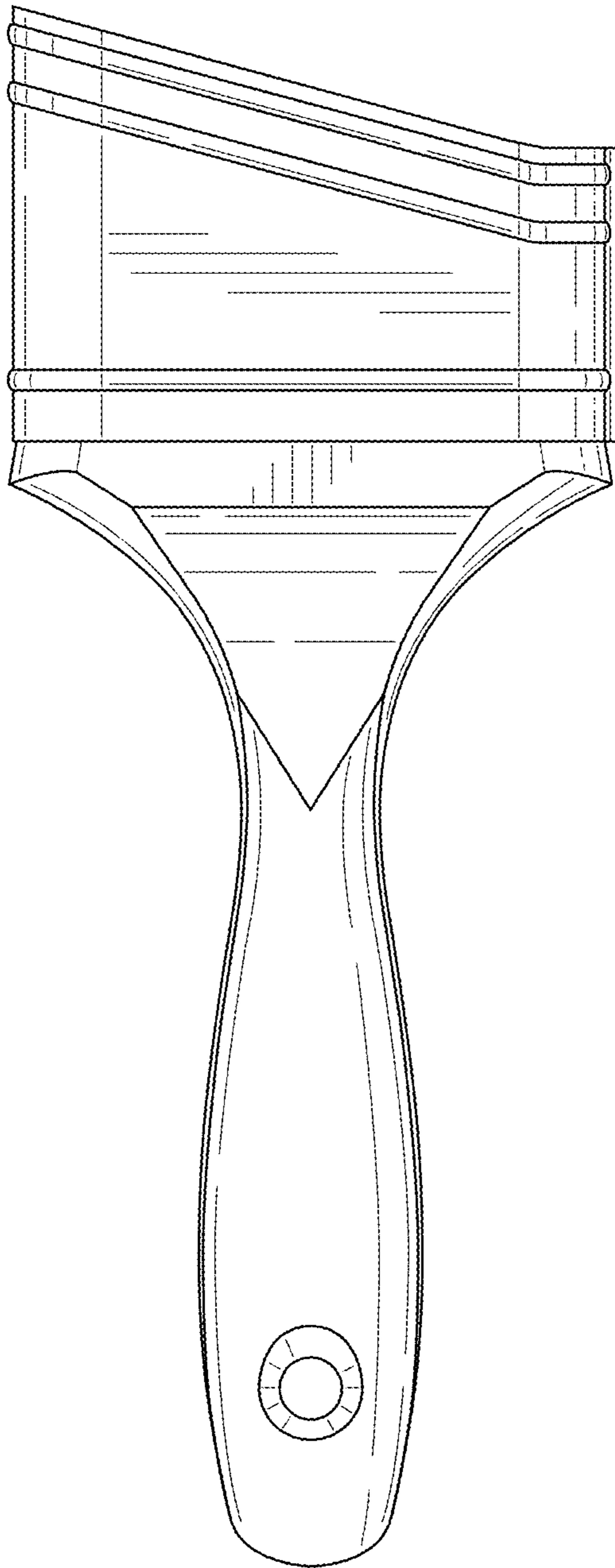


FIG. 3

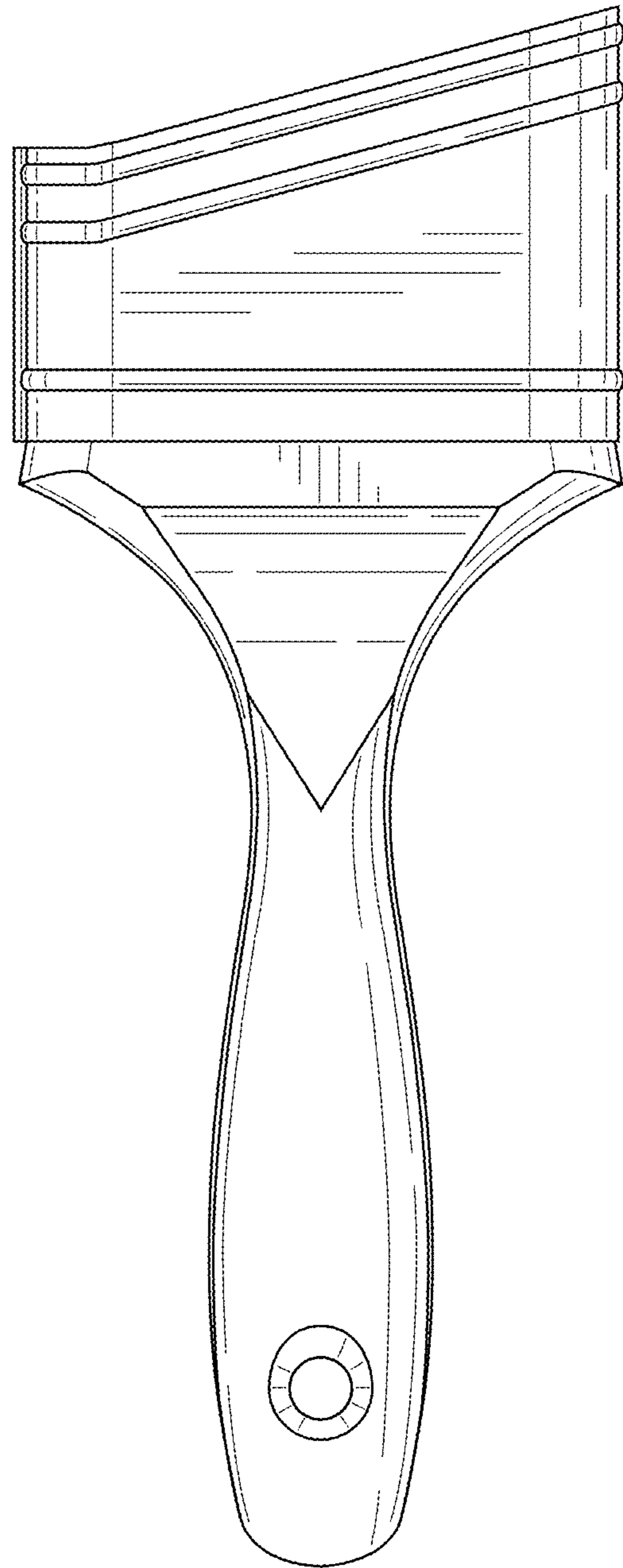


FIG. 4

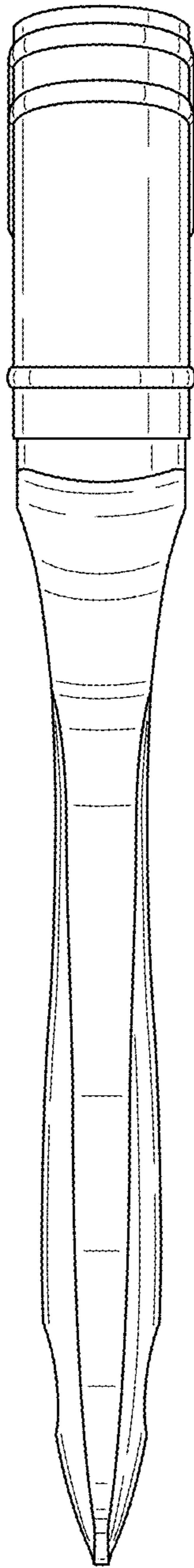


FIG. 5

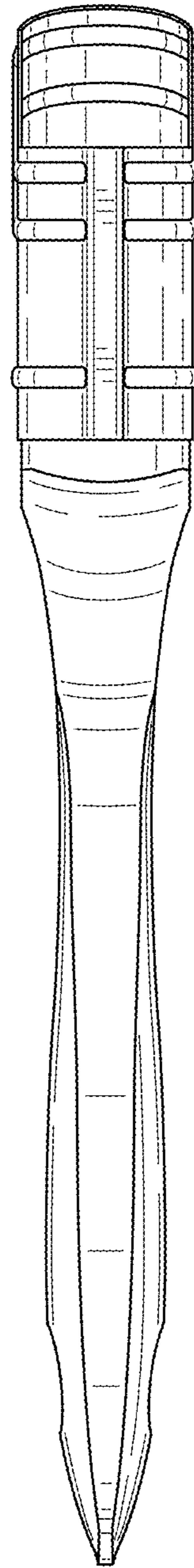


FIG. 6

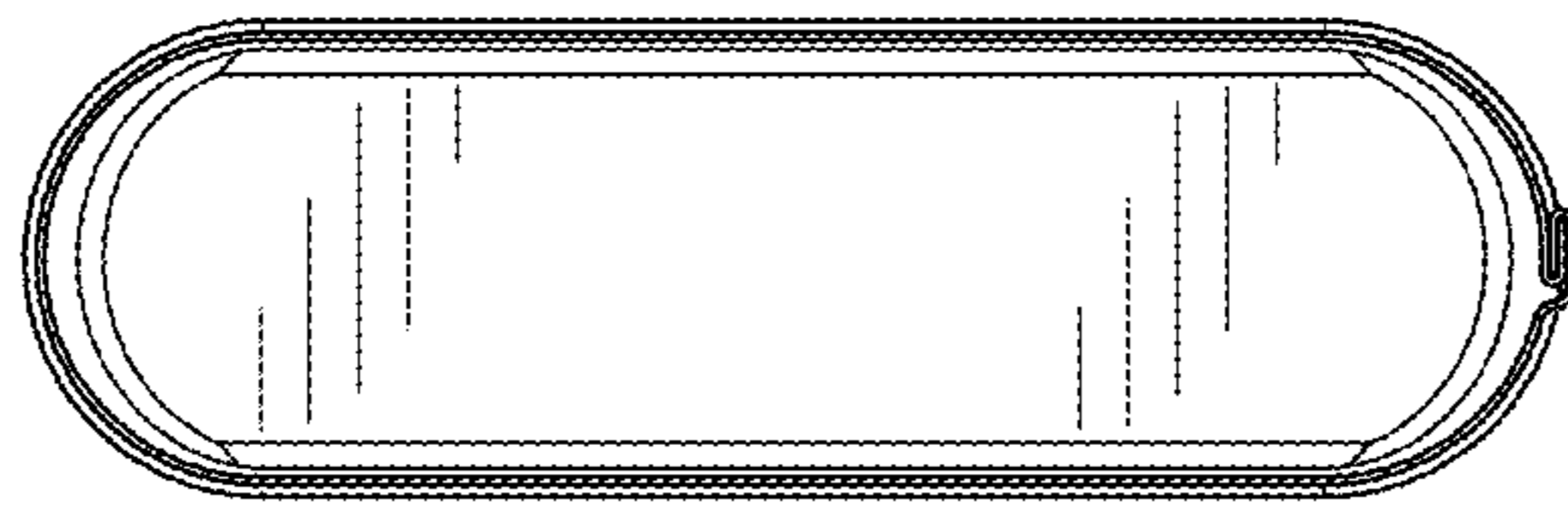


FIG. 7

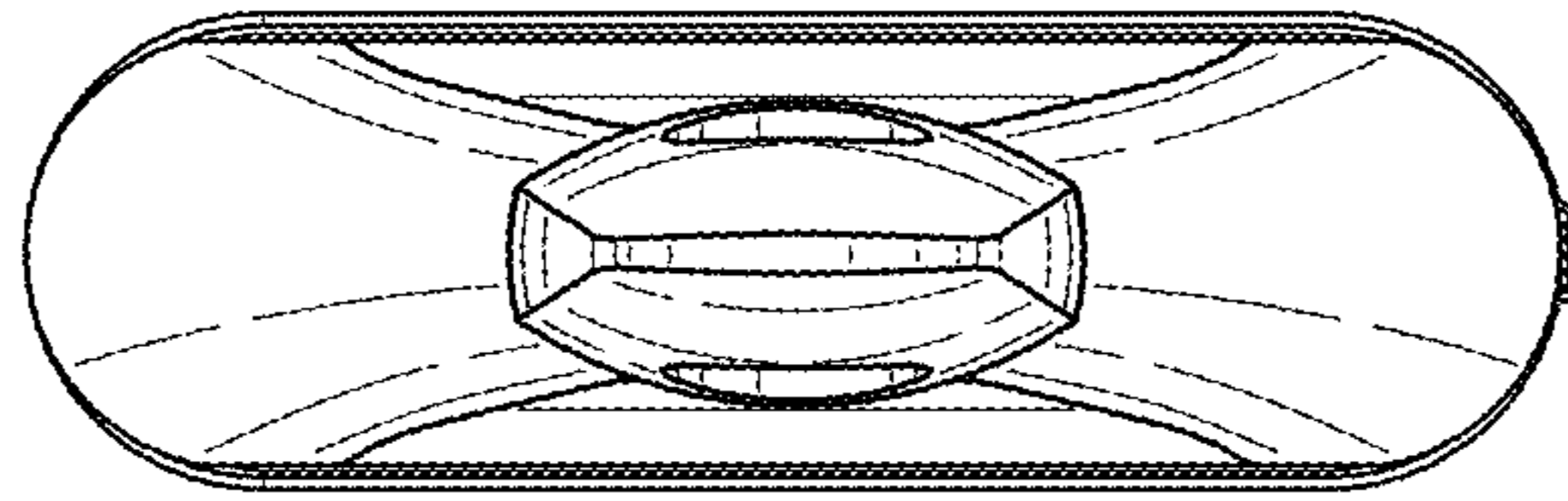


FIG. 8