

US00D944016S

(12) **United States Design Patent**  
**Fowler et al.**

(10) **Patent No.:** **US D944,016 S**  
(45) **Date of Patent:** **\*\* Feb. 22, 2022**

(54) **ORAL CARE DEVICE WITH BASE**

FOREIGN PATENT DOCUMENTS

(71) Applicant: **Sage Products, LLC**, Cary, IL (US)

CN 203493048 U 3/2014  
FR 2606615 A 5/1988

(72) Inventors: **Paul Michael Fowler**, Rockford, IL (US); **Ronald C. Cagle**, Crystal Lake, IL (US); **Theresa L. Sebastian**, Cary, IL (US); **Timothy J. Rapinchuk**, Cary, IL (US)

(Continued)

(73) Assignee: **Sage Products, LLC**, Cary, IL (US)

(\*\*) Term: **15 Years**

(21) Appl. No.: **29/759,473**

(22) Filed: **Nov. 23, 2020**

OTHER PUBLICATIONS

Stryker Sage Self Oral Care. Toothbrush with Corinz Antiseptic Cleansing and Moisturizing Oral Rinse [on-line]. [Published Dec. 13, 2019.]. [Retrieved from the Internet Jun. 10, 2021.] URL: ><https://web.archive.org/web/20191213200952/https://www.stryker.com/us/en/sage/products/sage-self-oral-care.html>< (Year: 2019).\*

(Continued)

*Primary Examiner* — Karen E Eldridge Powers

(74) *Attorney, Agent, or Firm* — Foley & Lardner LLP

**Related U.S. Application Data**

(60) Continuation of application No. 29/722,558, filed on Jan. 30, 2020, now Pat. No. Des. 902,602, which is a  
(Continued)

(51) **LOC (13) Cl.** ..... **28-03**

(52) **U.S. Cl.**  
USPC ..... **D4/101; D4/113**

(58) **Field of Classification Search**  
USPC ..... D4/100, 101, 102, 104, 105, 106, 107, D4/108, 109, 110, 111, 112, 113, 114, D4/115, 116, 119, 120, 121, 124, 125, D4/130, 132, 134, 138, 199; D24/111, D24/152, 176; D7/300.2  
(Continued)

(57) **CLAIM**

We claim the ornamental design for an oral care device and base, as shown and described.

**DESCRIPTION**

FIG. 1 is a rear, right, perspective view of the claimed design of an oral care device, according to an embodiment;  
FIG. 2 is a bottom, front, perspective view of the claimed design of FIG. 1.  
FIG. 3 is a bottom view of the claimed design of FIG. 1;  
FIG. 4 is a top view of the claimed design of FIG. 1;  
FIG. 5 is a left side view of the claimed design of FIG. 1;  
FIG. 6 is a right side view of the claimed design of FIG. 1;  
FIG. 7 is a front side view of the claimed design of FIG. 1; and,  
FIG. 8 is a rear side view of the claimed design of FIG. 1.  
The broken lines in the drawings illustrate environmental structure and form no part of the claimed design.

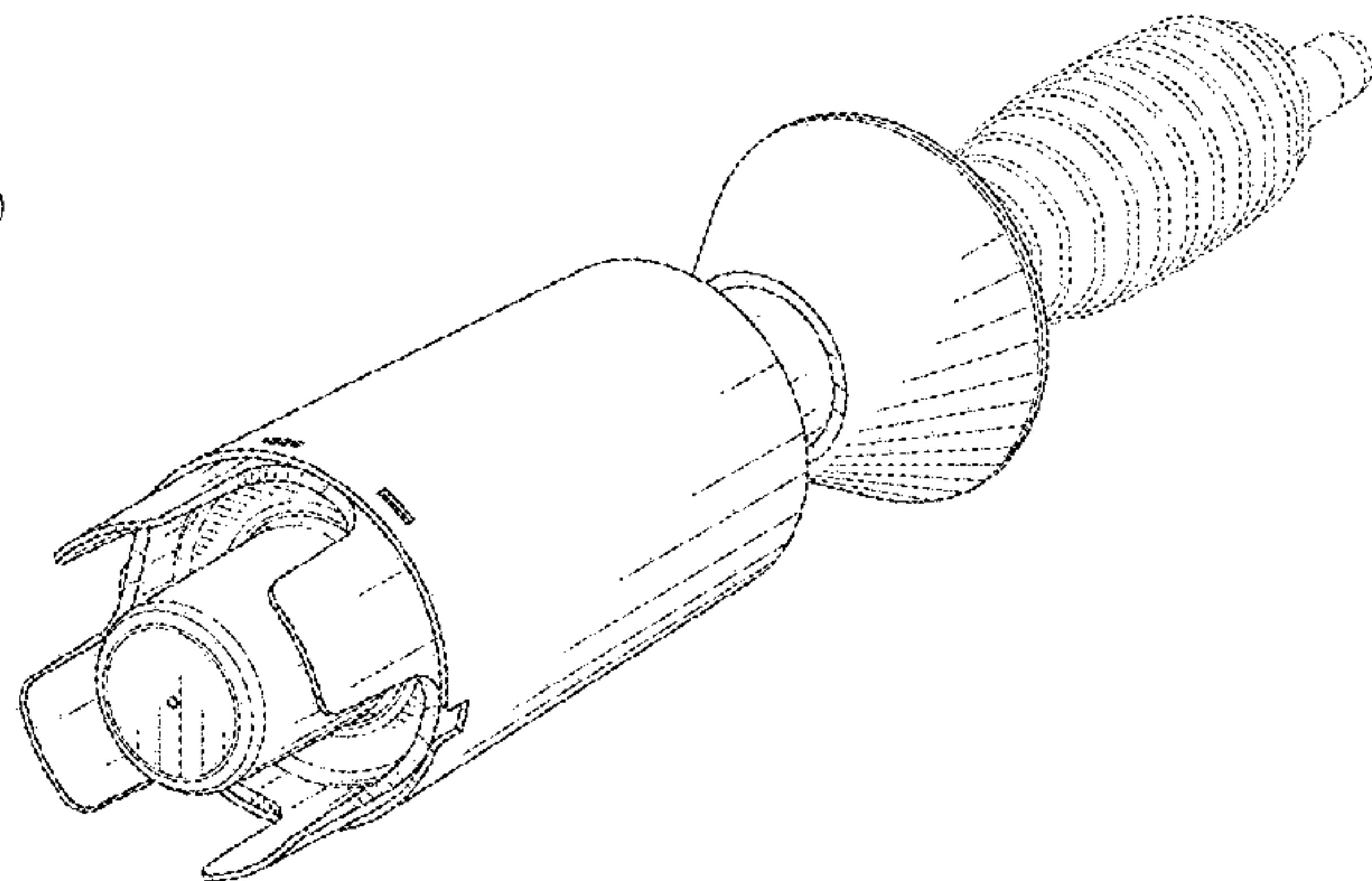
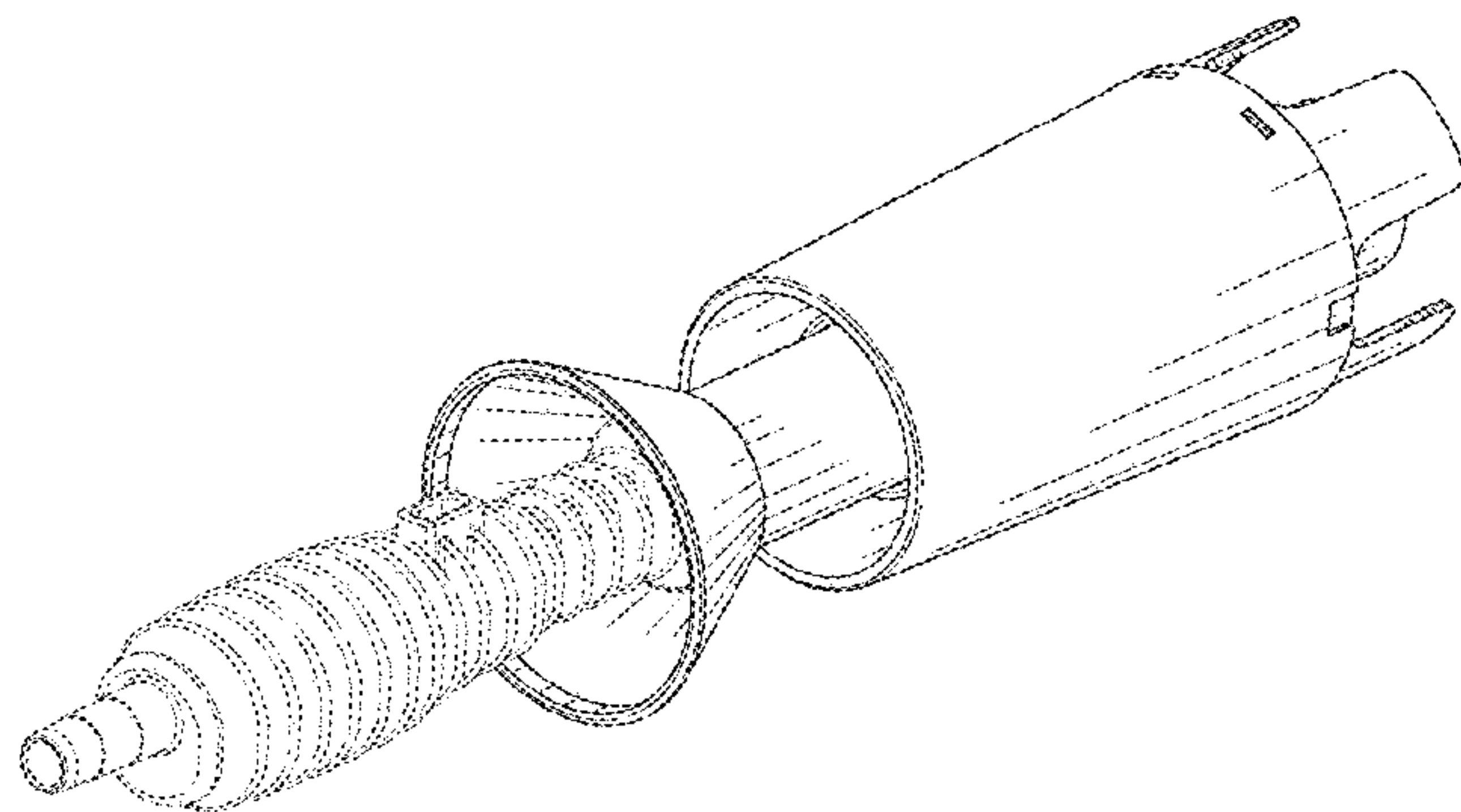
(56) **References Cited**

U.S. PATENT DOCUMENTS

1,128,045 A 2/1915 Reenstierna  
1,254,714 A 1/1918 McCombs

(Continued)

**1 Claim, 5 Drawing Sheets**



**Related U.S. Application Data**

division of application No. 29/626,072, filed on Nov. 14, 2017, now Pat. No. Des. 874,153.

(58) **Field of Classification Search**

CPC .... A46B 2200/1066; A46B 2200/1073; A46B 2200/1086; A46B 5/02; A46B 5/0095; A46B 9/04; A46B 11/00; A46B 11/0003; A61C 17/16; A61C 17/22; A61C 17/225; A61C 17/32; A61C 17/34; A61C 17/3445; A61C 17/3454; A61C 17/3481; A61C 17/228; A61C 17/00; A61C 17/36

See application file for complete search history.

(56) **References Cited**

U.S. PATENT DOCUMENTS

1,283,403	A	10/1918	Eustis	
1,419,593	A	6/1922	Thompson	
D149,620	S	5/1948	Darr	
D162,881	S	4/1951	Richardson	
D172,862	S	8/1954	Brennan	
D174,292	S	3/1955	Perez	
D186,902	S	12/1959	Fried	
3,411,723	A	11/1968	Kohn	
3,488,788	A	1/1970	Robinson	
3,840,932	A	10/1974	Balamuth et al.	
4,149,815	A	4/1979	Kawam	
4,174,035	A	11/1979	Wiegner	
4,192,035	A	3/1980	Kuris	
D282,317	S	1/1986	Herzfeld	
D282,319	S	1/1986	Herzfeld	
D282,698	S	2/1986	Newton, Jr.	
4,854,760	A	8/1989	Unidec	
4,915,219	A	4/1990	Ottimo	
4,976,379	A	12/1990	Sloan	
4,995,509	A	2/1991	Kornfeind	
5,022,559	A	6/1991	Condon	
5,246,046	A	9/1993	Schramm	
5,311,632	A	5/1994	Center	
5,495,876	A	3/1996	Schramm	
5,501,340	A	3/1996	Stafford	
D377,867	S	2/1997	Berghash et al.	
RE36,131	E	3/1999	Schramm	
5,908,057	A	6/1999	Schramm	
6,082,999	A	7/2000	Tcherny et al.	
6,243,906	B1	6/2001	Holliday et al.	
6,280,112	B1	8/2001	Vieu	
D453,888	S	2/2002	Gottwald	
6,397,859	B1	6/2002	Byrd	
6,418,940	B1	7/2002	Tcherny et al.	
D470,661	S	2/2003	Zetsche	
6,530,707	B1	3/2003	Byrne et al.	
6,595,822	B1	7/2003	Thai	
6,638,131	B1	10/2003	Thai	
6,669,475	B2 *	12/2003	Kandelman ..... A46B 7/04 132/322	
6,702,113	B2	3/2004	Marino	
6,704,965	B2	3/2004	Ale et al.	
D499,811	S	12/2004	Nan	
6,857,928	B2	2/2005	Thai	
RE39,443	E	12/2006	Schramm	
7,244,161	B2	7/2007	Thai	
D563,069	S	2/2008	Yovanovich	
7,399,133	B1	7/2008	Eversole	
D576,799	S	9/2008	Veizin et al.	
D576,801	S	9/2008	Dretzka	
7,524,230	B2	4/2009	Thai	
D592,404	S	5/2009	Toeffler et al.	

7,967,519	B2	6/2011	Gueret	
RE42,610	E	8/2011	Schramm	
D669,981	S	10/2012	Ruiz et al.	
8,506,192	B2	8/2013	Allbritton	
8,632,268	B2	1/2014	Kemp	
D709,713	S	7/2014	Yang et al.	
D720,137	S	12/2014	Schuler	
8,932,522	B2	1/2015	Duncan	
D736,907	S	8/2015	Mccracken et al.	
D741,068	S	10/2015	Frazier	
D749,919	S	2/2016	Cianciolo	
D751,688	S	3/2016	Daly	
D752,882	S	4/2016	Chang	
D774,775	S	12/2016	Buchholz	
D776,534	S	1/2017	Stratton	
D784,024	S	4/2017	Jun	
D792,214	S	7/2017	Kerill et al.	
9,810,575	B2	11/2017	Lance	
D804,770	S	12/2017	Zoubovsky	
D808,431	S	1/2018	Tseng	
D808,660	S	1/2018	Kresge	
D812,913	S	3/2018	Way	
D825,885	S	8/2018	Falcone	
D825,932	S	8/2018	Jun	
D828,082	S	9/2018	Ramos	
D835,383	S	12/2018	Petersen	
D860,654	S	9/2019	Bram et al.	
D862,087	S	10/2019	Ma	
D864,576	S	10/2019	Cagle et al.	
D874,153	S	2/2020	Fowler et al.	
D912,990	S *	3/2021	Cagle ..... D4/101	
D918,591	S *	5/2021	Serval ..... D4/104	
2001/0035413	A1	11/2001	Thai	
2002/0138931	A1	10/2002	Davies	
2004/0129580	A1	7/2004	Cochran et al.	
2004/0211683	A1	10/2004	Barham et al.	
2007/0277339	A1	12/2007	Barsheshet	
2008/0245681	A1	10/2008	Healis	
2013/0074867	A1	3/2013	Leung	
2014/0137352	A1	5/2014	Golla et al.	
2017/0311707	A1	11/2017	Beck et al.	
2018/0055184	A1	3/2018	Meveigh et al.	
2018/0055187	A1	3/2018	Galligan	
2018/0132605	A1	5/2018	Fowler et al.	
2018/0289145	A1	10/2018	Cagle et al.	
2020/0390230	A1 *	12/2020	Fowler ..... A46B 15/0053	

FOREIGN PATENT DOCUMENTS

JP	2013-516207	5/2013
WO	WO-2009/138723	11/2009

OTHER PUBLICATIONS

International Search Report and Written Opinion for International Application No. PCT/US2017/061633, dated Apr. 6, 2018, 17 pages.  
 Partial International Search Report for International Application No. PCT/US2017/061633, dated Feb. 12, 2018, 12 pages.  
 Sage Products | Oral Hygiene Systems for Non-Ventilated Patients, posted on Jan. 31, 2009, (C) Sage Products LLC 2020 [online], [site visited Aug. 31, 2020]. Available from Internet, <URL: https://sageproducts.com/oral-hygiene-for-non-ventilated-patients/>.  
 YouTube | Sage Self Oral Care Training, published on Oct. 23, 2019 by Stryker Sage, (c) 2020 YouTube, LLC, [online], [site visited Aug. 31, 2020]. Available from Internet, [frames 0:19-0:22] <URL: https://www.youtube.com/watch?v=SDpc3lqxpOc&feature=youtu.be/>.

\* cited by examiner



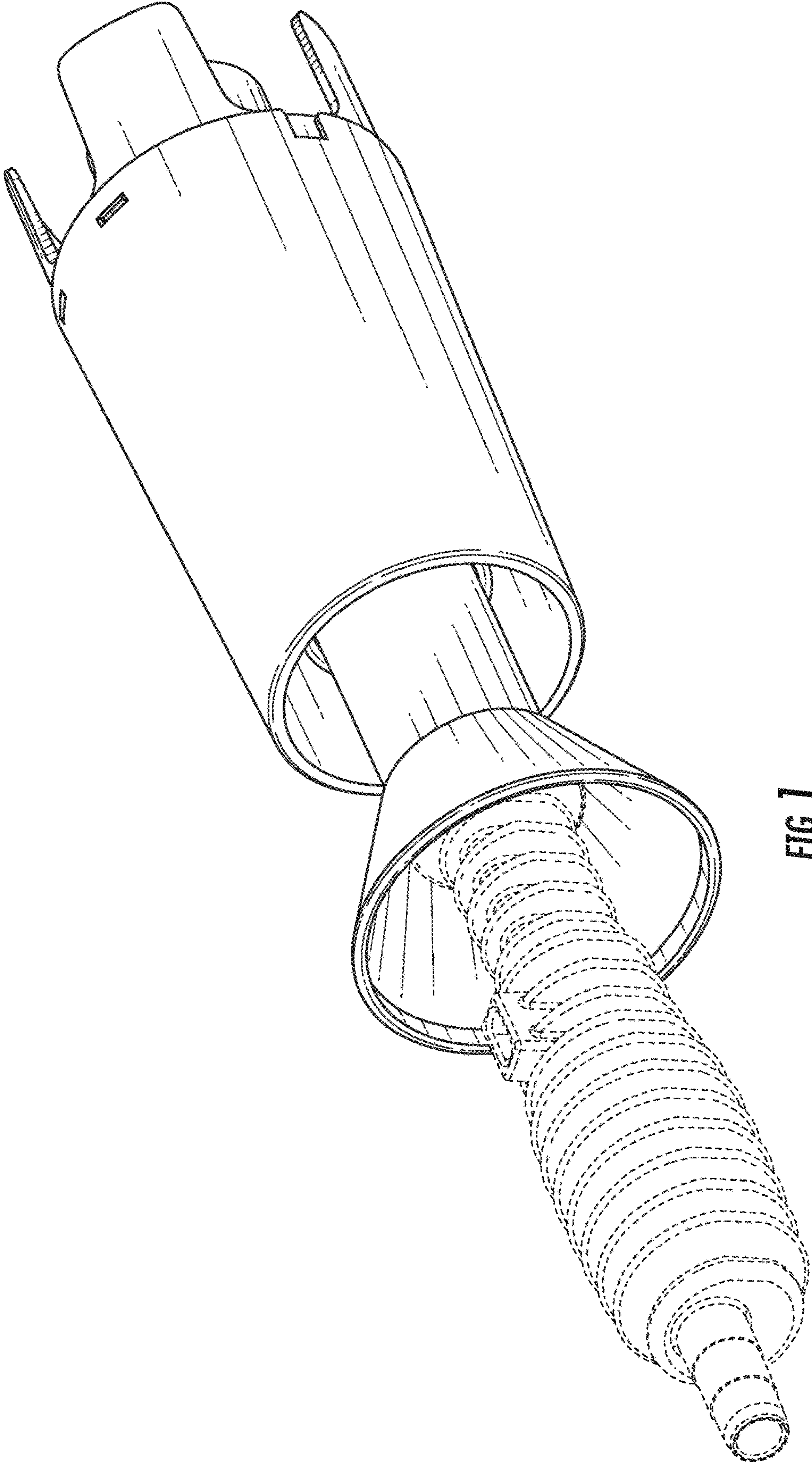


FIG. 1

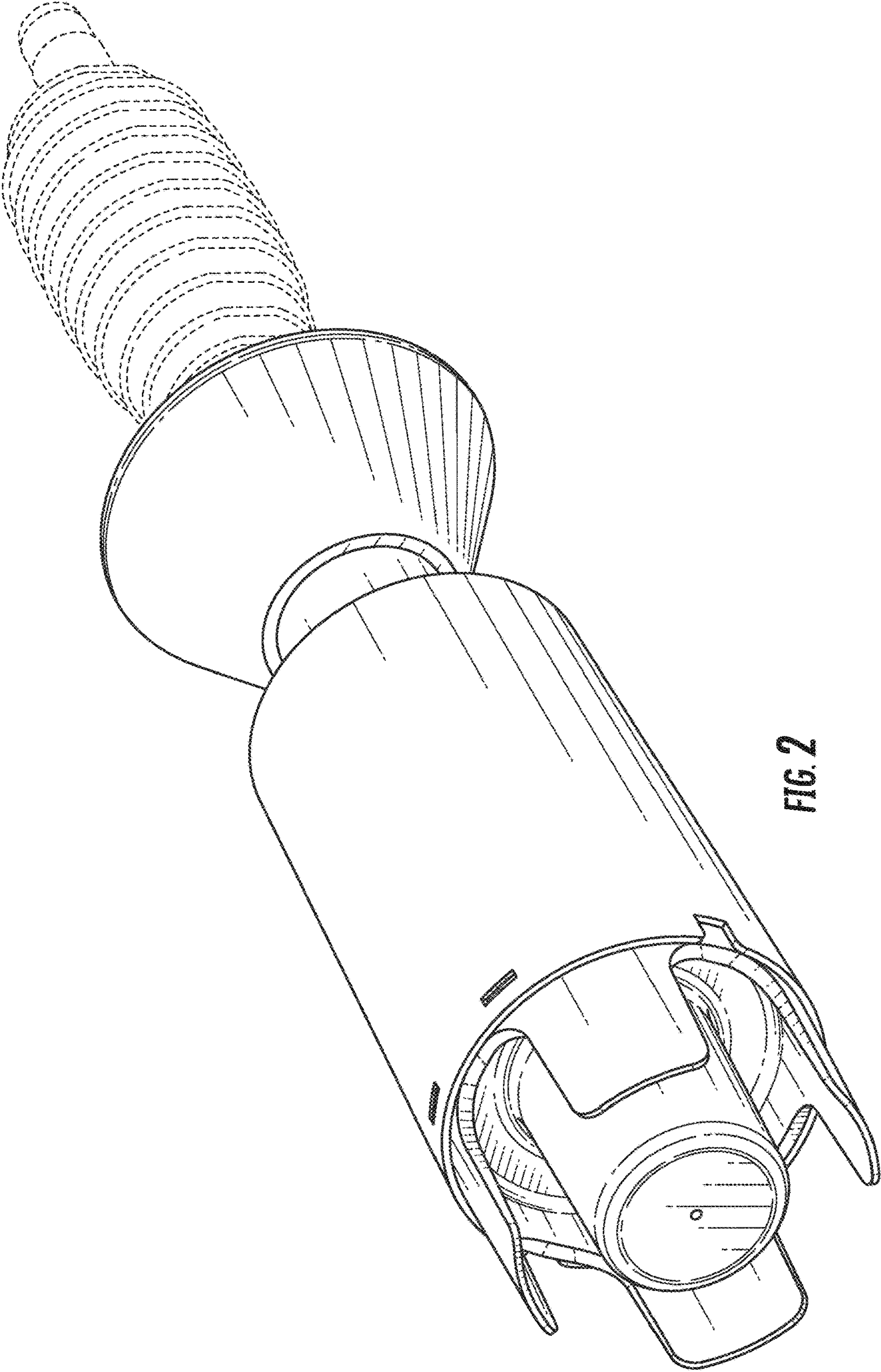
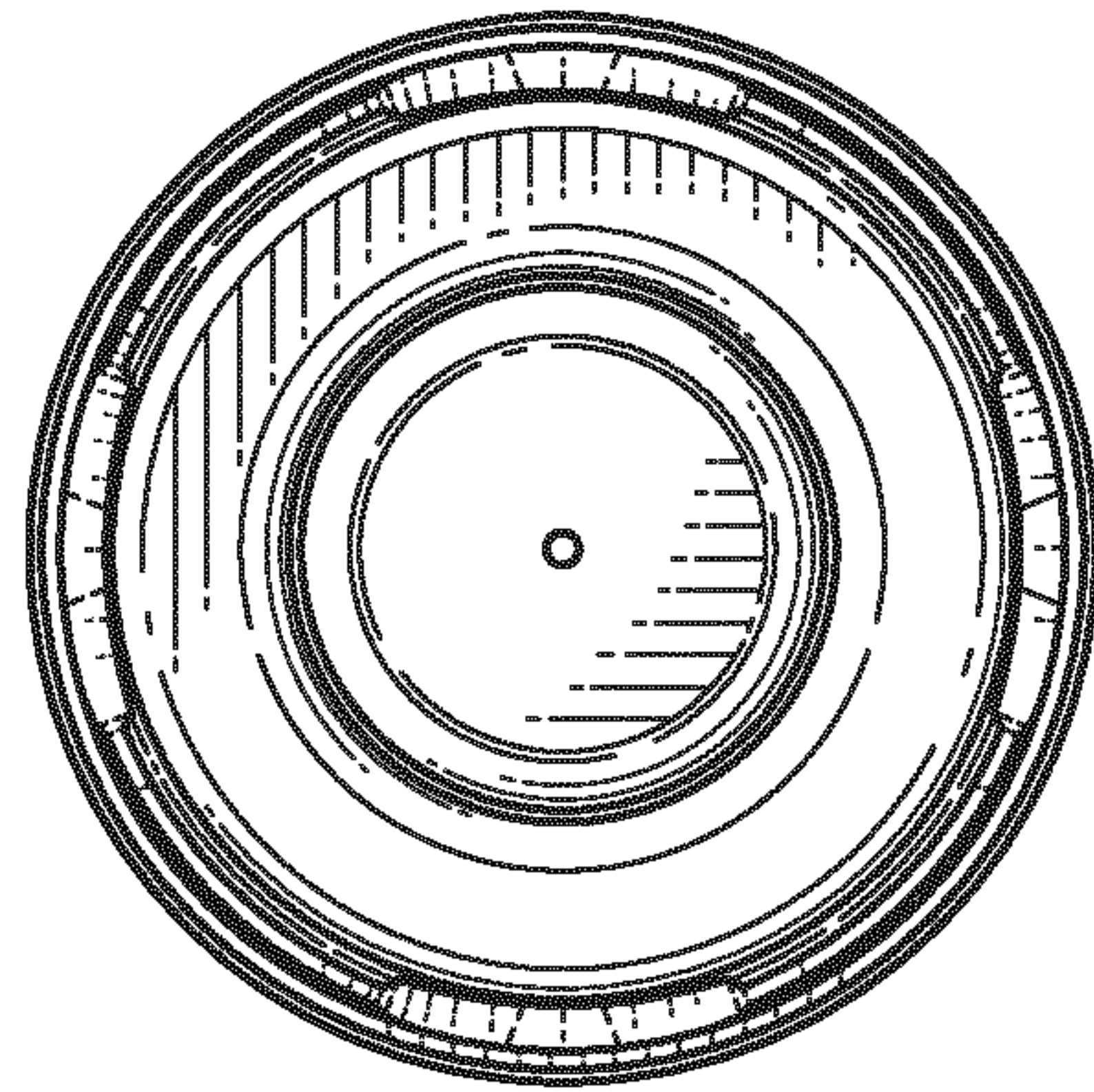
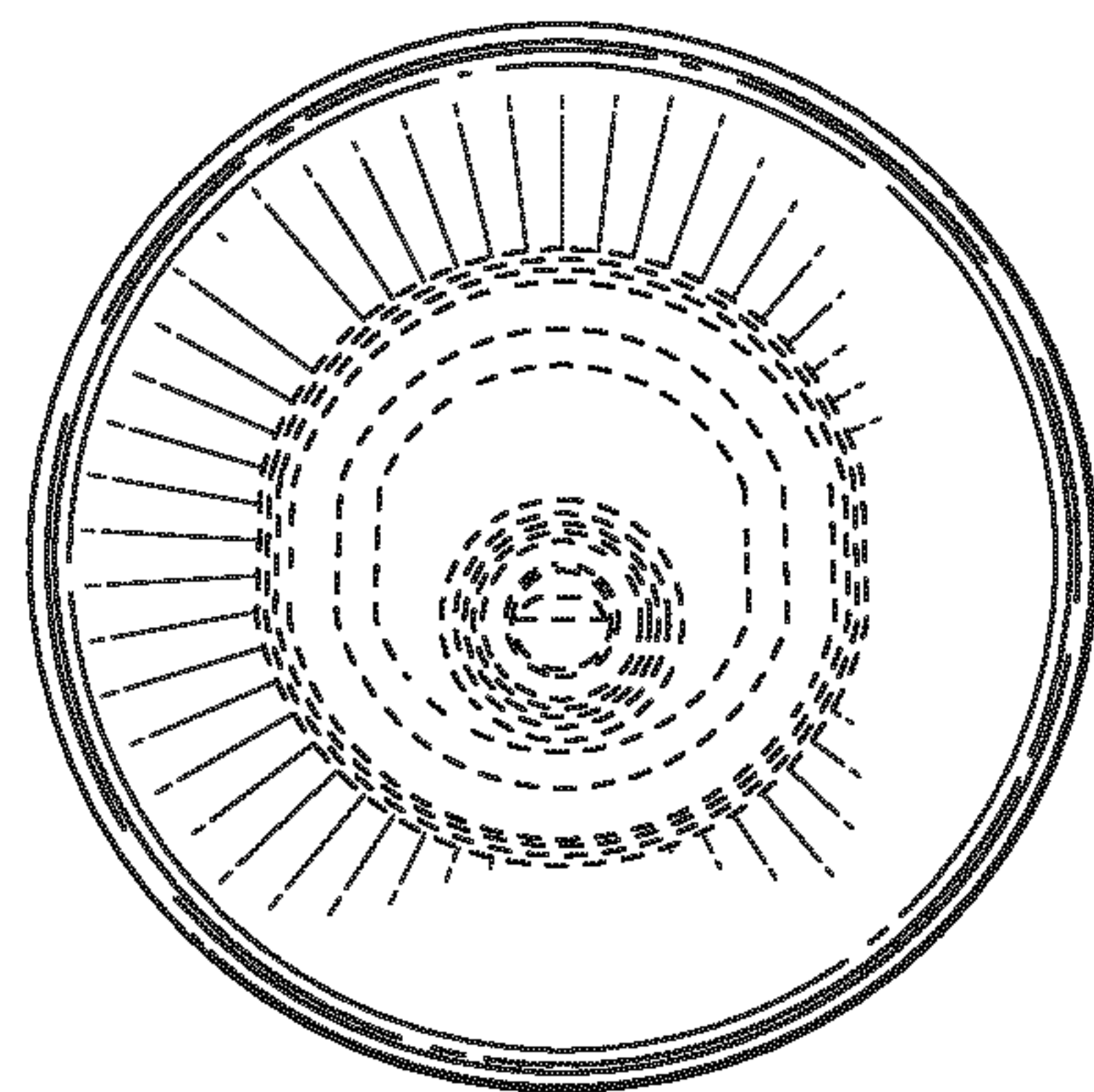


FIG. 2



**FIG. 3**



**FIG. 4**



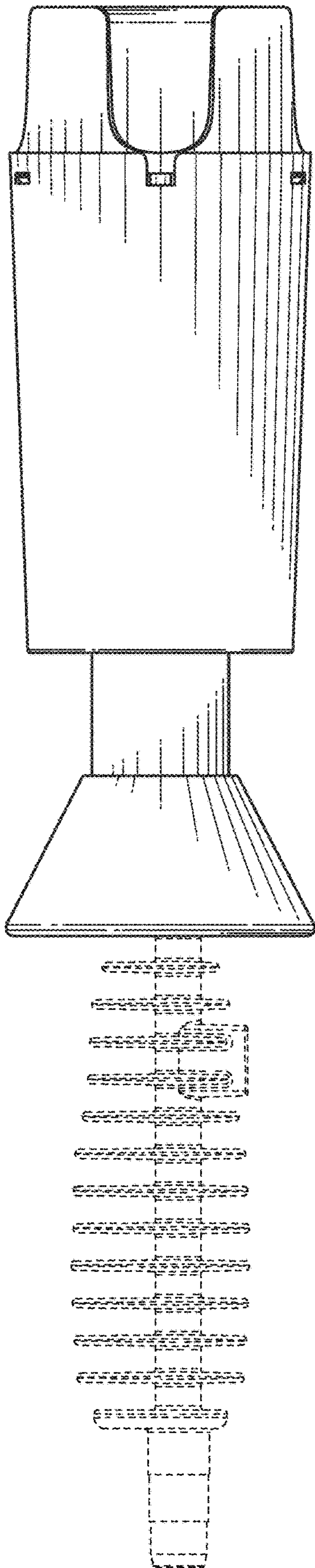


FIG. 5

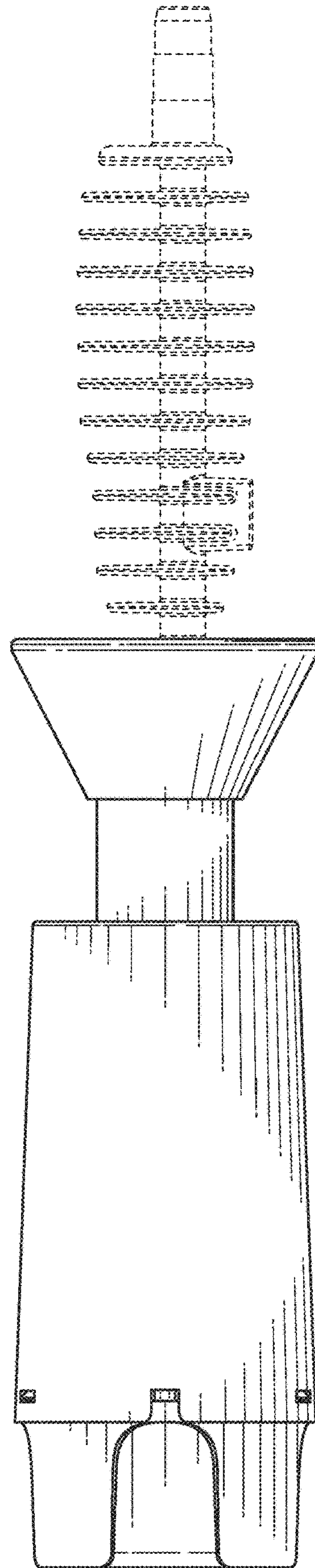
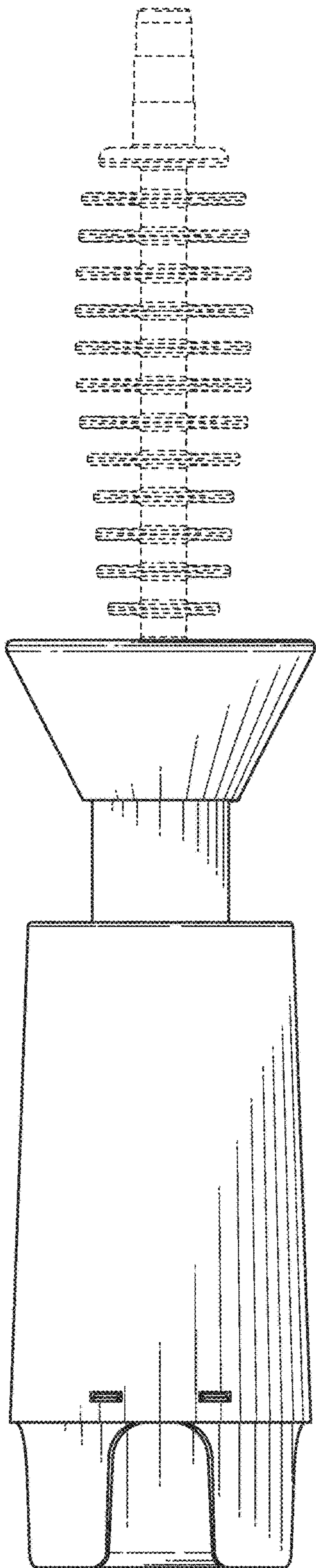
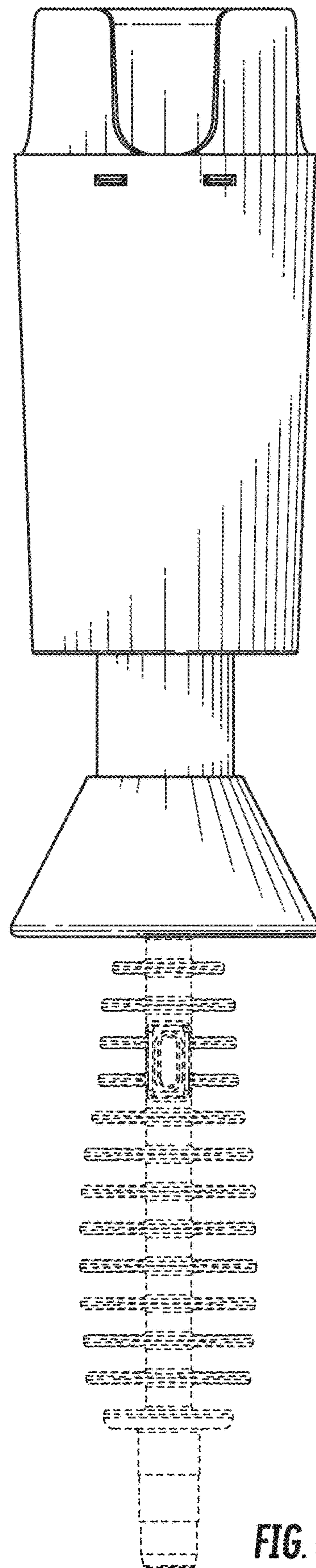


FIG. 6



**FIG. 7**



**FIG. 8**