



US00D944014S

(12) **United States Design Patent** (10) **Patent No.:** **US D944,014 S**
Strum et al. (45) **Date of Patent:** **** Feb. 22, 2022**

(54) **ORGANIZATION DEVICE**

21/0209; B65D 21/0211; B65D 21/0233;
B65D 25/04; B65D 25/22; B65D
2581/34; B65D

(71) Applicant: **Polder Products, LLC**, Oxford, CT
(US)

(Continued)

(72) Inventors: **Donald Samuel Strum**, Princeton, NJ
(US); **Robert Beale Van Varick**,
Yardley, PA (US); **George Benjamin**
Wintner, Brooklyn, NY (US); **Kerry**
Cooper, Pleasantville, NY (US)

(56)

References Cited

U.S. PATENT DOCUMENTS

D198,513 S * 6/1964 Caprioli D9/456
3,593,856 A * 7/1971 Zander A45C 11/34
211/69.5

(Continued)

(73) Assignee: **Polder Products, LLC**, Oxford, CT
(US)

OTHER PUBLICATIONS

(**) Term: **15 Years**

The Inspired Home Show—Global Innovation Awards 2020, prod-
uct available in the public no later than Apr. 23, 2020,
theinspiredhomeshow.com [online], [site visited Jun. 15, 2021],
Available at URL: [https://www.theinspiredhomeshow.com/explore/
awards/gia-excellence-in-product-design-2020/](https://www.theinspiredhomeshow.com/explore/awards/gia-excellence-in-product-design-2020/) (Year: 2020).*

(21) Appl. No.: **29/730,682**

(22) Filed: **Apr. 7, 2020**

(51) **LOC (13) Cl.** **03-01**

(52) **U.S. Cl.**

USPC **D3/313**; D3/304; D3/901

(58) **Field of Classification Search**

USPC D3/206, 273, 276, 283–284, 293,
D3/304–315, 318–319, 321, 901, 903,
D3/297–298; D6/513–514, 524, 672,
D6/683, 683.1; D7/602, 701, 704;
D9/737, 424, 456; D19/75, 81, 83–86,
D19/90–92, 102, 107; D28/73, 76;
D32/29.1, 35, 55, 58

CPC A45C 11/20; A45F 2200/05; A45F
2200/0575; A47B 55/00; A47B 55/02;
A47F 5/00; A47F 5/005; A47F 5/0025;
A47F 5/01; A47F 5/05; A47F 5/13; A47F
5/14; A47F 7/00; A47F 7/0071; A47F
7/0078; A47F 7/02; A47G 19/02; A47G
19/025; A47G 21/14; A47G 23/06; A47G
29/08; A47J 27/16; A47J 47/00; A47J
47/01; A47J 47/16; B25H 3/006; B65D
1/00; B65D 1/0223; B65D 1/22; B65D
1/24; B65D 1/26; B65D 1/34; B65D
1/36; B65D 1/38; B65D 1/40; B65D
7/14; B65D 7/20; B65D 21/00; B65D

Primary Examiner — Jeffrey D Asch

Assistant Examiner — Caitlin A Lavery

(74) *Attorney, Agent, or Firm* — Duane Morris LLP

(57)

CLAIM

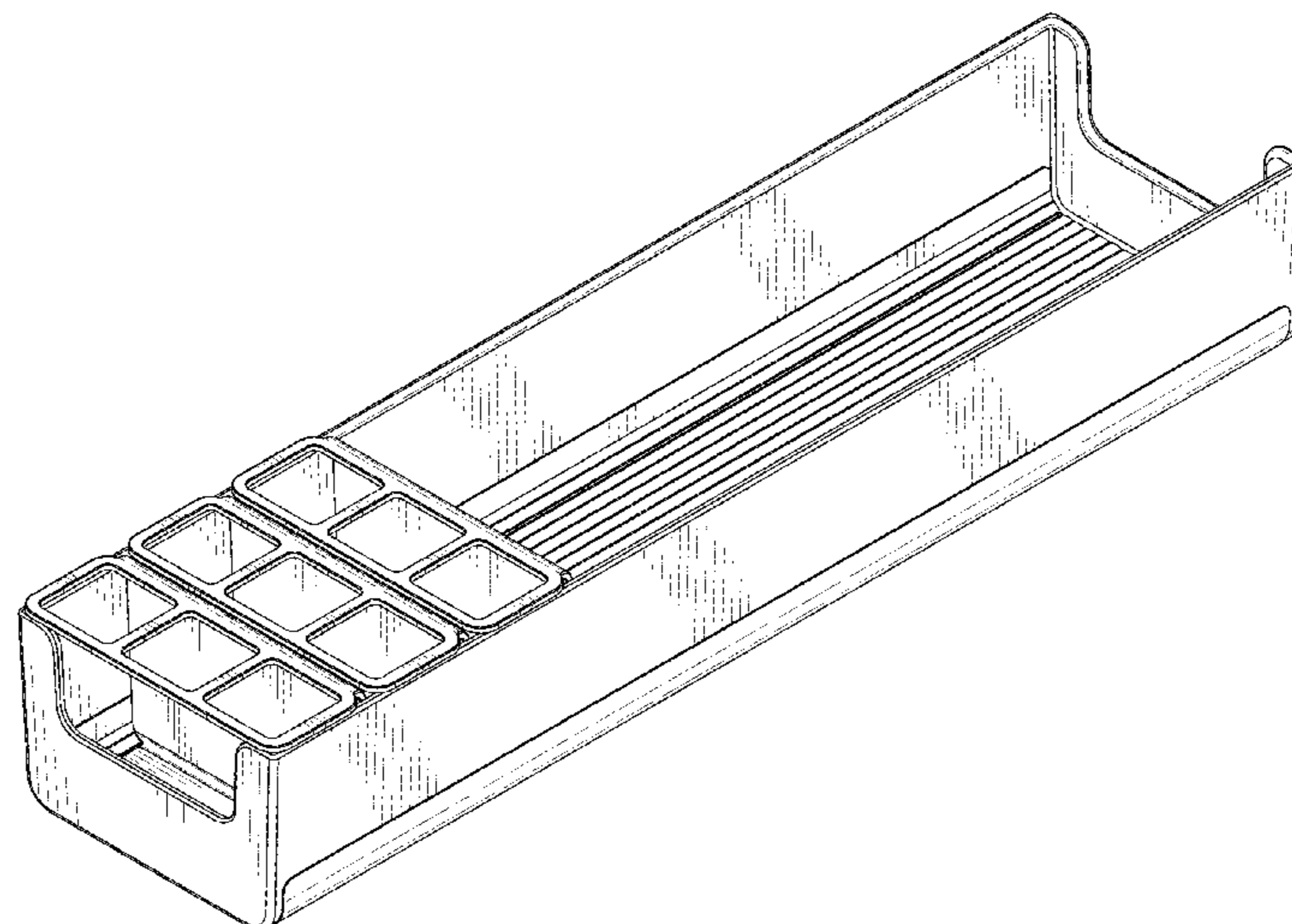
The ornamental design for an organization device, as shown
and described.

DESCRIPTION

FIG. 1 is an isometric view of an organization device;
FIG. 2 is a front view of the organization device;
FIG. 3 is a rear view of the organization device;
FIG. 4 is a right side view of the organization device;
FIG. 5 is a left side view of the organization device;
FIG. 6 is a top view of the organization device;
FIG. 7 is a bottom view of the organization device; and,
FIG. 8 is a cross-sectional view of the organization device
taken along line 8-8 in FIG. 4.

The broken lines illustrate portions of the organizational
device and form no part of the claimed design.

1 Claim, 8 Drawing Sheets



(58) **Field of Classification Search**

CPC 81/3453; B65D 81/3813; B65D 85/50;
B65D 85/505; B65D 85/52

See application file for complete search history.

(56) **References Cited**

U.S. PATENT DOCUMENTS

D252,891	S	*	9/1979	Stutzer	D28/76
4,318,478	A	*	3/1982	De Winter	A47J 47/16
						206/373
D283,012	S	*	3/1986	Jankens	D32/55
D289,181	S	*	4/1987	Solomon	D19/90
D314,656	S	*	2/1991	Box	D3/312
D335,594	S	*	5/1993	Muniz	D3/313
D423,219	S	*	4/2000	Dembicks	D3/201
D447,871	S	*	9/2001	Dembicks	D3/313
D450,186	S	*	11/2001	Dembicks	D3/313
D709,289	S	*	7/2014	Kraemer	D3/306
D747,102	S	*	1/2016	Kraemer	D3/307
D751,291	S	*	3/2016	MacNeil	D3/304
D850,795	S	*	6/2019	Goodman	D3/306
D915,073	S	*	4/2021	Kraemer	D3/307
D929,656	S	*	8/2021	Strum	D28/73
D931,724	S	*	9/2021	Chasseriaux	D9/432
D933,326	S	*	10/2021	Wilson	D32/55
D935,182	S	*	11/2021	Strum	D3/313

* cited by examiner

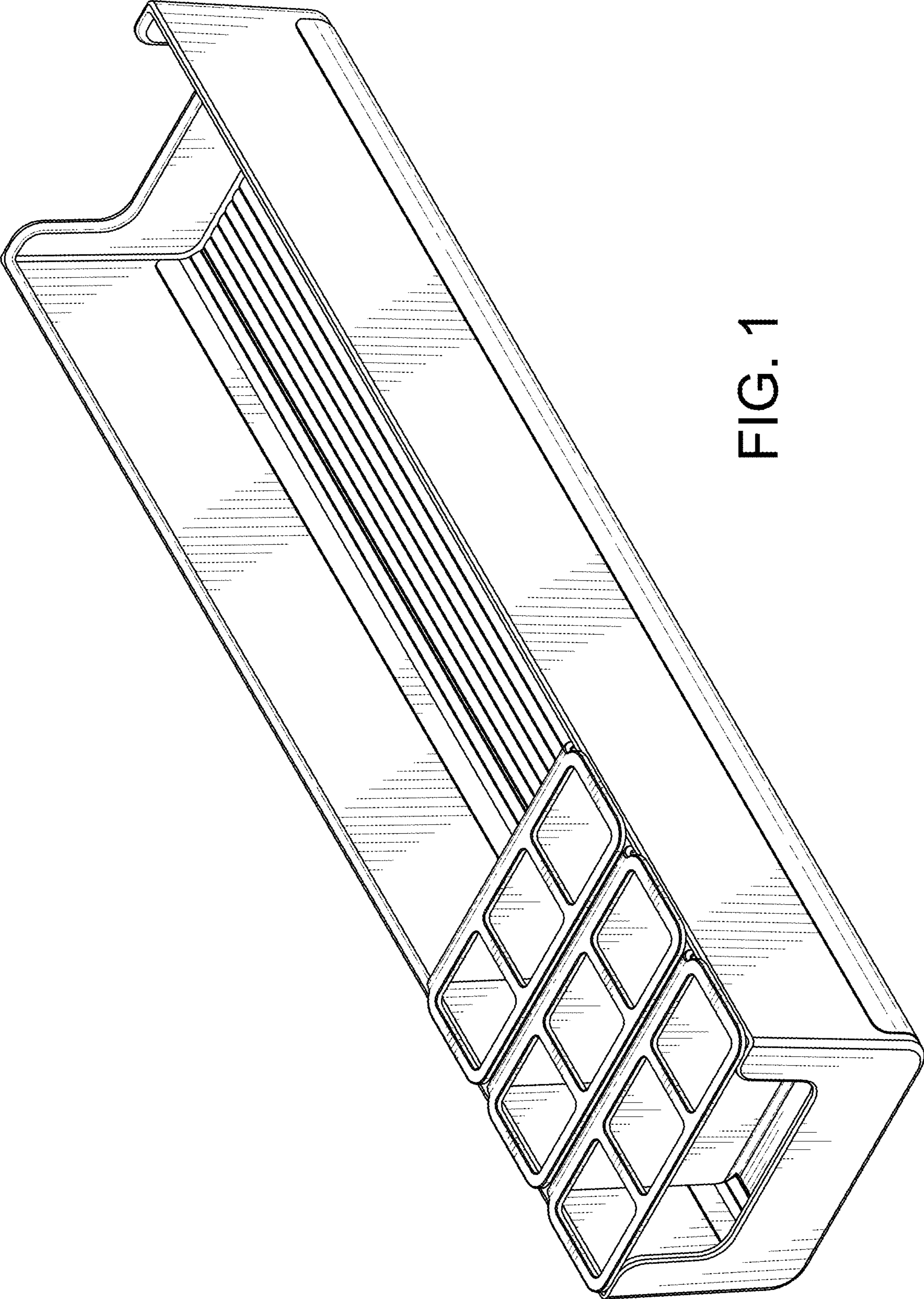


FIG. 1

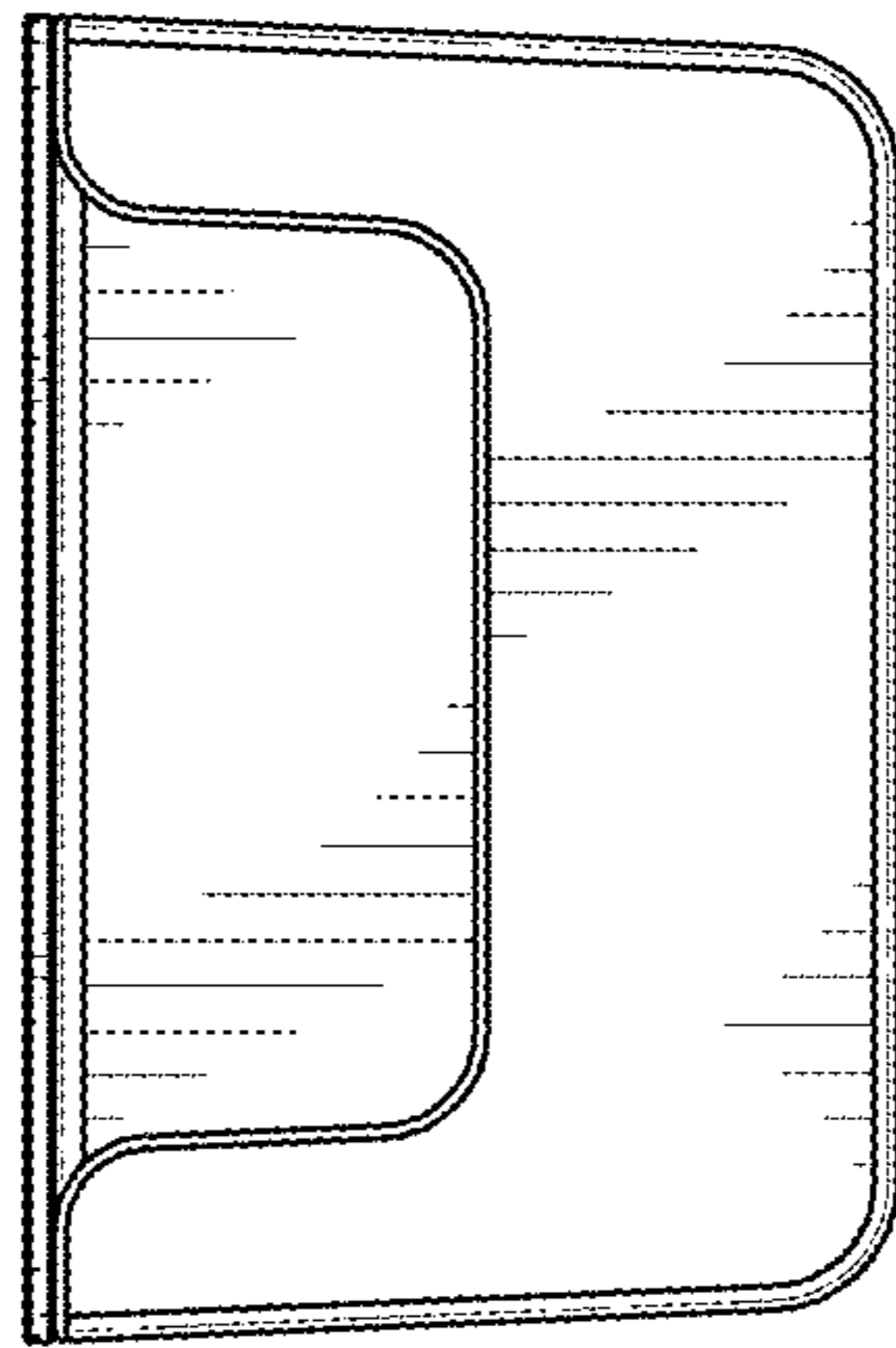


FIG. 2

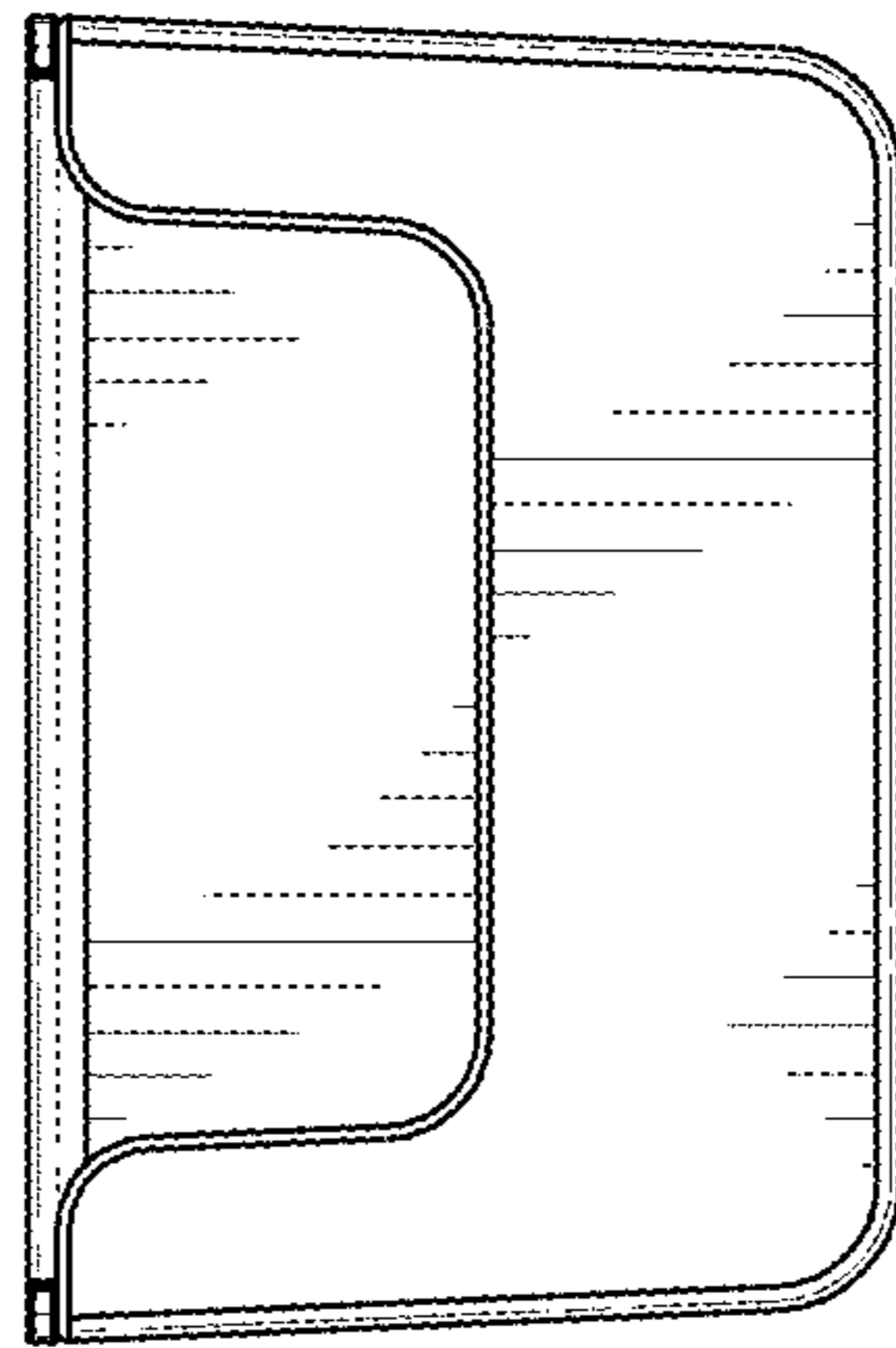


FIG. 3

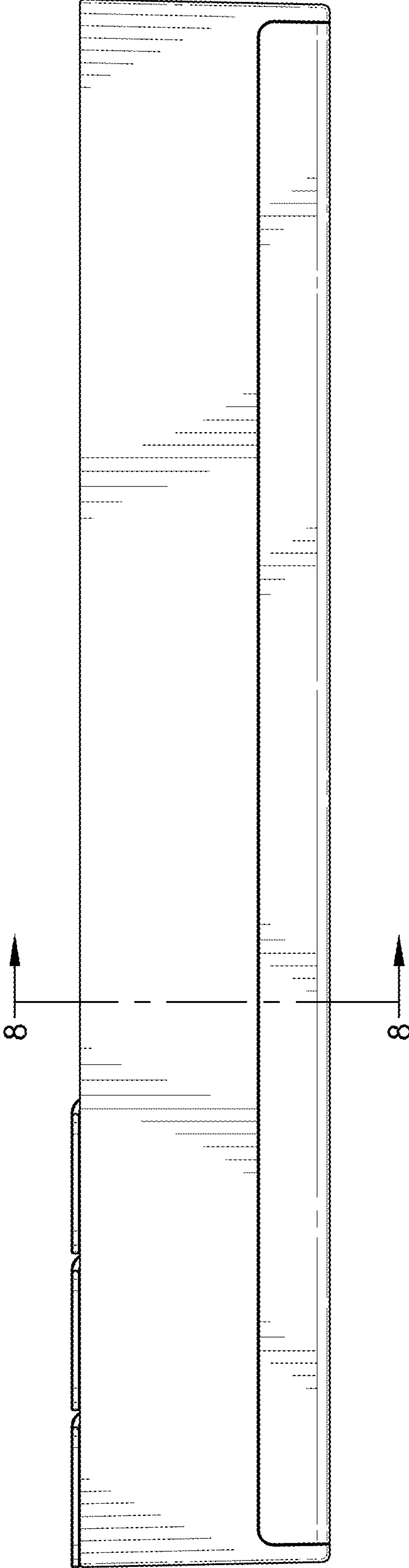


FIG. 4

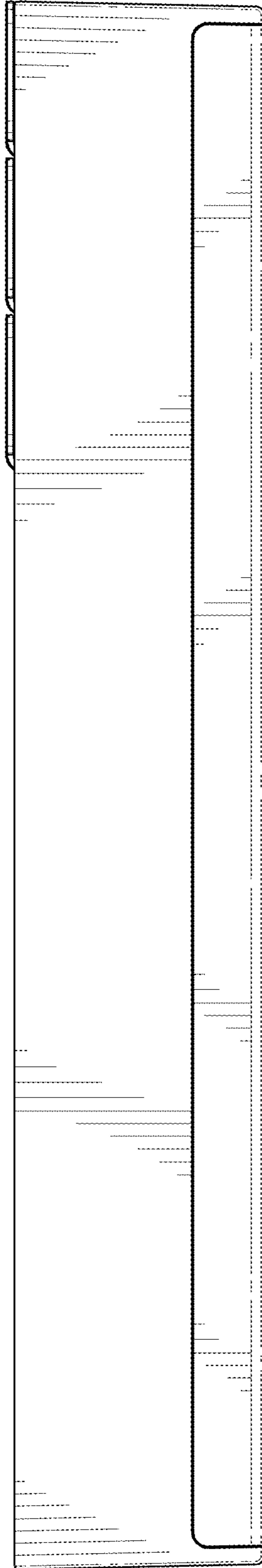


FIG. 5

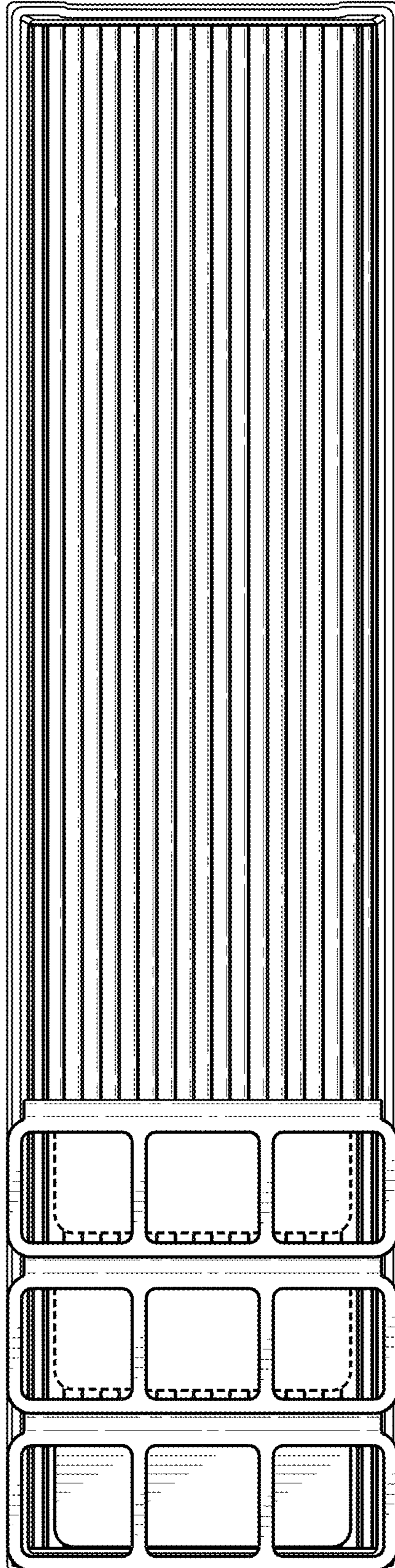


FIG. 6

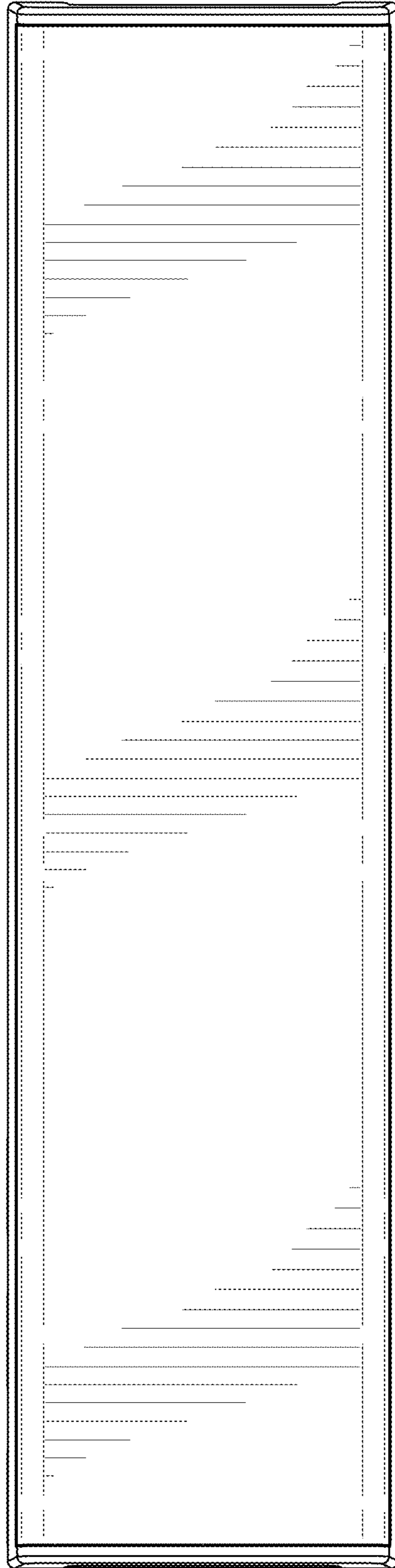


FIG. 7

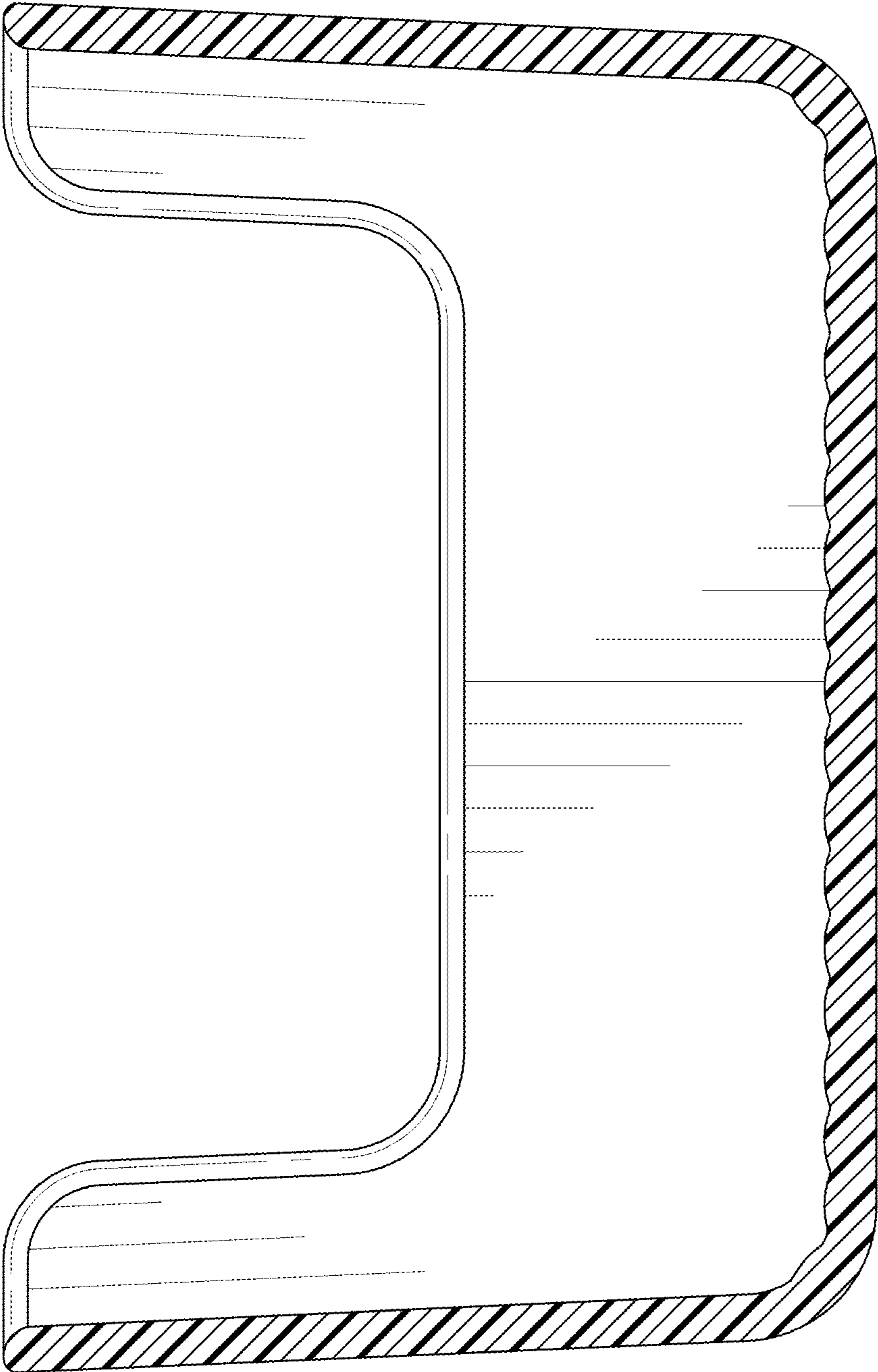


FIG. 8