



US00D944013S

(12) **United States Design Patent** (10) **Patent No.:** **US D944,013 S**  
**Kraemer** (45) **Date of Patent:** **\*\* Feb. 22, 2022**

(54) **BIN**

(71) Applicant: **Metro Decor LLC**, Glenwillow, OH (US)

(72) Inventor: **Kevin Francis Kraemer**, Chagrin Falls, OH (US)

(73) Assignee: **Metro Decor, LLC**, Glenwillow, OH (US)

(\*\*) Term: **15 Years**

(21) Appl. No.: **29/775,179**

(22) Filed: **Mar. 22, 2021**

**Related U.S. Application Data**

(60) Continuation of application No. 29/733,377, filed on May 1, 2020, now Pat. No. Des. 913,694, which is a division of application No. 29/712,033, filed on Nov. 5, 2019, now Pat. No. Des. 893,874, which is a continuation of application No. 29/656,713, filed on Jul. 16, 2018, now Pat. No. Des. 878,050, which is a continuation of application No. 29/614,789, filed on Aug. 23, 2017, now Pat. No. Des. 826,061, which is a continuation of application No. 29/551,071, filed on Jan. 11, 2016, now Pat. No. Des. 799,219, which is a continuation of application No. 29/503,223, filed on Sep. 24, 2014, now Pat. No. Des. 750,443, which is a continuation of application No. 29/480,138, filed on Jan. 23, 2014, now abandoned, which is a  
(Continued)

(51) **LOC (13) Cl.** ..... **03-01**

(52) **U.S. Cl.**  
USPC ..... **D3/307**

(58) **Field of Classification Search**

USPC ..... D3/303–305, 307–309; D32/37;  
D9/643–644, 645–647, 703, 425–426,  
D9/432; D19/92, 100  
CPC .... B65D 1/22; B65D 1/34; B65D 1/38; A47B  
88/906; A47B 88/994; A47J 47/00; A47J  
47/16; A47F 3/14

See application file for complete search history.

(56) **References Cited**

**U.S. PATENT DOCUMENTS**

3,479,105 A 11/1969 Farren  
D365,730 S 1/1996 Brightbill  
(Continued)

**OTHER PUBLICATIONS**

Amazon.com mDesign Plastic Kitchen Pantry Cabinet, Refrigerator or Freezer Food Storage Bin with Handles, Nov. 21, 2019, <https://www.amazon.com/mDesign-Plastic-Kitchen-Cabinet-Refrigerator/dp/B081TGK476/> (Year: 2019).\*

(Continued)

*Primary Examiner* — Nathan M Johnston

(74) *Attorney, Agent, or Firm* — Calfee, Halter & Griswold LLP

(57) **CLAIM**

The ornamental design for a bin, as shown and described.

**DESCRIPTION**

FIG. 1 is a front/left/top perspective view of a bin (a front/left/top perspective view would be a mirror image thereof);

FIG. 2 is a rear/right/bottom perspective view thereof (a rear/left/bottom perspective view would be a mirror image thereof);

FIG. 3 is a front elevational view thereof (a rear elevational view would be a mirror image thereof);

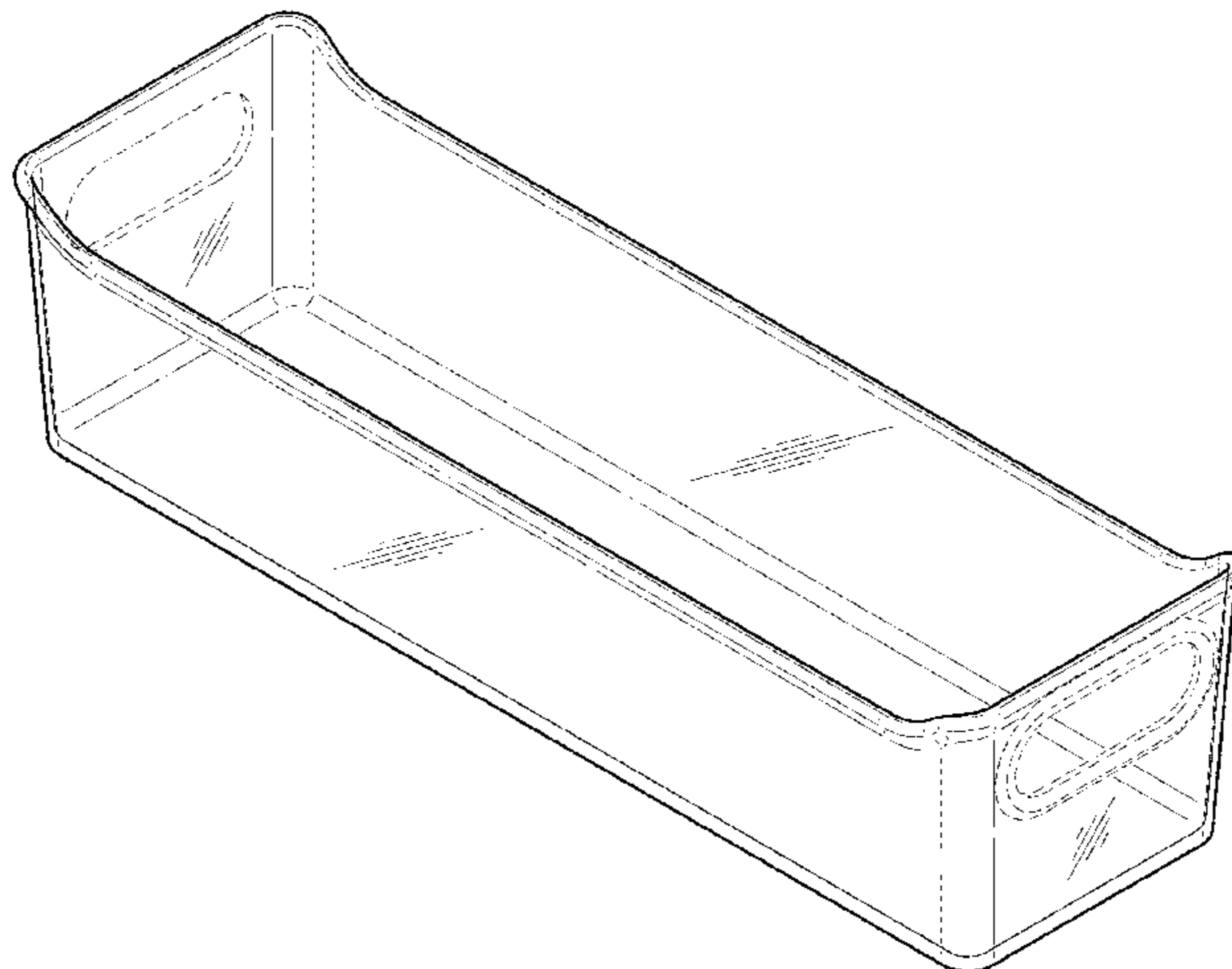
FIG. 4 is a left side elevational view thereof (a right side elevational view would be a mirror image thereof);

FIG. 5 is a top plan view thereof; and,

FIG. 6 is a bottom plan view thereof.

The broken lines depict portions of the bin that form no part of the claimed design.

**1 Claim, 4 Drawing Sheets**



**Related U.S. Application Data**

continuation of application No. 29/444,254, filed on  
Jan. 29, 2013, now Pat. No. Des. 698,612.

(56)

**References Cited**

U.S. PATENT DOCUMENTS

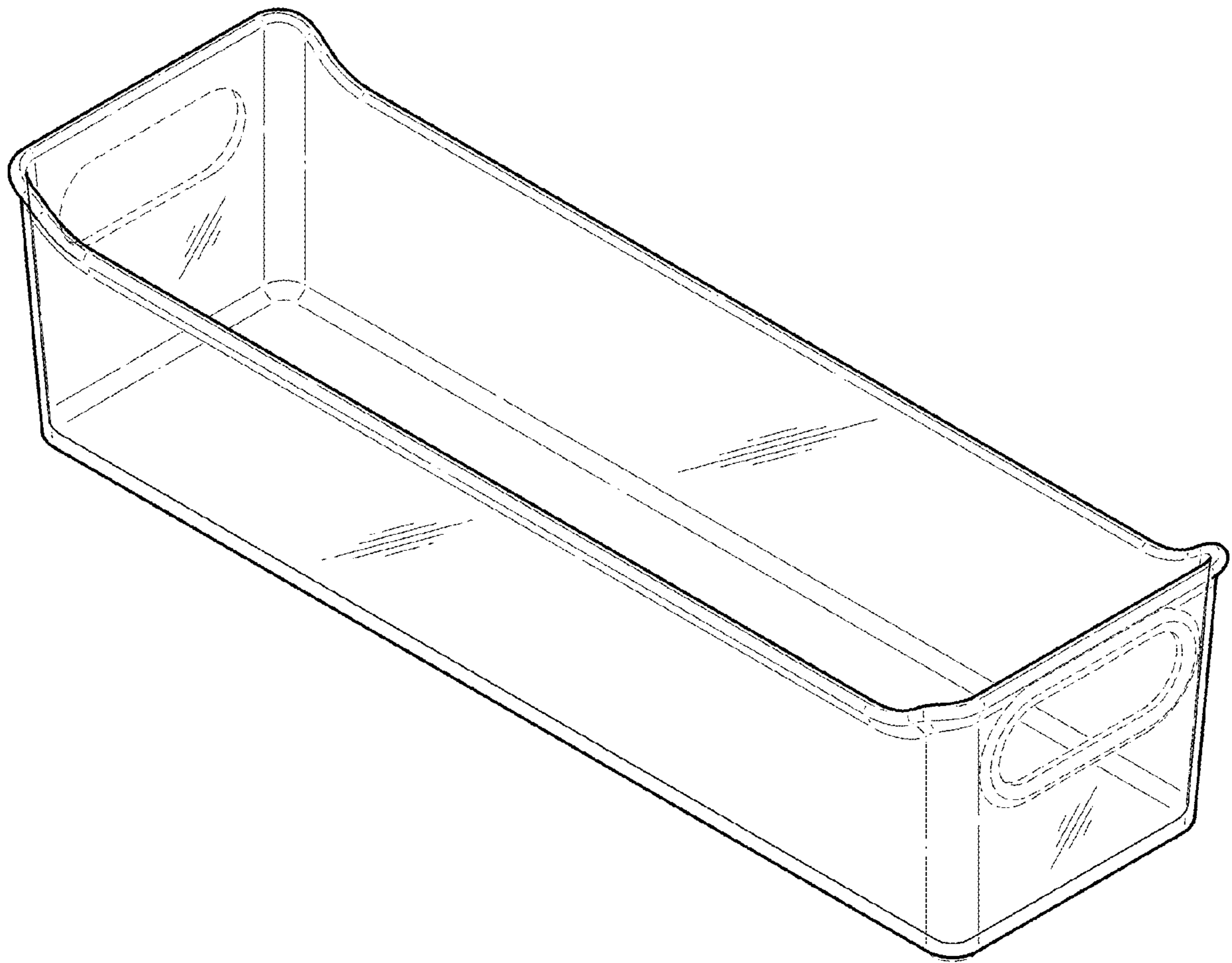
D517,319 S 3/2006 Wisnoski  
D538,539 S 3/2007 Richardson  
D606,314 S 12/2009 Neilsen  
D635,770 S 4/2011 Kobilarcik  
D636,601 S 4/2011 Brown  
8,342,329 B2 1/2013 Kobilarcik  
D692,668 S 11/2013 Hu  
D709,289 S 7/2014 Kraemer  
D747,102 S \* 1/2016 Kraemer ..... D3/307  
D751,318 S \* 3/2016 Kraemer ..... D6/525  
D772,575 S \* 11/2016 Stelmarski ..... D3/304  
D809,797 S \* 2/2018 Kraemer ..... D3/307  
D832,115 S \* 10/2018 Fitchett ..... D9/711

D842,606 S \* 3/2019 Kraemer ..... D3/307  
D866,973 S \* 11/2019 Snell ..... D3/314  
D878,051 S \* 3/2020 Kraemer ..... D3/307  
D887,746 S 6/2020 Kraemer  
D893,874 S \* 8/2020 Kraemer ..... D3/310  
D902,594 S \* 11/2020 Kraemer ..... D3/310  
D913,694 S 3/2021 Kraemer  
D915,073 S \* 4/2021 Kraemer ..... D3/307  
D919,974 S \* 5/2021 Kraemer ..... D3/314  
D925,229 S \* 7/2021 Kraemer ..... D3/307  
2009/0178989 A1 7/2009 Accuardi

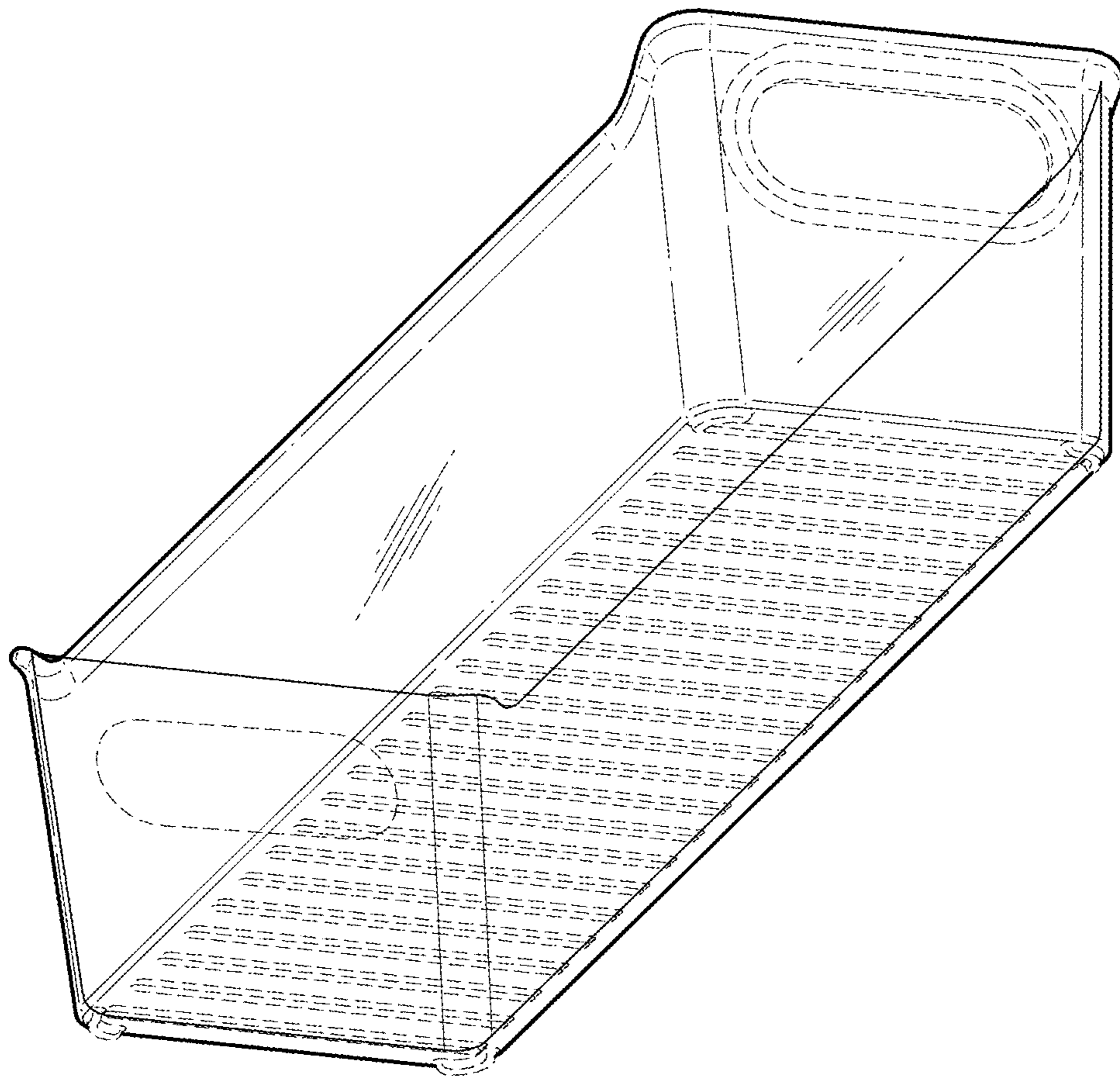
OTHER PUBLICATIONS

Amazon.com, mdesign Plastic Food Packet Kitchen Storage Organizer Bin Caddy, Mar. 3, 2016, [https://www.amazon.com/mDesign-Plastic-Kitchen-Storage-Organizer/dp/B01CIT3D72/ref=psdc\\_3744031\\_tl\\_B07DHYK8DH](https://www.amazon.com/mDesign-Plastic-Kitchen-Storage-Organizer/dp/B01CIT3D72/ref=psdc_3744031_tl_B07DHYK8DH) (Year: 2016).

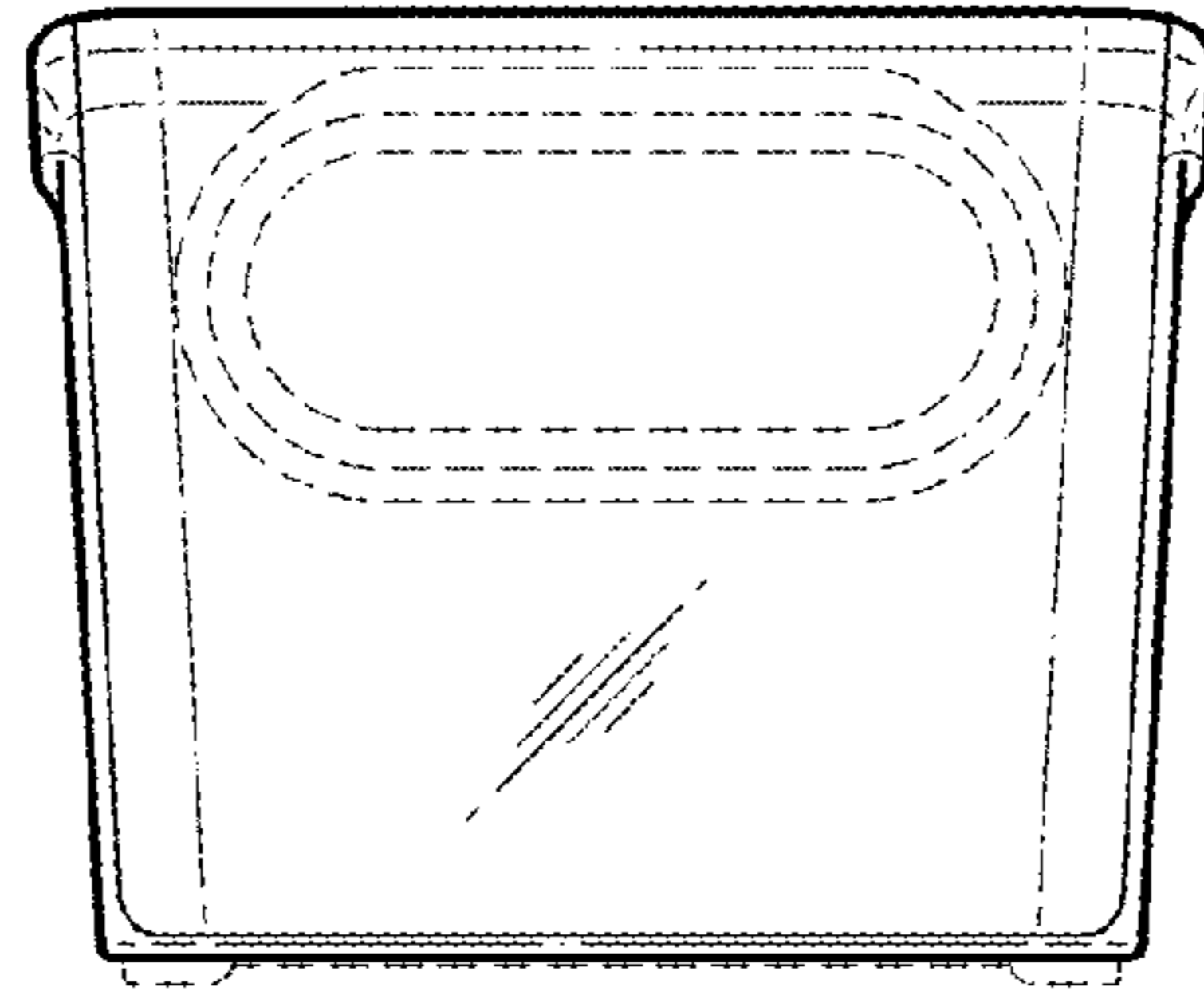
\* cited by examiner



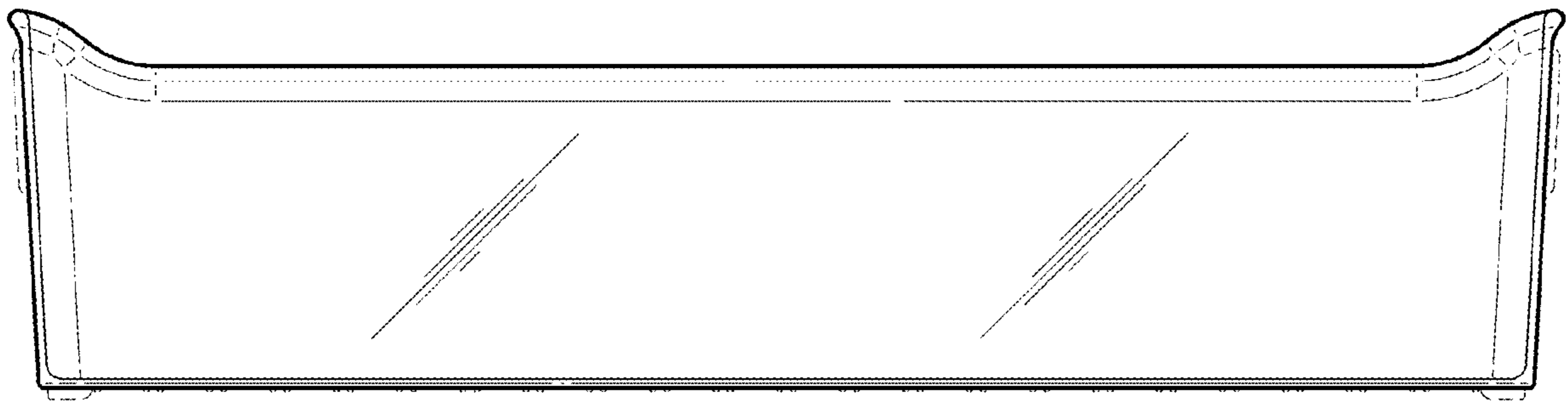
**FIG. 1**



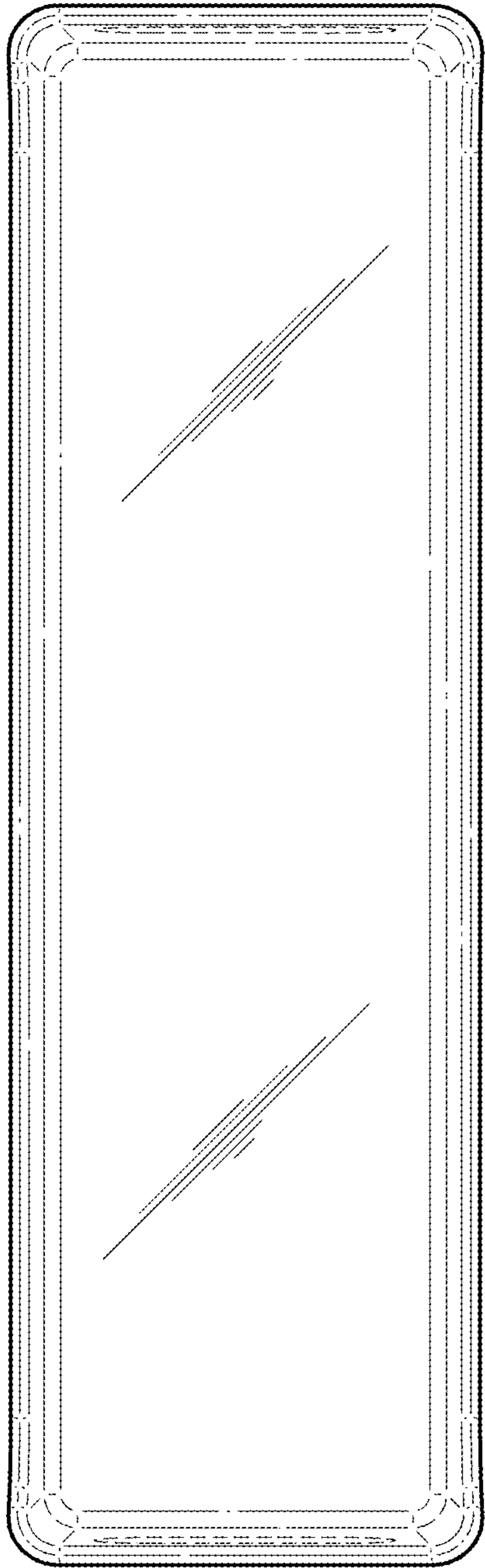
**FIG. 2**



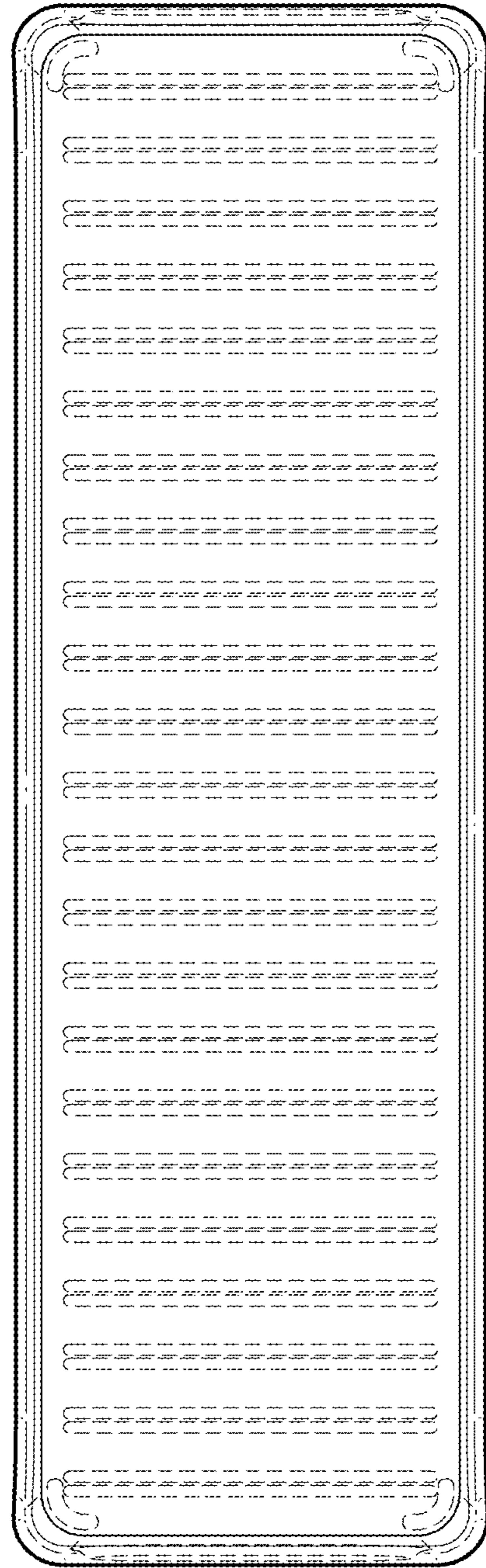
**FIG. 3**



**FIG. 4**



**FIG. 5**



**FIG. 6**