

US00D944008S

(12) **United States Design Patent** (10) **Patent No.:** **US D944,008 S**
Tan (45) **Date of Patent:** **** Feb. 22, 2022**

(54) **TACKLE BINDER WITH HOOKS**
(71) Applicant: **Thousand Oaks Corp.**, Irwindale, CA (US)

D396,745 S 8/1998 Peterson
D401,062 S 11/1998 Hauschild
D423,779 S 5/2000 Goatcher
(Continued)

(72) Inventor: **Roger Tan**, Chino, CA (US)
(73) Assignee: **Thousand Oaks Corp.**, Irwindale, CA (US)

OTHER PUBLICATIONS

Amazon, "Flambeau 4007 Heritage Tackle Bag, Fir Green/Pewter/Rust, FL40001", First on sale Apr. 23, 2020. (<https://www.amazon.com/Flambeau-Heritage-Bait-Binder/dp/B089469PPT>) (Year: 2020).*
(Continued)

(**) Term: **15 Years**
(21) Appl. No.: **29/697,572**

Primary Examiner — April Rivas
(74) *Attorney, Agent, or Firm* — J. Andrew Reed; Vincent J. Allen; Carstens & Cahoon, LLP

(22) Filed: **Jul. 9, 2019**
(51) **LOC (13) Cl.** **03-01**
(52) **U.S. Cl.**
USPC **D3/260; D3/285; D3/290**
(58) **Field of Classification Search**
USPC D3/217, 226, 273, 276, 283, 285, 287,
D3/289, 290, 301, 900, 905, 260
CPC A45C 11/00; A45C 3/001; A45C 13/02;
A45C 2013/026; A01K 97/06
See application file for complete search history.

(57) **CLAIM**

The ornamental design for a tackle binder with hooks, as shown and described herein.

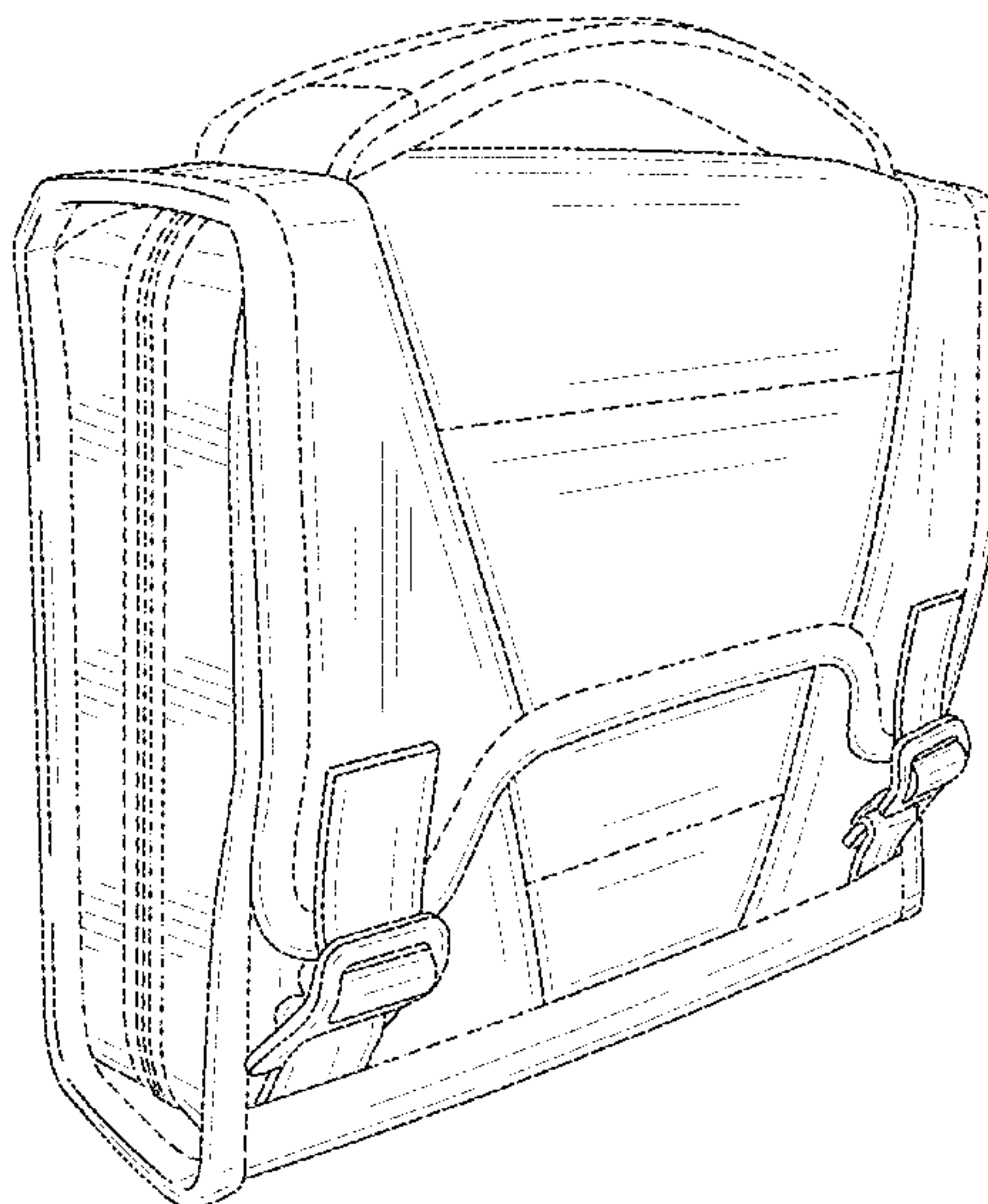
DESCRIPTION

FIG. 1 is a front elevation view of the tackle binder with hooks;
FIG. 2 is a rear elevation view of the tackle binder;
FIG. 3 is a left side elevation view of the tackle binder with hooks;
FIG. 4 is a right side elevation view of the tackle binder with hooks;
FIG. 5 is a top view of the tackle binder with hooks;
FIG. 6 is a bottom view of the tackle binder with hooks;
FIG. 7 is a right side perspective view of the tackle binder with hooks;
FIG. 8 is a left side perspective view of the tackle binder with hooks; and,
FIG. 9 is a perspective interior view of the tackle binder with hooks.
The various components shown in broken line illustrations are shown in broken lines for illustrative purposes only and form no part of the claimed design.

(56) **References Cited**
U.S. PATENT DOCUMENTS

3,181,751 A	5/1965	Wilson
4,151,938 A	5/1979	Barker et al.
D280,260 S	8/1985	Leiserson
D284,333 S	6/1986	Huston
D284,620 S	7/1986	Calton
D291,149 S	8/1987	Smith
D312,530 S	12/1990	Gallen et al.
D333,038 S	2/1993	Collins
D347,521 S	6/1994	Elliott
D360,182 S	7/1995	Lovett
D371,052 S	6/1996	Melk
D371,724 S	7/1996	Melk
D376,044 S	12/1996	Trawick et al.
D383,601 S	9/1997	Jones et al.
D389,305 S	1/1998	Hauschild

1 Claim, 7 Drawing Sheets



(56)

References Cited

U.S. PATENT DOCUMENTS

D427,768 S 7/2000 Bogert
 D435,343 S 12/2000 Eskandry
 6,202,910 B1 3/2001 Swetish
 D465,086 S 11/2002 Watts
 D468,101 S * 1/2003 Hassett D3/283
 D469,606 S * 2/2003 Su D3/276
 D472,380 S 4/2003 Hillman
 D472,386 S * 4/2003 Bauer D3/276
 D474,598 S 5/2003 Platte, III
 D476,480 S 7/2003 Hillman
 6,612,434 B1 9/2003 Redzisz
 D482,842 S 12/2003 Fair
 D484,695 S * 1/2004 DePalma D3/284
 D487,189 S 3/2004 Ukitsu
 D487,191 S * 3/2004 Ong D3/284
 D495,489 S 9/2004 Messina-Brown
 D504,229 S * 4/2005 Duvigneau D3/243
 D506,061 S 6/2005 McGibben
 D528,295 S 9/2006 Harvey
 D530,089 S 10/2006 Silverman
 D542,527 S 5/2007 Zapata
 7,240,513 B1 7/2007 Conforti
 D552,350 S * 10/2007 Bosley D3/287
 D556,452 S * 12/2007 Hydon D3/247
 D566,393 S * 4/2008 Kidakarn D3/283
 D574,615 S * 8/2008 Picot D3/289
 D620,254 S 7/2010 Noraker
 D639,051 S 6/2011 Dare
 D647,301 S 10/2011 Sosnovsky
 8,043,004 B2 10/2011 Mogil
 D648,533 S 11/2011 Sosnovsky
 D660,589 S 5/2012 Ayjian
 8,348,510 B2 1/2013 Mogil
 D676,652 S 2/2013 Holloway et al.
 D692,661 S 11/2013 Gupton, Jr.
 D714,541 S 10/2014 Anderson et al.
 D724,318 S 3/2015 Myer
 D725,908 S 4/2015 Zwetzig
 D739,653 S 9/2015 Majeau et al.
 D742,637 S 11/2015 Miles
 D761,564 S * 7/2016 Rhodes D3/284
 D762,384 S 8/2016 Boroski
 D762,978 S 8/2016 Boroski
 D779,824 S 2/2017 Boroski
 D781,575 S 3/2017 Etekochay
 D787,816 S 5/2017 Slimane
 D793,728 S 8/2017 Faibish et al.
 D796,188 S 9/2017 Ho
 D821,097 S 6/2018 Burton et al.
 D824,170 S * 7/2018 Tobias D3/283
 D831,952 S 10/2018 Pennington
 D832,653 S 11/2018 Waskow et al.
 D833,141 S 11/2018 Carter et al.
 D835,473 S 12/2018 Jacobsen
 D835,950 S 12/2018 Jacobsen
 D836,999 S 1/2019 Jacobsen
 D837,000 S 1/2019 Jacobsen
 D837,001 S 1/2019 Jacobsen
 D838,971 S 1/2019 Deanda
 D843,107 S 3/2019 Swaggart
 D844,324 S 4/2019 Hoppe et al.
 D845,613 S 4/2019 Decker
 D856,662 S 8/2019 Breines
 D862,528 S 10/2019 Sullivan et al.
 D873,090 S 1/2020 Jacobsen
 D874,129 S 2/2020 Goldstein
 D875,385 S 2/2020 Carter et al.
 D880,253 S 4/2020 Jacobsen
 D881,655 S 4/2020 Jacobsen
 D887,135 S 6/2020 Tan
 D888,413 S 6/2020 Dai
 D889,821 S 7/2020 Xu
 D896,504 S 9/2020 Li
 D896,505 S 9/2020 Yuan
 D896,514 S 9/2020 Tan

D899,079 S 10/2020 Priest
 D901,882 S 11/2020 Tan
 10,881,178 B2 1/2021 Johnson
 D912,974 S 3/2021 Breines
 D915,762 S 4/2021 Li
 D920,744 S 6/2021 Eisenhardt et al.
 D922,061 S 6/2021 Tan
 D927,261 S 8/2021 Rong
 2003/0234269 A1 12/2003 Shamas
 2005/0082132 A1 4/2005 Smith
 2005/0121275 A1 6/2005 Platte, III
 2007/0237432 A1 10/2007 Mogil
 2008/0116026 A1 5/2008 Bass et al.
 2008/0289925 A1 11/2008 Sapyta
 2009/0301911 A1 12/2009 Rubin
 2013/0043293 A1 2/2013 Connell
 2014/0290025 A1 10/2014 Custer
 2016/0244239 A1 8/2016 Nash
 2017/0073146 A1 3/2017 Kuhn et al.
 2018/0220759 A1 8/2018 Johnson
 2018/0252458 A1 9/2018 Furneaux et al.
 2020/0077760 A1 3/2020 Grill et al.
 2020/0228056 A1 7/2020 Miller
 2021/0007451 A1 1/2021 Tan
 2021/0007452 A1 1/2021 Tan
 2021/0068510 A1 3/2021 Johnson

OTHER PUBLICATIONS

5.11 Tactical 56298-092-1SZ-UCR 13.7L Storm Tactical Sling Bag; unknown first available date, recreationid.com [online], [site visited Nov. 24, 2020], Available from internet U RL: <https://www.recreationid.com/511tactical/ucr-13-7-l-storm-tactical-sling-bag-mpn-56298-092-1-sz.html> (Year: 2020).
 5007 Flambeau Pro-Angler Sling Pack (Kinetic Blue), unknown first available date, evolutionoutdoor.com [online], [site visited Nov. 24, 2020], Available from internet U RL: <https://evolutionoutdoor.com/products/5007-flambeau-pro-angler-sling-pack-kinetic-blue?variant=35241408331932> (Year: 2020).
 Flambeau Heritage 4007 Tackle Bag, unknown first available date, DicksSportingGoods.com [online], [site visited Nov. 24, 2020], Available from internet U RL: https://www.dickssportinggoods.com/p/flambeau-heritage-4007-tackle-bag-20fmbafmbhrtg3_70tbx/20fmbafmbhrtg370tbx?sku=21521402&camp=CSE:%E2%80%A6 (Year: 2020).
 Reebow Gear Tactical Sling Bag . . . , first available Jan. 7, 2018, amazon.com [online], [site visited Nov. 24, 2020], Available from internet U RL: <https://www.amazon.com/Tactical-Sling-Military-Shoulder-Backpack/dp/B0768G7H9N?th=1> (Year: 2018).
 Ozark Trail Outdoor Equipment “Mesh Bottom Tackle Bag”, 6 pgs. Amazon, “Piscifun Fishing Tackle Backpack with 4 Trays Large Waterproof Tackle Bag Storage . . . ”, (<https://www.amazon.com/Piscifun-Backpack-Capacity-Waterproof-Protective/dp/B07CGJDTNGI>) (Year: 2018), 13 pgs.
 Evolution Outdoor Drift Series Topless Horizontal Tackle Bag, first available Feb. 24, 2021, amazon.com [online], [site visited Jun. 28, 2021], Available at internet URL: <https://www.amazon.com/Evolution-Outdoor-Topless-Horizontal-Tackle/dp/B08WRNXXBV?th=1&psc=1> (Year: 2021).
 Evolution Outdoor Drift Series Topless Vertical Tackle Bag, first available Mar. 2, 2021, amazon.com [online], [site visited Jun. 28, 2021], Available at internet URL: <https://www.amazon.com/Evolution-Outdoor-Topless-Vertical-Tackle/dp/B08WRVCF31?th=1> (Year: 2021).
 KastKing Fishing Tackle Bag, first available Jun. 27, 2018, amazon.com [online], [site visited Jun. 28, 2021], Available at internet URL: https://www.amazon.com/KastKing-Saltwater-Waterproof-Medium-Hoss-15x11x10-25/dp/B07XRFSFPN/ref=pd_lpo_3?pd_rd_i=B07F2GH9VS&psc=1 (Year: 2018).
 Plano Guide Series Tackle Bag, first available Feb. 10, 2020, amazon.com [online], [site visited Jun. 28, 2021], Available at internet URL: <https://www.amazon.com/Piano-Premium-Storage->

(56)

References Cited

OTHER PUBLICATIONS

included-PLABG371/dp/B084NQLFMH/ref=pd_lpo_2?pd_rd_i=B084NQLFMH&psc=1 (Year: 2020).

* cited by examiner

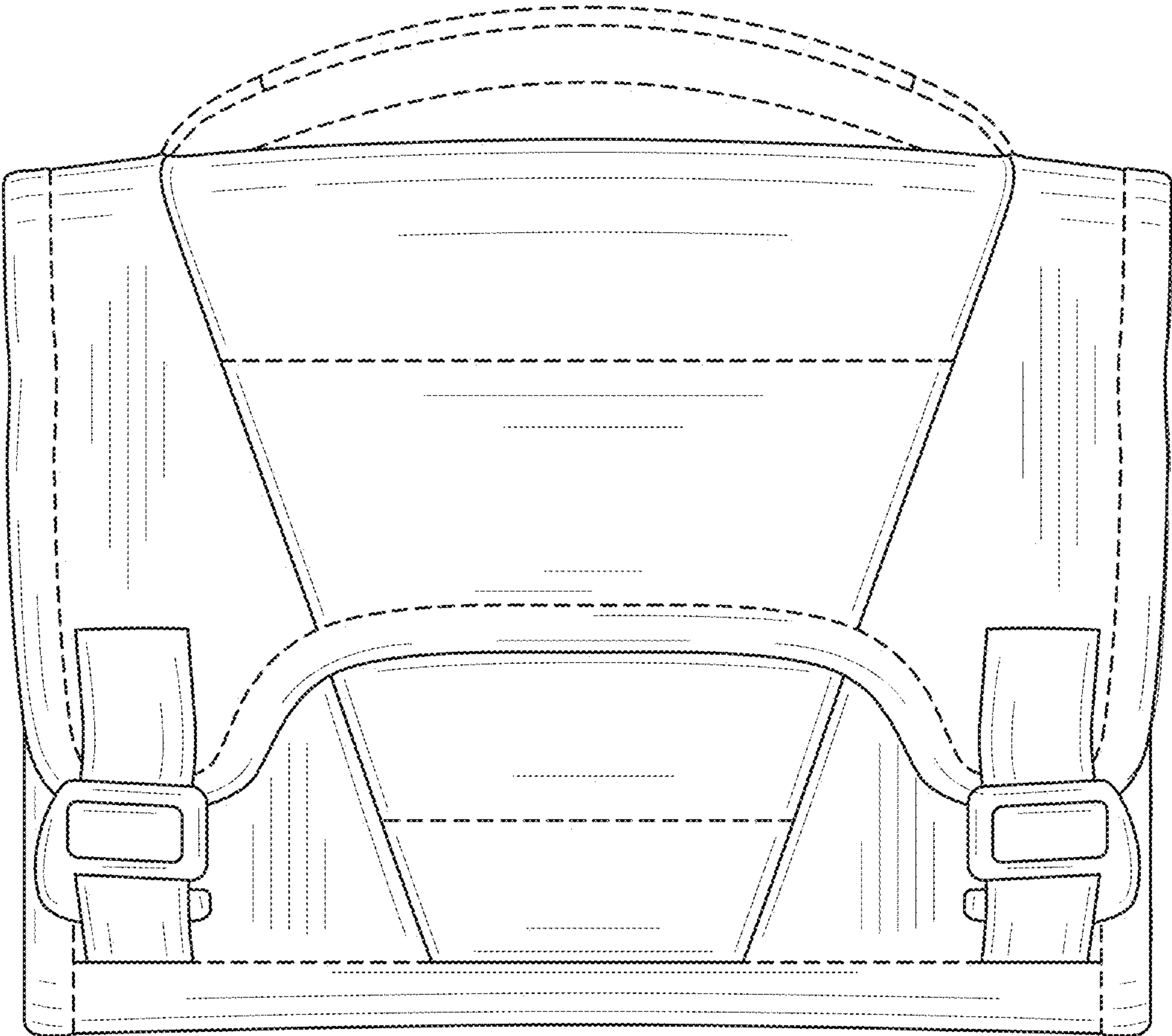


FIG. 1

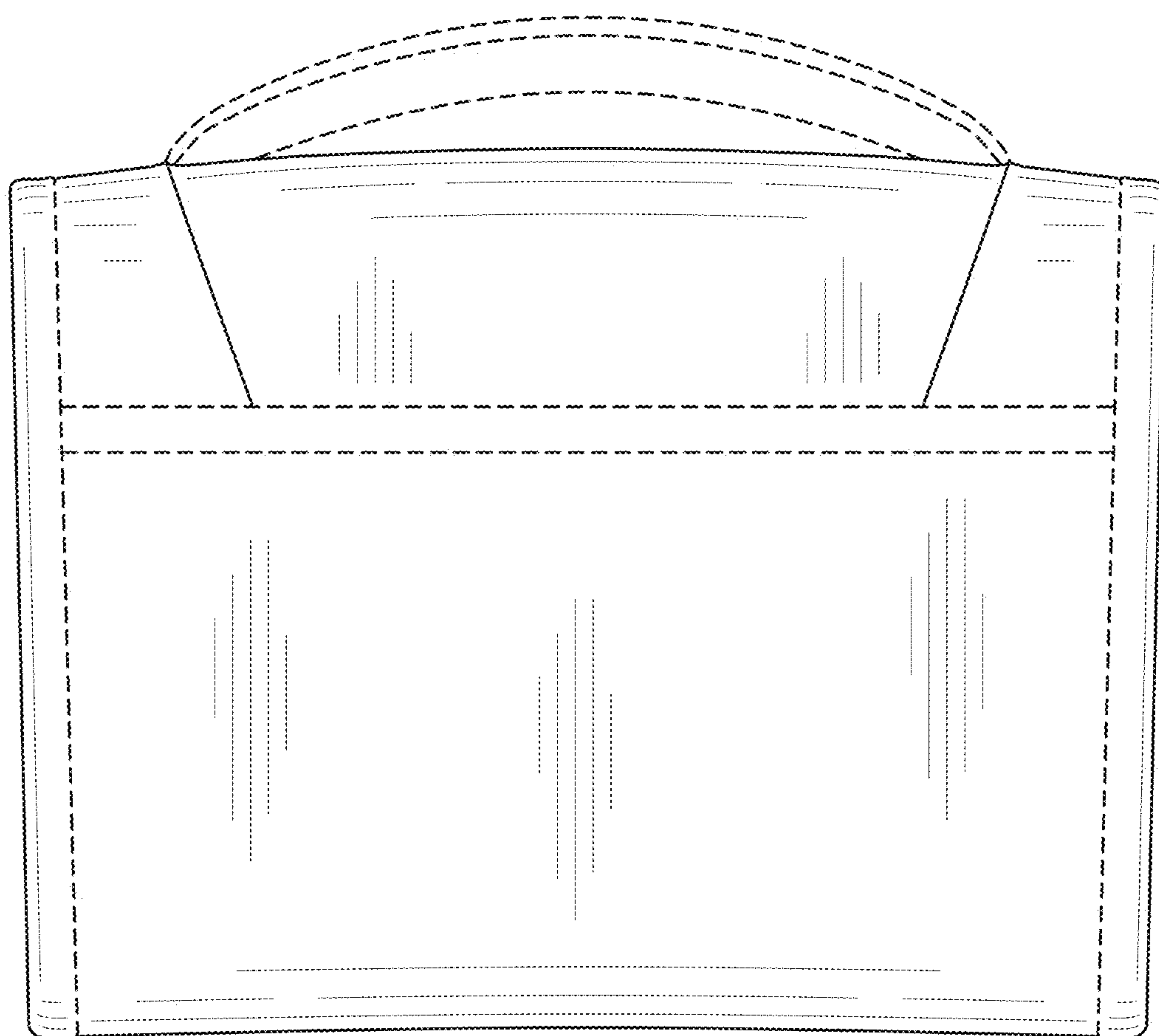


FIG. 2

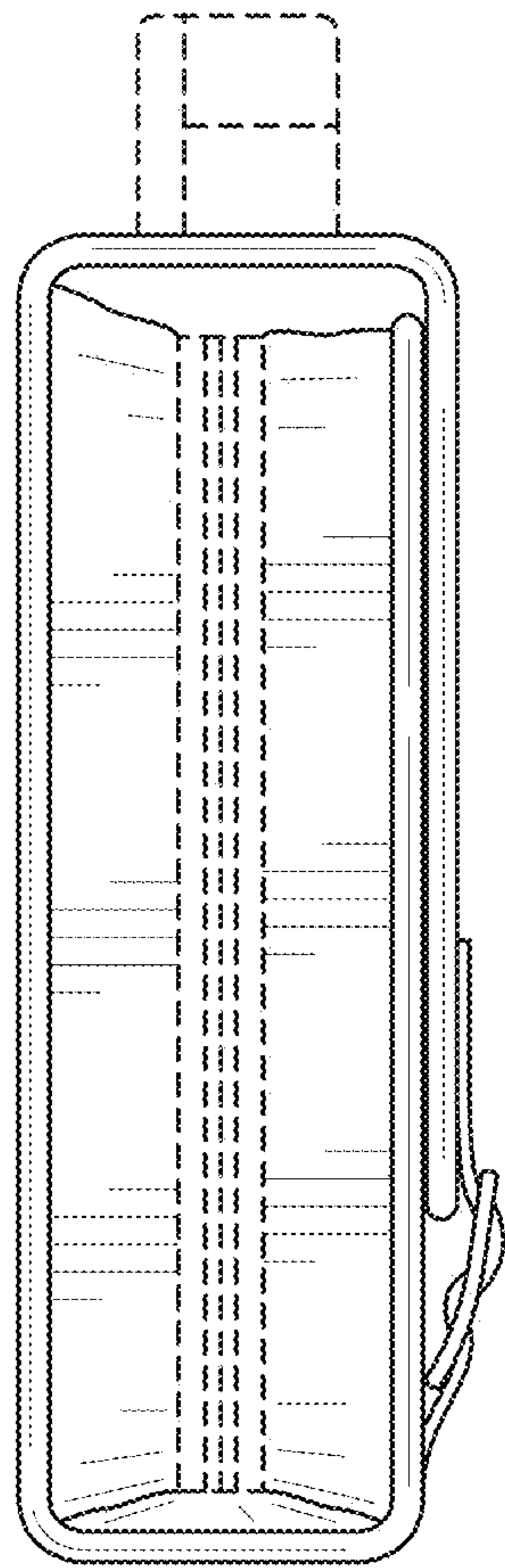


FIG. 3

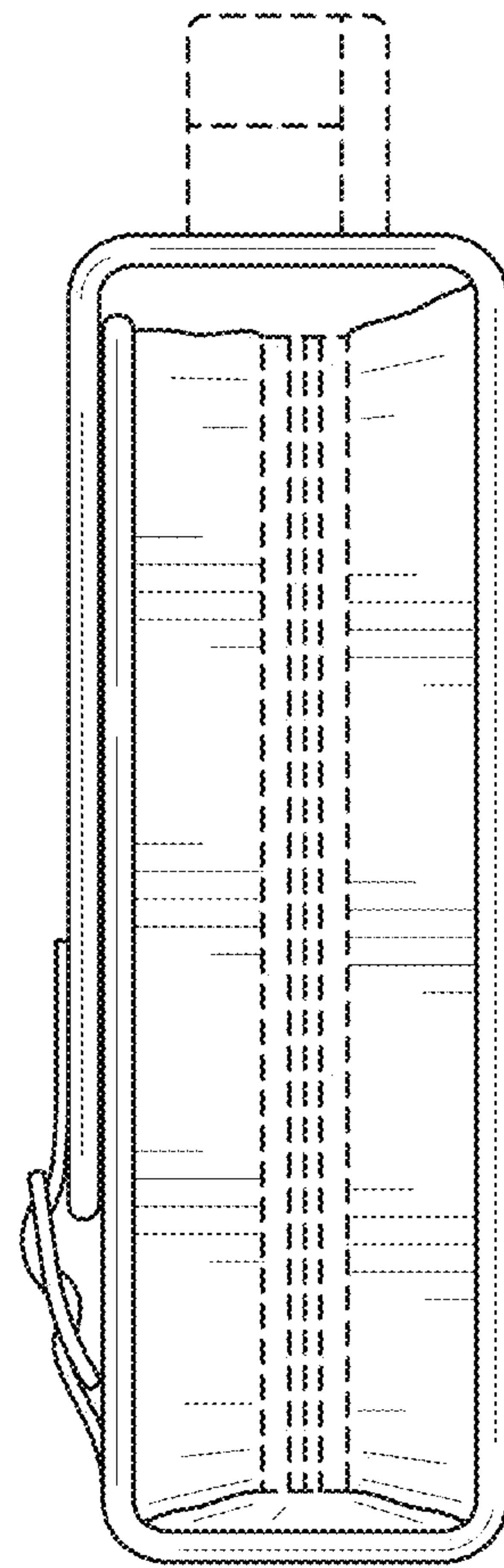


FIG. 4

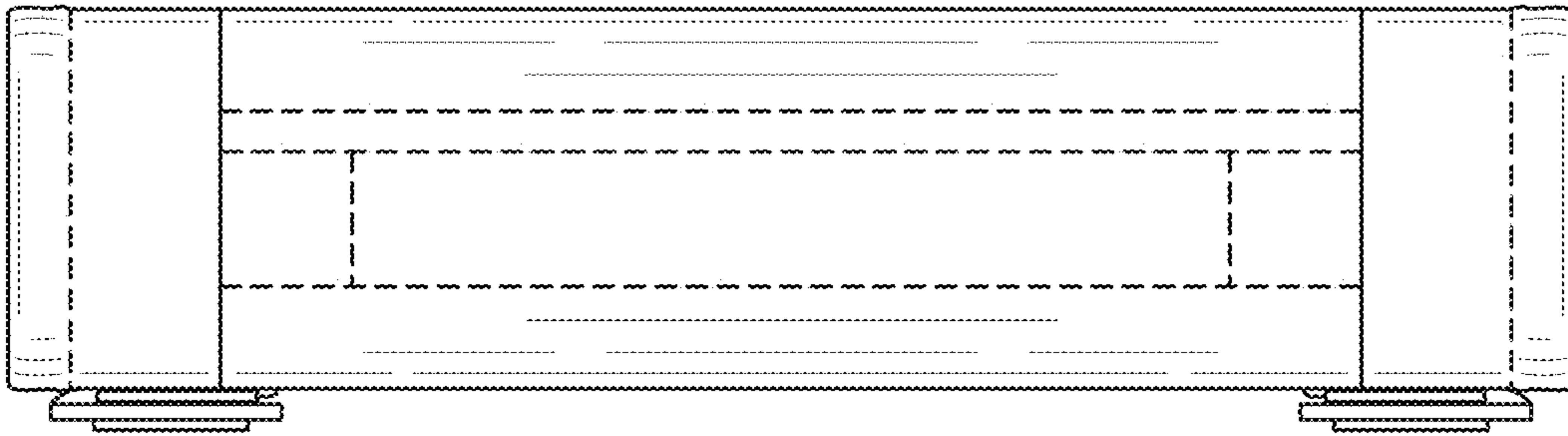


FIG. 5

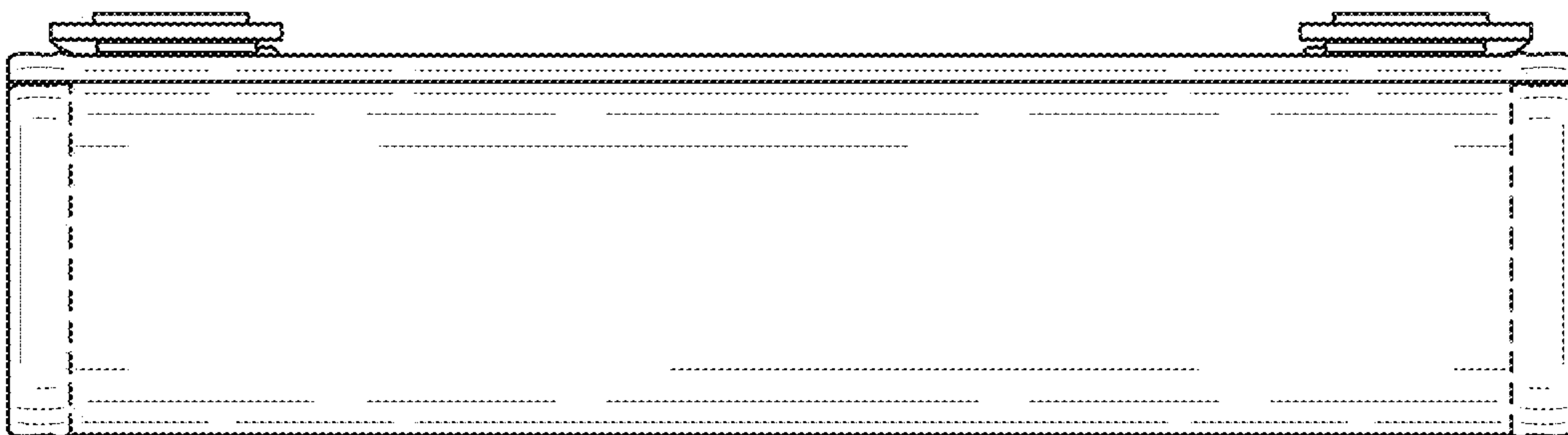


FIG. 6



FIG. 7

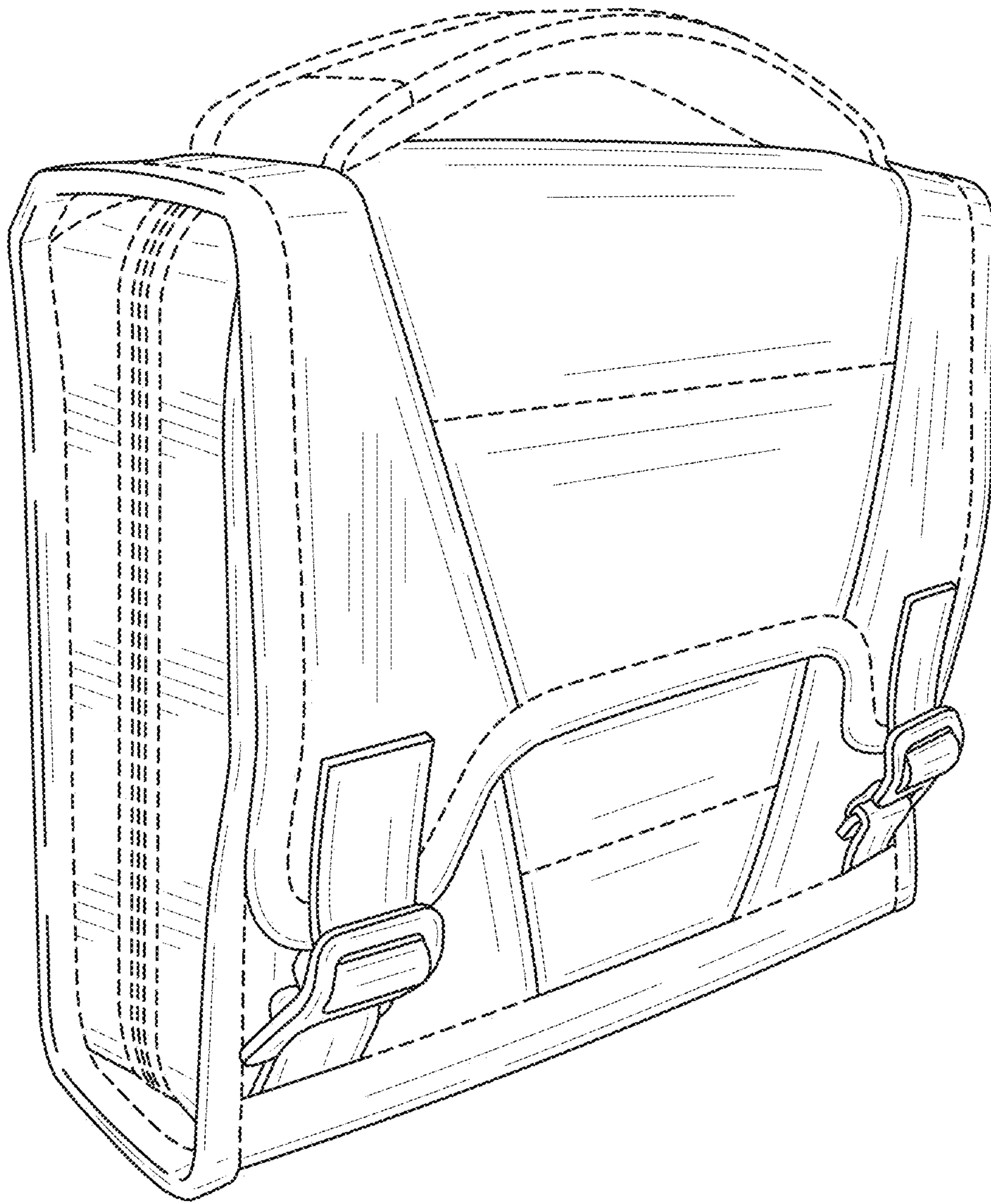


FIG. 8

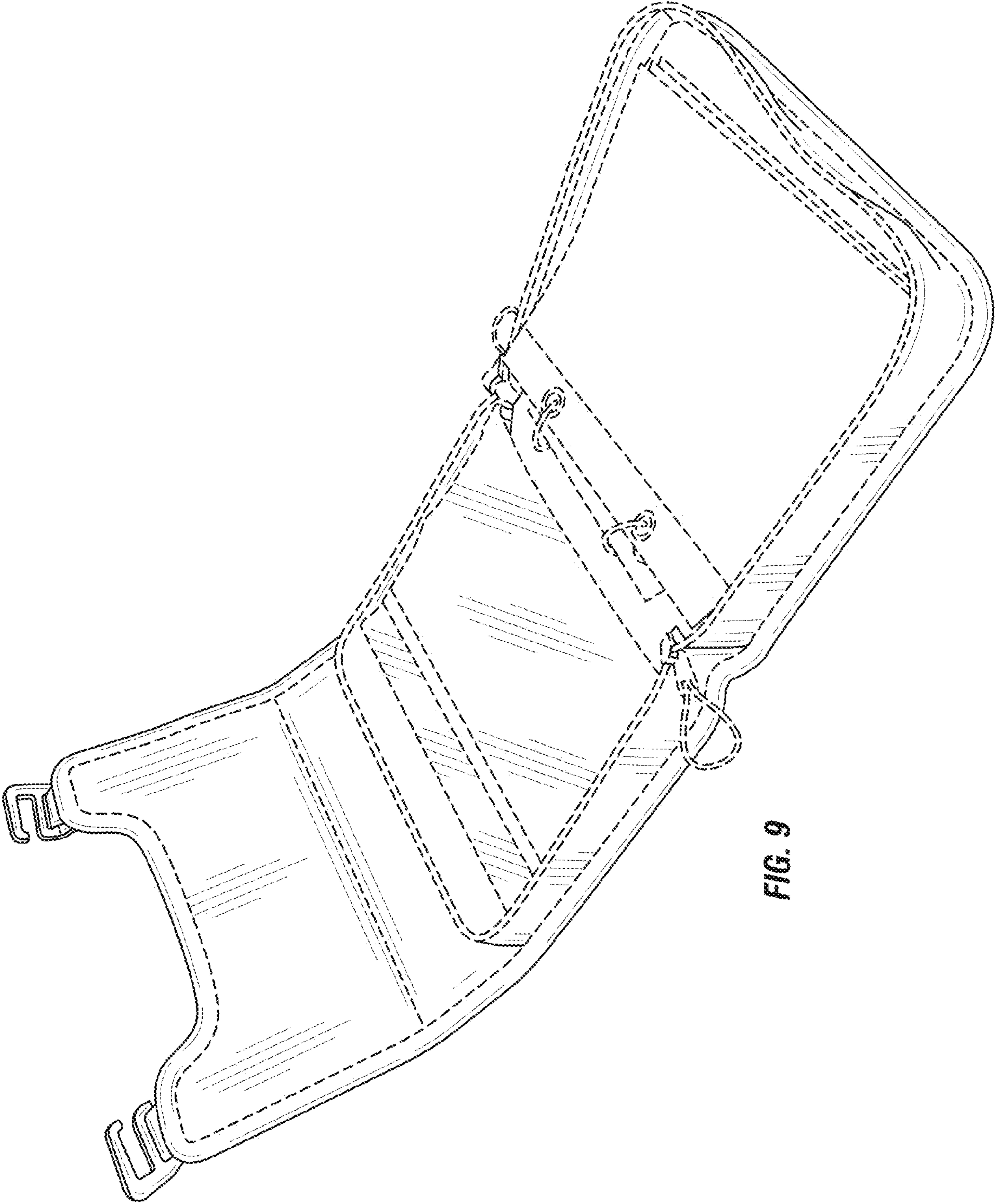


FIG. 9