



US00D944007S

(12) **United States Design Patent** (10) **Patent No.:** **US D944,007 S**
Mansur et al. (45) **Date of Patent:** **** Feb. 22, 2022**

(54) **HANDBAG**
(71) Applicant: **Mansur Gavriel LLC**, New York, NY (US)
(72) Inventors: **Rachel Mansur**, New York, NY (US); **Floriana Gavriel**, New York, NY (US)
(73) Assignee: **Mansur Gavriel LLC**, New York, NY (US)

D767,886 S * 10/2016 Lagerfeld D3/245
D770,174 S * 11/2016 Smith, Sr. D3/232
D784,011 S * 4/2017 Nair D3/245
D820,591 S * 6/2018 Nair D3/244
D835,407 S * 12/2018 Philo D3/244
D847,501 S * 5/2019 Carter D3/245

(Continued)

FOREIGN PATENT DOCUMENTS

CN 201930744291.9 * 10/2020

OTHER PUBLICATIONS

“Mansur Gavriel’s New Zip Bucket Bag is About To Become a Minimalist Favorite”, first available Aug. 19, 2020, hypebae.com, site visited Aug. 16, 2021: <https://hypebae.com/2020/8/mansur-gavriel-zip-bucket-bag-lookbook-release-price-colors> (Year: 2020).*

Primary Examiner — Jennifer L Watkins
Assistant Examiner — Samantha Lynne Brodowski
(74) *Attorney, Agent, or Firm* — Kelley Drye & Warren LLP

(**) Term: **15 Years**
(21) Appl. No.: **29/715,476**
(22) Filed: **Dec. 2, 2019**
(51) **LOC (13) Cl.** **03-01**
(52) **U.S. Cl.**
USPC **D3/246**
(58) **Field of Classification Search**
USPC D3/232–234, 238, 242–246; D2/866, D2/872, 882
CPC A42B 1/206; A42B 1/006; A45C 11/02; A45C 3/06
See application file for complete search history.

(57) **CLAIM**

The ornamental design for a handbag, as shown and described.

(56) **References Cited**

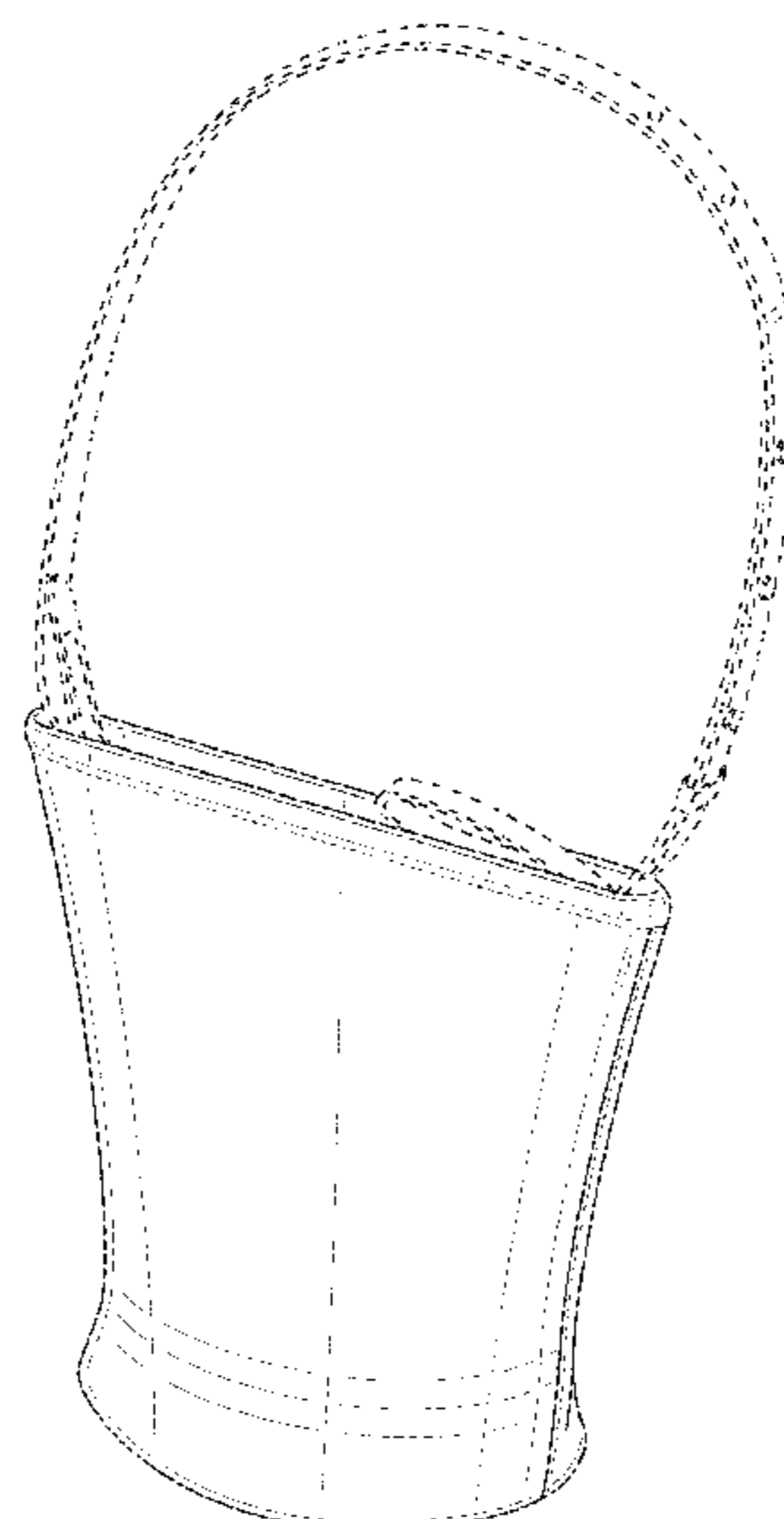
U.S. PATENT DOCUMENTS

2,437,382 A * 3/1948 Czap A45C 3/06
150/105
D151,858 S * 11/1948 Rath D3/242
D167,586 S * 8/1952 Pichel D3/243
D380,609 S * 7/1997 Formby D3/232
D439,041 S * 3/2001 Guyon D3/245
D493,614 S * 8/2004 Peng D3/246
D582,151 S * 12/2008 Gonzalez D3/232
D583,551 S * 12/2008 Stulman D3/232
D598,648 S * 8/2009 Stulman D3/232
D609,903 S * 2/2010 Brinegar D3/232
D624,751 S * 10/2010 McLeod D3/244
D671,739 S * 12/2012 Vilinsky D3/232
D756,112 S * 5/2016 Slimane D3/232
D767,272 S * 9/2016 Gibson D3/244

DESCRIPTION

FIG. 1 is a perspective view of a handbag;
FIG. 2 is a front view thereof;
FIG. 3 is a rear view thereof;
FIG. 4 is a left side view thereof;
FIG. 5 is a right side view thereof;
FIG. 6 is a top view thereof; and,
FIG. 7 is a bottom view thereof.
The short evenly dashed broken lines on claimed surfaces depict stitching and form no part of the claimed design. The long evenly dashed broken lines depict portions of the article and form no part of the claimed design.

1 Claim, 7 Drawing Sheets



(56)

References Cited

U.S. PATENT DOCUMENTS

D851,924 S * 6/2019 Dumas D3/232
D871,063 S * 12/2019 Morgan D3/245
2009/0050502 A1* 2/2009 Garson D04B 3/06
206/388
2012/0267017 A1* 10/2012 Sloan A45F 3/04
150/103
2019/0183217 A1* 6/2019 Axelbaum A45F 3/02

* cited by examiner

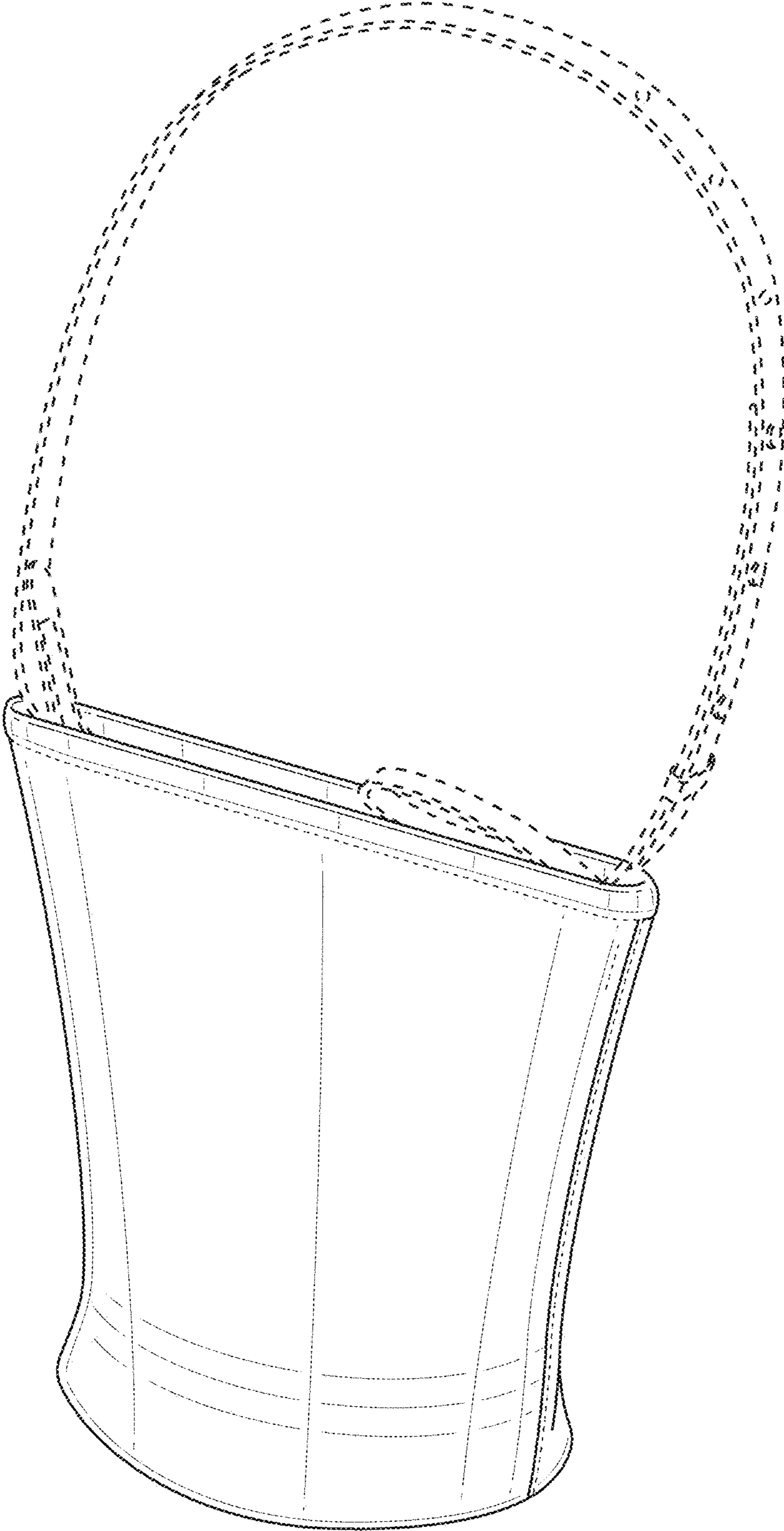


FIG. 1

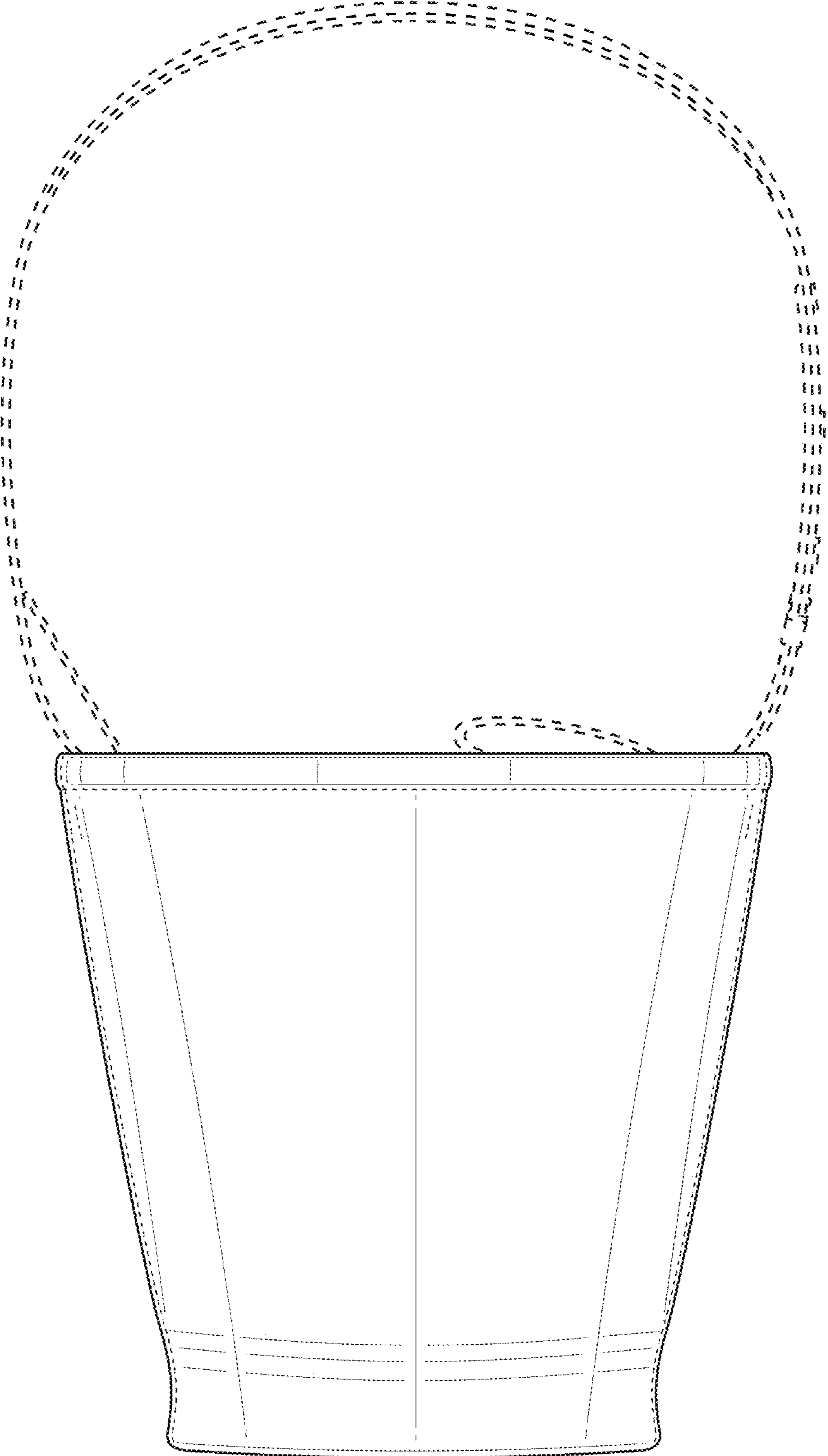


FIG. 2

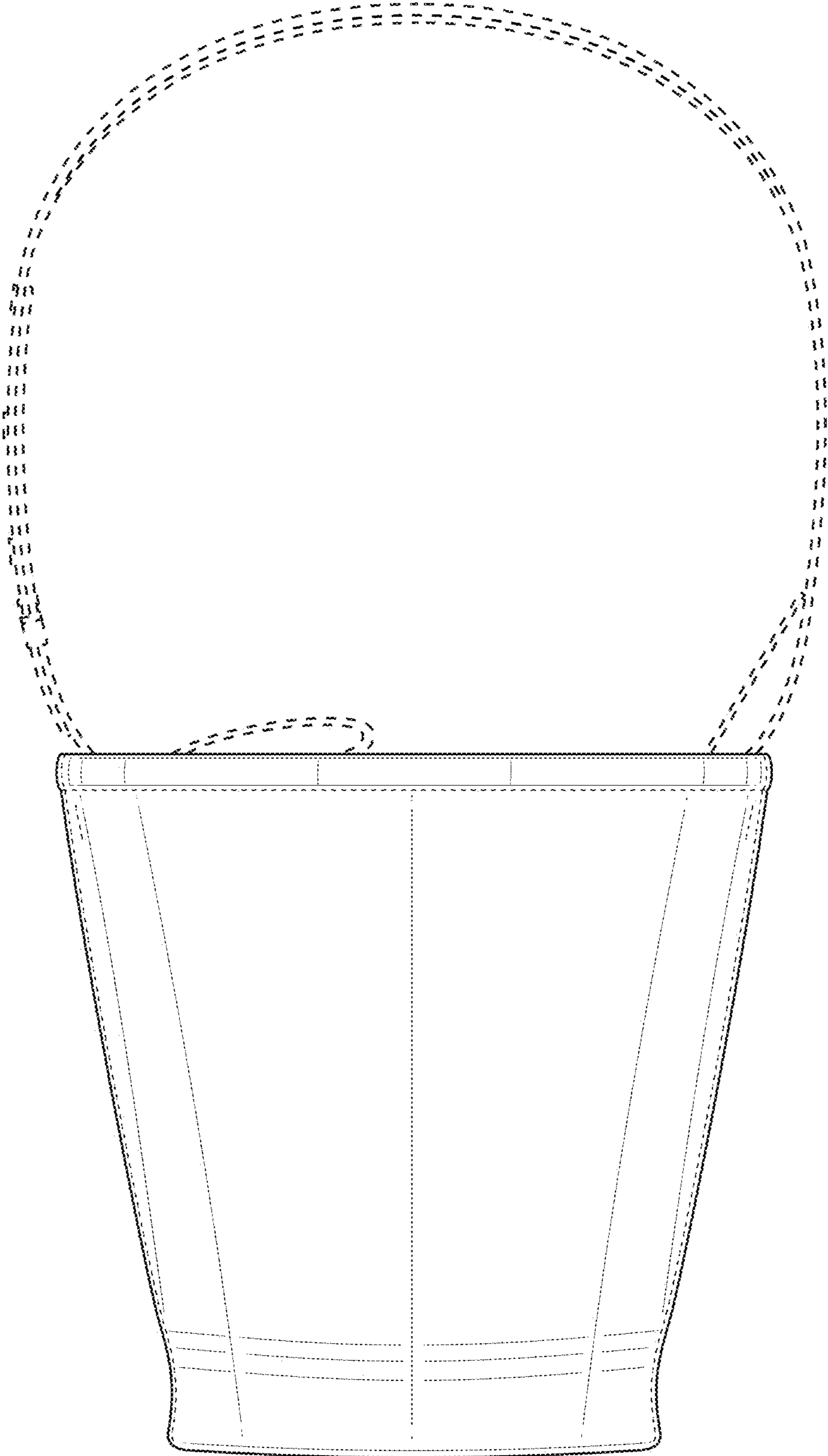


FIG. 3

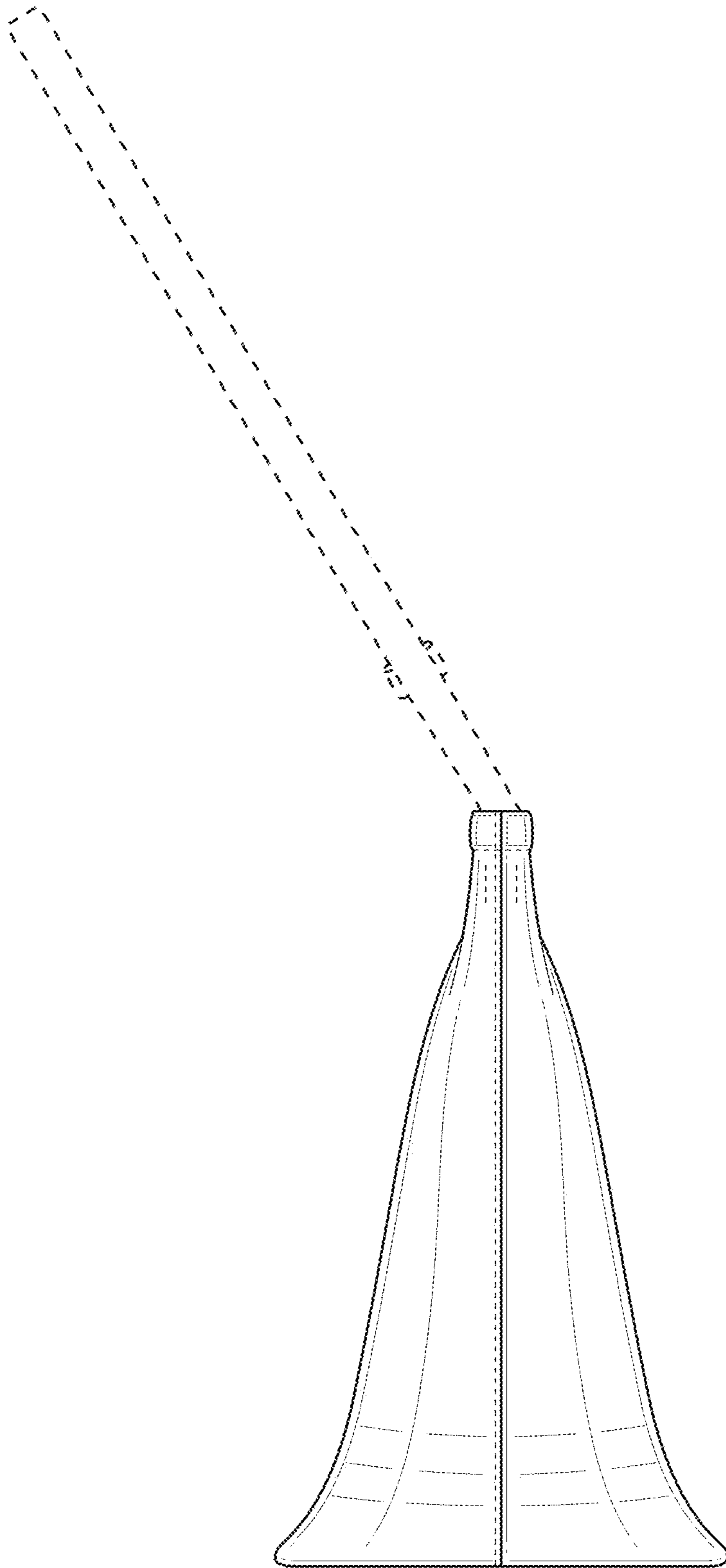


FIG. 4

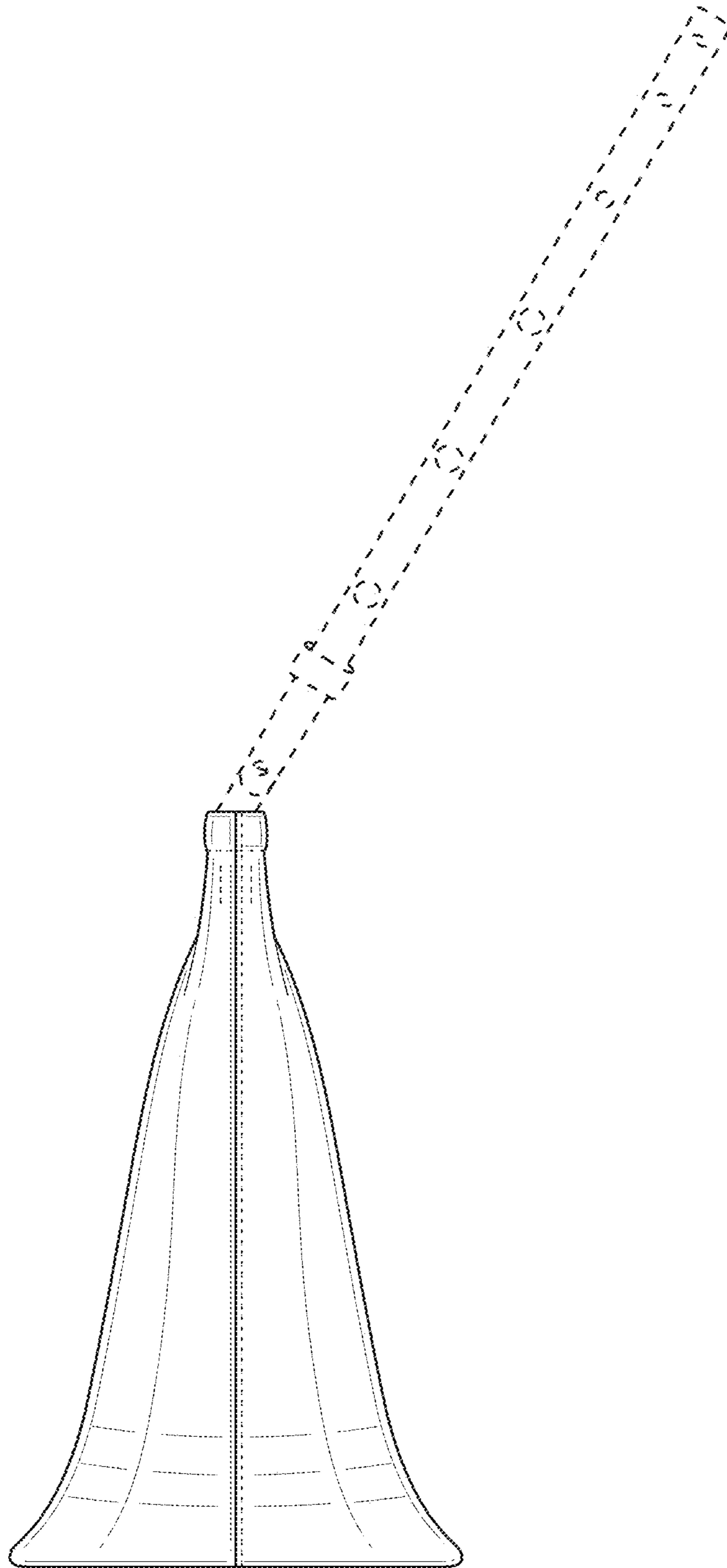


FIG. 5

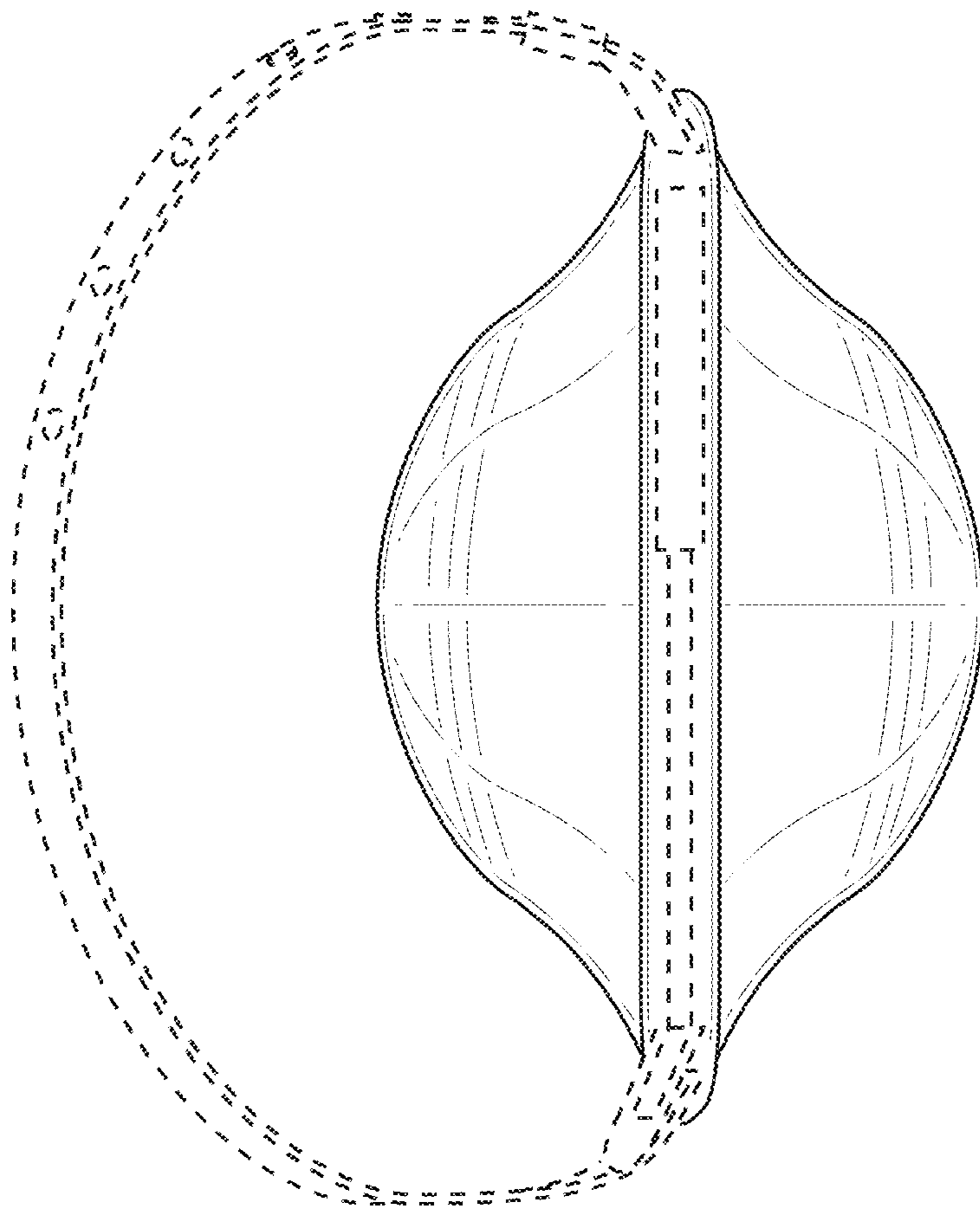


FIG. 6

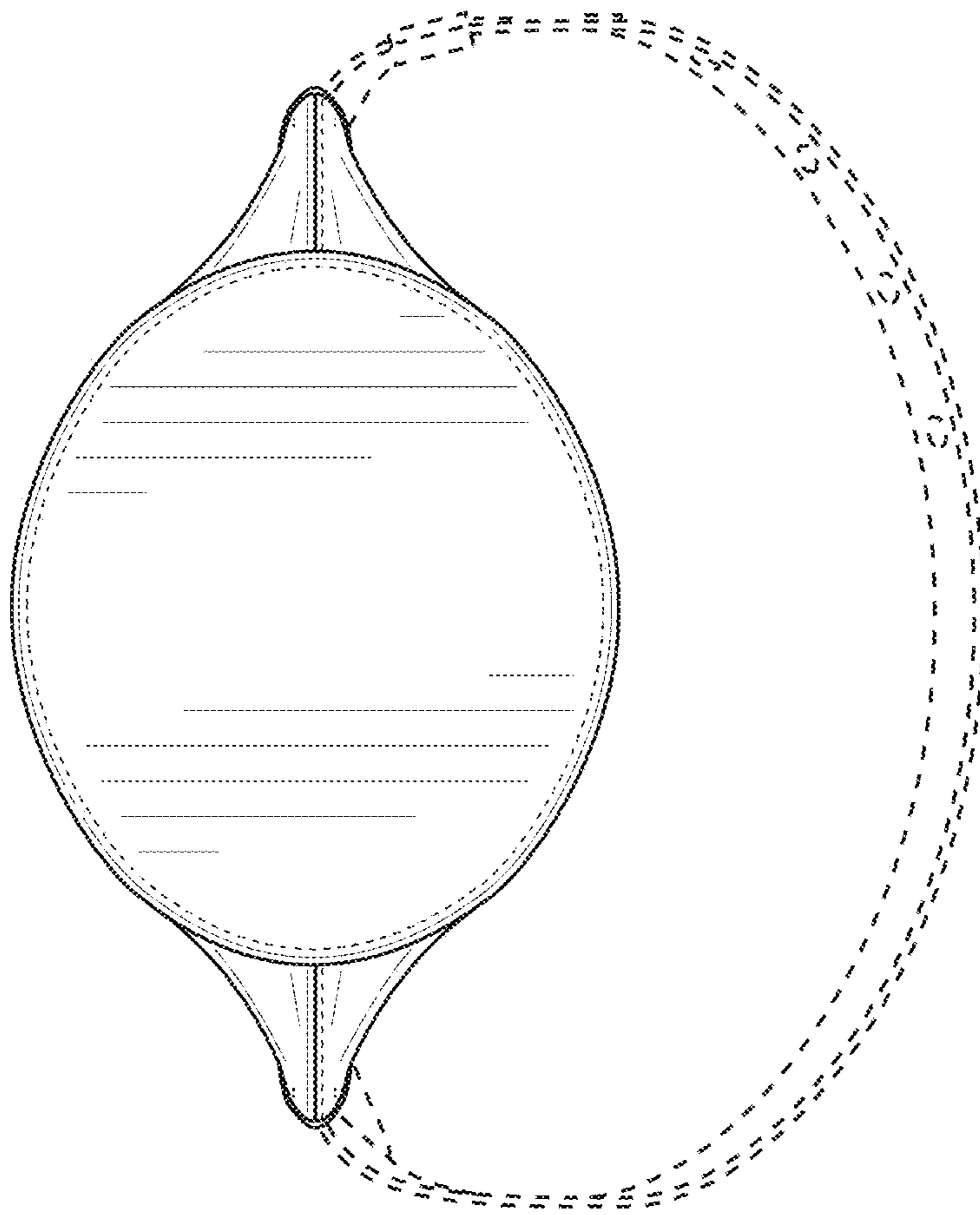


FIG. 7