



US00D944003S

(12) **United States Design Patent**
Mitchell

(10) **Patent No.:** **US D944,003 S**

(45) **Date of Patent:** **** *Feb. 22, 2022**

(54) **NECK STRESS PREVENTER FOR USE
WHEN MOBILE DEVICE TEXTING**

(71) Applicant: **Jimmy Earl Mitchell**, Austin, TX (US)

(72) Inventor: **Jimmy Earl Mitchell**, Austin, TX (US)

(*) Notice: This patent is subject to a terminal disclaimer.

(**) Term: **15 Years**

(21) Appl. No.: **29/636,348**

(22) Filed: **Feb. 7, 2018**

(51) **LOC (13) Cl.** **03-01**

(52) **U.S. Cl.**
USPC **D3/215**

(58) **Field of Classification Search**
USPC D3/215, 228, 327; 248/444; 224/249,
224/256-257, 270, 272, 325, 605, 623,
224/625, 677
CPC . A45F 3/10; A45F 5/00; A47B 23/002; A47F
3/00; A47F 3/14; B60R 11/02; F16M
13/00
See application file for complete search history.

(56) **References Cited**

U.S. PATENT DOCUMENTS

607,496 A * 7/1898 Watson A47B 23/002
248/444
D388,246 S * 12/1997 Patterson D3/204
D427,765 S * 7/2000 Porter D3/215

8,267,294 B2 * 9/2012 Yu A45F 5/00
224/623
D697,708 S * 1/2014 Denzer D3/215
9,004,330 B2 * 4/2015 White A45F 5/00
224/257
2009/0272779 A1 * 11/2009 Vu A45F 5/00
224/677
2011/0297711 A1 * 12/2011 Yu A45F 5/00
224/272
2012/0217852 A1 * 8/2012 Yu A45F 5/00
224/264

* cited by examiner

Primary Examiner — Catherine R Oliver-Garcia

(74) *Attorney, Agent, or Firm* — Hulsey P.C.

(57) **CLAIM**

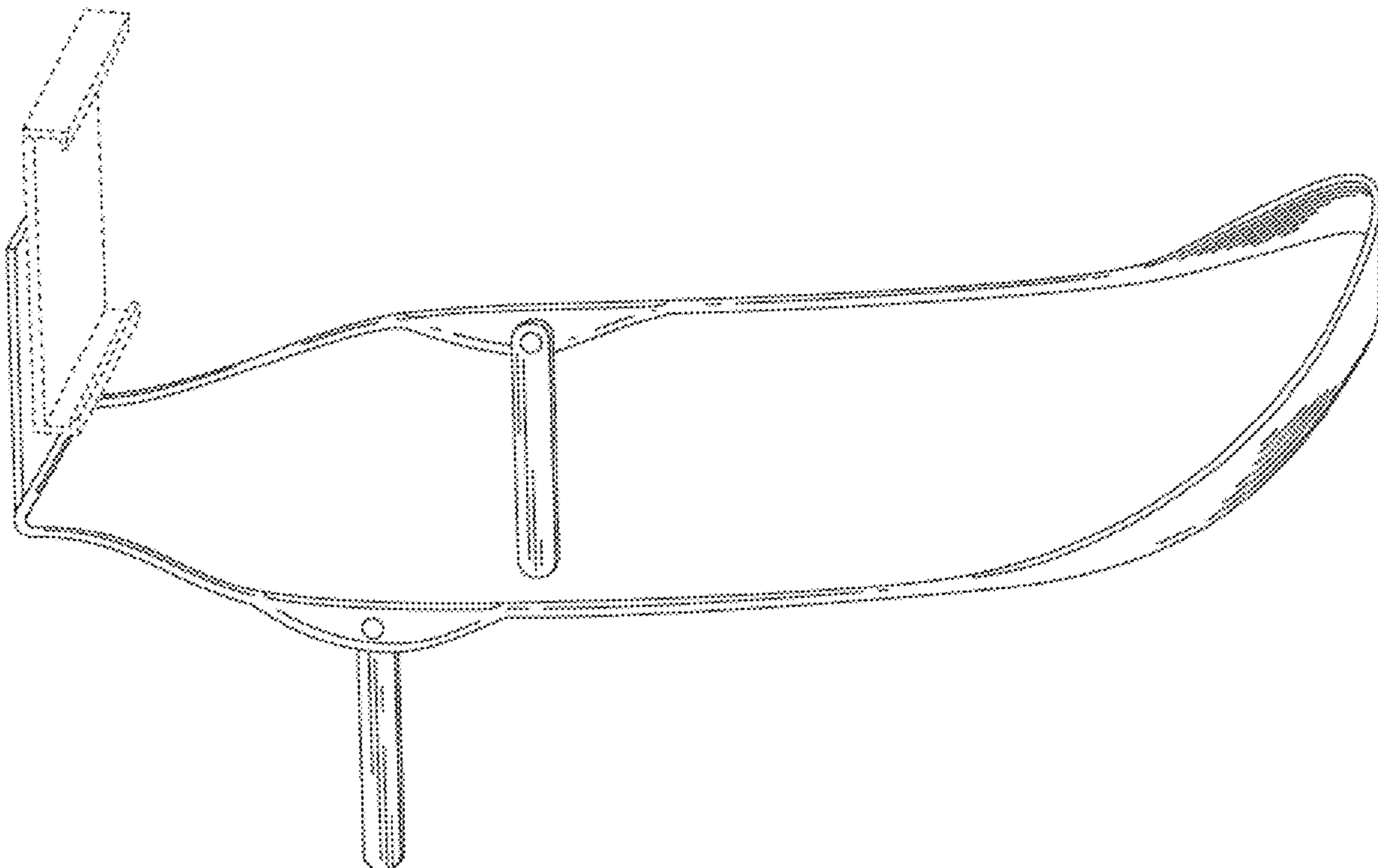
The ornamental design for a neck stress preventer for use when mobile device texting, as shown and described.

DESCRIPTION

FIG. 1 is an isometric view of a neck stress preventer for use when mobile device texting;
FIG. 2 is a front elevation view thereof;
FIG. 3 is a rear elevation view thereof;
FIG. 4 is a side elevation view thereof;
FIG. 5 is a is an opposite side view thereof;
FIG. 6 is a top plan view thereof; and,
FIG. 7 is a bottom plan view.

The broken lines depict environmental structure and are included for the purpose of illustration only and form no part of the claimed design.

1 Claim, 6 Drawing Sheets



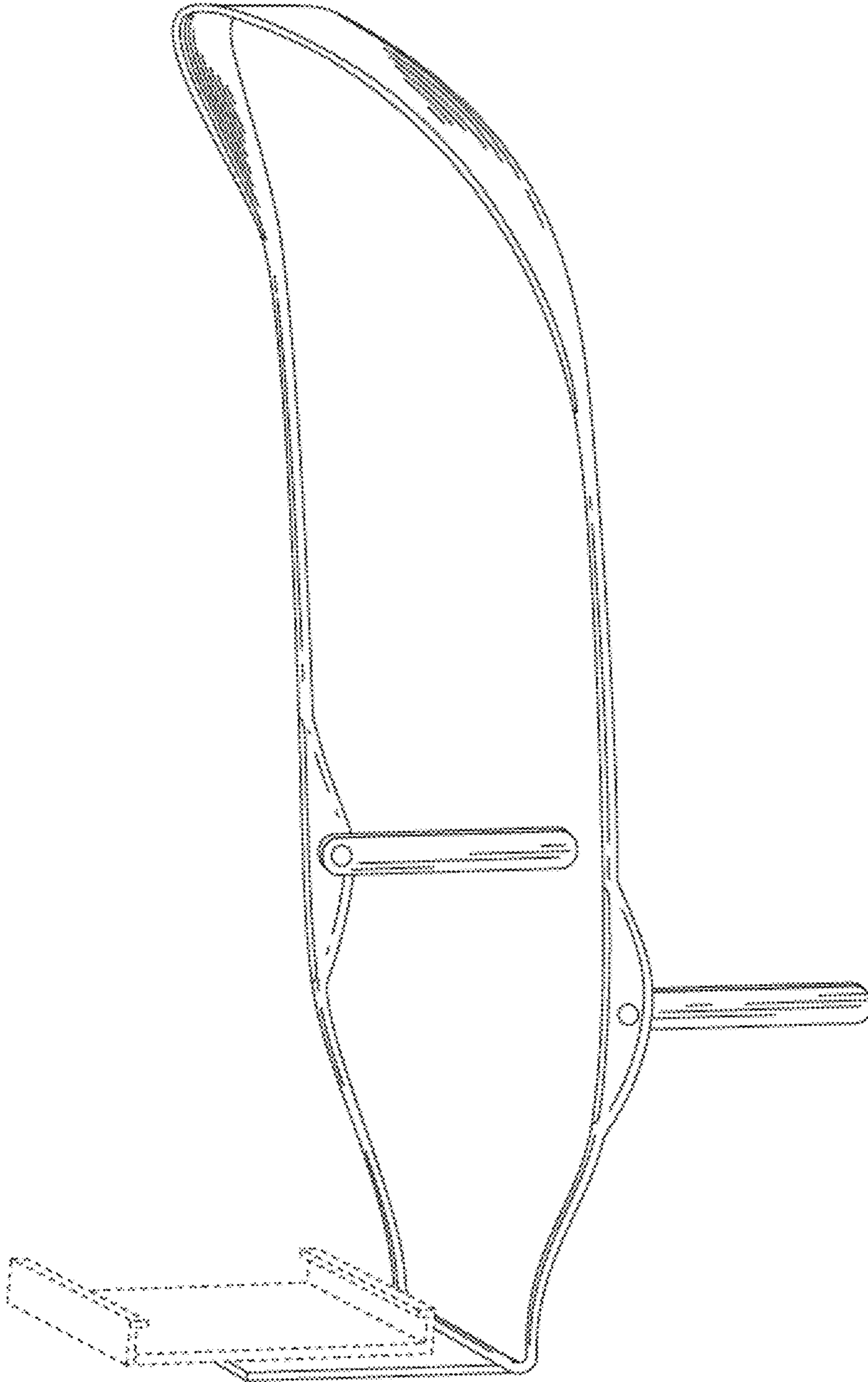


FIG. 1

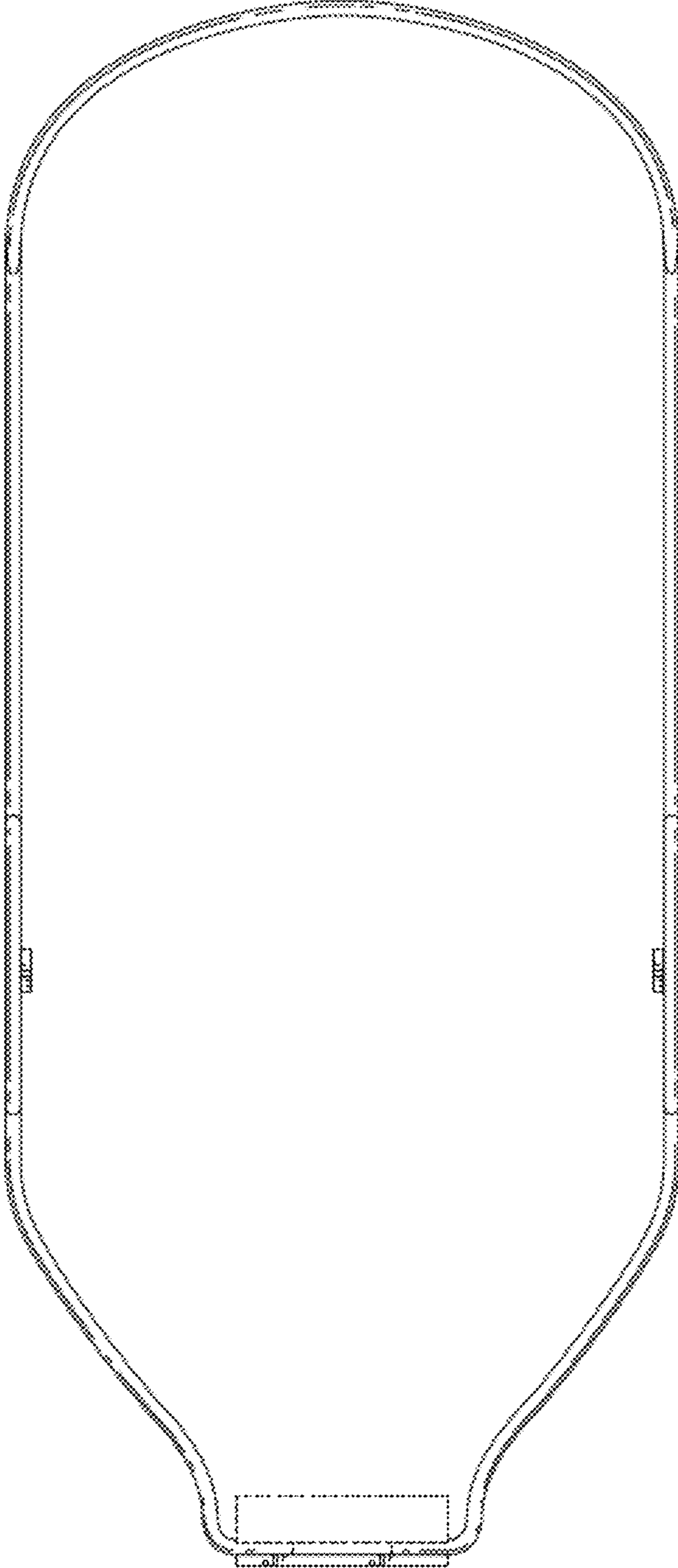


FIG. 2

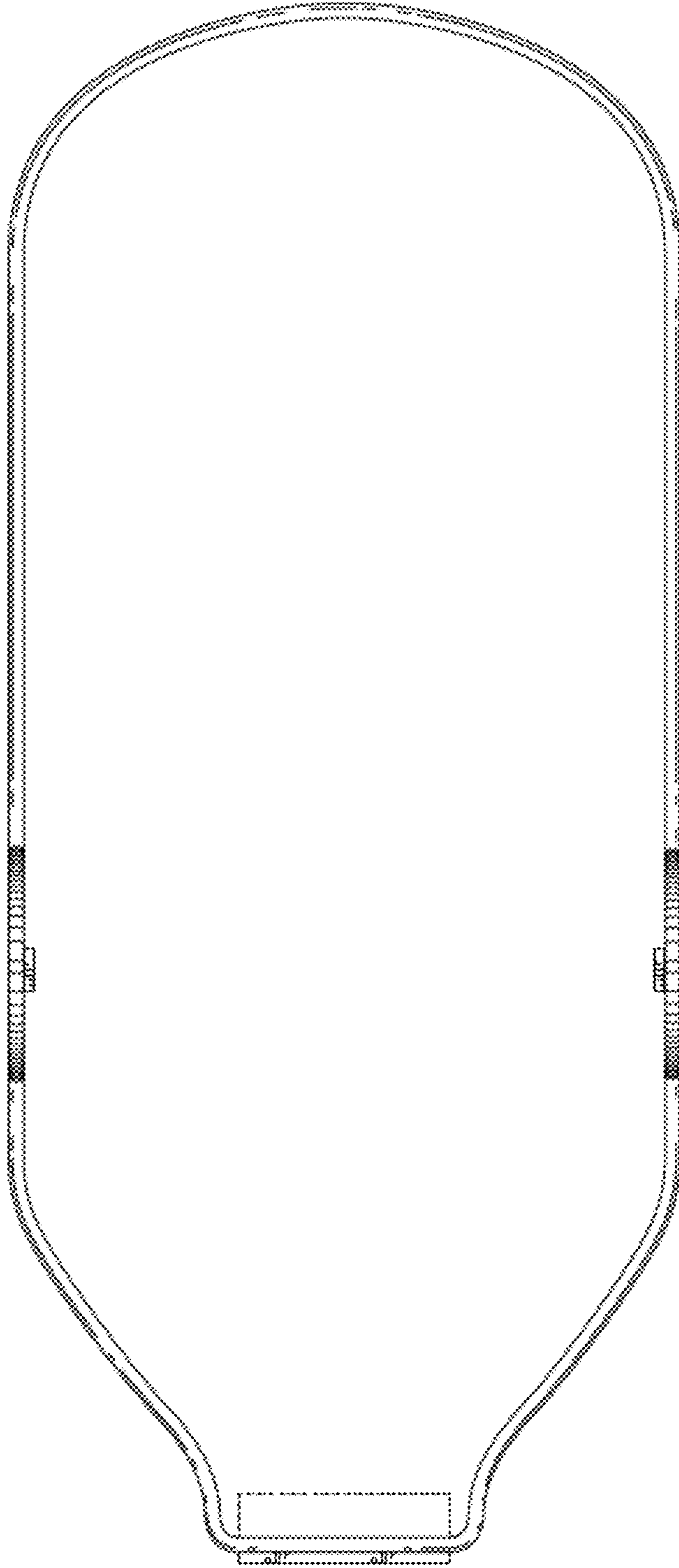


FIG. 3

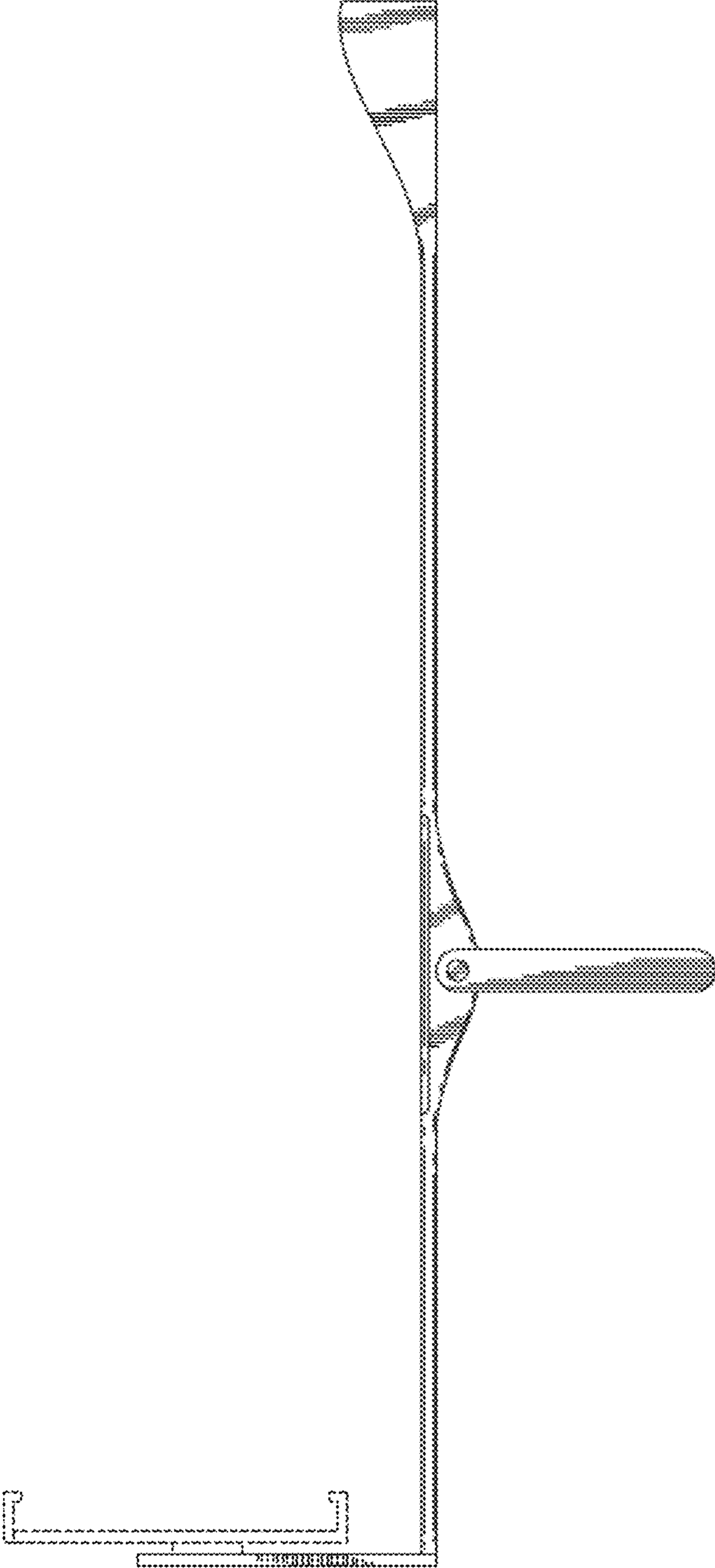


FIG. 4

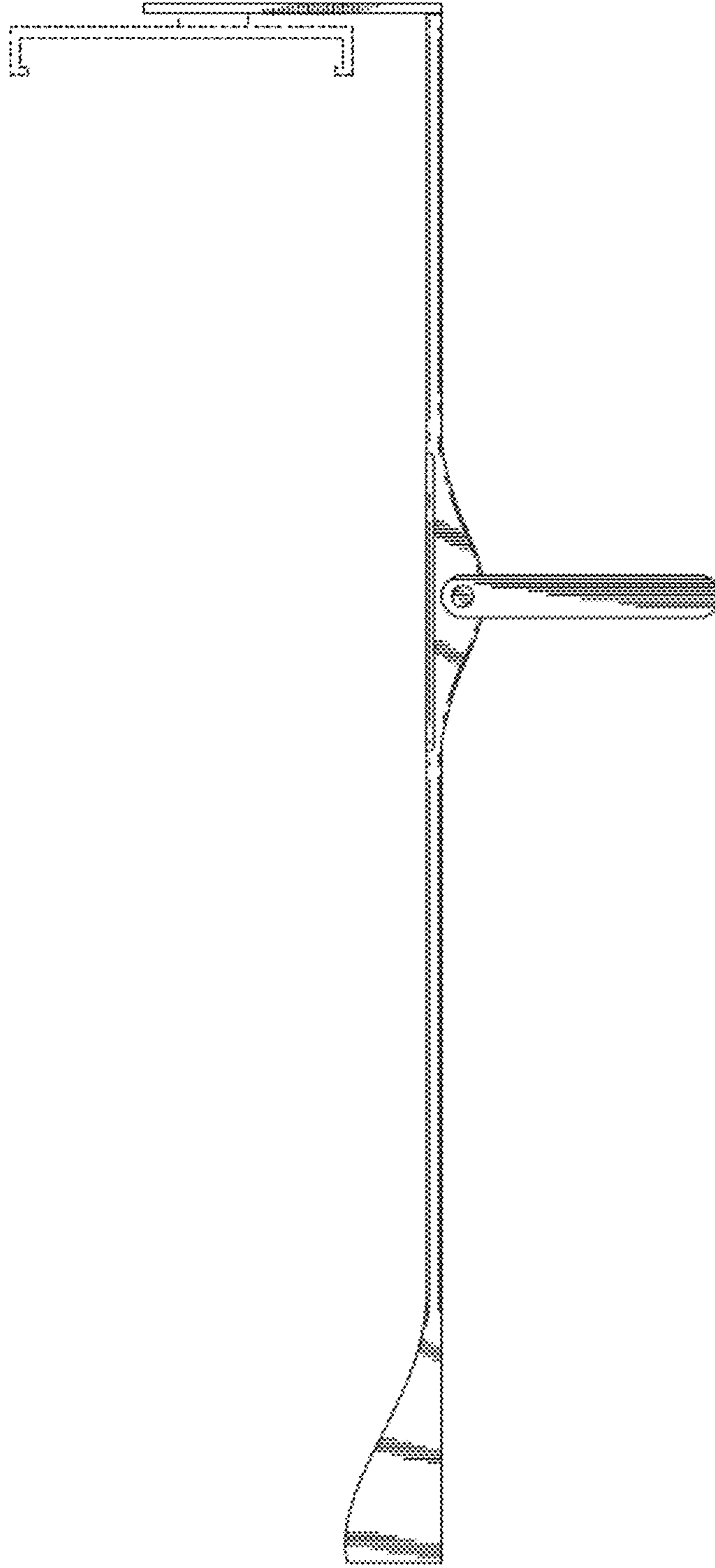


FIG. 5

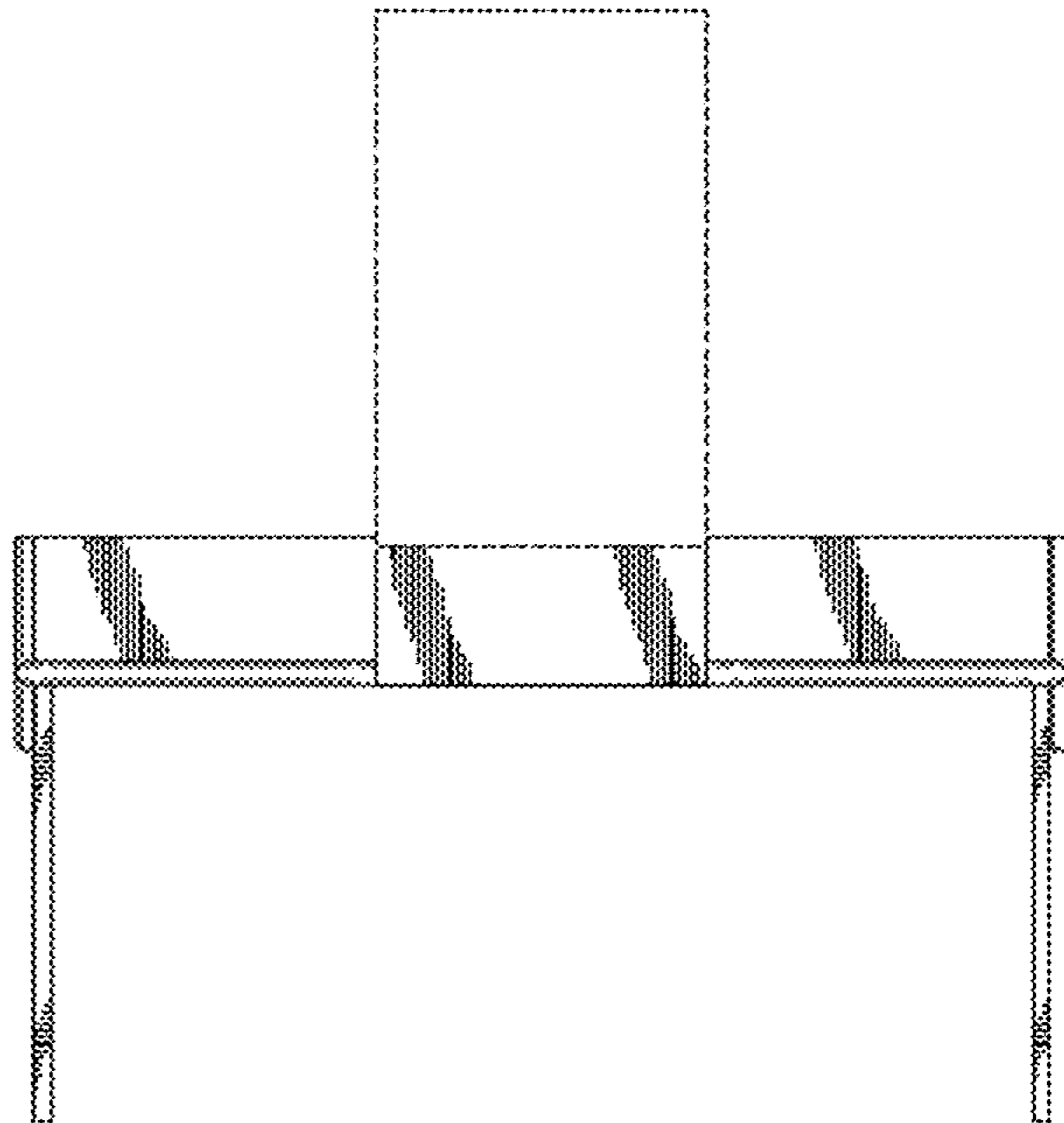


FIG. 6

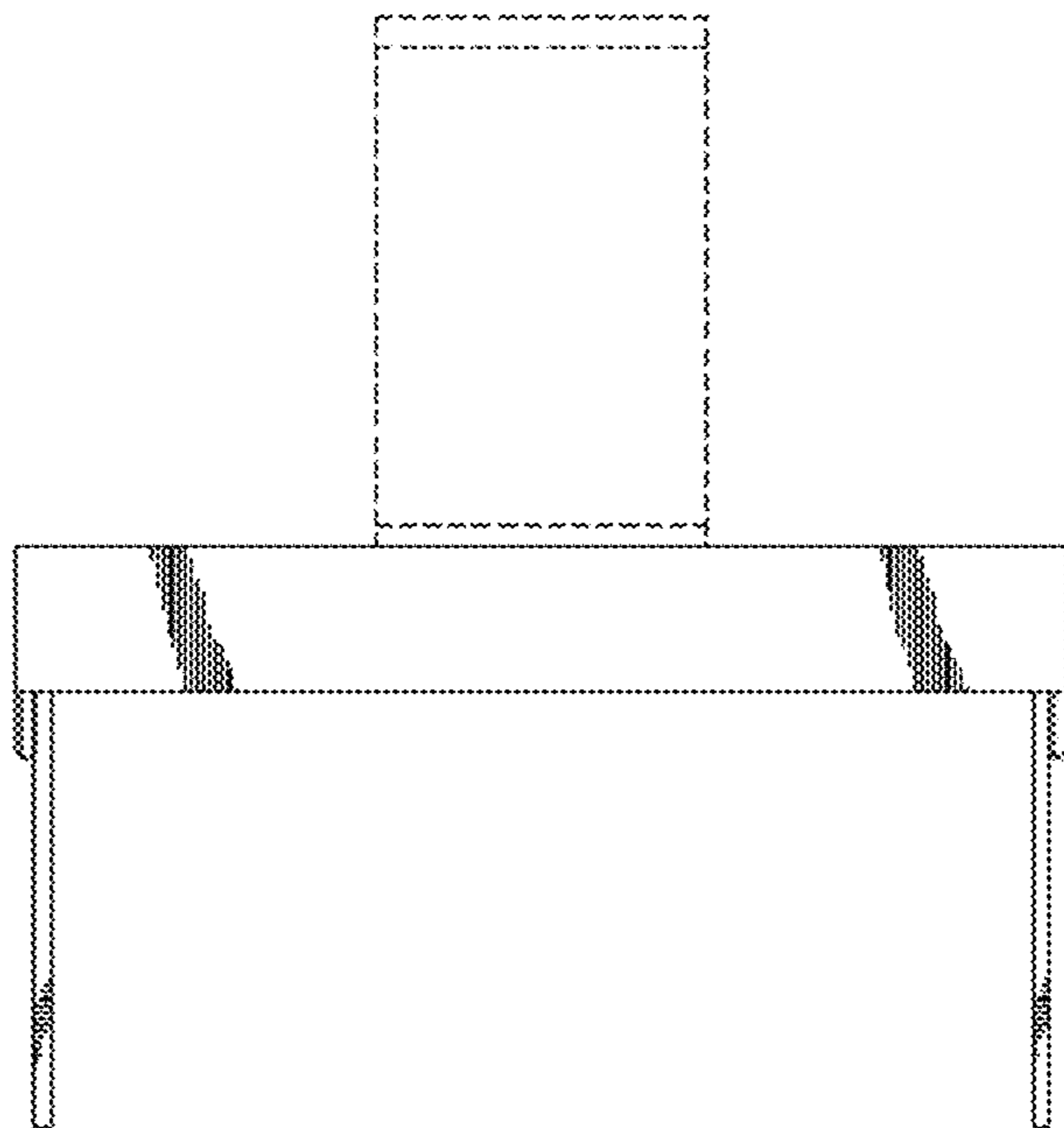


FIG. 7