



US00D944002S

(12) **United States Design Patent** (10) **Patent No.:** **US D944,002 S**
Hu (45) **Date of Patent:** **** Feb. 22, 2022**

(54) **FOLDABLE GUITAR STAND**

(71) Applicant: **Tao Hu**, Guangdong (CN)
(72) Inventor: **Tao Hu**, Guangdong (CN)
(**) Term: **15 Years**
(21) Appl. No.: **29/716,034**
(22) Filed: **Dec. 6, 2019**
(51) **LOC (13) Cl.** **03-01**
(52) **U.S. Cl.**
USPC **D3/204**
(58) **Field of Classification Search**
USPC D3/204; D6/682; 84/327, 421, 329;
211/85.6; 248/121, 443
CPC G10G 5/00
See application file for complete search history.

OTHER PUBLICATIONS

Cooperstand Ecco-G ABS Guitar Stand, announced Aug. 3, 2011 [online], [site visited Oct. 19, 2021]. Available from internet, URL: <<https://www.amazon.com/Cooperstand-ECCO-G-Ecco-G-Black/dp/B005FG34F2/>> (Year: 2011).*
PUNK Wooden Guitar Stand, announced Aug. 14, 2018 [online], [site visited Oct. 19, 2021]. Available from internet, URL: <<https://www.amazon.com/Instrument-Portable-Collapsible-Acoustic-Classical/dp/B07GGLCZWP/>> (Year: 2018).*

* cited by examiner

Primary Examiner — Kevin K Rudzinski
Assistant Examiner — Amber J Rabie

(57) **CLAIM**

The ornamental design for a foldable guitar stand, as shown.

(56) **References Cited**

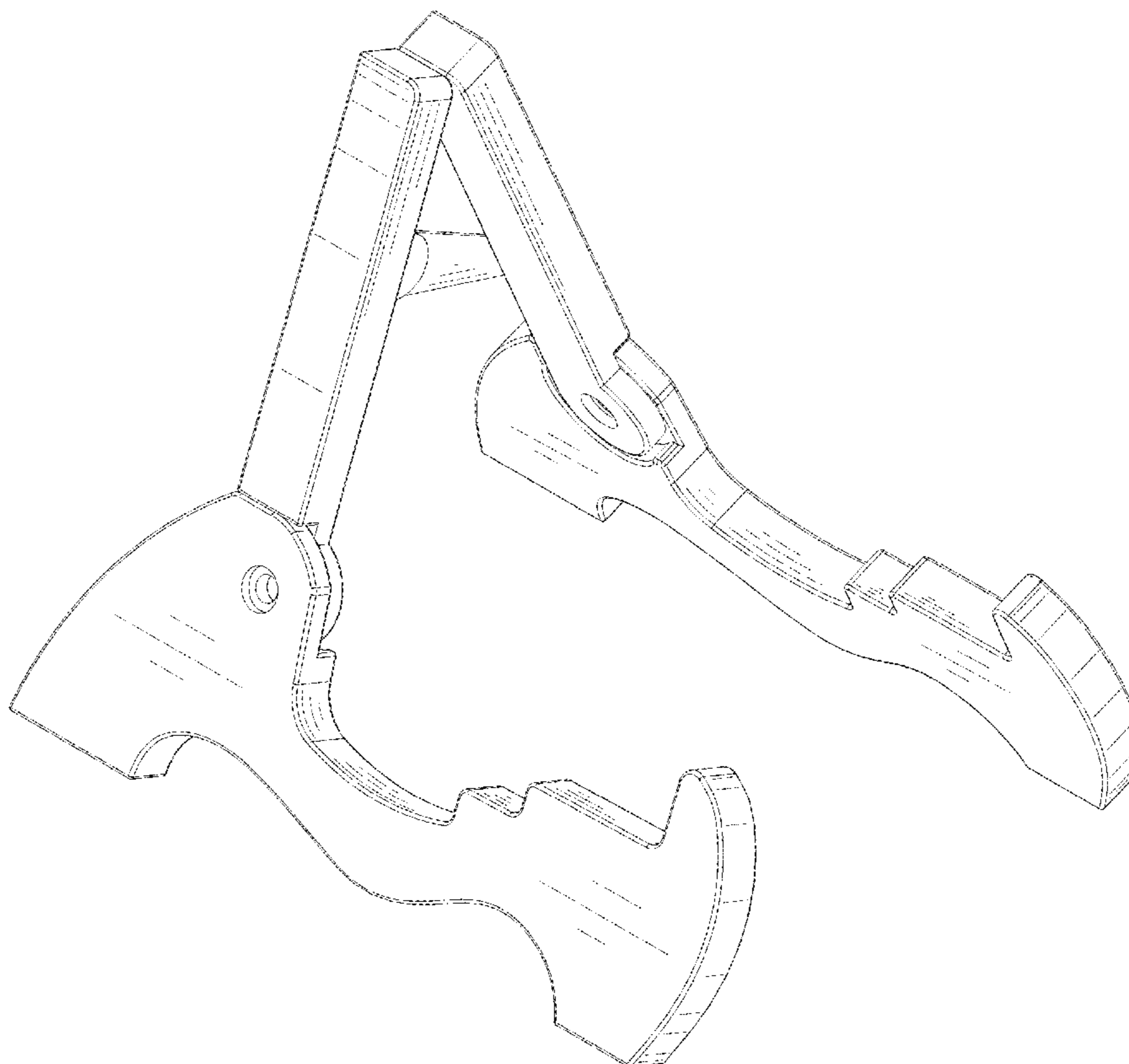
U.S. PATENT DOCUMENTS

3,057,591 A * 10/1962 Weimer G10G 5/00
248/166
D265,873 S * 8/1982 Smith D19/91
D436,465 S * 1/2001 Berkman F16M 11/38
D17/99
D557,329 S * 12/2007 Lippert D17/20
D596,875 S * 7/2009 Small D6/682
8,146,870 B1 * 4/2012 Cooper G10G 5/00
248/166
2015/0161975 A1 * 6/2015 Fan F16M 11/38
248/434

DESCRIPTION

FIG. 1 is a front elevational view of a foldable guitar stand showing my new design;
FIG. 2 is a rear elevational view thereof;
FIG. 3 is a left side view thereof;
FIG. 4 is a right side view thereof;
FIG. 5 is a top plan view thereof;
FIG. 6 is a bottom plan view thereof;
FIG. 7 is a perspective view thereof; and,
FIG. 8 is another perspective view thereof.

1 Claim, 8 Drawing Sheets



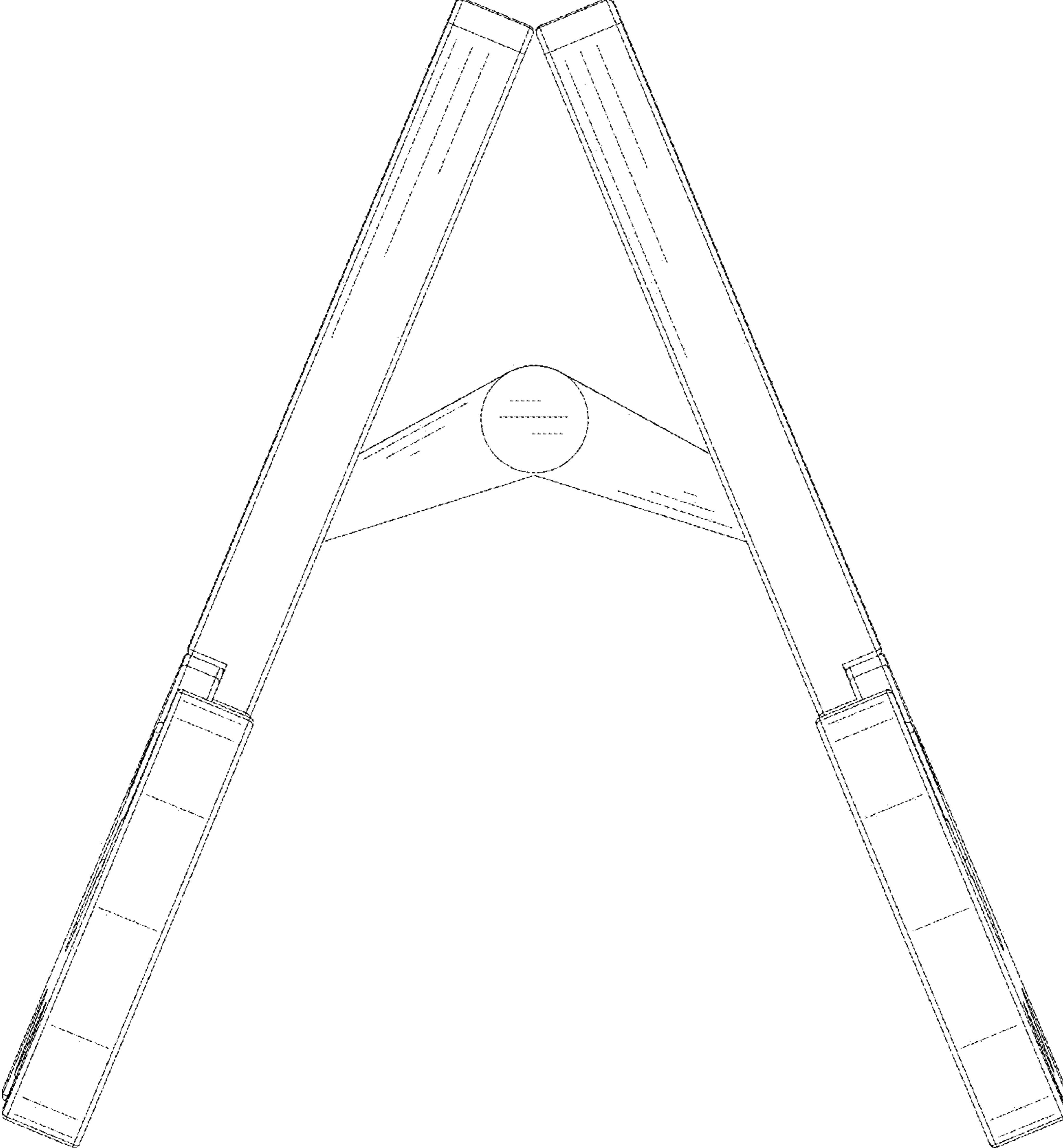


FIG.1

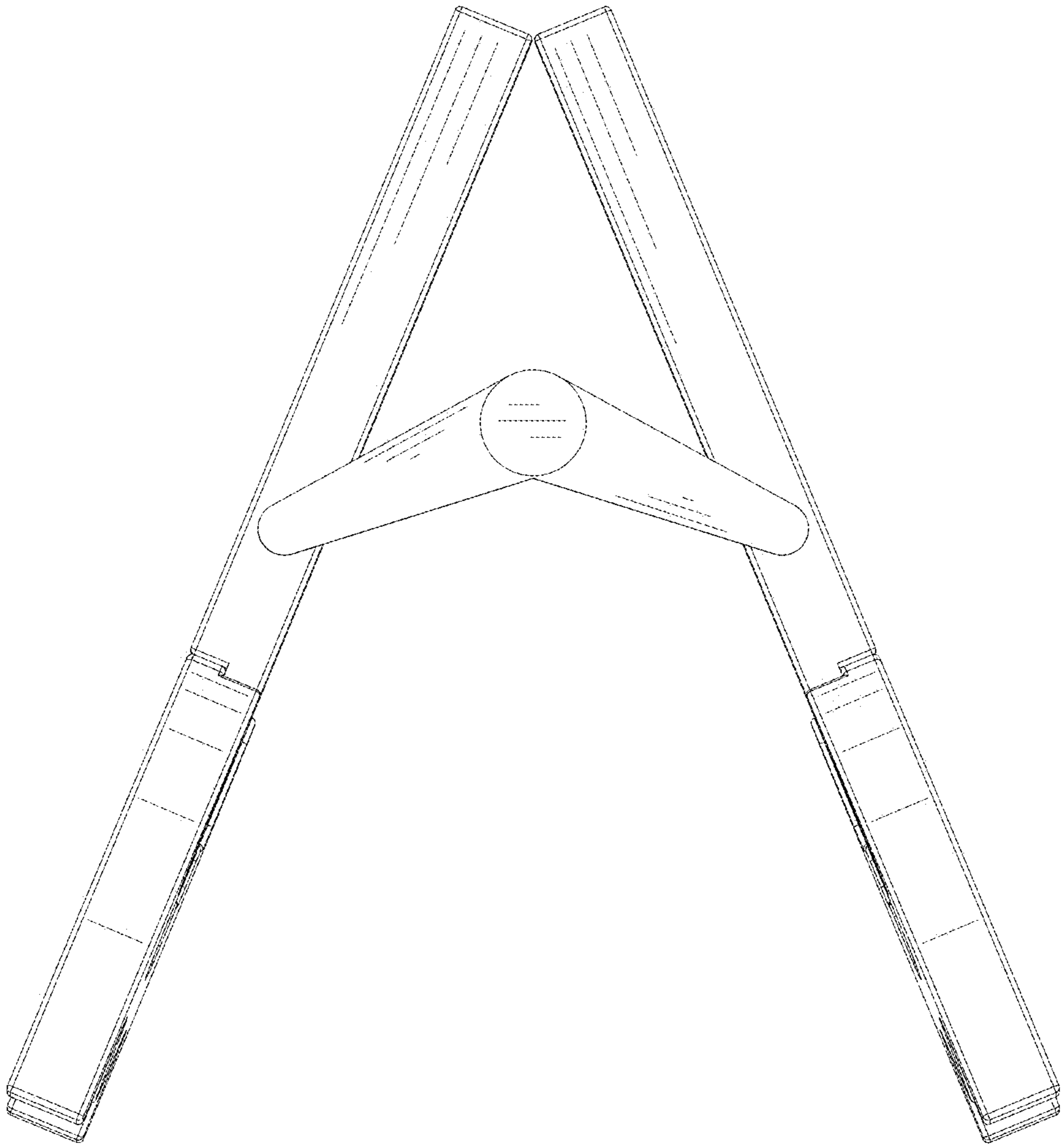


FIG.2

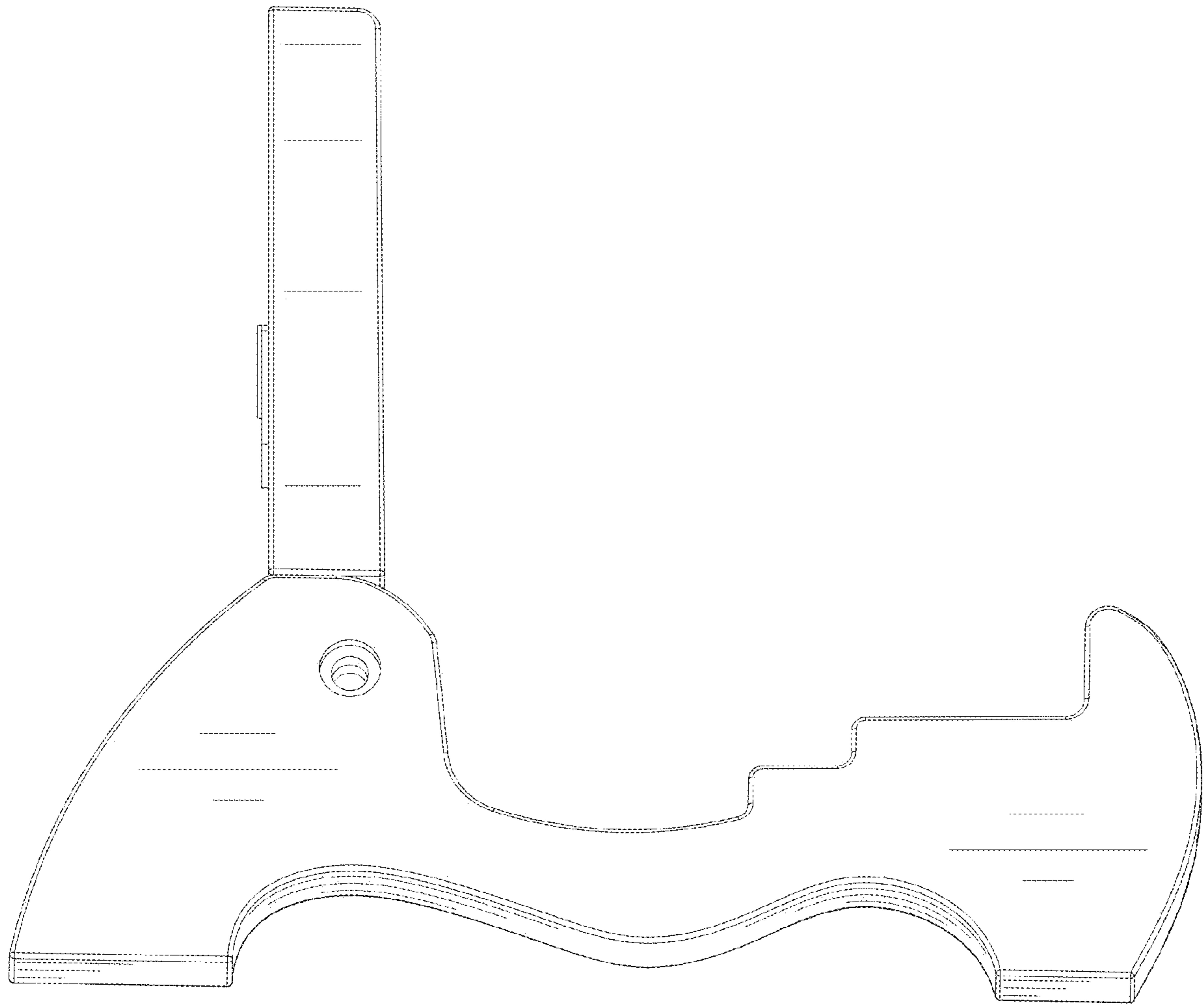


FIG.3

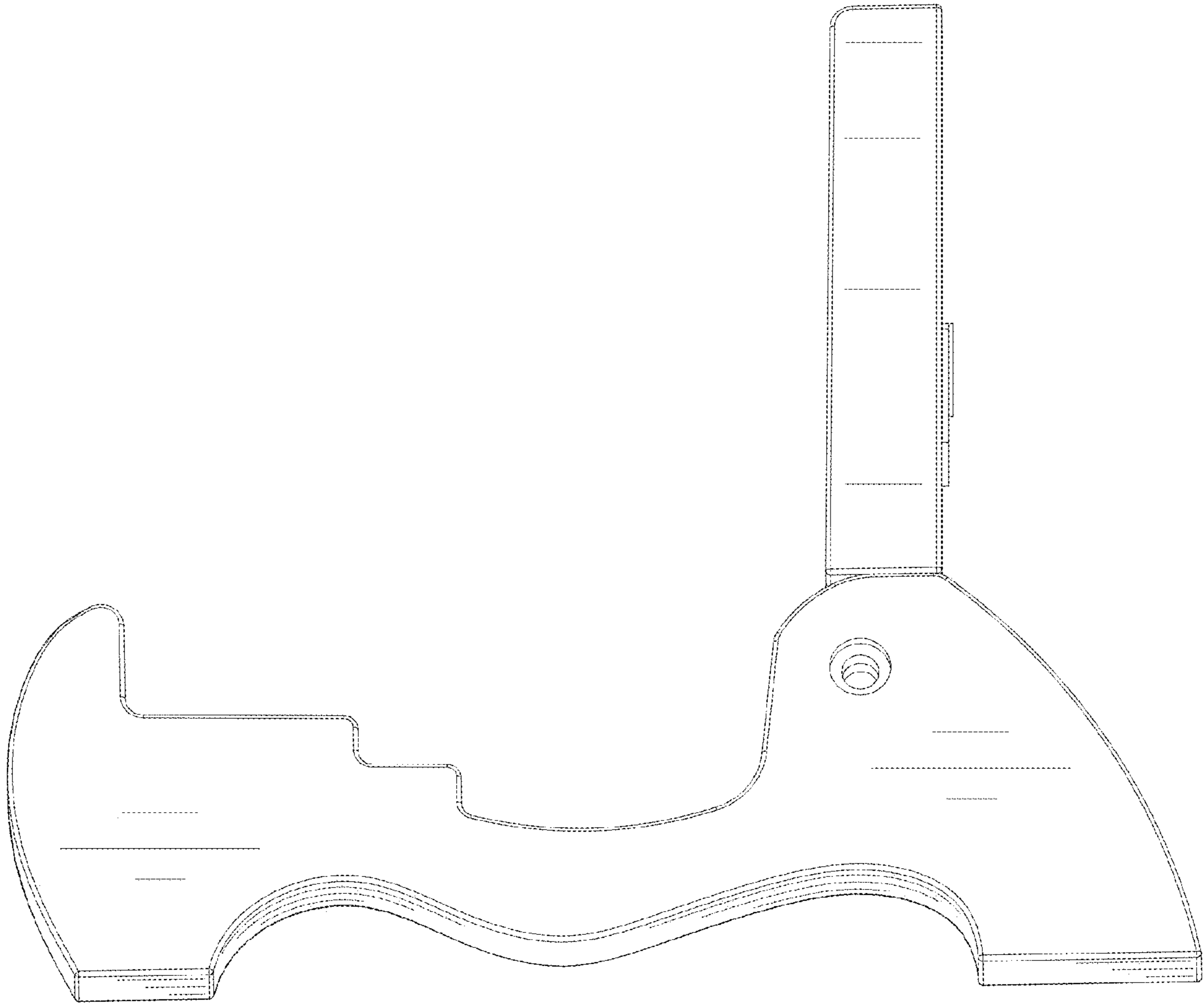


FIG. 4

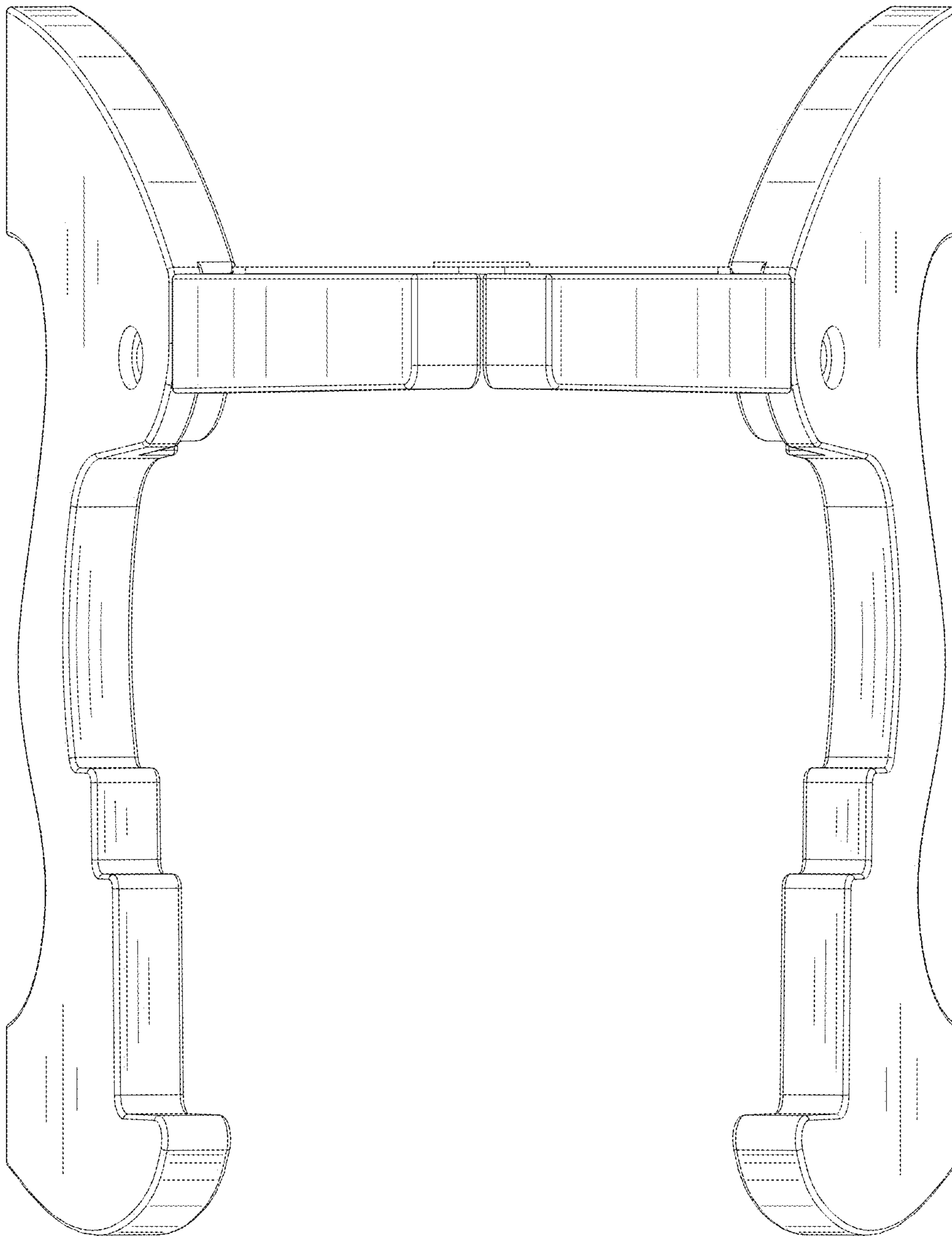


FIG.5

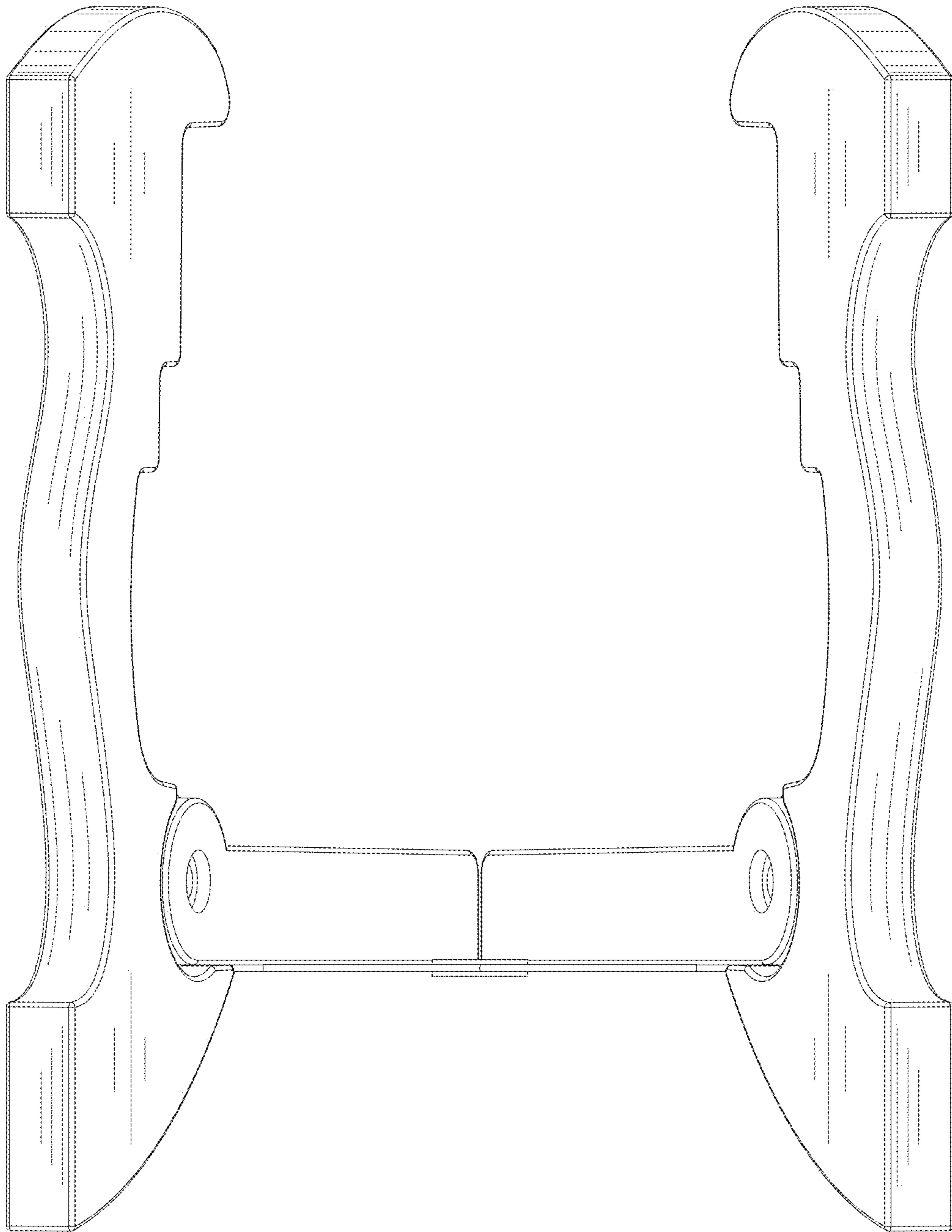


FIG.6

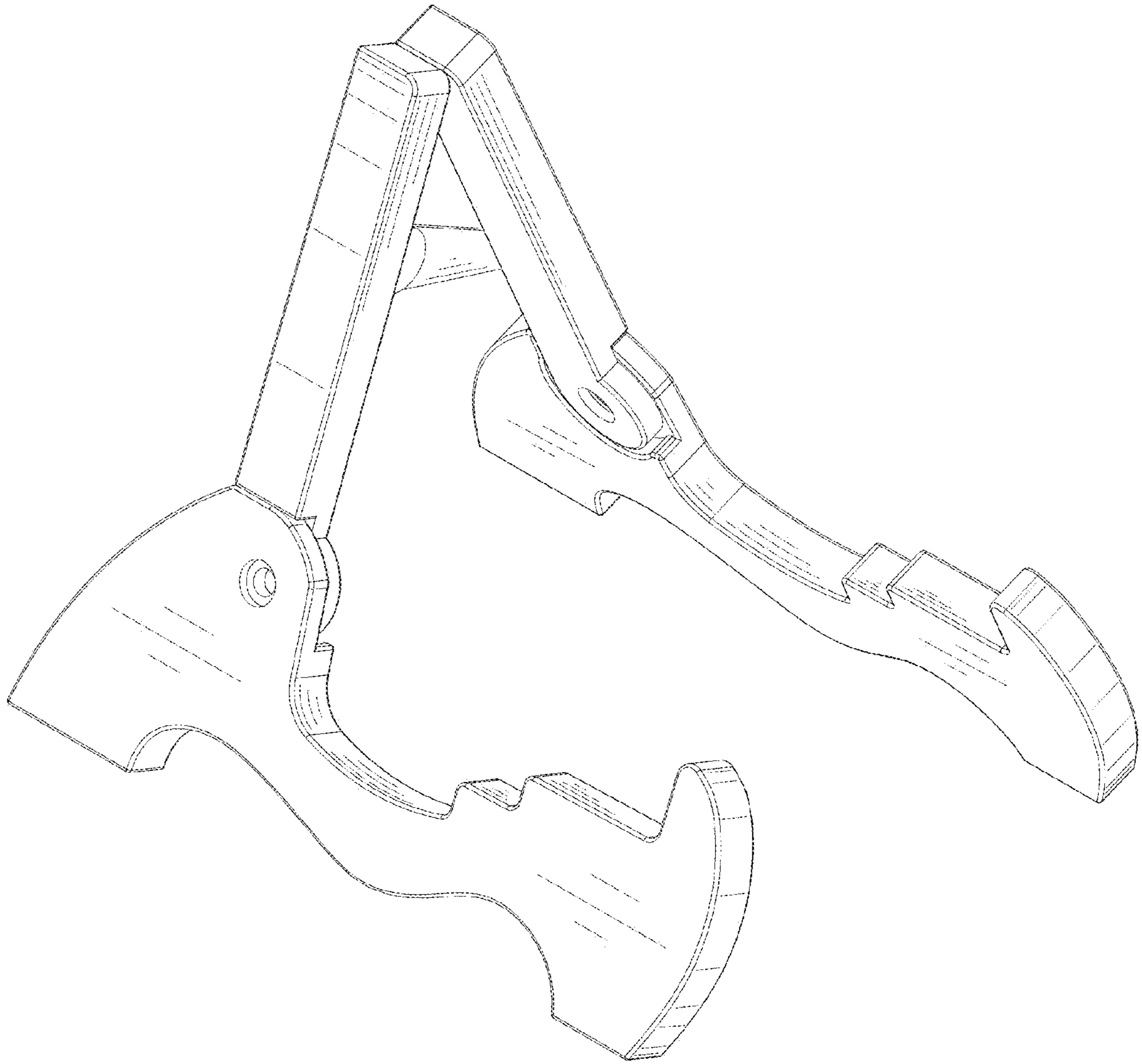


FIG. 7

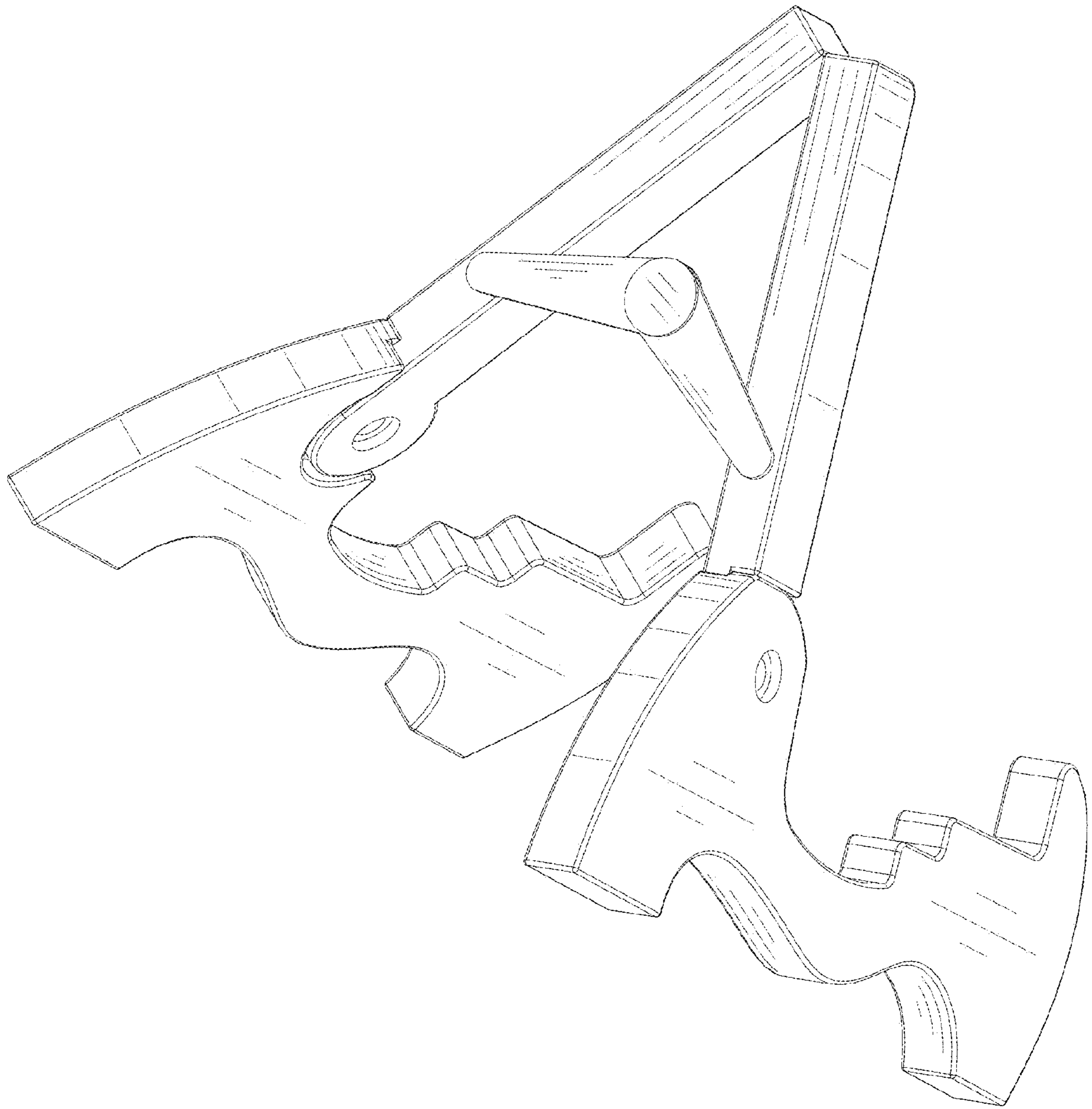


FIG.8