



US00D943960S

(12) **United States Design Patent** (10) **Patent No.:** **US D943,960 S**  
**de Montgolfier** (45) **Date of Patent:** **\*\* Feb. 22, 2022**

(54) **SHOE**

(71) Applicant: **NIKE, Inc.**, Beaverton, OR (US)

(72) Inventor: **Vianney de Montgolfier**, Portland, OR (US)

(73) Assignee: **NIKE, Inc.**, Beaverton, OR (US)

(\*\*) Term: **15 Years**

(21) Appl. No.: **29/756,278**

(22) Filed: **Oct. 27, 2020**

(51) **LOC (13) Cl.** ..... **02-04**

(52) **U.S. Cl.**  
USPC ..... **D2/972; D2/947**

(58) **Field of Classification Search**  
USPC ..... D2/896, 900, 902, 904, 906–908, D2/916–924, 925–945, 947, 969, D2/970–979; 36/1.5, 3 A, 83, 45, 99, 36/101, 112–116, 136  
CPC ..... A43B 23/00; A43B 23/02; A43B 23/04; A43B 23/07; A43B 23/024; A43B 23/0245; A43B 23/025; A43B 23/026; A43B 23/265; A43B 23/14; A43B 23/16; A43B 23/24; A43B 23/26; A43B 5/00; A43B 5/001; A43B 5/002; A43B 5/003; A43B 5/008; A43B 5/06; A43B 5/08; A43B 5/10; A43B 5/12; A43B 5/14; A43B 5/145; A43B 1/00; A43B 1/02; A43B 1/04; A43B 1/0045; A43B 3/12; A43B 7/00; A43B 9/00; A43B 9/08; A43B 9/14; A43B 9/16; A43B 11/00; A43B 21/00; A43B 21/02; A43B 21/04; A43B 21/06; A43C 1/00; A43C 1/003; A43C 1/06; A43C 3/00; A43C 5/00; A43C 7/00; A43C 11/00

See application file for complete search history.

(56) **References Cited**

**U.S. PATENT DOCUMENTS**

D301,386 S	6/1989	Weiner	
D407,545 S *	4/1999	Kelchak .....	D2/969
D412,612 S *	8/1999	Boyer .....	D2/902
D421,176 S *	2/2000	Matis .....	D2/902
D438,697 S *	3/2001	Matis .....	D2/902
D439,399 S *	3/2001	Matis .....	D2/902
D480,546 S *	10/2003	Belley .....	D2/969
D490,233 S	5/2004	Cooper	
D636,564 S	4/2011	Matsueda et al.	
D737,555 S	9/2015	Della Valle et al.	
D740,002 S	10/2015	Della Valle et al.	
D807,014 S *	1/2018	Sullivan .....	D2/972
D816,972 S	5/2018	Pauk	

(Continued)

**OTHER PUBLICATIONS**

Nike React Miler 2, Nike.com, [online], [site visited Jun. 26, 2021].  
<URL: <https://www.nike.com/t/react-miler-2-mens-road-running-shoe-3PDZdP/CW7121-400>> (Year: 2021).\*

(Continued)

*Primary Examiner* — Jonathan J Han

(74) *Attorney, Agent, or Firm* — Banner & Witcoff, Ltd.

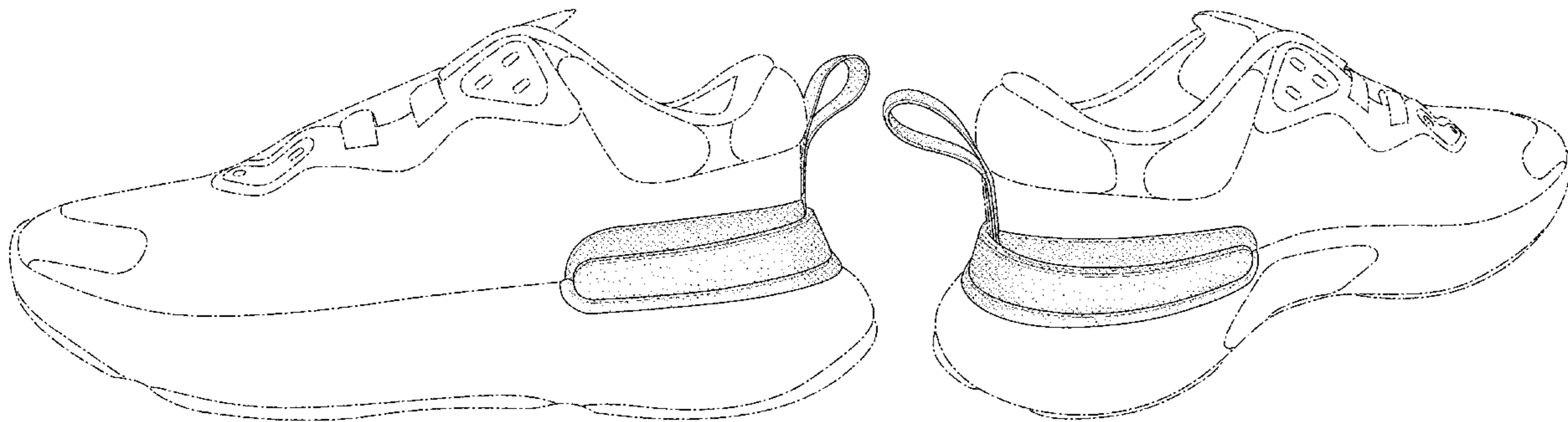
(57) **CLAIM**

The ornamental design for a shoe, as shown and described.

**DESCRIPTION**

FIG. 1 is a side view of a shoe showing my new design; FIG. 2 is a rear perspective view thereof; FIG. 3 is a rear view thereof; FIG. 4 is an opposite side rear perspective view thereof; and, FIG. 5 is an opposite side view thereof. The broken lines showing of the rectangular shaped element form no part of the claimed design. The broken lines depicting the remainder of the shoe form no part of the claimed design.

**1 Claim, 5 Drawing Sheets**



(56)

References Cited

U.S. PATENT DOCUMENTS

D819,311 S 6/2018 Jury et al.  
 D827,281 S 9/2018 Buscemi  
 D836,320 S \* 12/2018 Petrie ..... D2/972  
 D838,966 S 1/2019 Pauk  
 D846,257 S \* 4/2019 Caruso ..... D2/969  
 D857,349 S \* 8/2019 Louboutin ..... D2/907  
 D858,054 S \* 9/2019 McMillan ..... D2/947  
 D858,075 S 9/2019 Schultze  
 D858,082 S \* 9/2019 McMillan ..... D2/973  
 D860,622 S 9/2019 Pauk  
 D862,047 S 10/2019 Patillon et al.  
 D866,155 S 11/2019 Enayah  
 D876,757 S \* 3/2020 Hartmann ..... D2/902  
 D882,916 S \* 5/2020 Pauk ..... D2/947  
 D884,333 S \* 5/2020 Walsh ..... D2/973  
 D888,386 S \* 6/2020 Pauk ..... D2/947  
 D888,401 S 6/2020 Pauk  
 D888,402 S \* 6/2020 Pauk ..... D2/972  
 D891,056 S \* 7/2020 Avar ..... D2/947  
 D891,075 S 7/2020 de Montgolfier  
 D891,742 S 8/2020 Seamarks  
 D891,744 S 8/2020 Han  
 D891,745 S 8/2020 Han  
 D892,479 S 8/2020 Han  
 D893,165 S 8/2020 de Montgolfier  
 D894,584 S 9/2020 de Montgolfier  
 D895,240 S 9/2020 Schultze  
 D899,753 S \* 10/2020 Ikeda ..... D2/972  
 D901,146 S \* 11/2020 Schultze ..... D2/947  
 D909,022 S 2/2021 Patt et al.  
 D909,721 S \* 2/2021 Toelle ..... D2/947  
 D909,738 S \* 2/2021 Toelle ..... D2/972  
 D910,284 S \* 2/2021 Sassi ..... D2/907  
 D911,016 S \* 2/2021 Richez ..... D2/972  
 D911,694 S \* 3/2021 Matthews ..... D2/972  
 D911,700 S \* 3/2021 Lesecq ..... D2/977

D912,387 S \* 3/2021 Ngene ..... D2/972  
 D913,647 S \* 3/2021 Garcia ..... D2/902  
 D913,677 S \* 3/2021 Rasmussen ..... D2/972  
 D914,335 S \* 3/2021 Patt ..... D2/907  
 D915,034 S \* 4/2021 Sartori ..... D2/907  
 D917,863 S \* 5/2021 McMillan ..... D2/972  
 D917,864 S \* 5/2021 McMillan ..... D2/972  
 D919,280 S \* 5/2021 Klein ..... D2/972

OTHER PUBLICATIONS

Nike React Infinity Run Flyknit 2, Nike.com, [online], [site visited Jun. 26, 2021]. <URL: <https://www.nike.com/t/react-infinity-run-flyknit-2-mens-running-shoe-00xm06/DJ5181-400>> (Year: 2021).  
 Nike React Miler 2 Review, iRun.com, by iRun Singapore on May 4, 2021, [online], [site visited Jun. 26, 2021]. <URL: <https://irung.com/blogs/training/nike-react-miler-2>> (Year: 2021).  
 “Nike Epic React Coming Soon In White And Pink”; SneakerNews; retrieved Oct. 12, 2020; published Apr. 25, 2018; URL:><https://sneakernews.com/2018/04/25/nike-epic-react-white-pink-release-info/>>.  
 Nike Footwear Catalog, 1984 Shoe Show, p. 2, published Nov. 1983, Nike, Inc., USA.  
 Nike Footwear Catalog, 2007 Fall Footwear, p. 183, published Nov. 2005, Nike, Inc., USA.  
 NIKE Footwear Catalog, 2014 Fall City Specialty Footwear Best Final, p. 13, published Feb. 2013, Nike, Inc., USA.  
 Nike Footwear Catalog, 2018 Holiday Sportswear, p. 241, published May 2016, Nike, Inc., USA.  
 Nike Footwear Catalog, 2019 Spring Sportswear, p. 232, published date unknown, but prior to the filing date of the present application, Nike, Inc., USA.  
 Nike Footwear Catalog, 2019 Fall Athletic Specialty Running, p. 861, published date unknown, but prior to the filing date of the present application, Nike, Inc., USA.

\* cited by examiner

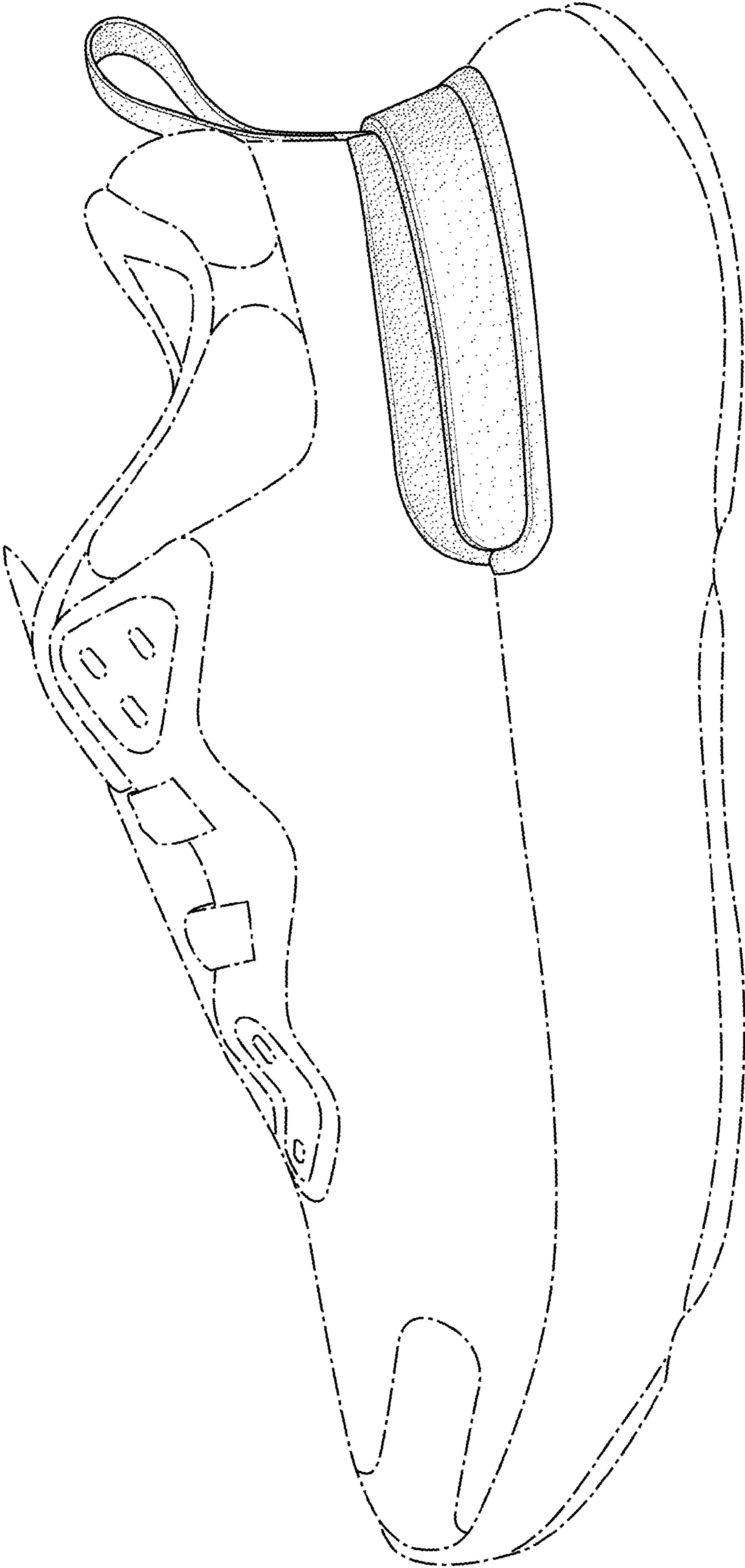


FIG. 1

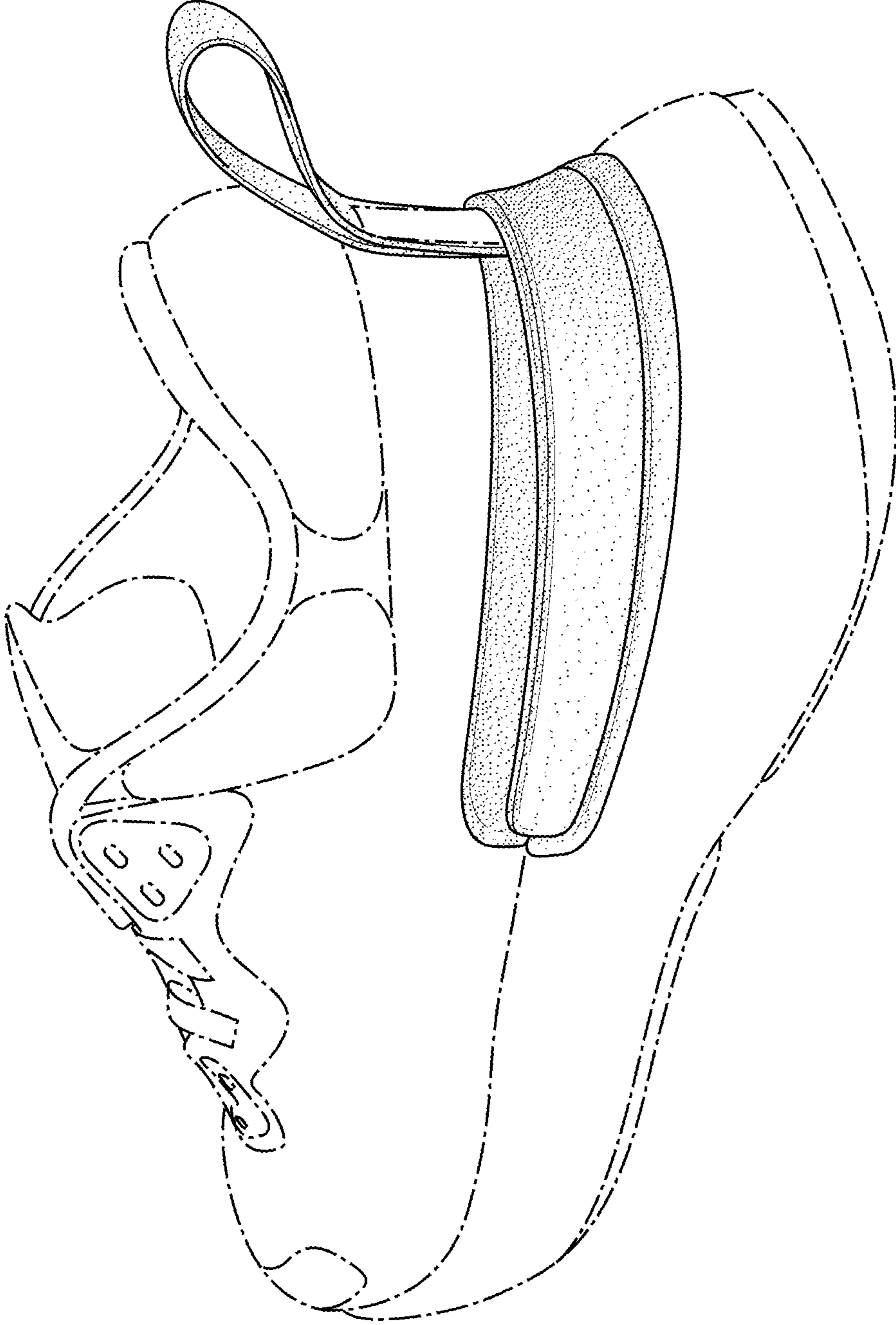


FIG. 2

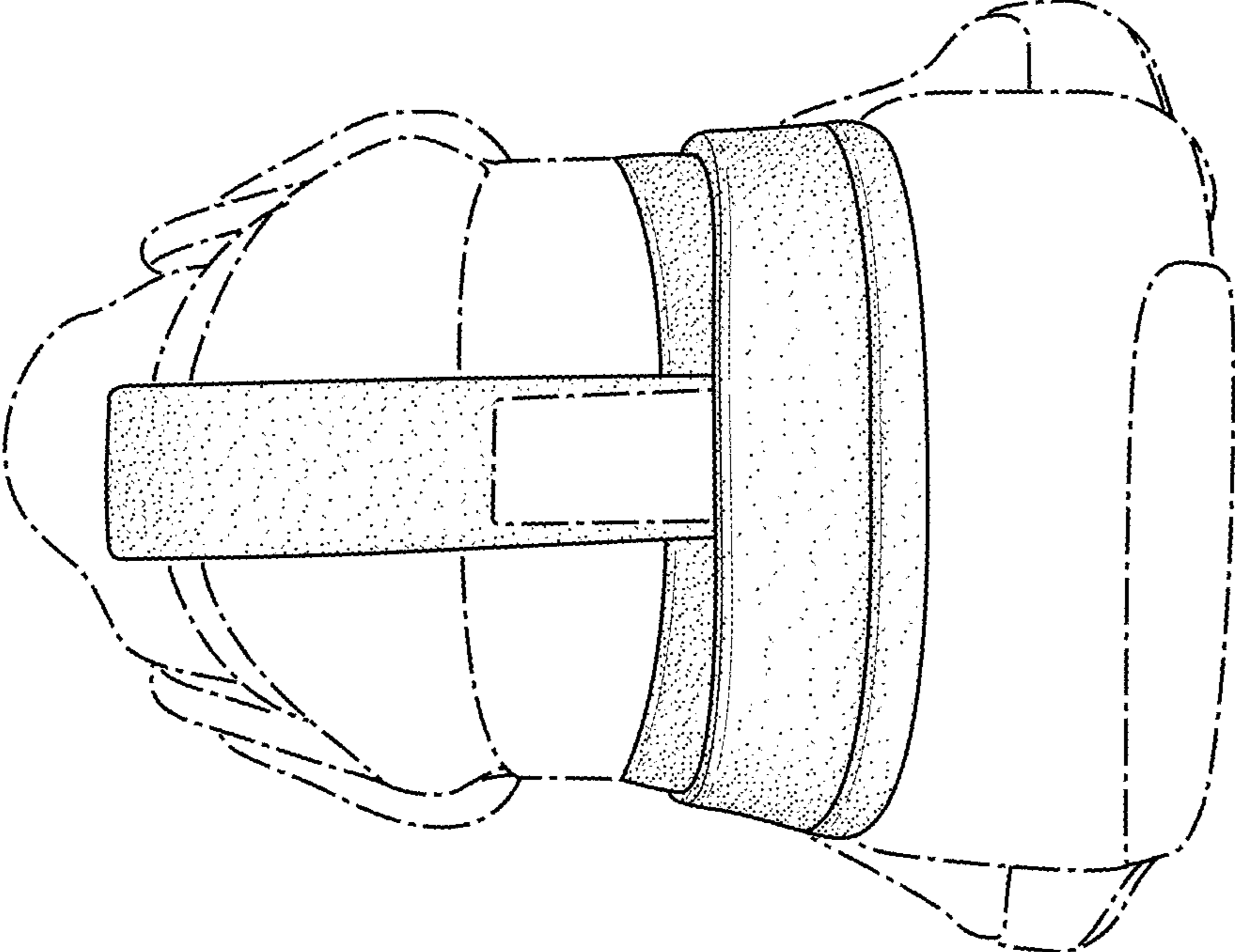


FIG. 3

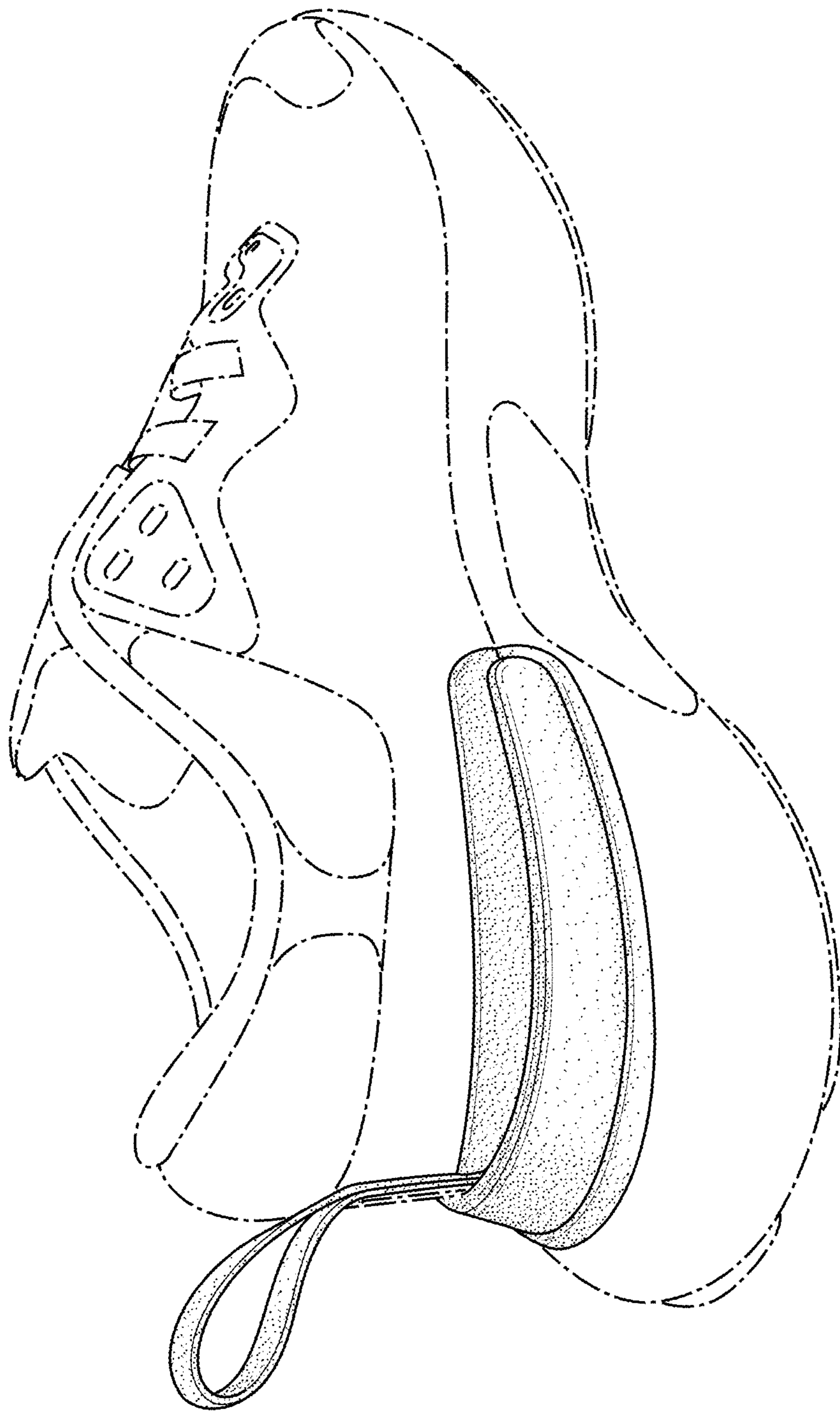


FIG. 4

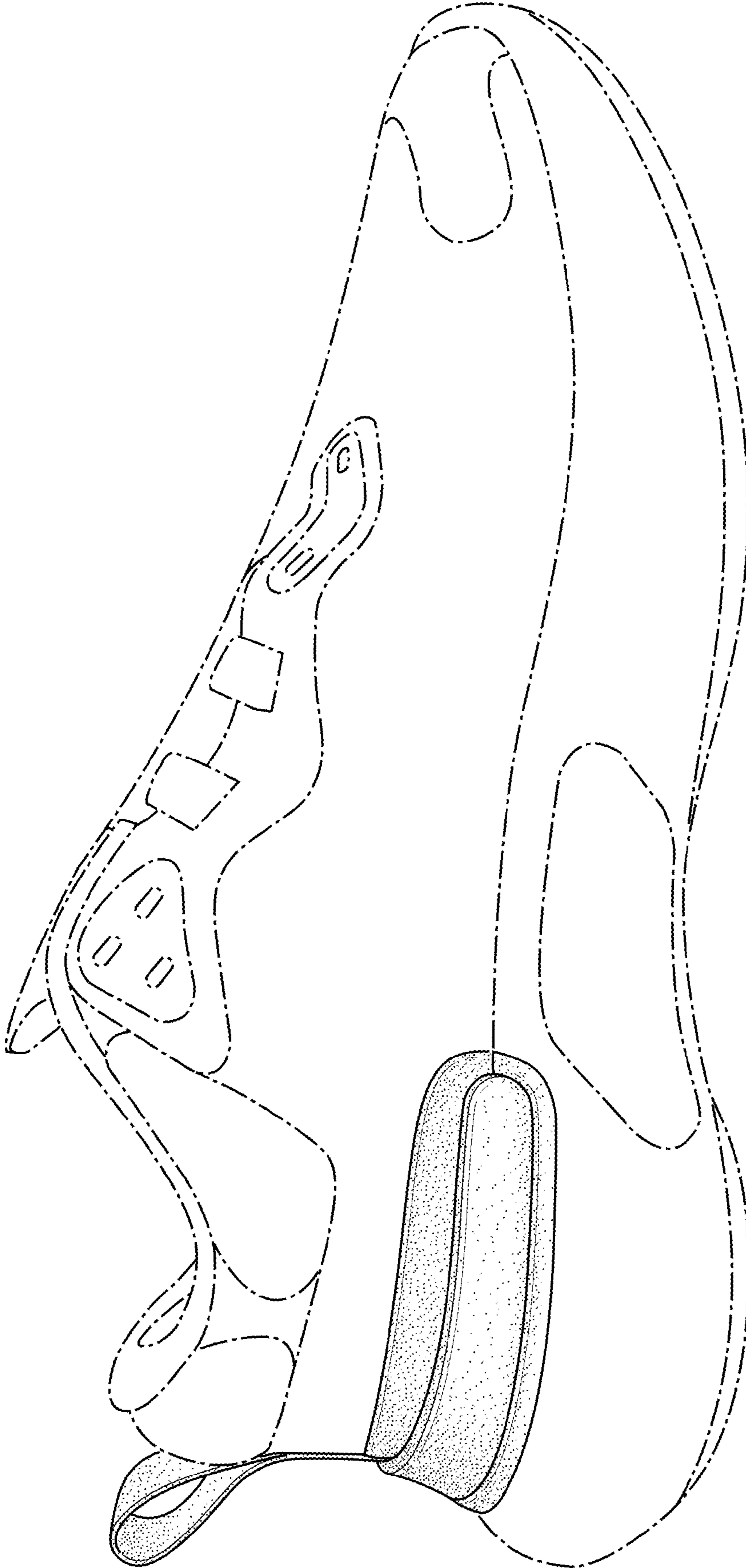


FIG. 5