



US00D943946S

(12) **United States Design Patent**
Cheney et al.

(10) **Patent No.:** **US D943,946 S**
(45) **Date of Patent:** **** Feb. 22, 2022**

(54) **LATTICE STRUCTURE FOR FOOTWEAR**

A43B 13/20; A43B 13/22; A43B 13/223;
A43B 13/24; A43B 13/28; A43B 13/30;
(Continued)

(71) Applicant: **FAST IP, LLC**, Vineyard, UT (US)

(72) Inventors: **Craig Cheney**, Orem, UT (US); **Steven Hermann**, Lehi, UT (US)

(56) **References Cited**

(73) Assignee: **FAST IP, LLC**, Lindon, UT (US)

U.S. PATENT DOCUMENTS

(**) Term: **15 Years**

D522,735 S * 6/2006 Mermet D2/972
D578,294 S * 10/2008 Mervar D2/969
(Continued)

(21) Appl. No.: **29/744,853**

OTHER PUBLICATIONS

(22) Filed: **Jul. 31, 2020**

Nano X1 Men's Training Shoes, Reebok.com, [online], [site visited Aug. 30, 2021]. <URL: <https://www.reebok.com/us/nano-x1-men-s-training-shoes/FX3241.html>> (Year: 2021).*

(51) **LOC (13) Cl.** **02-04**

(52) **U.S. Cl.**
USPC **D2/972**; D2/947

(Continued)

(58) **Field of Classification Search**

USPC D2/896, 900, 902, 904, 906–908,
D2/916–924, 925–945, 946–962, 969,
D2/970–979; 36/1.5, 3 A, 83, 45, 99,
36/112–116, 1, 3 B, 22 R, 24.5, 25 R, 28,
36/32 R, 34 R, 59 C, 67 A, 101–107,
36/117.3, 117.4, 124–136

Primary Examiner — Jonathan J Han

CPC A43B 23/00; A43B 23/02; A43B 23/04;
A43B 23/07; A43B 23/024; A43B
23/0245; A43B 23/025; A43B 23/026;
A43B 23/265; A43B 23/14; A43B 23/16;
A43B 23/24; A43B 23/26; A43B 5/00;
A43B 5/001; A43B 5/002; A43B 5/003;
A43B 5/008; A43B 5/06; A43B 5/08;
A43B 5/10; A43B 5/12; A43B 5/14;
A43B 5/145; A43B 1/00; A43B 1/02;
A43B 1/04; A43B 1/0045; A43B 3/12;
A43B 7/00; A43B 9/00; A43B 9/08;
A43B 9/14; A43B 9/16; A43B 11/00;
A43B 21/00; A43B 21/02; A43B 21/04;
A43B 21/06; A43B 13/00; A43B 13/02;
A43B 13/023; A43B 13/026; A43B
13/04; A43B 13/08; A43B 13/10; A43B
13/12; A43B 13/14; A43B 13/141; A43B
13/143; A43B 13/16; A43B 13/18; A43B
13/181; A43B 13/187; A43B 13/189;

(57) **CLAIM**

We claim the ornamental design of a lattice structure for footwear, as shown and described.

DESCRIPTION

This application is a continuation of, claims priority to and the benefit of U.S. patent application Ser. No. 16/899,586, filed Jun. 12, 2020 entitled “Rapid-Entry Footwear having a Compressible Lattice Structure,” and such application is incorporated herein by reference in its entirety for all purposes.

FIG. 1 is a side perspective view of a lattice structure for footwear;

FIG. 2 is a second side perspective view thereof;

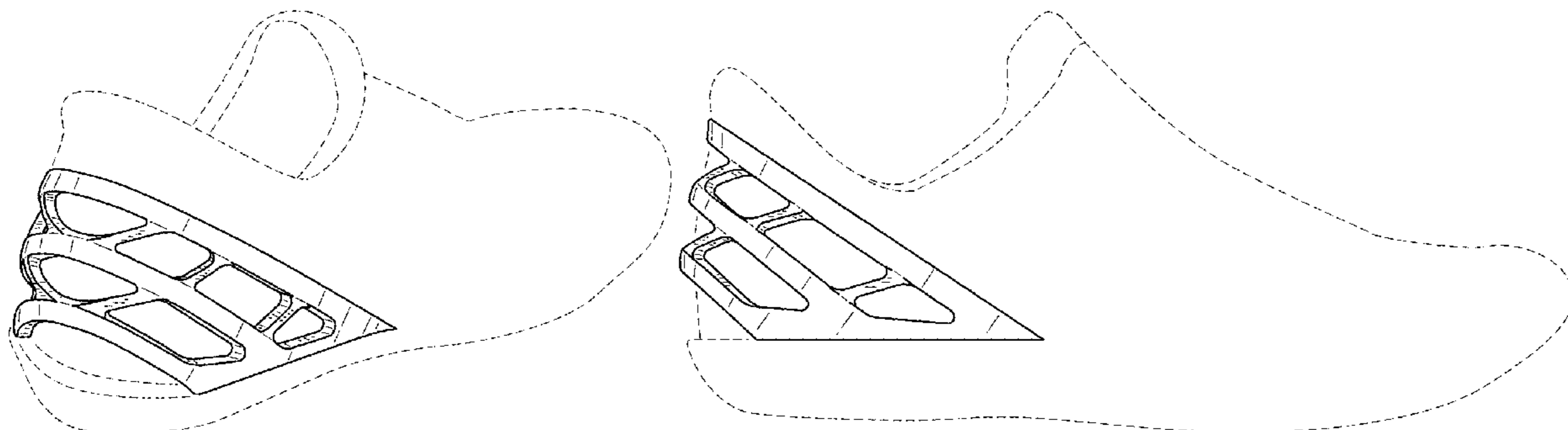
FIG. 3 is a side view thereof;

FIG. 4 is a rear view thereof; and,

FIG. 5 is a second side view thereof.

The broken lines showing the remainder of the shoe are for environmental purposes only, and form no part of the claimed design.

1 Claim, 5 Drawing Sheets



(58) **Field of Classification Search**

CPC A43B 13/32; A43B 13/34; A43B 13/36;
 A43C 1/00; A43C 1/003; A43C 1/06;
 A43C 3/00; A43C 5/00; A43C 7/00;
 A43C 11/00

See application file for complete search history.

(56) **References Cited**

U.S. PATENT DOCUMENTS

D636,569 S * 4/2011 McMillan D2/946
 D753,376 S * 4/2016 Birkinhead D2/902
 D773,794 S * 12/2016 Rasmussen D2/972
 D778,572 S * 2/2017 Kirschner D2/972
 D778,576 S * 2/2017 Yun D2/972
 D778,586 S * 2/2017 McMillan D2/972
 D779,174 S * 2/2017 de Montgolfier D2/947
 D783,983 S * 4/2017 Yun D2/972
 D783,993 S * 4/2017 Hatfield D2/972
 D791,450 S * 7/2017 Birkinhead D2/902
 D796,824 S * 9/2017 Kanata D2/972
 D801,646 S * 11/2017 Townsend D2/909
 D808,132 S * 1/2018 Sars D2/906
 D832,568 S * 11/2018 Kuerbis D2/972
 10,238,181 B2 * 3/2019 Greene A43C 5/00
 D853,103 S * 7/2019 Nethongkome D2/972
 D854,305 S * 7/2019 Montross D2/972
 D858,055 S * 9/2019 Kasprzak D2/951
 D858,073 S * 9/2019 McMillan D2/972

D859,791 S * 9/2019 Webster D2/899
 D862,869 S * 10/2019 Simone D2/972
 D870,443 S * 12/2019 Winfield D2/972
 D875,374 S * 2/2020 Nethongkome D2/972
 D878,014 S * 3/2020 Chen D2/919
 10,638,810 B1 * 5/2020 Cheney A43B 11/00
 D892,478 S * 8/2020 Hobson D2/947
 D895,244 S * 9/2020 Felloni D2/951
 D895,245 S * 9/2020 Hardigan D2/953
 10,973,279 B2 * 4/2021 Cheney A43B 3/248
 D918,546 S * 5/2021 Rasmussen D2/947
 2019/0166952 A1 * 6/2019 Vestuti A43B 5/025
 2020/0305552 A1 * 10/2020 Cheney A43B 3/248

OTHER PUBLICATIONS

Reebok Women's Nano X Cross Trainer Running Shoes, Amazon.com, Date First Available: Sep. 5, 2019, [online], [site visited Aug. 30, 2021]. <URL: <https://www.amazon.com/dp/B07TB5LPWD?tag=garagegympower1-20&linkCode=ogi&th=1&psc=1>> (Year: 2019).*

Men's Athens, Kizik.com, [online], [site visited Aug. 30, 2021]. <URL: <https://kizik.com/collections/mens-best-selling/products/mens-athens-slate-grey>> (Year: 2021).*

WearKizik The Wait is almost over, Instagram.com, Aug. 20, 2021, [online], [site visited Aug. 30, 2021]. <URL: <https://www.instagram.com/p/CS0lfPCpVsf/>> (Year: 2021).*

* cited by examiner

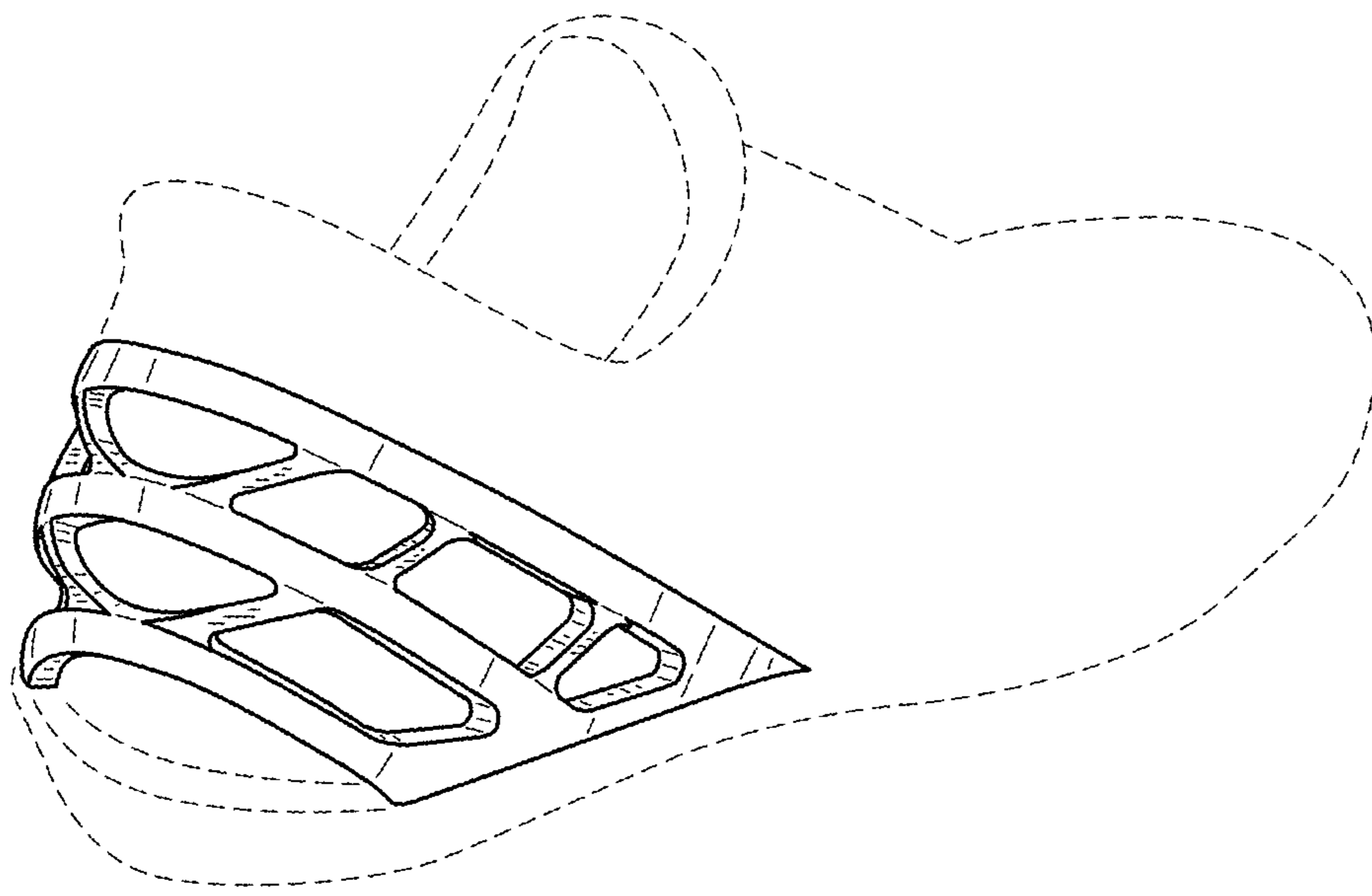


FIG.1

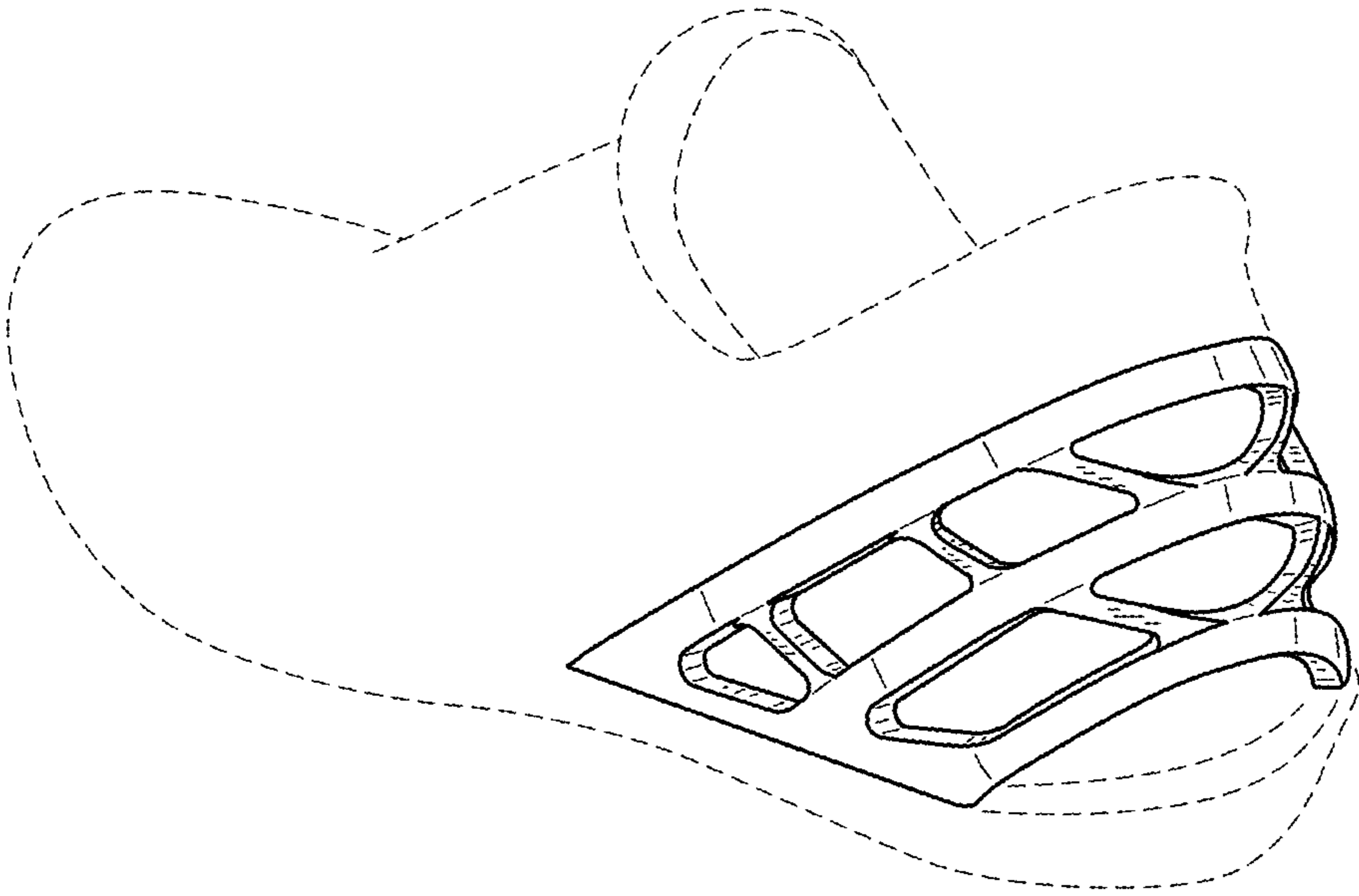


FIG.2

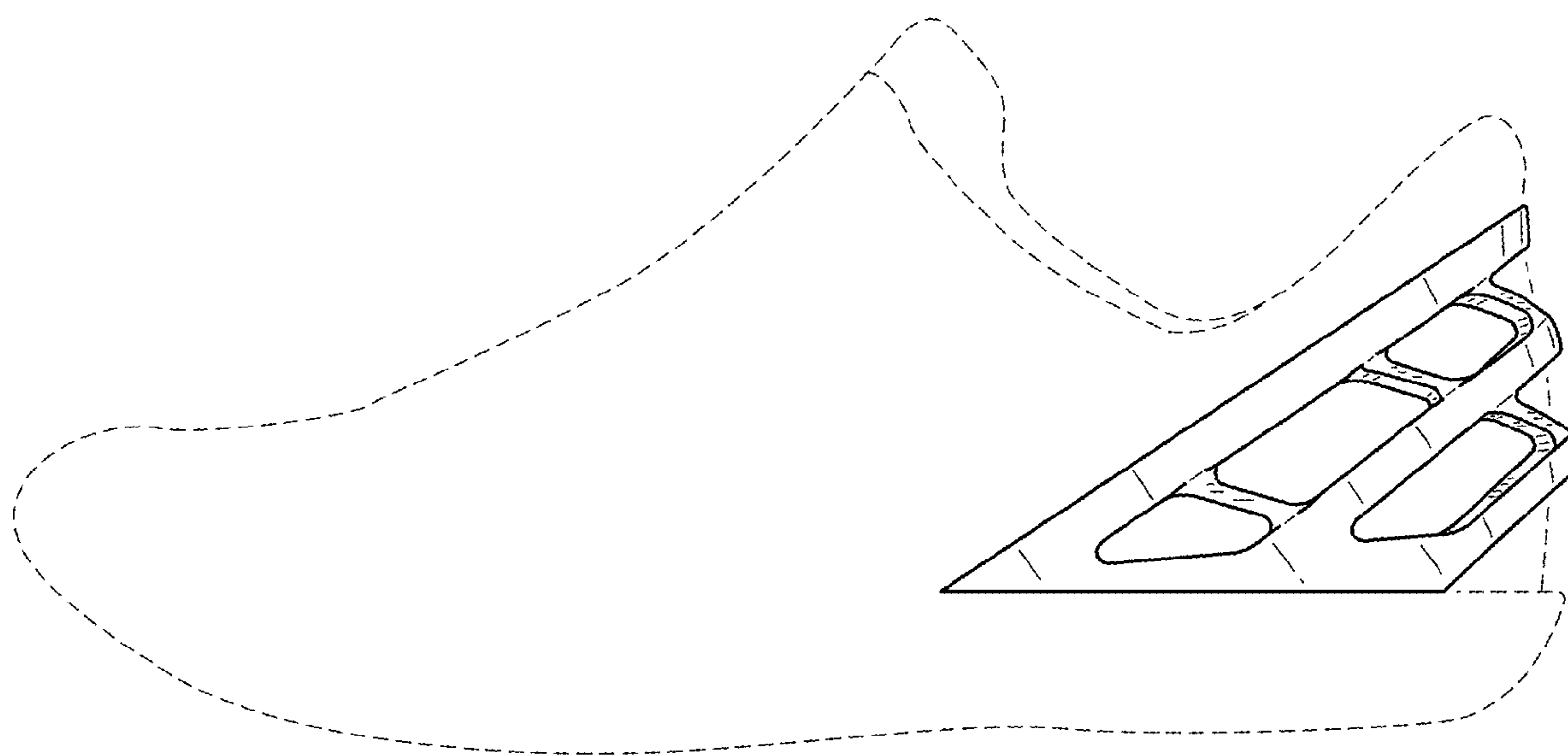


FIG.3

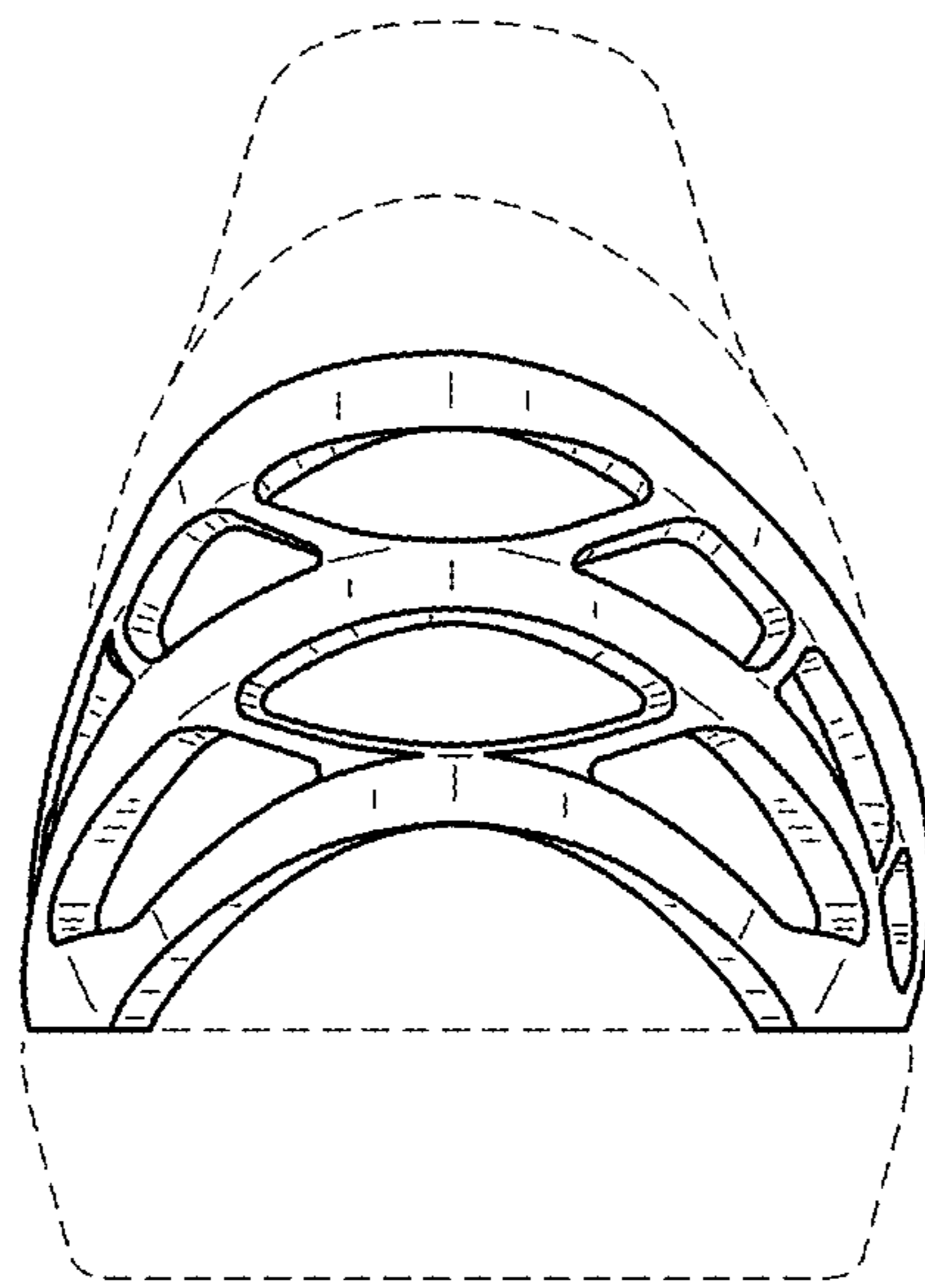


FIG.4

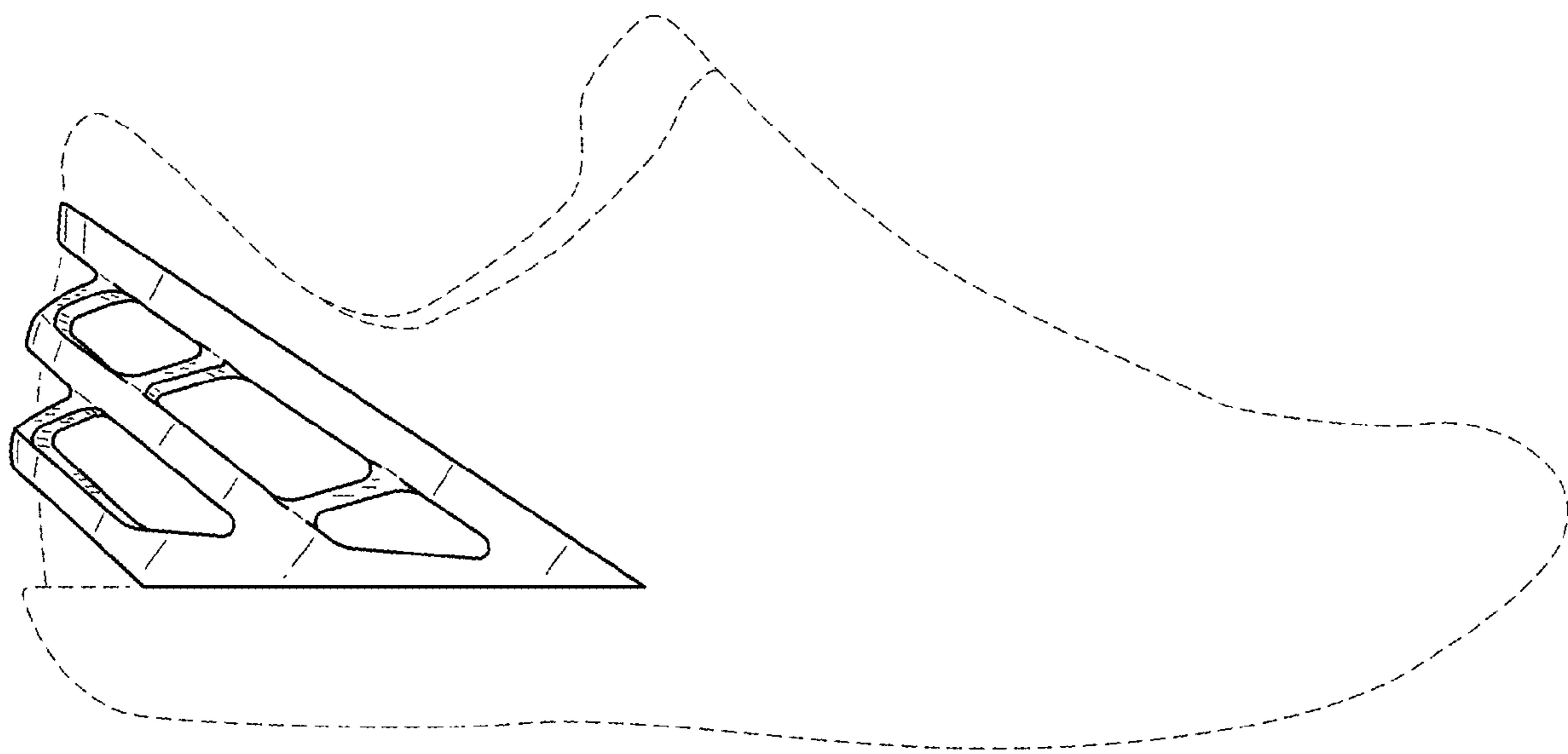


FIG.5