



US00D943926S

(12) **United States Design Patent**
Weddle et al.

(10) **Patent No.:** **US D943,926 S**
(45) **Date of Patent:** **** Feb. 22, 2022**

(54) **GOLF SHOE UPPER**

DESCRIPTION

- (71) Applicant: **Acushnet Company**, Fairhaven, MA (US)
- (72) Inventors: **Daren S. Weddle**, Norwell, MA (US); **James M. Feeney**, Marion, MA (US)
- (73) Assignee: **Acushnet Company**, Fairhaven, MA (US)
- (**) Term: **15 Years**
- (21) Appl. No.: **29/727,270**
- (22) Filed: **Mar. 10, 2020**
- (51) **LOC (13) Cl.** **02-04**
- (52) **U.S. Cl.**
USPC **D2/972; D2/973**
- (58) **Field of Classification Search**
USPC D2/896, 900, 902, 904, 906–908,
D2/916–924, 925–945, 969, 970–979;
(Continued)

FIG. 1 is a top perspective view of a first embodiment of a golf shoe upper of this invention;
 FIG. 2 is a front elevation view of a first embodiment of a golf shoe upper of FIG. 1;
 FIG. 3 is a medial side elevation view of a first embodiment of a golf shoe upper of FIG. 1;
 FIG. 4 is a rear elevation view of a first embodiment of a golf shoe upper of FIG. 1;
 FIG. 5 is a lateral side elevation view of a first embodiment of a golf shoe upper of FIG. 1;
 FIG. 6 is a top plan view of a first embodiment of a golf shoe upper of FIG. 1;
 FIG. 7 is a bottom plan view of a first embodiment of a golf shoe upper of FIG. 1;
 FIG. 8 is a top perspective view of a second embodiment of a golf shoe upper of this invention;
 FIG. 9 is a front elevation view of a second embodiment of a golf shoe upper of FIG. 8;
 FIG. 10 is a medial side elevation view of a second embodiment of a golf shoe upper of FIG. 8;
 FIG. 11 is a rear elevation view of a second embodiment of a golf shoe upper of FIG. 8;
 FIG. 12 is a lateral side elevation view of a second embodiment of a golf shoe upper of FIG. 8;
 FIG. 13 is a top plan view of a second embodiment of a golf shoe upper of FIG. 8; and,
 FIG. 14 is a bottom plan view of a second embodiment of a golf shoe upper of FIG. 8.
 In FIGS. 1-14, the lighter broken lines on the upper of the shoe, including any laces or logo, form no part of the claimed design. Also, the lighter broken lines showing a shoe outsole, including any logo, form no part of the claimed design. The short broken lines on the claimed shoe upper surface depict stitching, which does form a part of the claimed design. The dot-dash broken lines define the bounds of the claimed design and forms no part thereof.

(56) **References Cited**

U.S. PATENT DOCUMENTS

- D287,301 S * 12/1986 Tong D2/969
 - D287,540 S * 1/1987 Gamm D2/905
- (Continued)

OTHER PUBLICATIONS

Premiere Series—Packard, FootJoy.com, [online], [site visited Jun. 1, 2021]. <URL: https://www.footjoy.com/golf-shoes/men/spikeless/premiere-series---packard/003DPS.html?dwvar_003DPS_color=53910> (Year: 2021).*

(Continued)

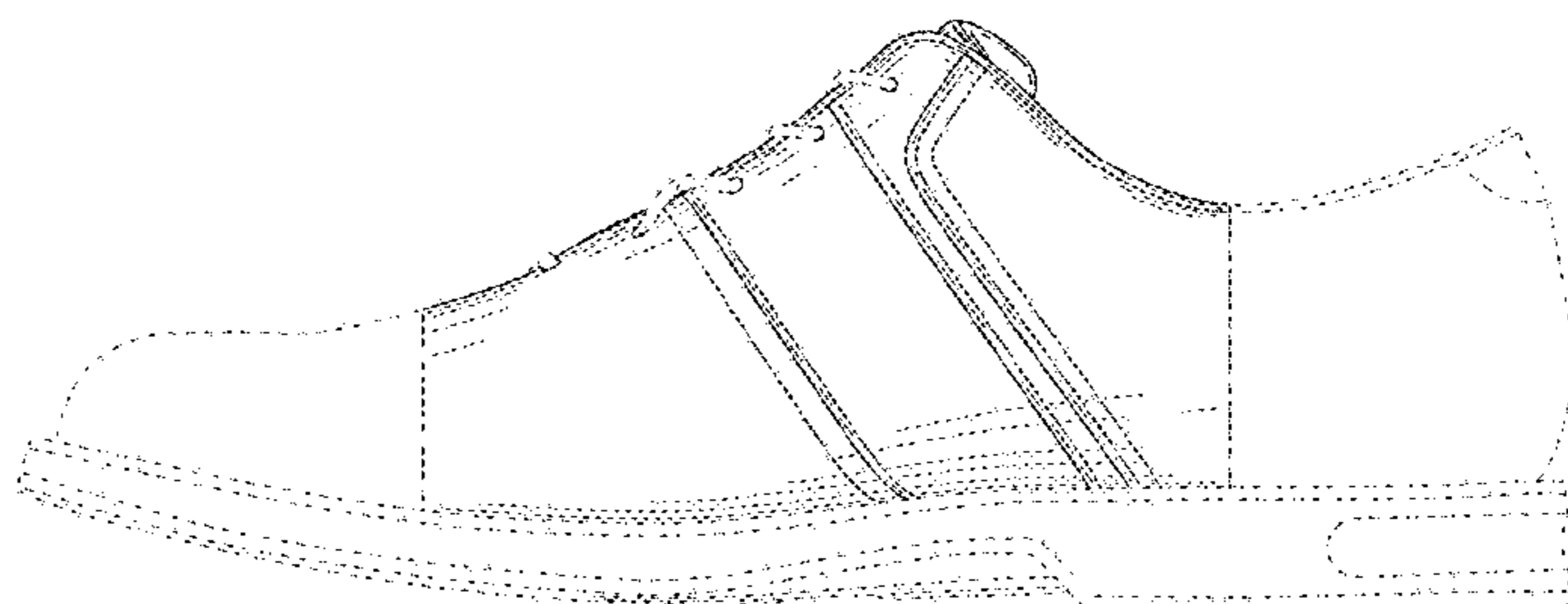
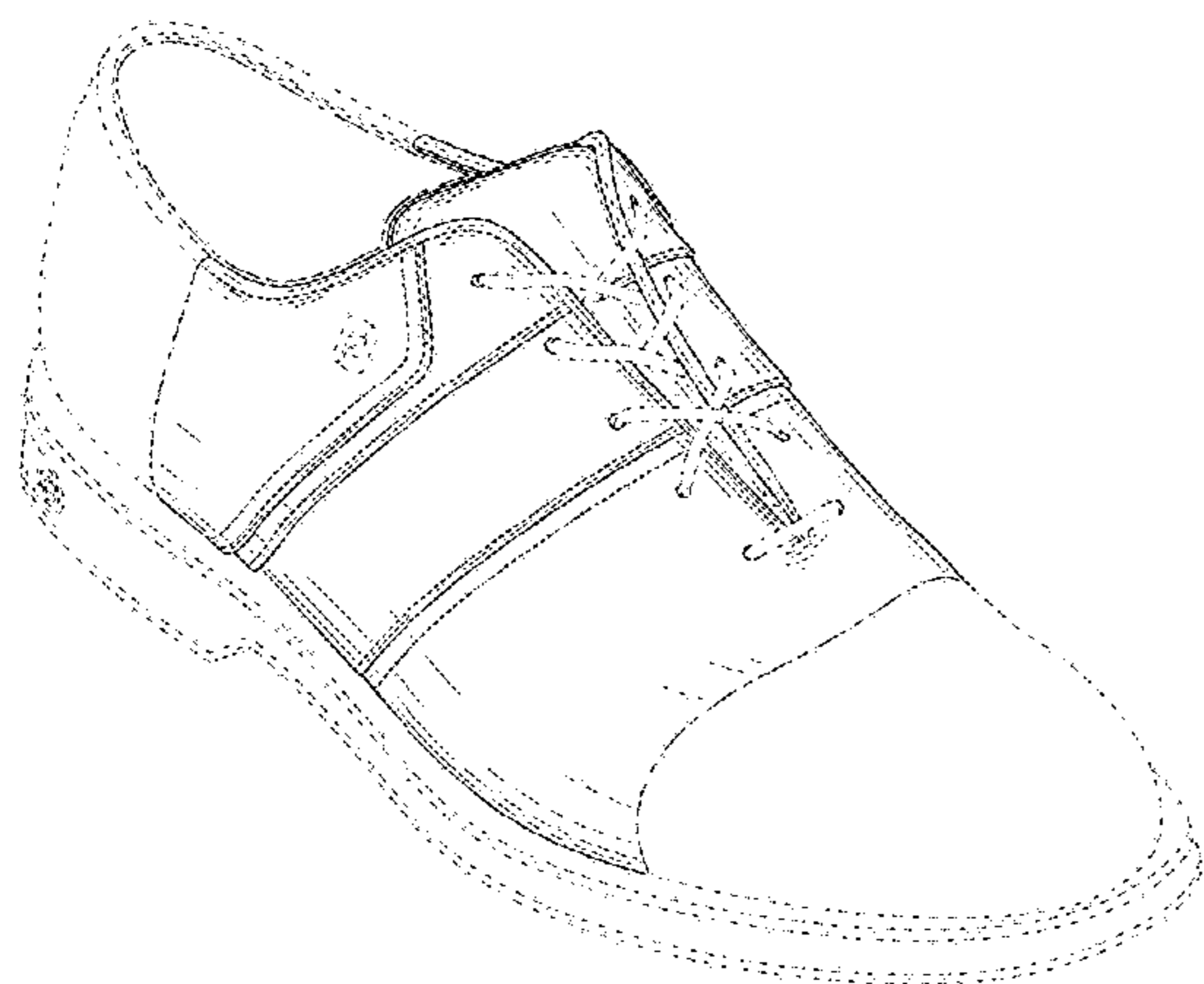
Primary Examiner — Jonathan J Han

(74) *Attorney, Agent, or Firm* — Kristin D. Wheeler

(57) **CLAIM**

The ornamental design for a golf shoe upper, as shown and described.

1 Claim, 10 Drawing Sheets



(58) **Field of Classification Search**

USPC 36/1.5, 3 A, 83, 45, 99, 101, 112–116,
36/136
CPC A43B 23/00; A43B 23/02; A43B 23/04;
A43B 23/07; A43B 23/024; A43B
23/0245; A43B 23/025; A43B 23/026;
A43B 23/265; A43B 23/14; A43B 23/16;
A43B 23/24; A43B 23/26; A43B 5/00;
A43B 5/001; A43B 5/002; A43B 5/003;
A43B 5/008; A43B 5/06; A43B 5/08;
A43B 5/10; A43B 5/12; A43B 5/14;
A43B 5/145; A43B 1/00; A43B 1/02;
A43B 1/04; A43B 1/0045; A43B 3/12;
A43B 7/00; A43B 9/00; A43B 9/08;
A43B 9/14; A43B 9/16; A43B 11/00;
A43B 21/00; A43B 21/02; A43B 21/04;
A43B 21/06; A43C 1/00; A43C 1/003;
A43C 1/06; A43C 3/00; A43C 5/00;
A43C 7/00; A43C 11/00

See application file for complete search history.

(56) **References Cited**

U.S. PATENT DOCUMENTS

D480,552 S * 10/2003 Burg D2/969
D487,626 S * 3/2004 Adams D2/969
D514,296 S * 2/2006 Erickson D2/906
D524,016 S * 7/2006 Robinson, Jr. D2/902
D541,025 S * 4/2007 Mochen D2/969
D560,338 S * 1/2008 Lane, III D2/969
D568,585 S * 5/2008 Dolce D2/902
D571,993 S * 7/2008 Erickson D2/969
D571,994 S * 7/2008 Lane, III D2/969
D576,386 S * 9/2008 Della Valle D2/908

D579,636 S * 11/2008 Graber D2/907
D603,596 S * 11/2009 Feeney D2/969
D603,598 S * 11/2009 Bacon D2/969
D604,034 S * 11/2009 Bacon D2/969
D613,480 S * 4/2010 Lamont D2/902
D620,689 S * 8/2010 Weber D2/902
D628,365 S * 12/2010 Bourdin D2/908
D628,373 S * 12/2010 Lane, III D2/969
D628,783 S * 12/2010 Mochen D2/969
D631,234 S * 1/2011 Kasprzak D2/906
D656,723 S * 4/2012 Eidson D2/969
D663,936 S * 7/2012 Lane D2/969
D672,942 S * 12/2012 Della Valle D2/908
8,490,303 B2 * 7/2013 Kasprzak A43B 13/04
36/127
D728,213 S * 5/2015 Mochen D2/969
D735,455 S * 8/2015 Mochen D2/969
D751,797 S * 3/2016 Slimane D2/908
D752,321 S * 3/2016 Sirius-El D2/908
D757,413 S * 5/2016 Bacon D2/969
D762,358 S * 8/2016 Slimane D2/929
D806,368 S * 1/2018 Sassi D2/908
D817,620 S * 5/2018 Weddle D2/969
D826,532 S * 8/2018 Ringholz D2/969
D899,734 S * 10/2020 Prat D2/907
D900,458 S * 11/2020 Swierszczyk D2/969
D902,552 S * 11/2020 Sartori D2/969
D908,340 S * 1/2021 Seamarks D2/973

OTHER PUBLICATIONS

FootJoy Premiere Series Golf Shoe Review, PluggedInGolf.com,
May 5, 2021, Matt Saturnus, [online], [site visited Jun. 1, 2021].
<URL: [https://pluggedingolf.com/footjoy-premiere-series-golf-shoe-
review/](https://pluggedingolf.com/footjoy-premiere-series-golf-shoe-review/)> (Year: 2021).*

* cited by examiner

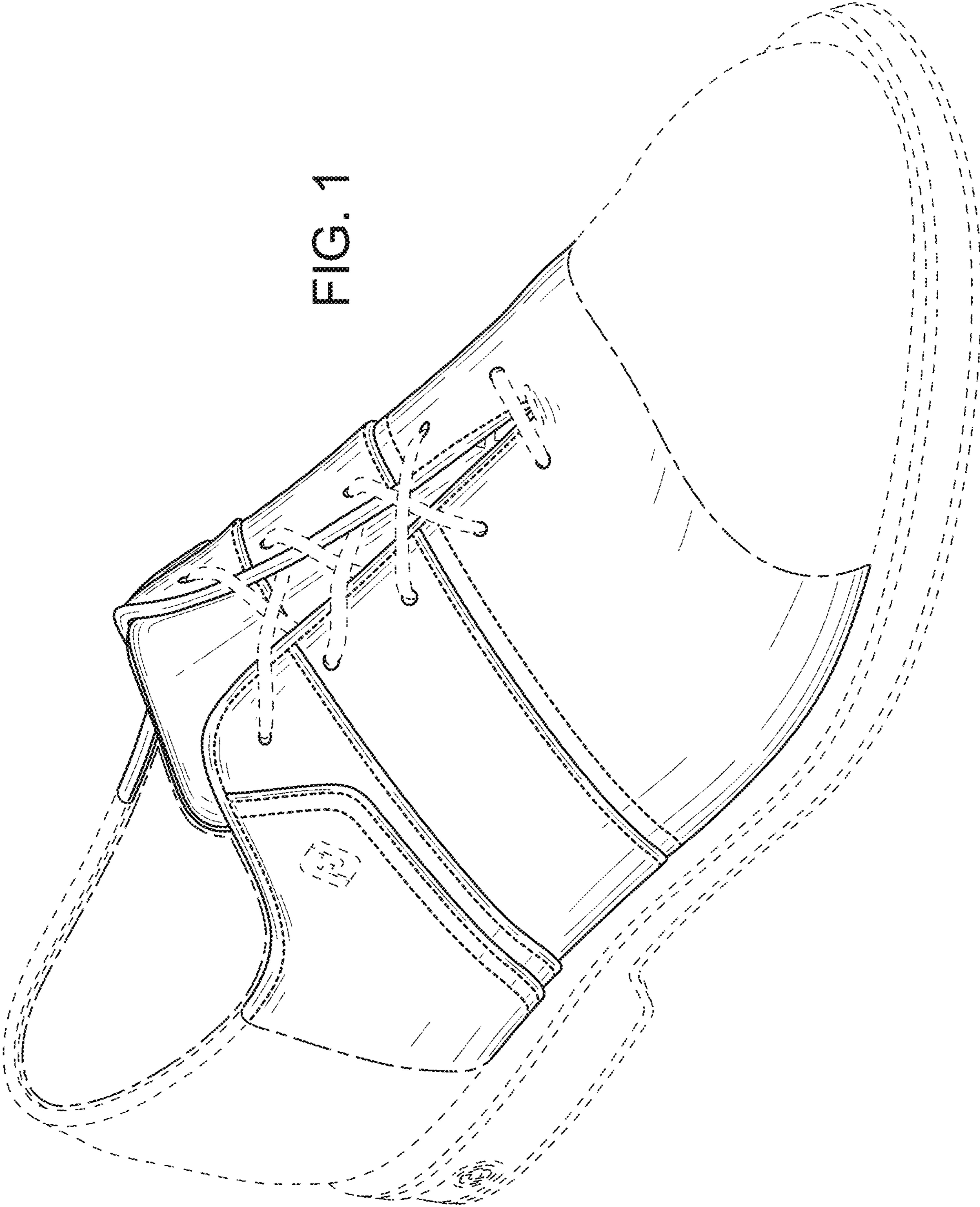


FIG. 1

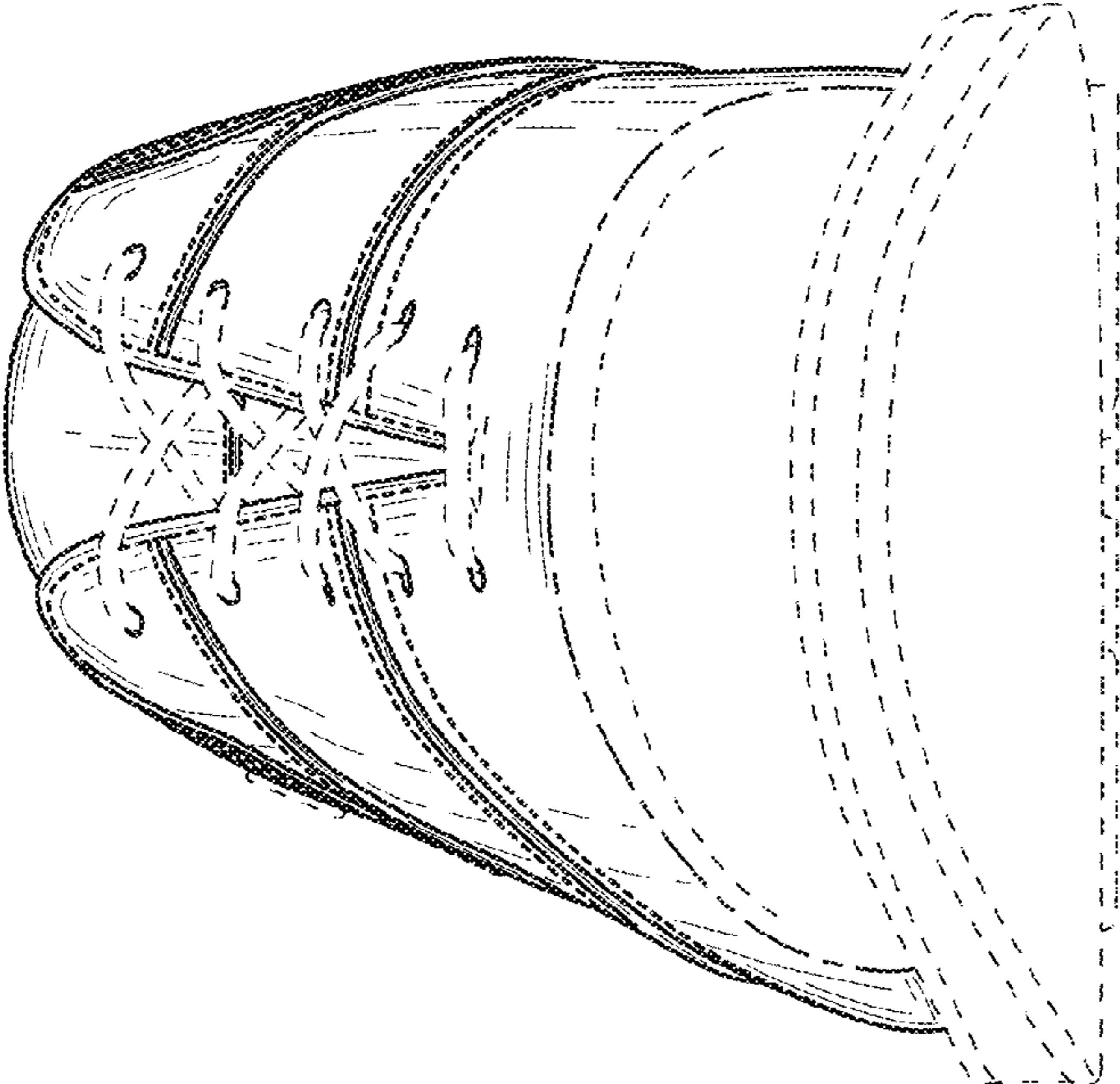


FIG. 2

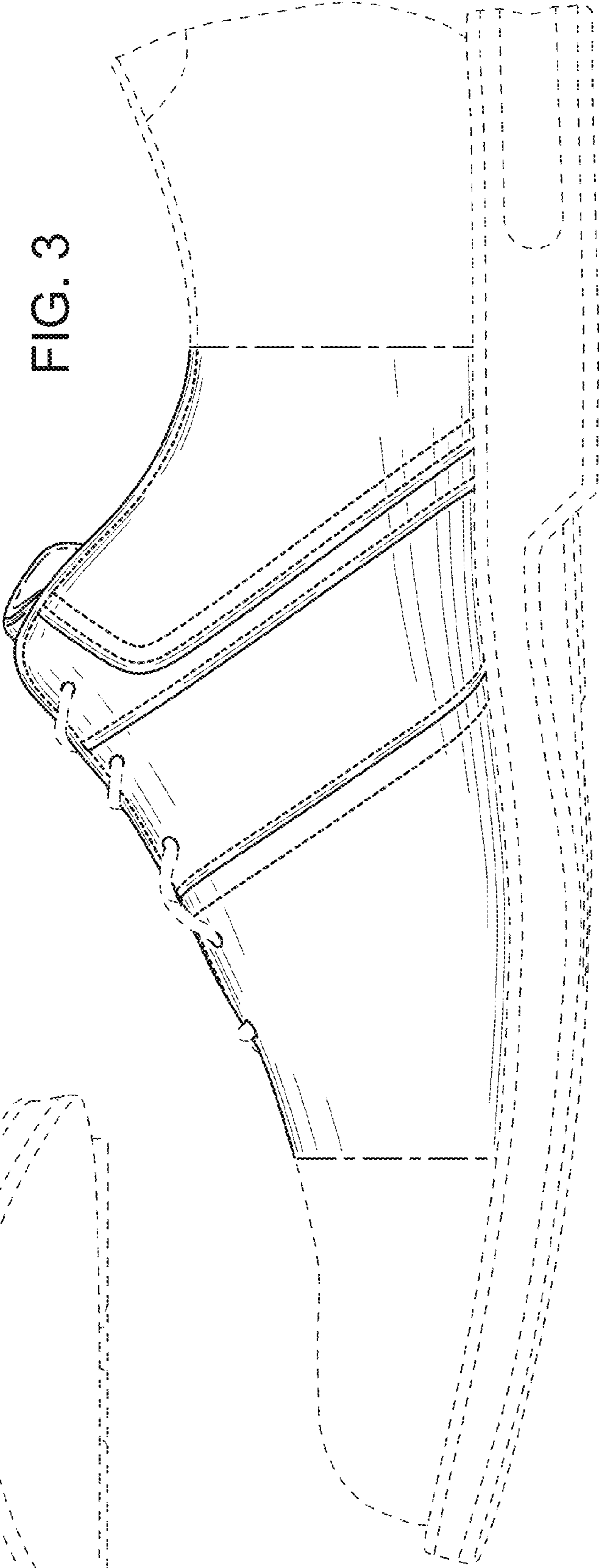


FIG. 3

FIG. 4

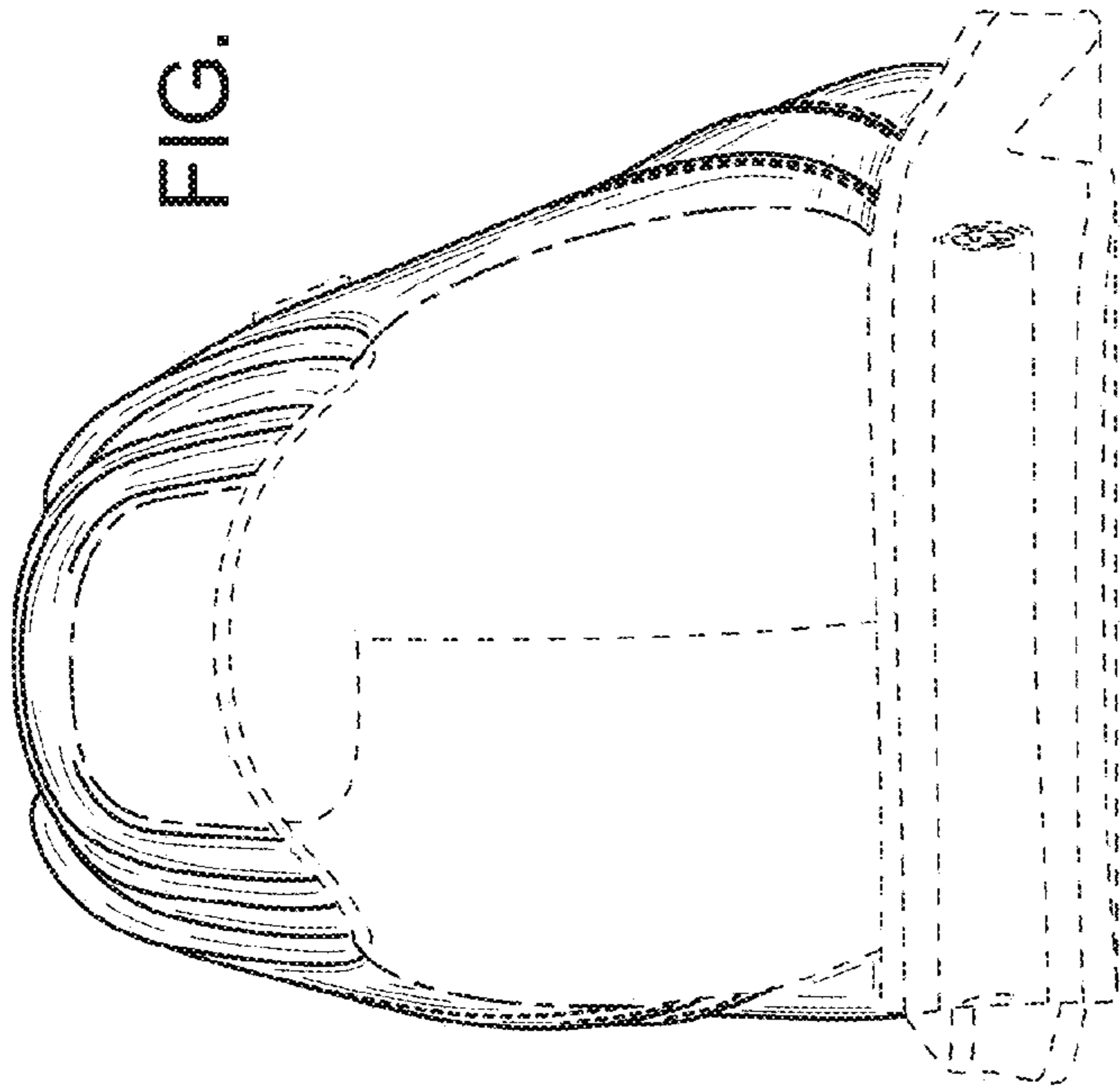
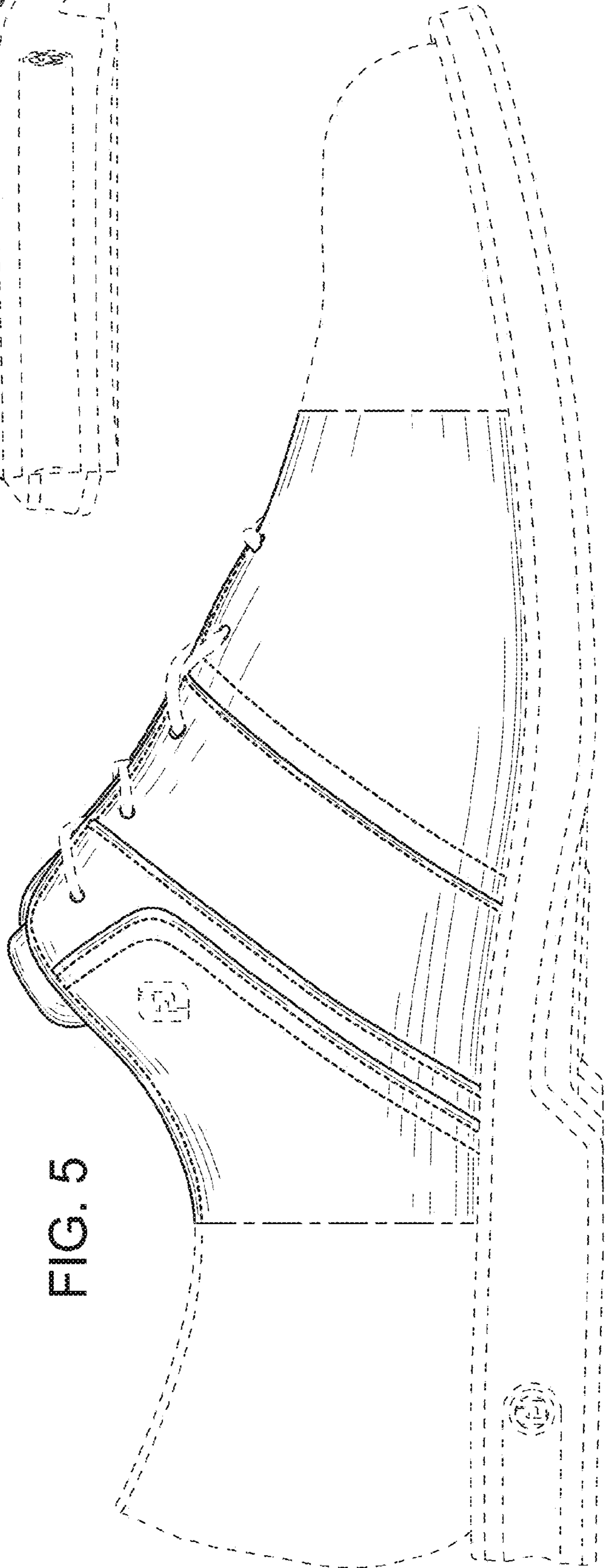


FIG. 5



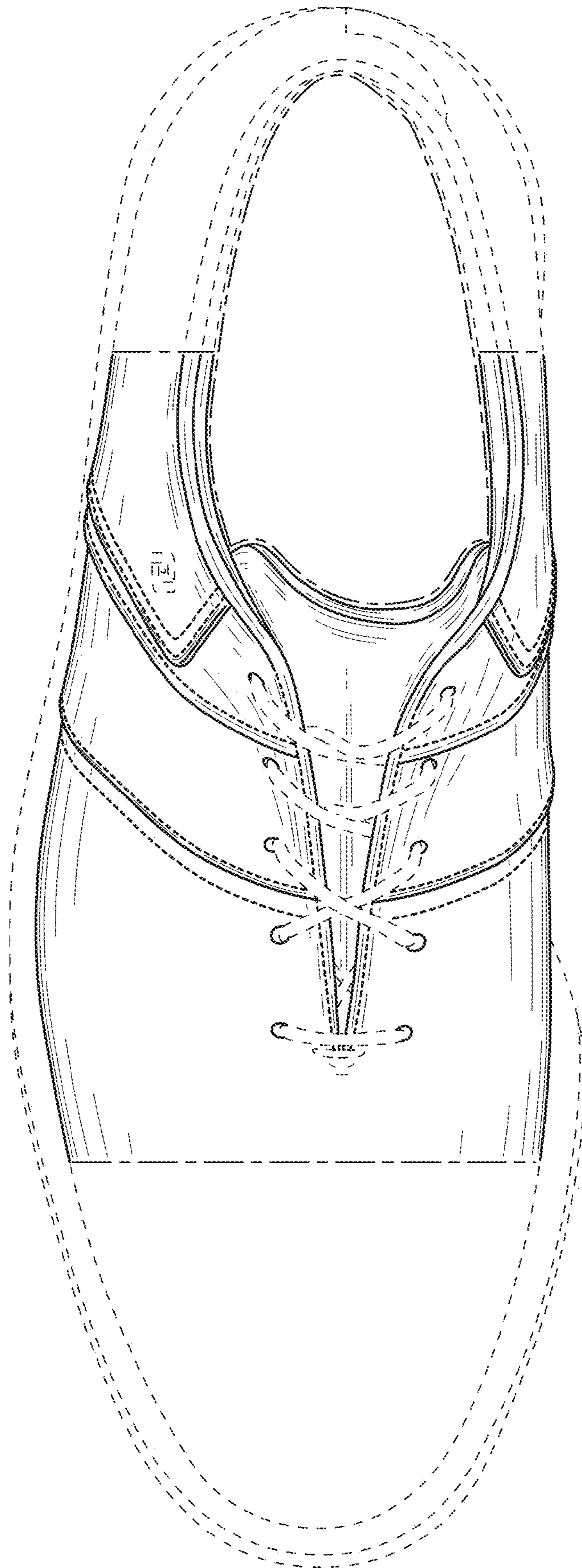


FIG. 6

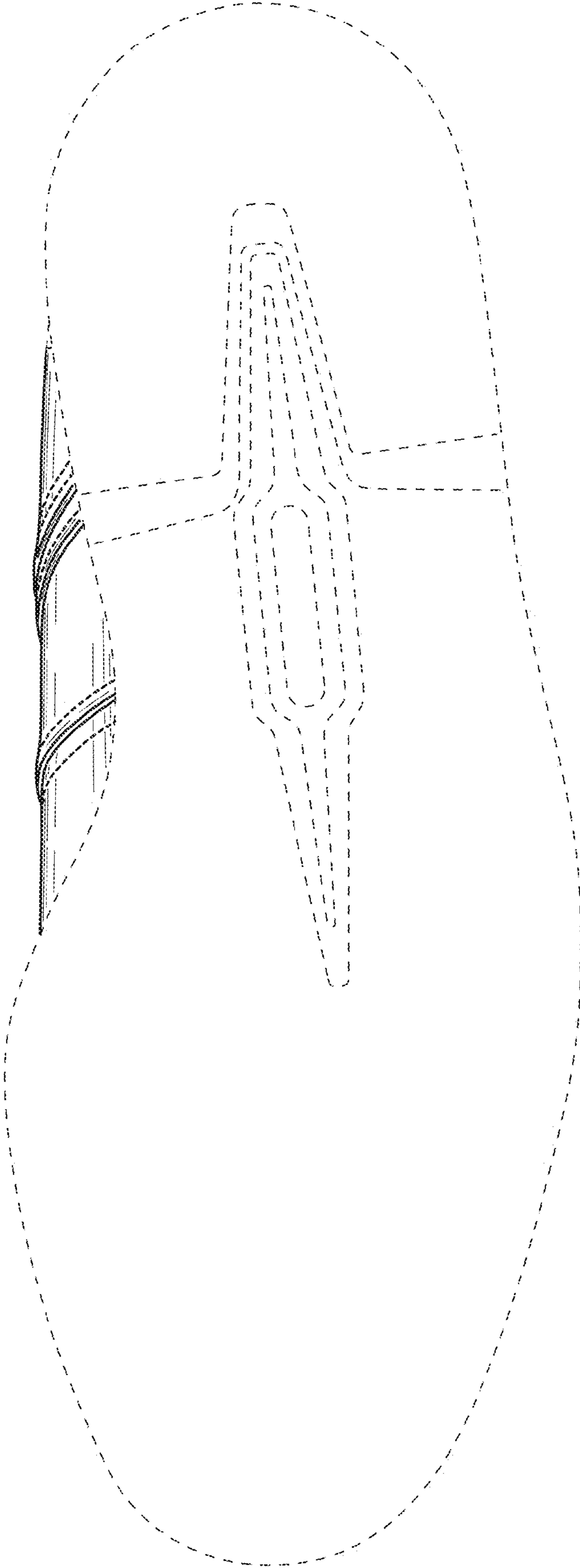
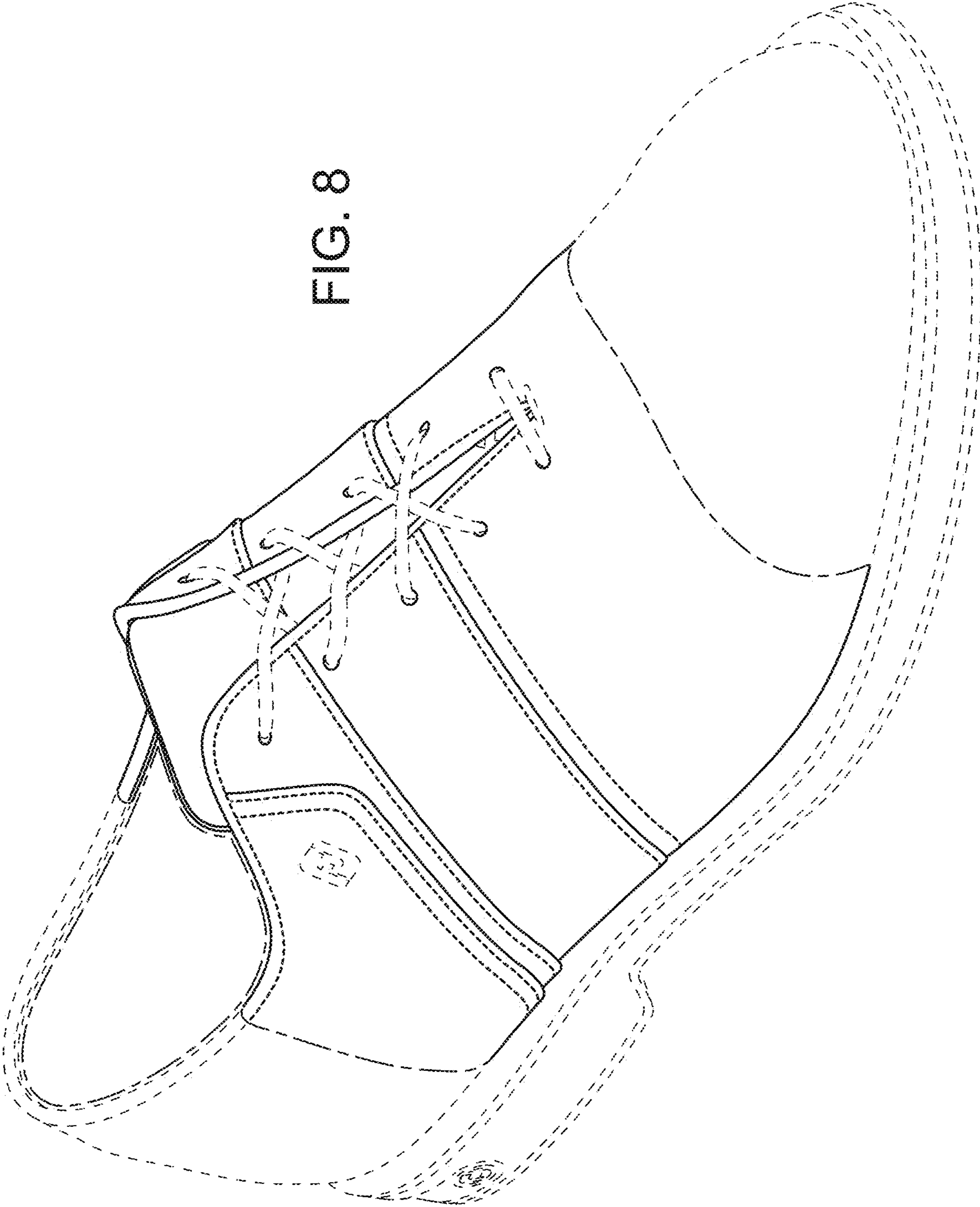


FIG. 7

FIG. 8



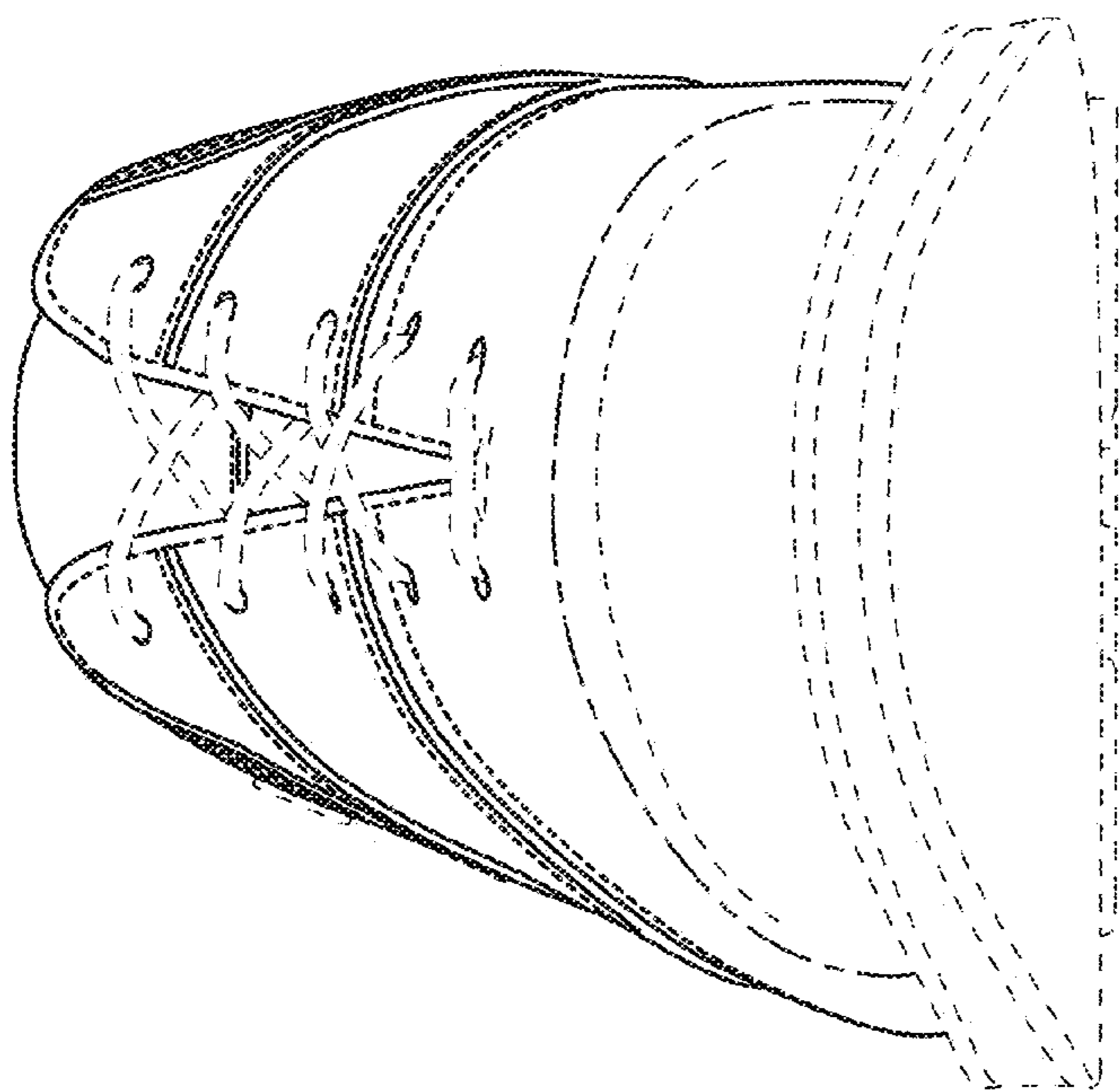


FIG. 9

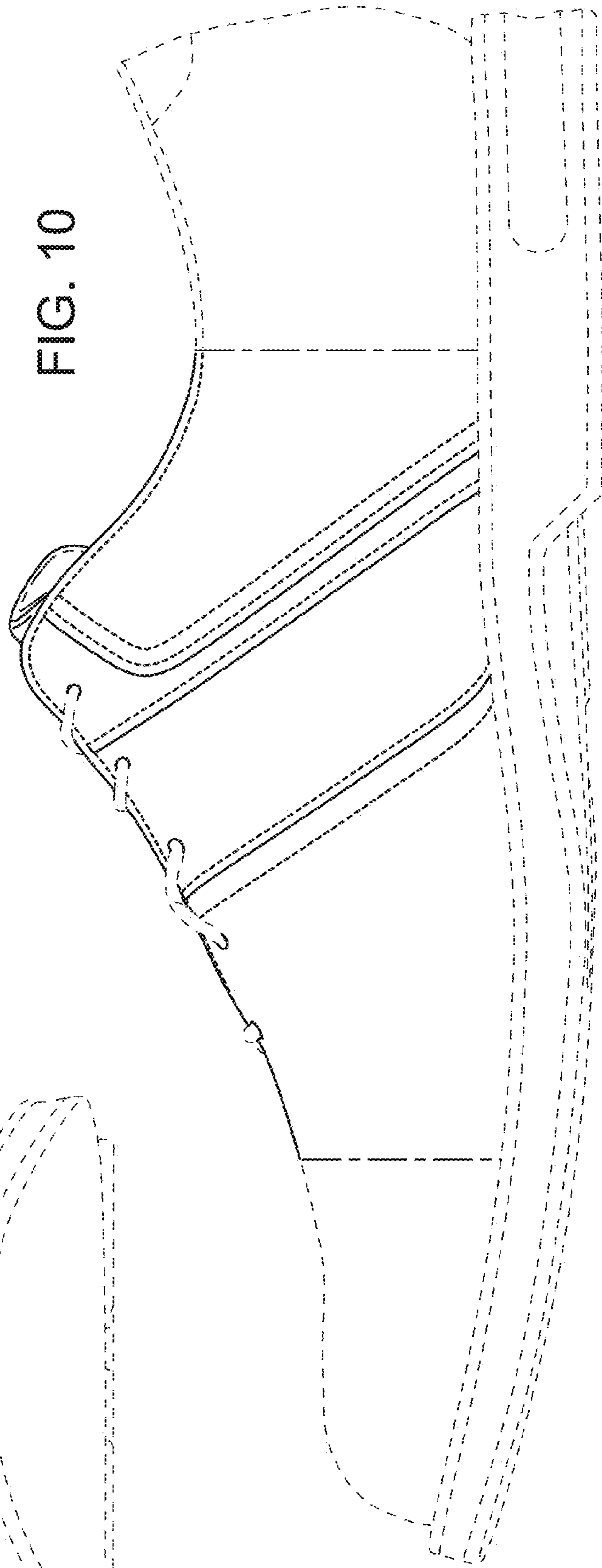


FIG. 10

FIG. 11

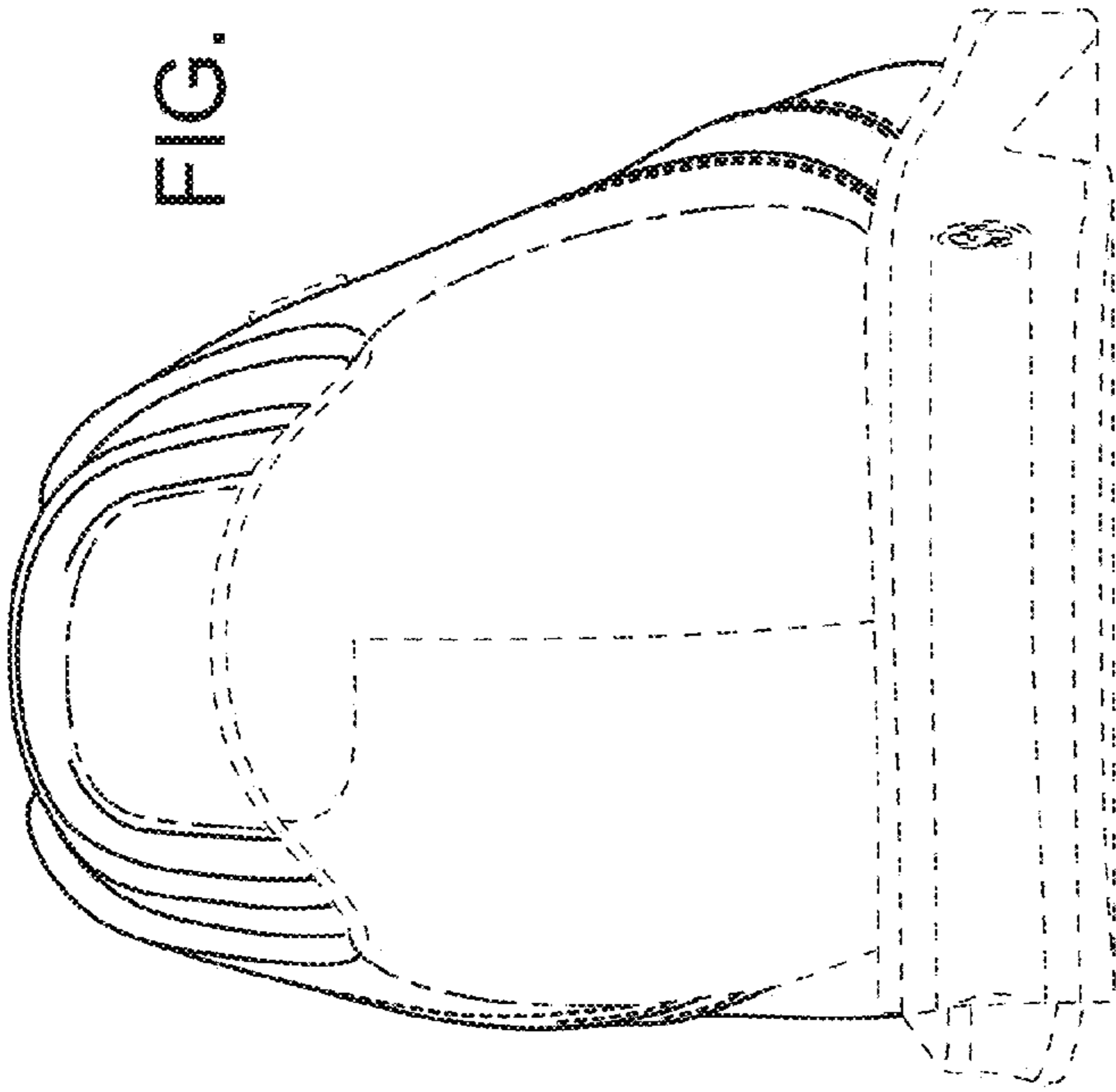
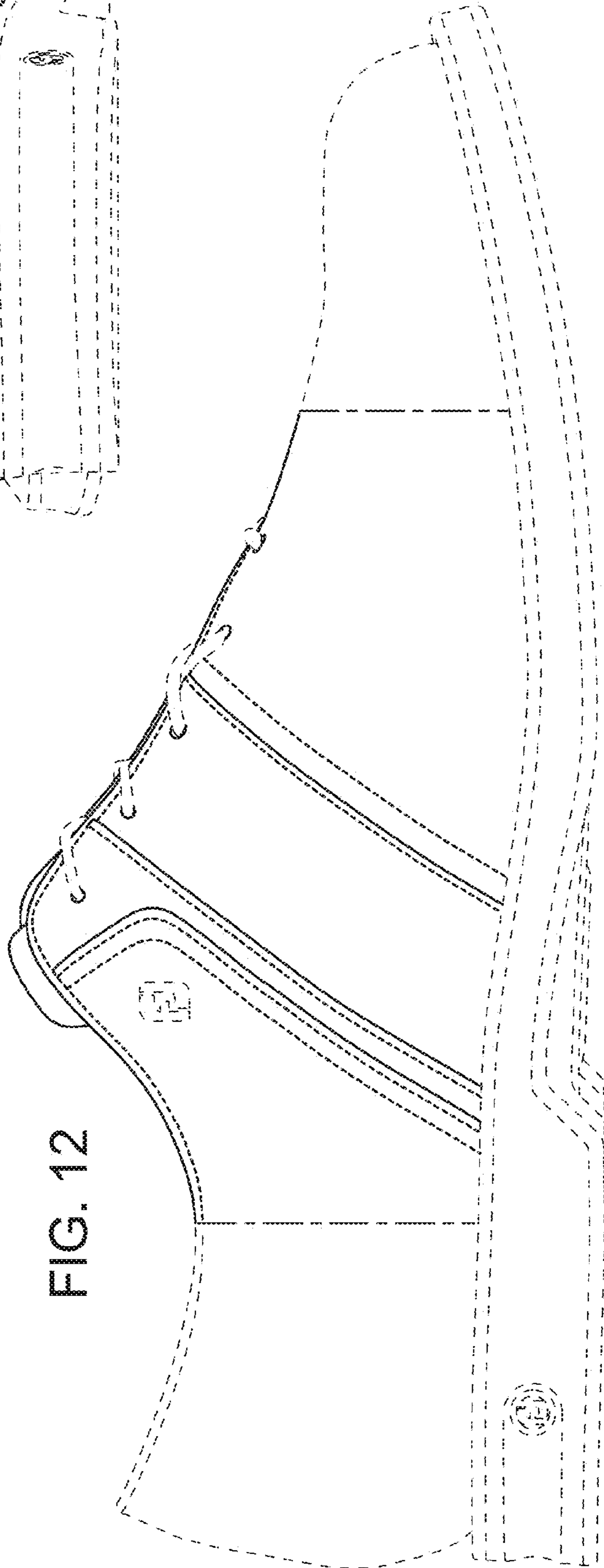


FIG. 12



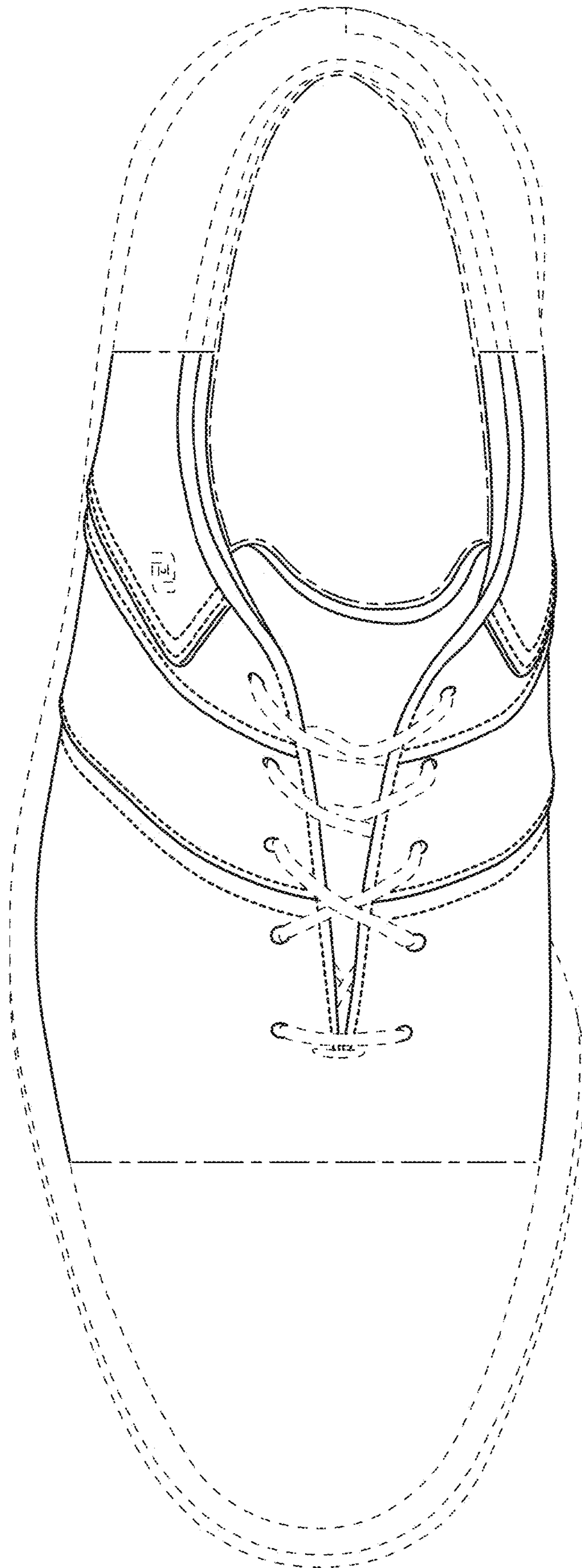


FIG. 13

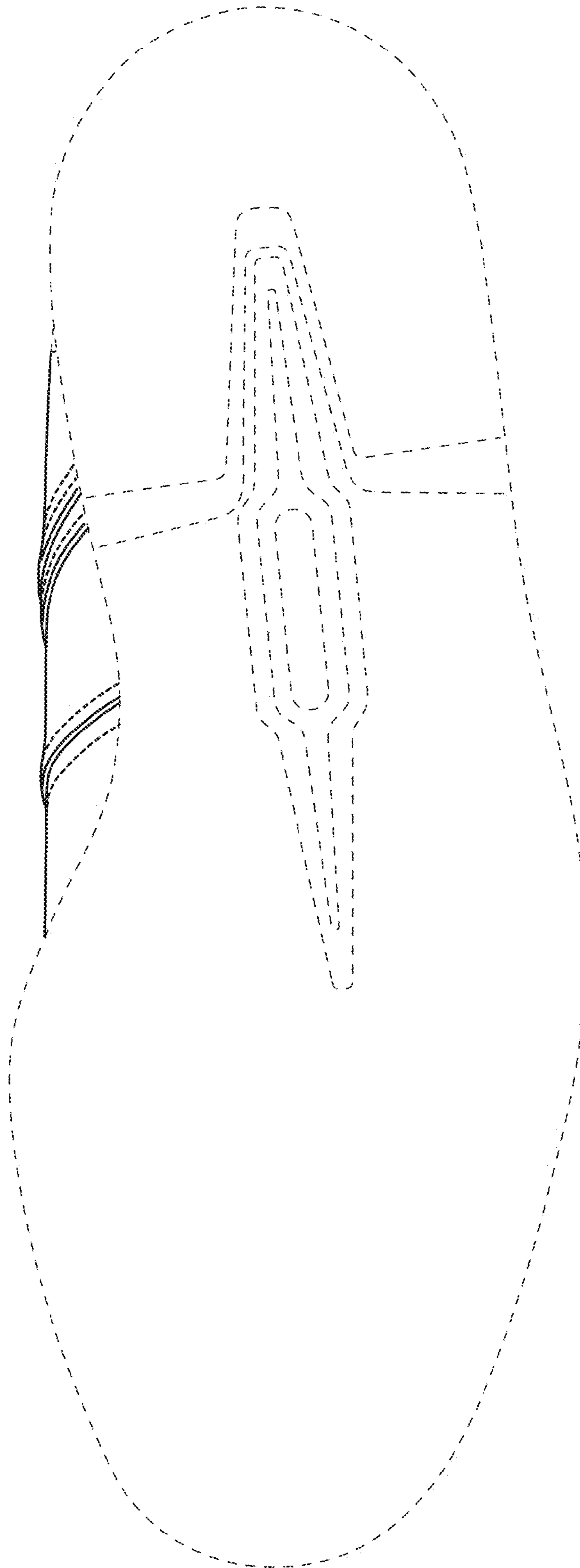


FIG. 14