



US00D943913S

(12) **United States Design Patent**
Kroshinskaya

(10) **Patent No.:** **US D943,913 S**
(45) **Date of Patent:** **** Feb. 22, 2022**

(54) **FOOTWEAR UPPER**

(71) Applicant: **Target Brands, Inc.**, Minneapolis, MN (US)

(72) Inventor: **Masha Kroshinskaya**, Minneapolis, MN (US)

(73) Assignee: **Target Brands, Inc.**, Minneapolis, MN (US)

(**) Term: **15 Years**

(21) Appl. No.: **29/746,638**

(22) Filed: **Aug. 14, 2020**

(51) **LOC (13) Cl.** **02-04**

(52) **U.S. Cl.**
USPC **D2/969**

(58) **Field of Classification Search**
USPC D2/896, 900, 902, 904, 906-908, D2/916-924, 925-945, 969, 970-979; 36/1.5, 3 A, 83, 45, 99, 101, 112-116, 36/136

CPC A43B 23/00; A43B 23/02; A43B 23/04; A43B 23/07; A43B 23/024; A43B 23/0245; A43B 23/025; A43B 23/026; A43B 23/265; A43B 23/14; A43B 23/16; A43B 23/24; A43B 23/26; A43B 5/00; A43B 5/001; A43B 5/002; A43B 5/003; A43B 5/008; A43B 5/06; A43B 5/08; A43B 5/10; A43B 5/12; A43B 5/14; A43B 5/145;

(Continued)

(56) **References Cited**

U.S. PATENT DOCUMENTS

D135,155 S * 3/1943 Huff D2/916
D158,653 S * 5/1950 Fenlason D2/916

(Continued)

FOREIGN PATENT DOCUMENTS

CA 2514808 C 2/2007
CN 205492741 8/2016

(Continued)

OTHER PUBLICATIONS

Men's SOLR Sandal, KeenFootwear.com, [online], [site visited Aug. 12, 2021]. <URL: <https://www.keenfootwear.com/en-ca/p/M-SOLR-SANDAL.html>> (Year: 2021).*

(Continued)

Primary Examiner — T Chase Nelson

Assistant Examiner — Jonathan J Han

(74) *Attorney, Agent, or Firm* — Merchant & Gould P.C.

(57) **CLAIM**

The ornamental design for a footwear upper, as shown and described.

DESCRIPTION

FIG. 1 is front, top and right side perspective view of a footwear upper according to the new design;

FIG. 2 is a bottom and right side perspective view of the embodiment of FIG. 1;

FIG. 3 is a right side elevation view of the embodiment of FIG. 1;

FIG. 4 is a left side elevation view of the embodiment of FIG. 1;

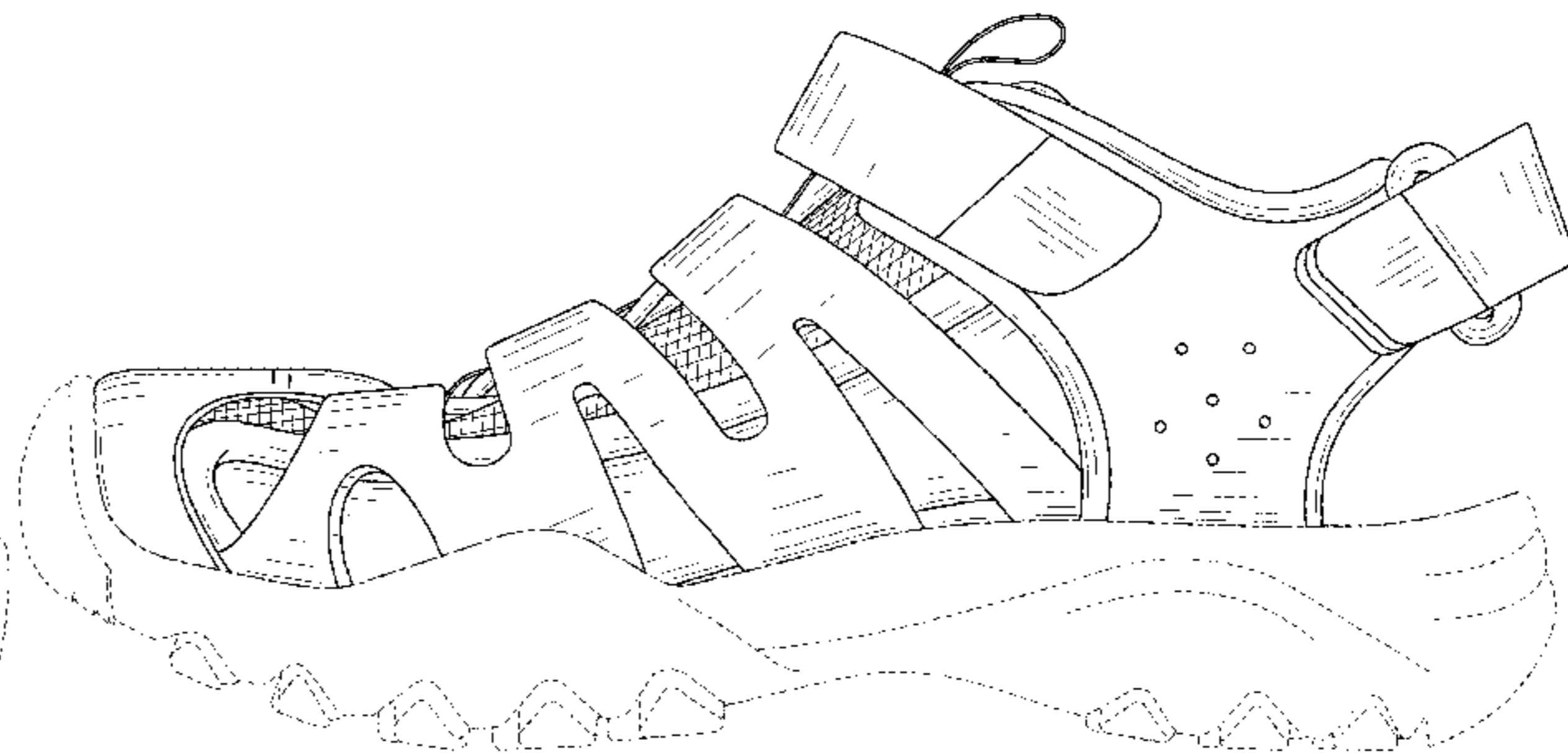
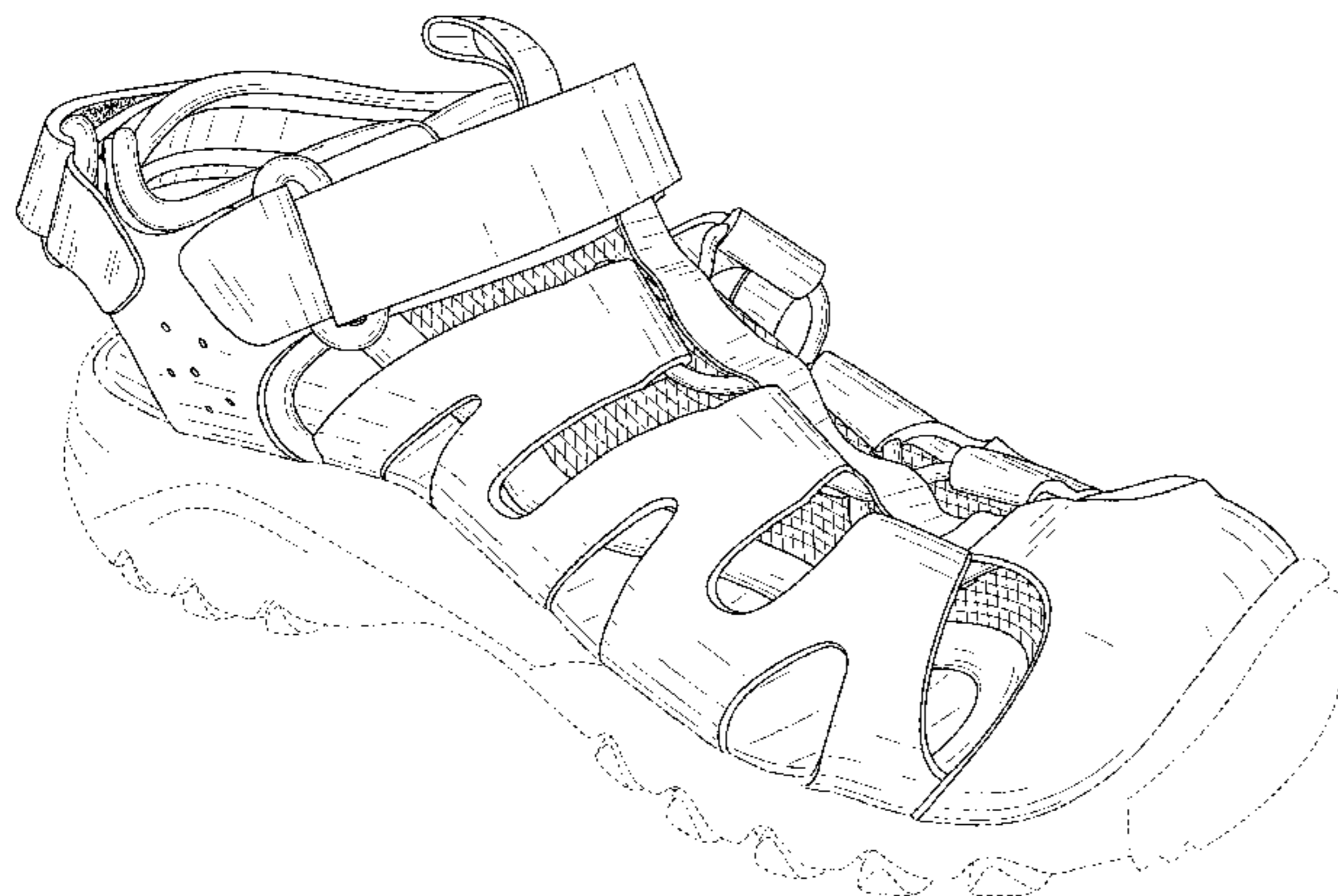
FIG. 5 is a front elevation view of the embodiment of FIG. 1;

FIG. 6 is a back elevation view of the embodiment of FIG. 1;

FIG. 7 is a top plan view of the embodiment of FIG. 1; and,

FIG. 8 is a bottom plan view of the embodiment of FIG. 1. The broken lines in the drawings form no part of the claimed design. The dot-dash-dot lines show boundaries of the claimed design and form no part thereof.

1 Claim, 8 Drawing Sheets



(58) **Field of Classification Search**

CPC A43B 1/00; A43B 1/02; A43B 1/04; A43B 1/0045; A43B 3/12; A43B 7/00; A43B 9/00; A43B 9/08; A43B 9/14; A43B 9/16; A43B 11/00; A43B 21/00; A43B 21/02; A43B 21/04; A43B 21/06; A43C 1/00; A43C 1/003; A43C 1/06; A43C 3/00; A43C 5/00; A43C 7/00; A43C 11/00

See application file for complete search history.

7,823,299 B1 11/2010 Brigham
 8,460,593 B2 6/2013 Fogg et al.
 D698,532 S * 2/2014 Mochen D2/902
 D702,023 S * 4/2014 Jacobs D2/902
 8,839,529 B1 9/2014 Levy
 D730,021 S * 5/2015 Conchieri D2/902
 D768,364 S * 10/2016 Chanthavong D2/923
 D769,587 S * 10/2016 Chanthavong D2/907
 9,468,252 B2 10/2016 Dematteo
 9,955,755 B2 5/2018 Heid
 D829,418 S * 10/2018 Lee A43B 23/0295
 D2/900

(56) **References Cited**

U.S. PATENT DOCUMENTS

4,200,997 A 5/1980 Scheinhaus et al.
 4,275,512 A 6/1981 Zeligman et al.
 4,300,294 A 11/1981 Riecken
 4,446,633 A 5/1984 Scheinhaus et al.
 4,793,075 A 12/1988 Thatcher
 4,817,302 A 4/1989 Saltsman
 4,869,000 A 9/1989 York, Jr.
 4,967,750 A 11/1990 Cherniak
 5,056,241 A 10/1991 Young
 5,205,054 A 4/1993 York, Jr.
 5,423,134 A 6/1995 Bagnaia et al.
 5,465,506 A 11/1995 Matis et al.
 5,533,278 A 7/1996 Stein
 5,561,919 A 10/1996 Gill
 RE35,452 E 2/1997 Sargeant
 5,687,492 A 11/1997 Muraoka
 5,836,090 A 11/1998 Smith
 5,901,394 A 5/1999 Greenawalt
 6,021,585 A 2/2000 Cole
 6,052,920 A 4/2000 Bathum
 6,237,250 B1 5/2001 Aguerre
 D447,859 S * 9/2001 Matis D2/902
 6,543,157 B2 4/2003 Pan
 6,606,803 B1 8/2003 Ritter et al.
 6,637,130 B2 10/2003 Urie et al.
 6,694,641 B1 2/2004 Gill
 6,772,541 B1 8/2004 Ritter et al.
 D511,883 S * 11/2005 Matis D2/969
 D514,294 S * 2/2006 Matis D2/969
 D526,768 S * 8/2006 Keen D2/916
 D528,270 S * 9/2006 Keen D2/916
 D528,273 S * 9/2006 Keen D2/916
 7,103,993 B2 9/2006 Sakai
 D534,718 S * 1/2007 Keen D2/969
 D538,522 S * 3/2007 Keen D2/969
 D547,936 S * 8/2007 Masullo D2/969
 7,320,189 B2 * 1/2008 Clark A43B 3/24
 36/50.1
 D574,592 S * 8/2008 St-Louis D2/969
 D574,593 S * 8/2008 St-Louis D2/969
 D574,594 S * 8/2008 St-Louis D2/969
 D575,492 S * 8/2008 St-Louis D2/969
 D577,885 S * 10/2008 Banik D2/969
 D588,350 S * 3/2009 Amphyon D2/972
 D593,294 S * 6/2009 St-Louis D2/969
 D593,302 S * 6/2009 St-Louis D2/969
 D593,305 S * 6/2009 St-Louis D2/969
 7,794,417 B1 9/2010 Zimmerman

10,278,454 B2 5/2019 Kohatsu et al.
 D851,368 S * 6/2019 Fuerst, Sr. D2/916
 D882,217 S * 4/2020 Zhang D2/916
 D909,020 S * 2/2021 Gvasalia D2/907
 D909,025 S * 2/2021 Fuerst, Sr. D2/916
 D919,248 S * 5/2021 Post D2/916
 D919,252 S * 5/2021 Post D2/916
 D919,943 S * 5/2021 Zhang D2/916
 D926,455 S * 8/2021 Driscoll D2/969
 2006/0059712 A1 5/2006 Asham
 2006/0288610 A1 12/2006 Laska et al.
 2009/0313854 A1 12/2009 Clarke
 2010/0242305 A1 9/2010 Liu
 2012/0124860 A1 5/2012 Waddel
 2017/0143071 A1 5/2017 Huang et al.
 2017/0360142 A1 12/2017 Griffin
 2019/0350304 A1 11/2019 Velazquez et al.

FOREIGN PATENT DOCUMENTS

CN 109645617 A 4/2019
 CN 209403674 U 9/2019
 FR 3057741 B3 4/2018
 GB 2046077 11/1980
 GB 2377615 B 1/2003
 GB 2550880 A 12/2017
 JP 3217949 9/2018
 KR 100719159 B1 5/2007
 KR 20100038481 A 4/2010
 KR 20160147227 12/2016
 WO WO 2012/031801 3/2012

OTHER PUBLICATIONS

Merrell Women's Hydrotrekker Hiking Sandals, Sportsmans.com, [online], [site visited Aug. 12, 2021]. <URL: <https://www.sportsmans.com/footwear-outdoor-casual-men-women-youth/womens/womens-hiking-boots/merrell-womens-hydrotrekker-hiking-sandals/p209019>> (Year: 2021).*

Sonoma Goods For Life Teleport Boys' Fisherman Sandals, Kohls.com, [online], [site visited Aug. 12, 2021]. <URL: [https://www.kohls.com/product/prd-4173973/sonoma-goods-for-life-teleport-boys-fisherman-sandals.jsp?skuid=51653286&CID=shopping30&utm_campaign=KIDS \(Year: 2021\)%20DRS/CAS/SPTSHOE&utm_medium=CSE&utm_source=google&utm_product=51653286&utm_campaignid=9836151815&gclid=EAlalQobChMlw4iiusys8gIVx8izCh2LHgVsEAKYBSABEgLz8fd_BwE&gclidsrc=aw.ds](https://www.kohls.com/product/prd-4173973/sonoma-goods-for-life-teleport-boys-fisherman-sandals.jsp?skuid=51653286&CID=shopping30&utm_campaign=KIDS (Year: 2021)%20DRS/CAS/SPTSHOE&utm_medium=CSE&utm_source=google&utm_product=51653286&utm_campaignid=9836151815&gclid=EAlalQobChMlw4iiusys8gIVx8izCh2LHgVsEAKYBSABEgLz8fd_BwE&gclidsrc=aw.ds)>.*

* cited by examiner

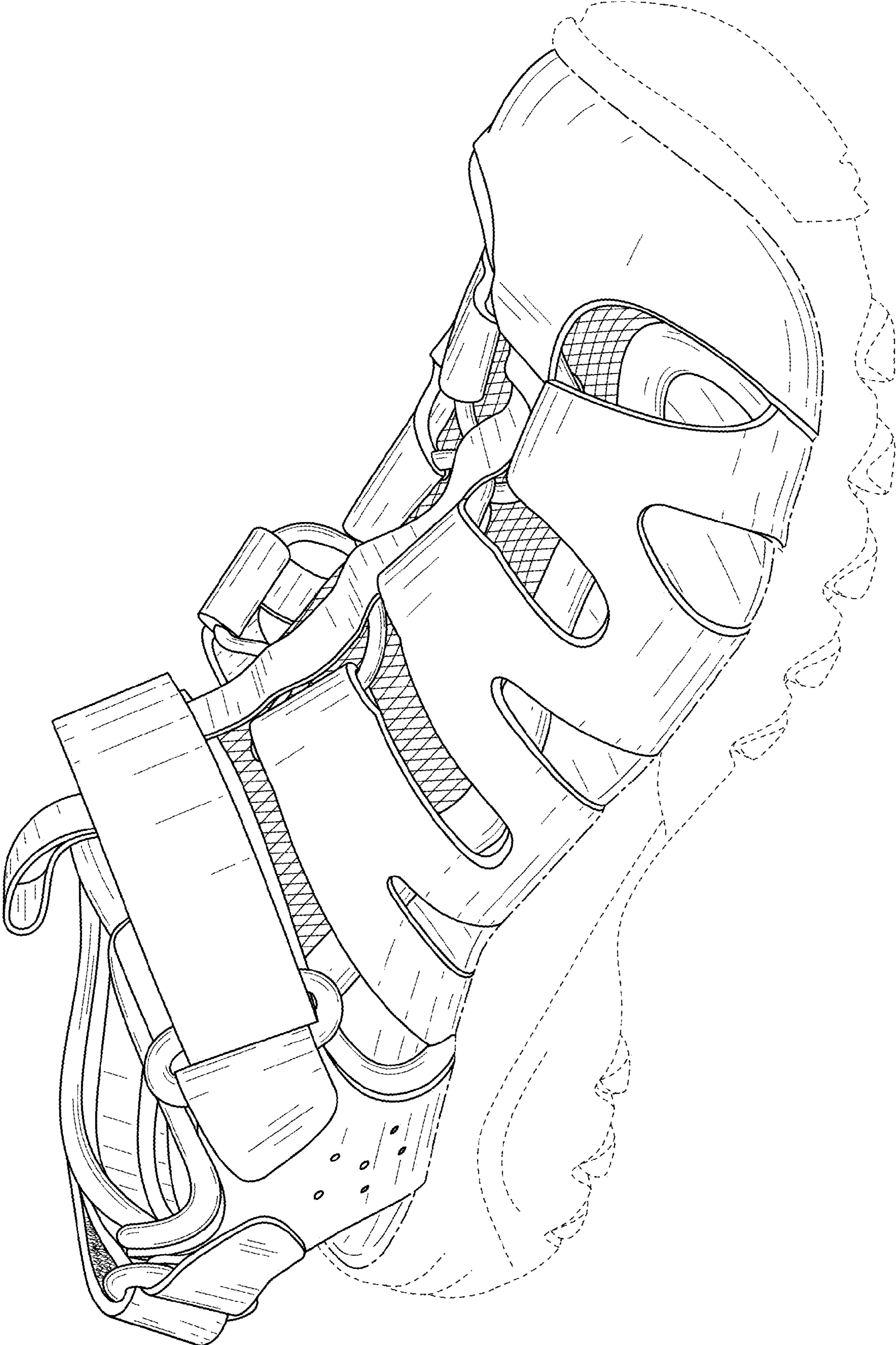


FIG. 1

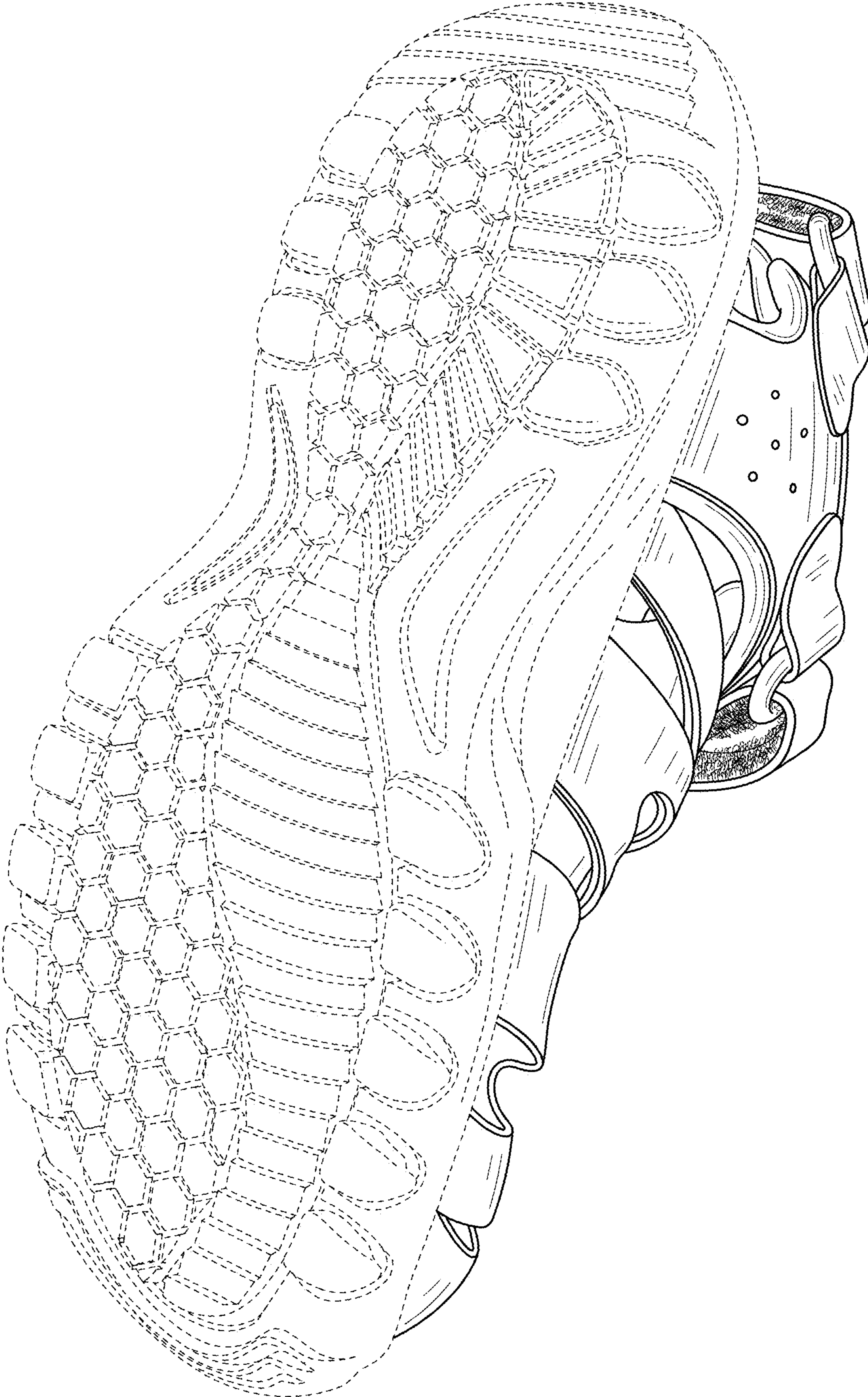


FIG. 2

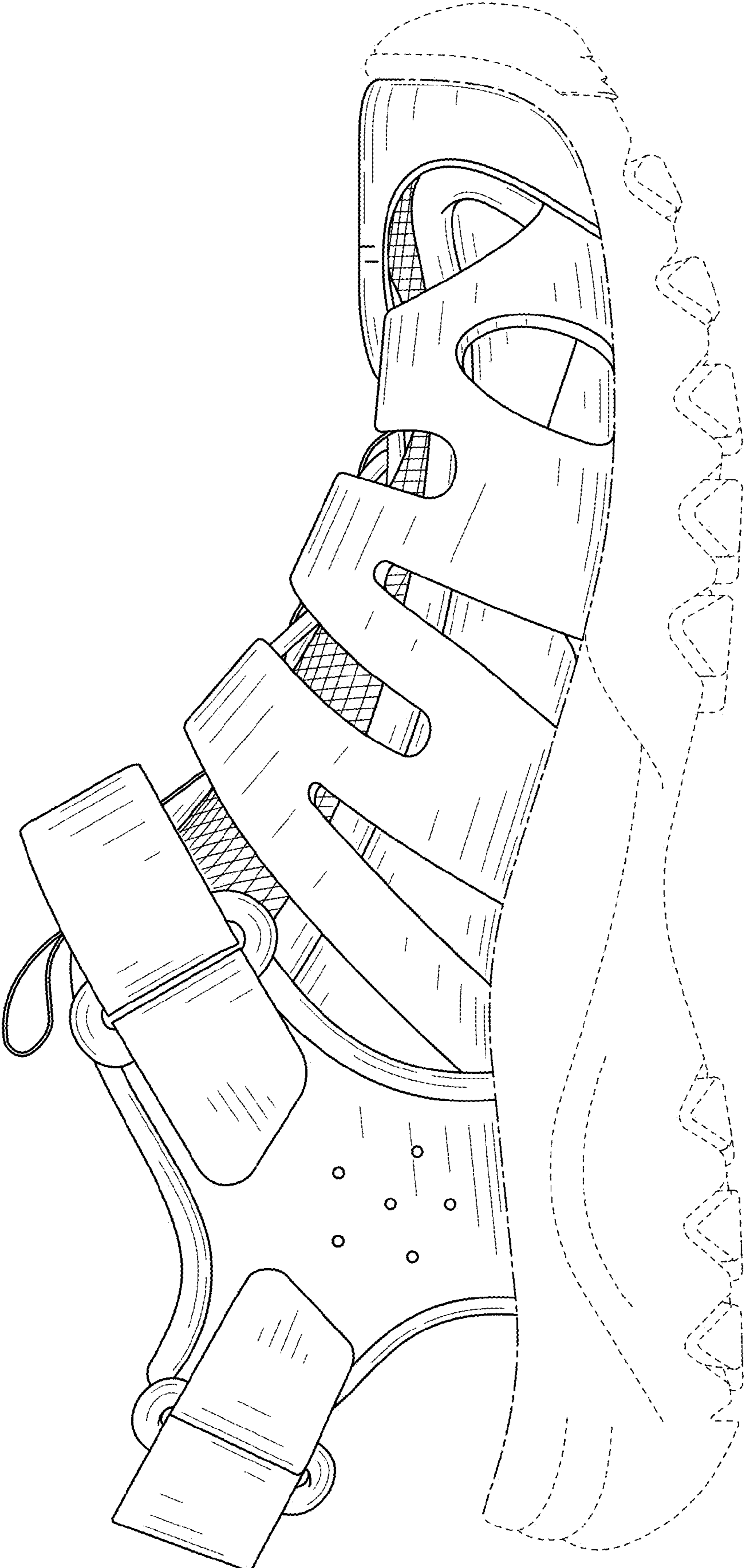


FIG. 3

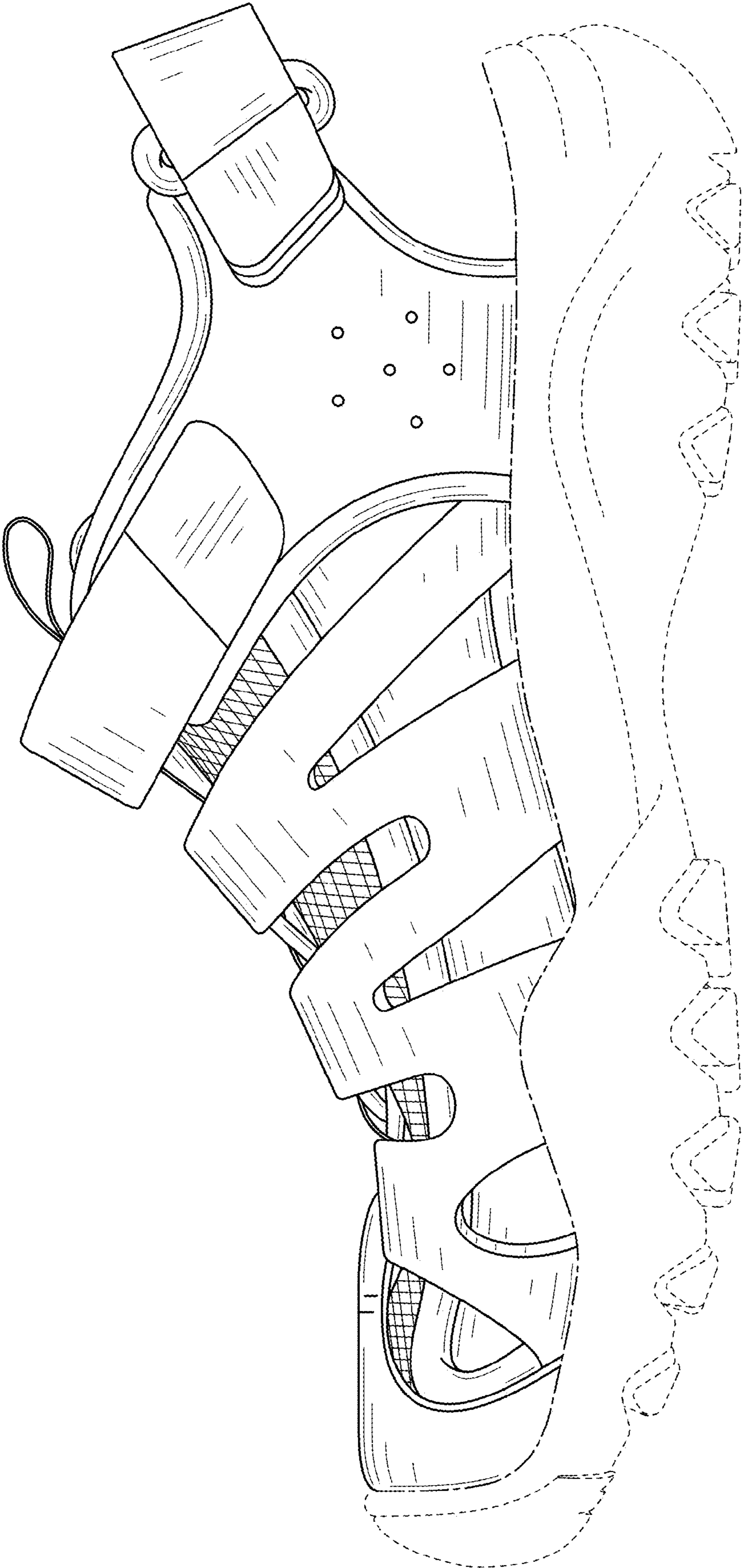


FIG. 4

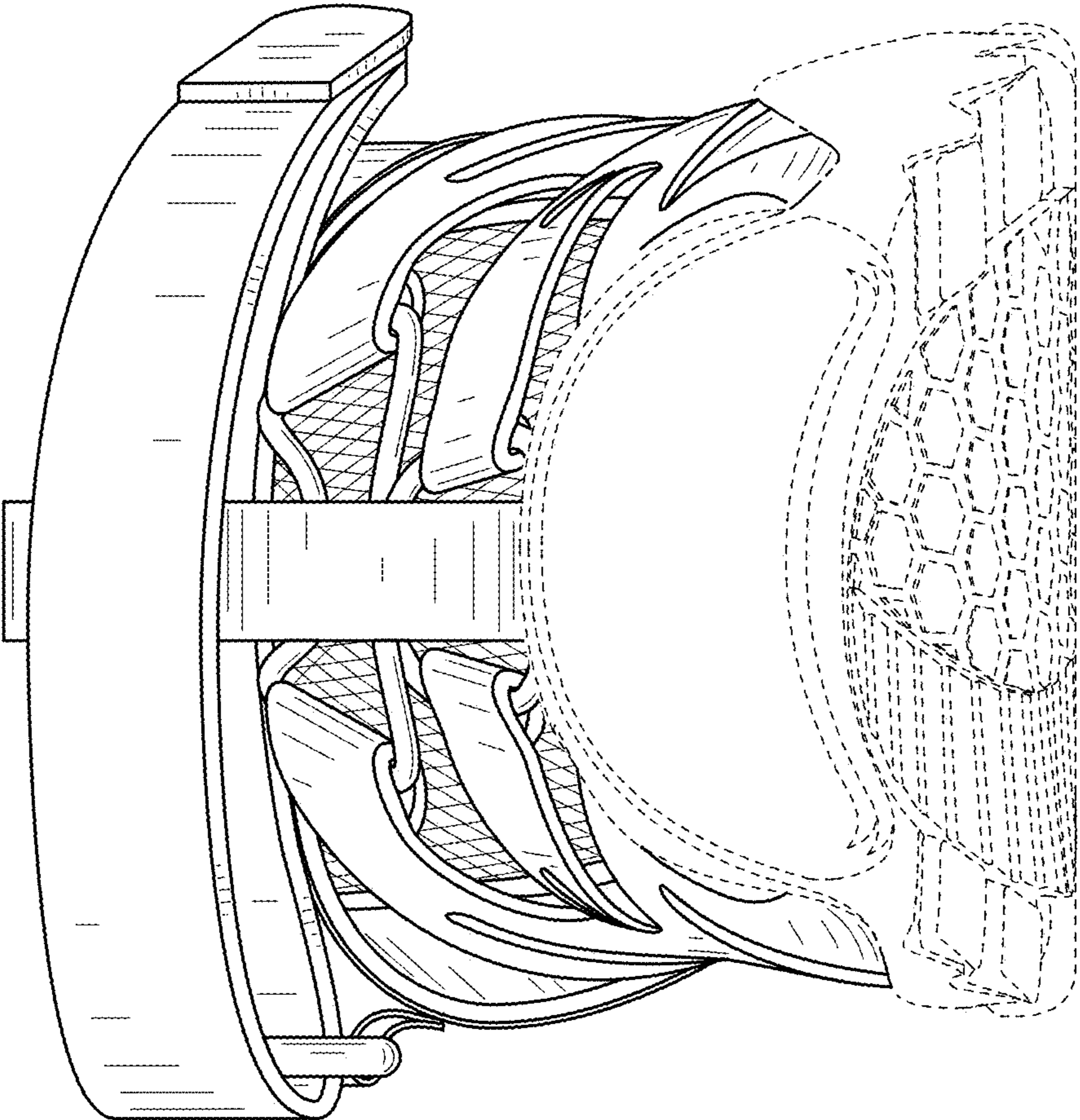


FIG. 5

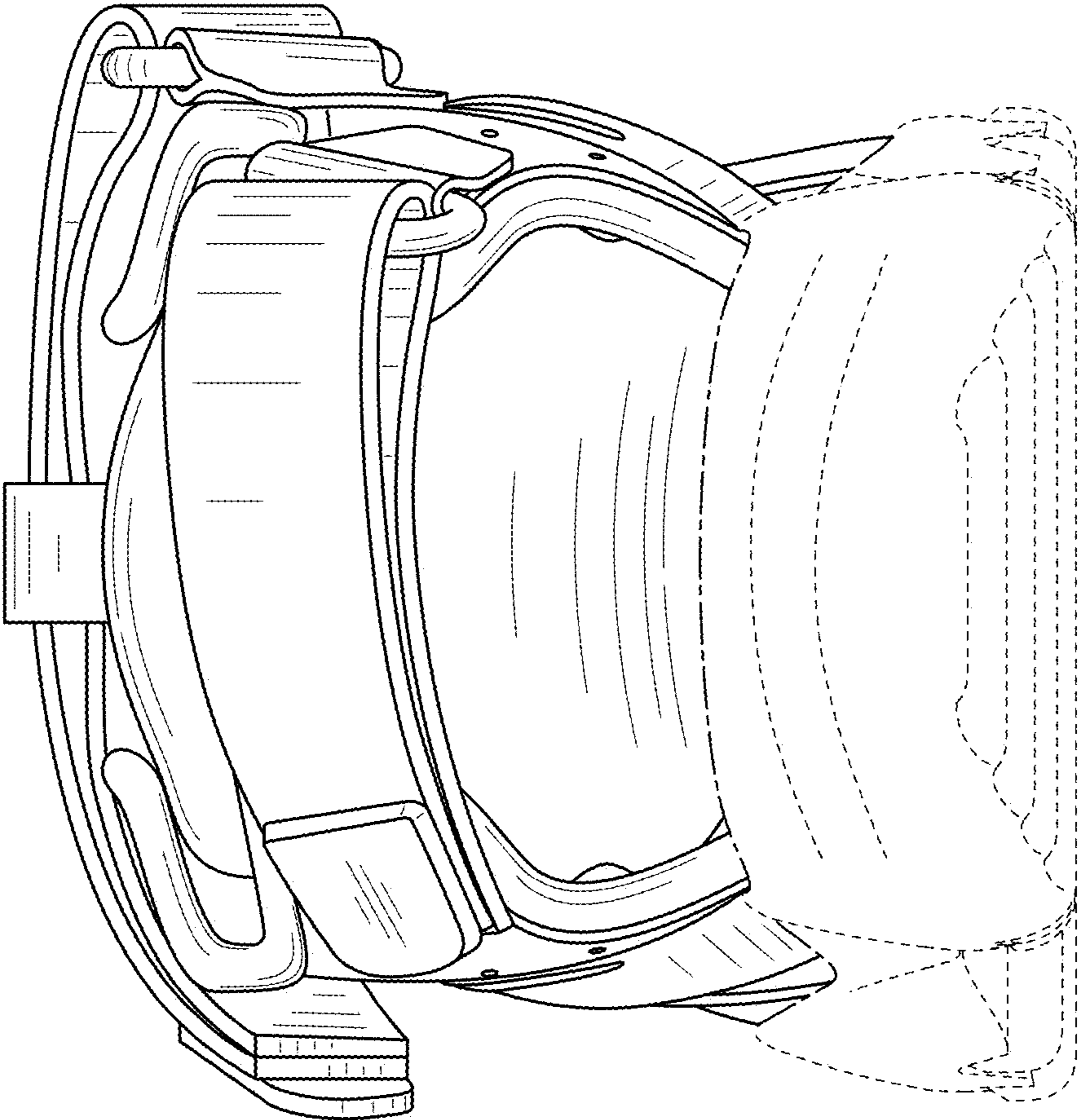


FIG. 6

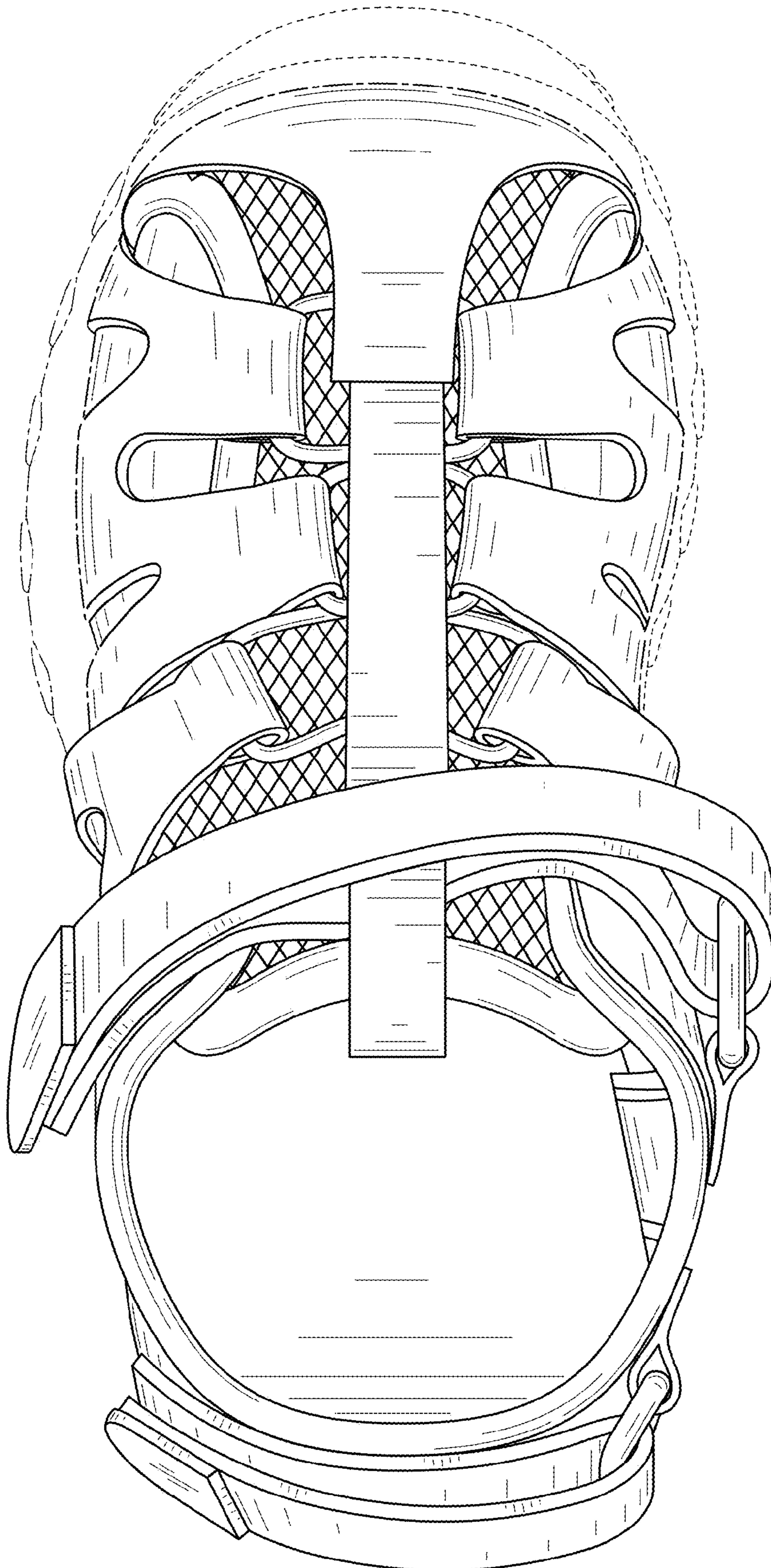


FIG. 7

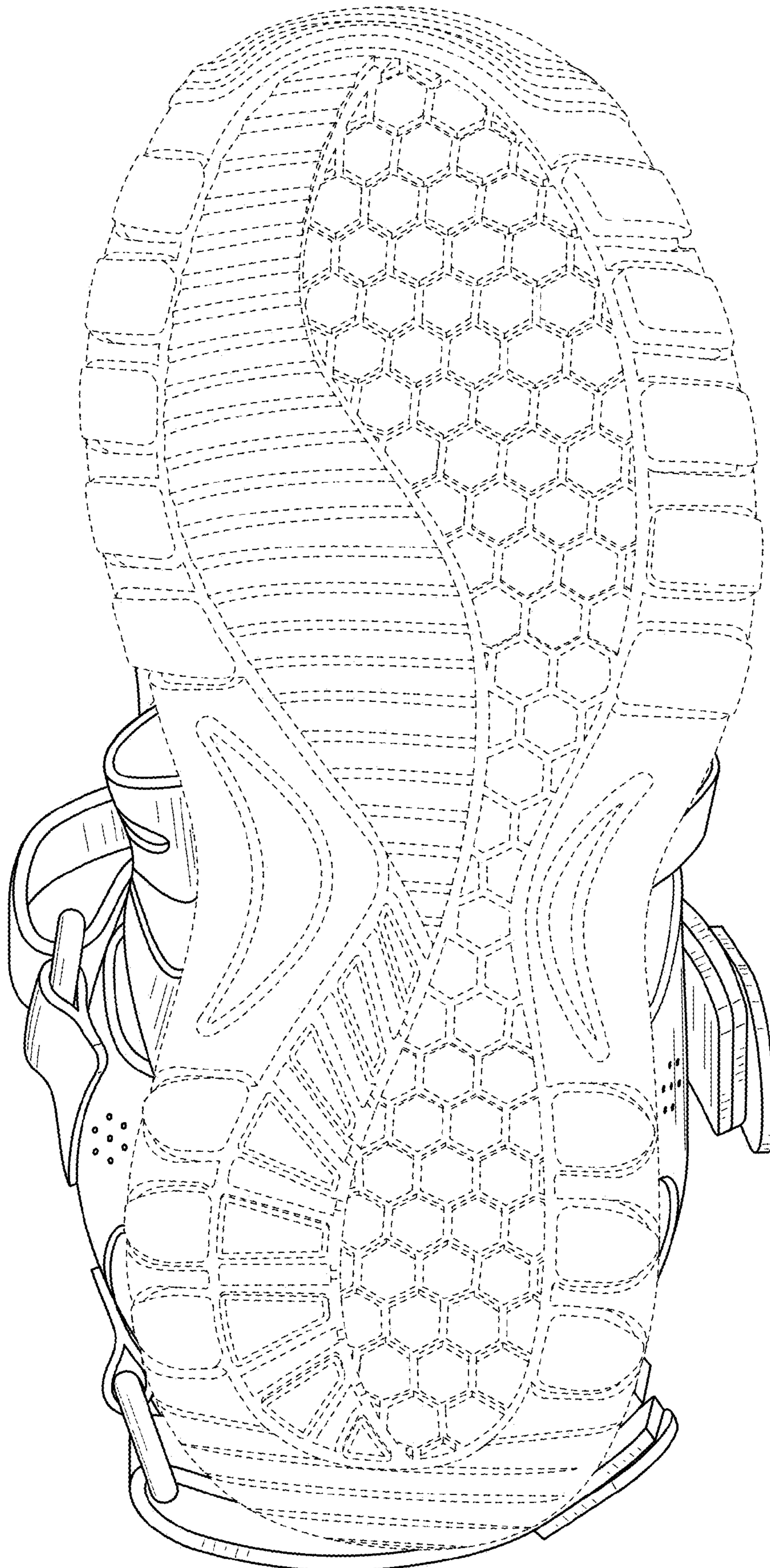


FIG. 8