



US00D943896S

(12) **United States Design Patent**
Schulten

(10) **Patent No.:** **US D943,896 S**

(45) **Date of Patent:** **** Feb. 22, 2022**

(54) **FOOTWEAR SOLE**

- (71) Applicant: **Wolverine Outdoors, Inc.**, Rockford, MI (US)
- (72) Inventor: **Louk B. J. A. Schulten**, Rockford, MI (US)
- (73) Assignee: **Wolverine Outdoors, Inc.**, Rockford, MI (US)
- (**) Term: **15 Years**
- (21) Appl. No.: **29/709,908**

- (22) Filed: **Oct. 18, 2019**
- (51) **LOC (13) Cl.** **02-04**
- (52) **U.S. Cl.**
USPC **D2/951; D2/955; D2/954; D2/960;**
D2/957; D2/947

- (58) **Field of Classification Search**
USPC D2/902, 906, 908, 916, 918, 925,
D2/946-962, 977; 36/1, 1.5, 3 B, 22 R,
36/24.5, 25 R, 28, 32 R, 34 R, 59 C,
36/67 A, 101-107, 114-116, 117.3, 117.4,
36/124-136
CPC A43B 13/00; A43B 13/02; A43B 13/023;
A43B 13/026; A43B 13/04; A43B 13/08;
A43B 13/10; A43B 13/12; A43B 13/14;
A43B 13/141; A43B 13/143; A43B
13/16; A43B 13/18; A43B 13/181; A43B
13/187; A43B 13/189; A43B 13/20; A43B
13/22; A43B 13/223; A43B 13/24; A43B
13/28; A43B 13/30; A43B 13/32; A43B
13/34; A43B 13/36

See application file for complete search history.

(56) **References Cited**

U.S. PATENT DOCUMENTS

- 1,550,772 A * 8/1925 James A43C 13/04
36/59 R
- D234,930 S 4/1975 Arambasic
- 4,314,220 A 2/1982 Ito et al.

(Continued)

OTHER PUBLICATIONS

Nike Unisex-Adult Precision Lii Basketball Shoe, Amazon.com, Date First Available: Jun. 14, 2019, [online], [site visited Apr. 9, 2021]. <URL: <https://www.amazon.com/Nike-Precision-lii-Basketball-Shoe/dp/B07T3MGCLM>> (Year: 2019).*

(Continued)

Primary Examiner — Jonathan J Han

(74) *Attorney, Agent, or Firm* — Warner Norcross + Judd LLP

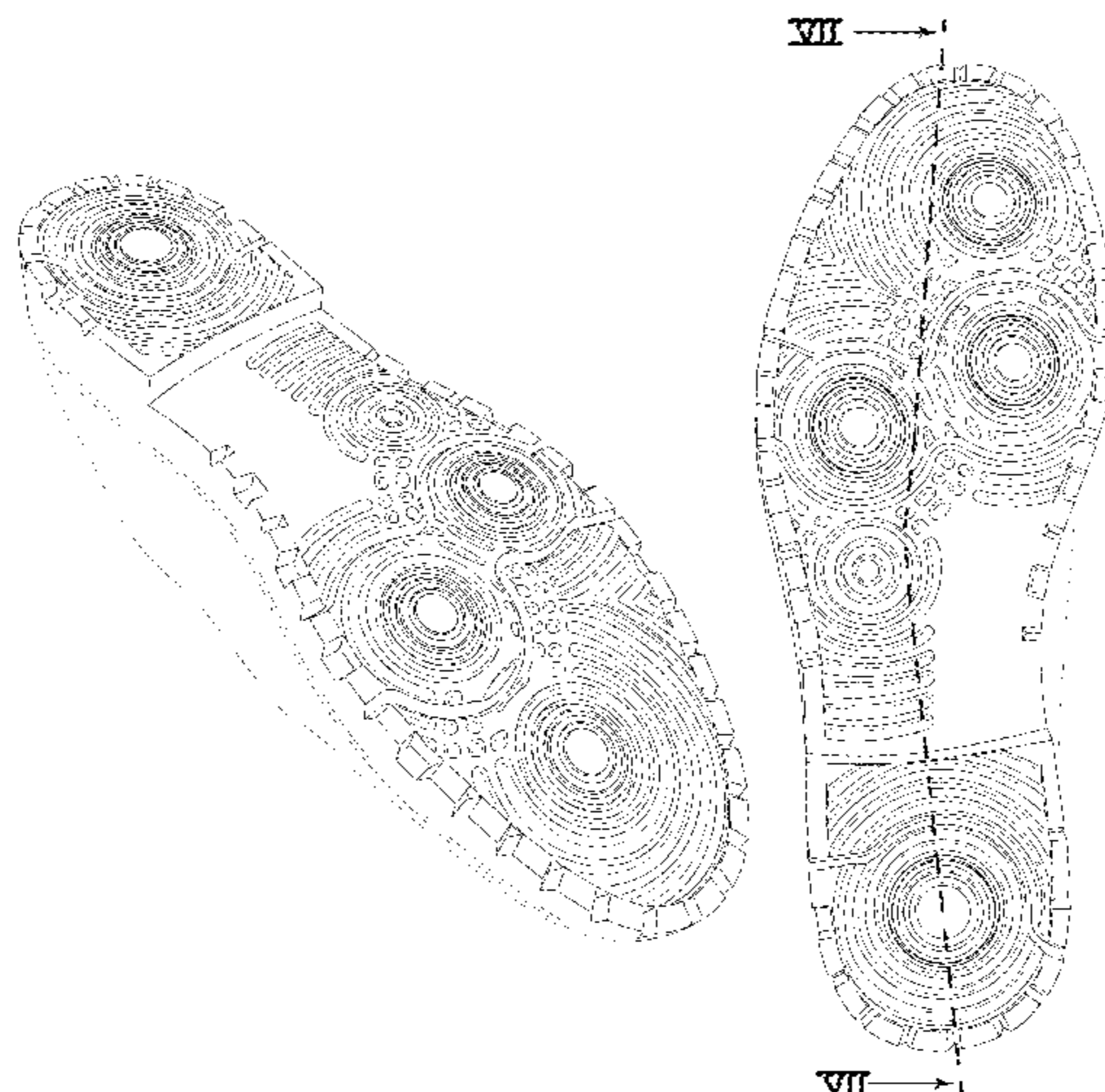
(57) **CLAIM**

The ornamental design for a footwear sole, as shown and described.

DESCRIPTION

FIG. 1 is a perspective view of the footwear sole embodying the new design;
 FIG. 2 is a bottom view thereof;
 FIG. 3 is a right side view thereof;
 FIG. 4 is a left side view thereof;
 FIG. 5 is a front view thereof;
 FIG. 6 is a rear view thereof; and,
 FIG. 7 is a sectional view of the footwear sole taken along line VII-VII of FIG. 2.
 FIGS. 1-7 show portions of an article of footwear in broken lines. The article of footwear portions illustrated in broken lines are shown for environmental purposes and do not form any part of the claimed design. Further, the broken lines immediately adjacent the solid-line portions of the design form the boundary of the design, with the broken lines forming no part of the claimed design. The sectional view of FIG. 7 shows hatched internal regions, which do not form part of the claimed design.

1 Claim, 6 Drawing Sheets



(56)

References Cited

OTHER PUBLICATIONS

Illustrations of footwear available at least as early as Oct. 17, 2019.

* cited by examiner

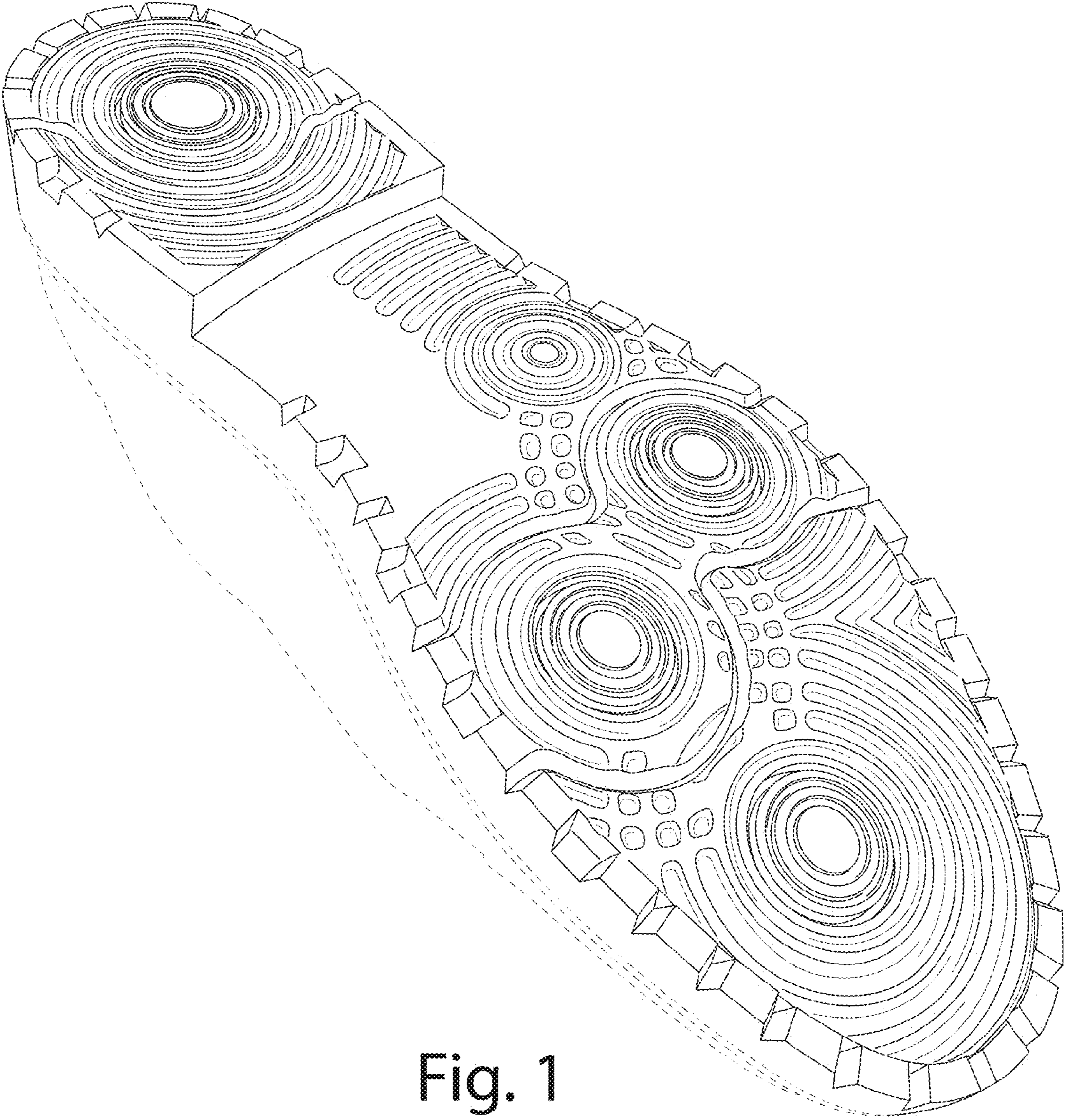


Fig. 1

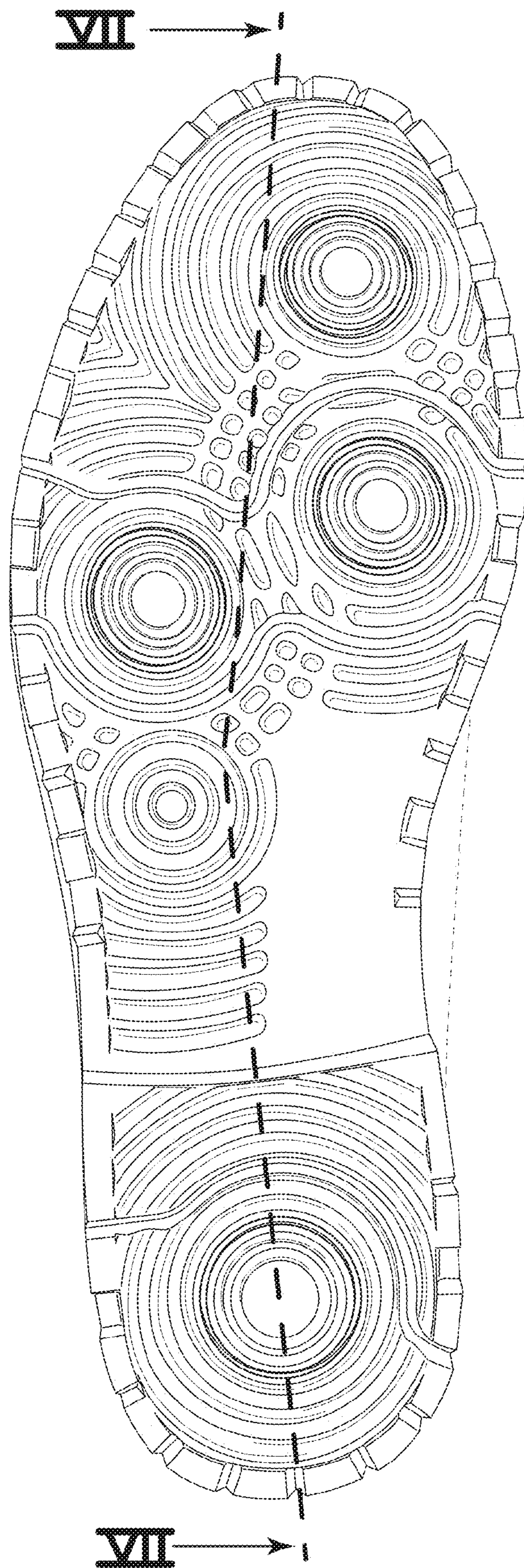


Fig. 2

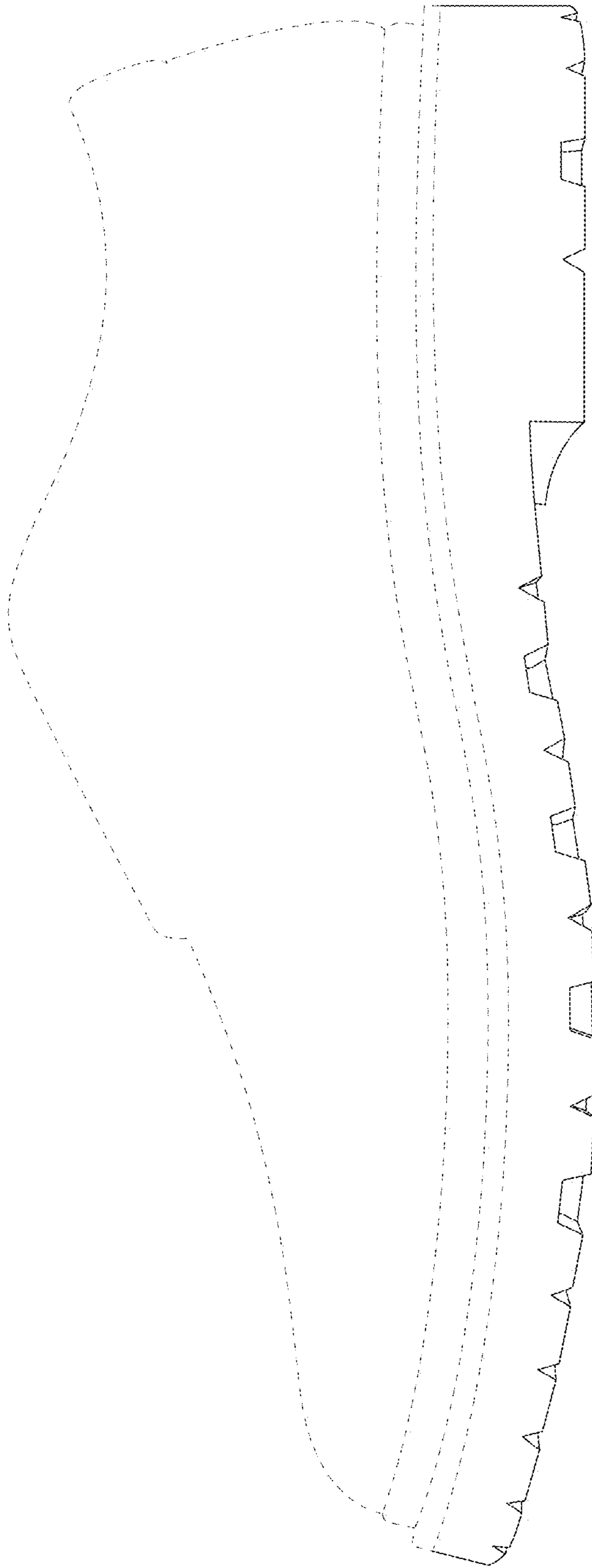


Fig. 3

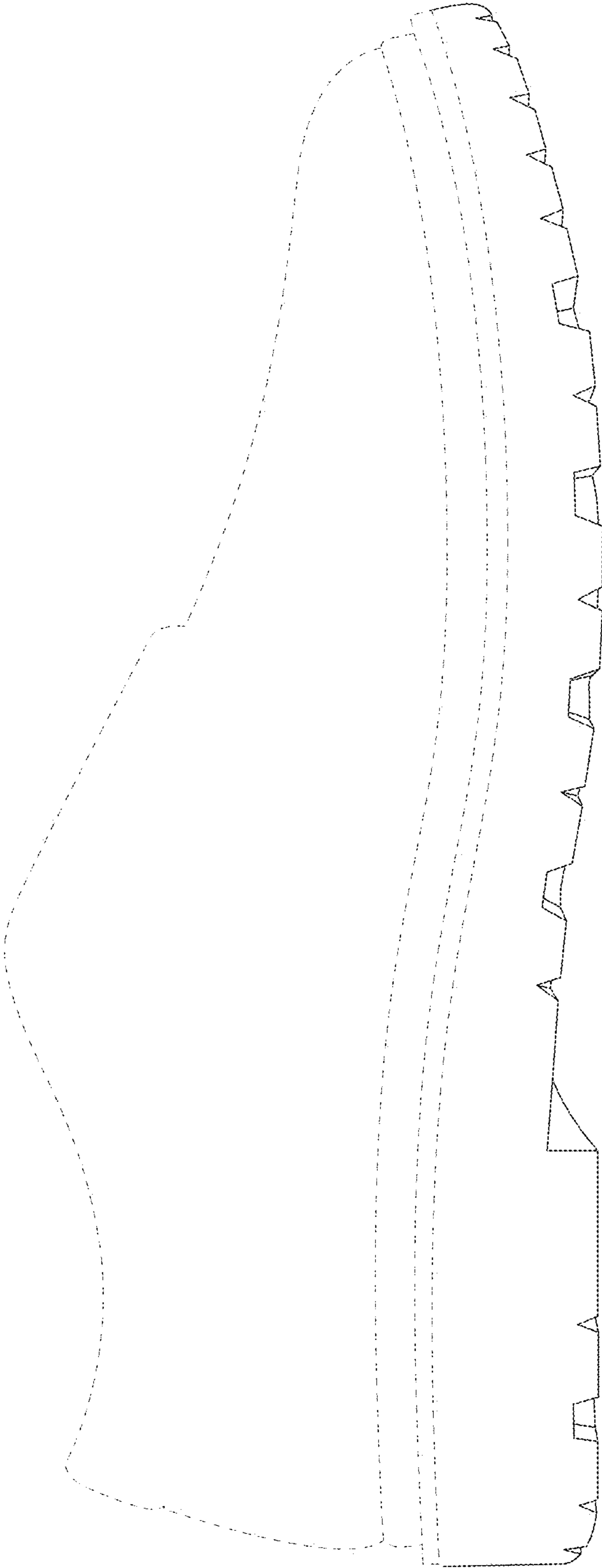


Fig. 4

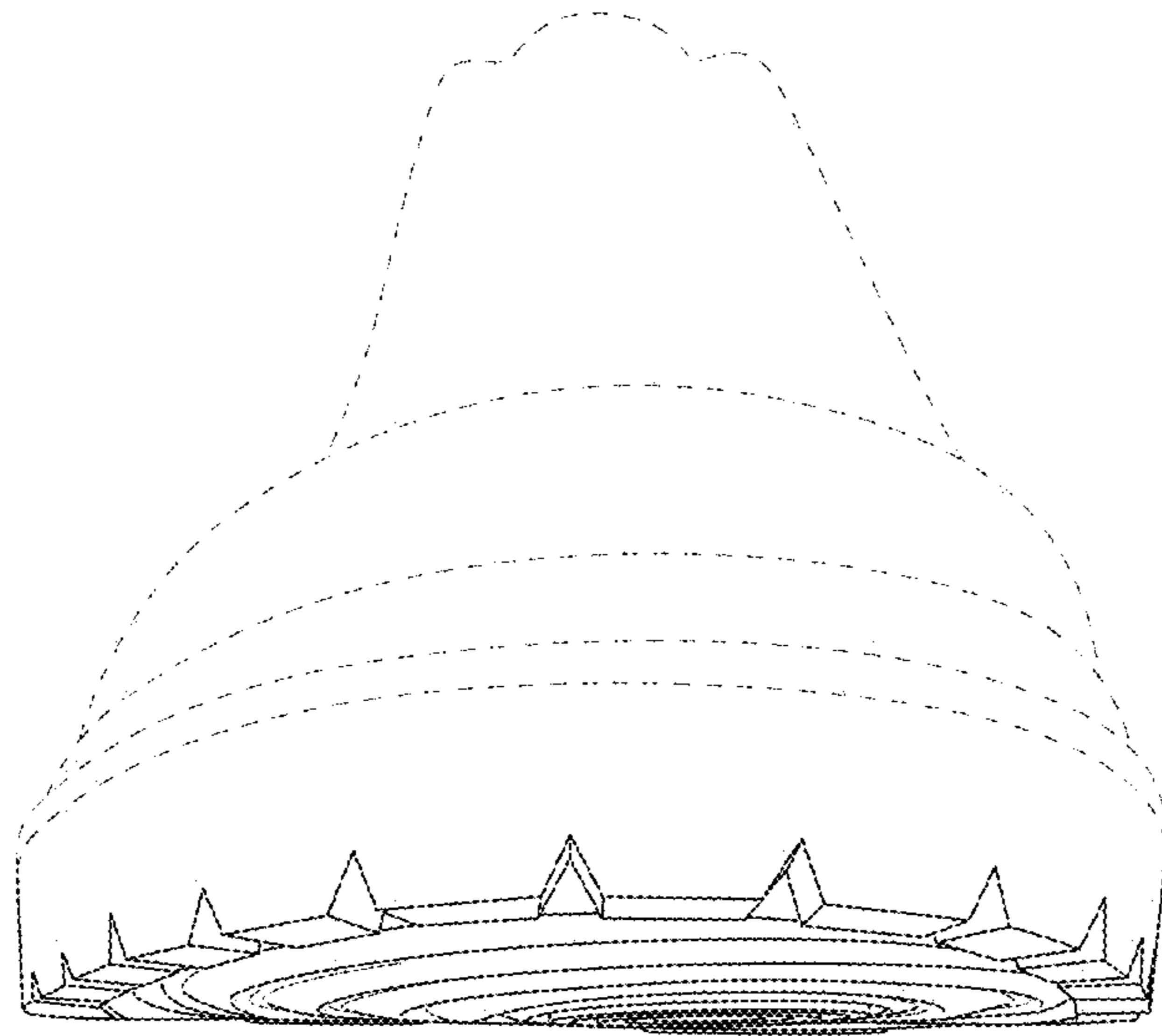


Fig. 5

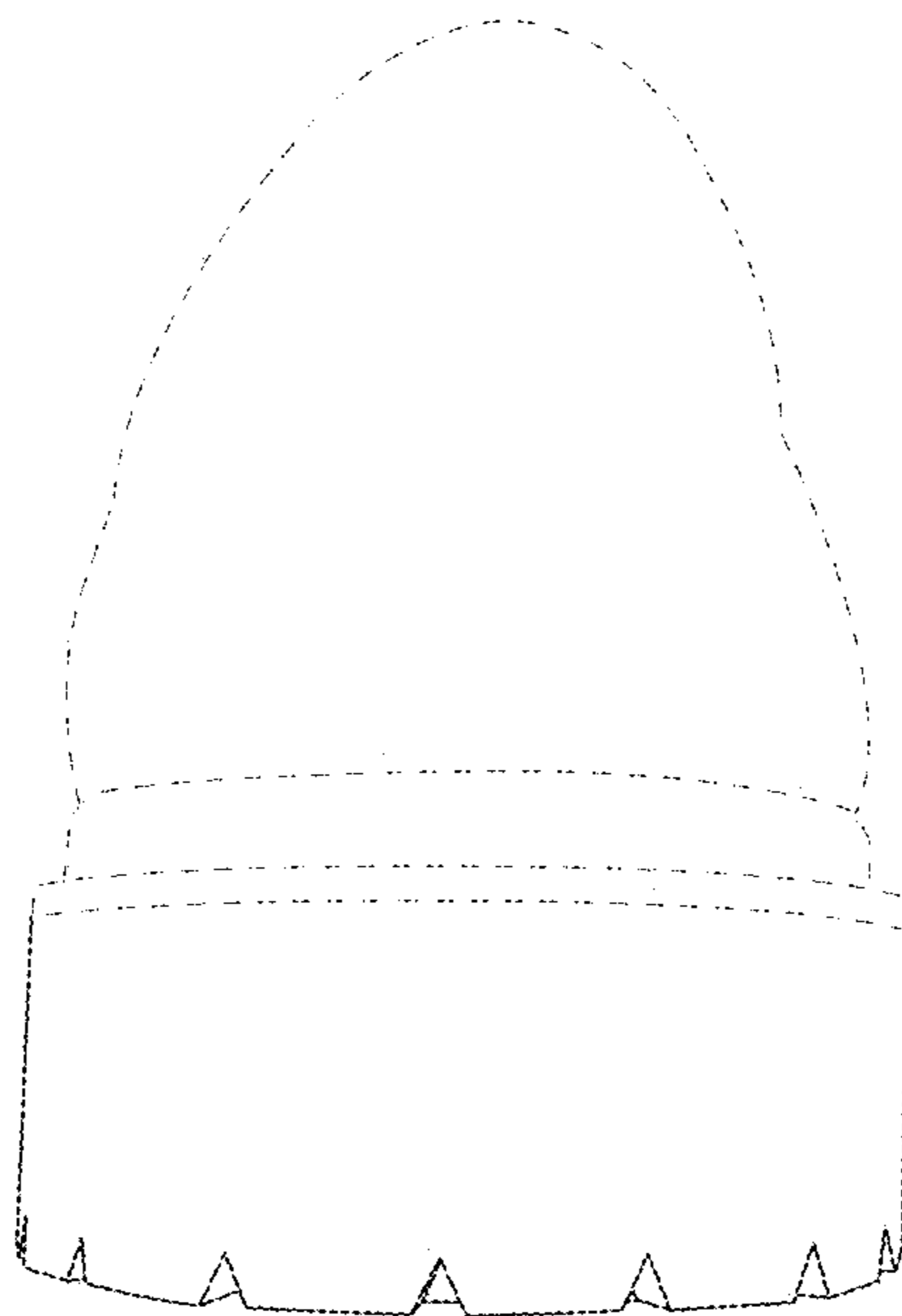


Fig. 6

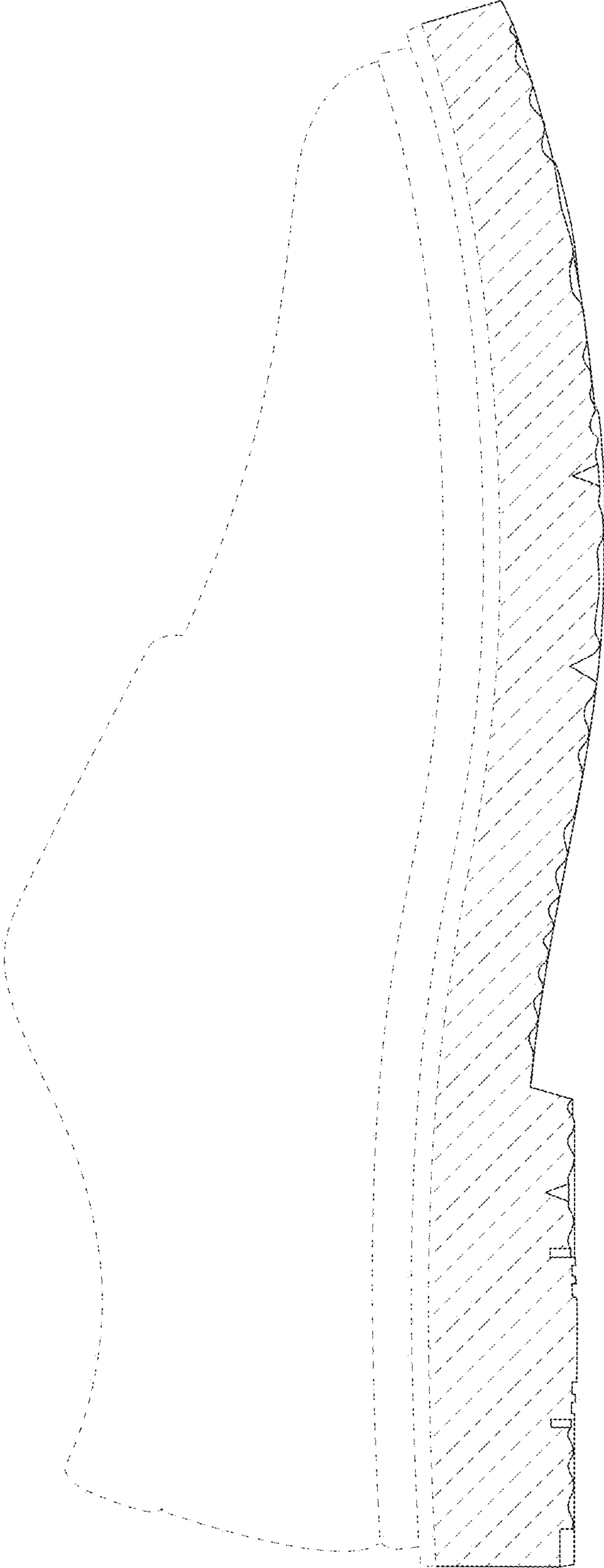


Fig. 7