



US00D943882S

(12) **United States Design Patent**  
**Petrie**

(10) **Patent No.:** **US D943,882 S**

(45) **Date of Patent:** **\*\* Feb. 22, 2022**

(54) **SHOE**

(71) Applicant: **NIKE, Inc.**, Beaverton, OR (US)

(72) Inventor: **Jason G. Petrie**, Portland, OR (US)

(73) Assignee: **NIKE, Inc.**, Beaverton, OR (US)

(\*\*) Term: **15 Years**

(21) Appl. No.: **29/737,324**

(22) Filed: **Jun. 8, 2020**

(51) **LOC (13) Cl.** ..... **02-04**

(52) **U.S. Cl.**  
USPC ..... **D2/947**

(58) **Field of Classification Search**  
USPC ..... D2/902, 906, 908, 916, 918, 925,  
D2/946-962, 977; 36/3 B, 22 R, 24.5,  
36/25 R, 28, 32 R, 34 R, 59 C, 67 A, 103  
CPC ..... A43B 13/00; A43B 13/02; A43B 13/023;  
A43B 13/026; A43B 13/04; A43B 13/08;  
A43B 13/10; A43B 13/12; A43B 13/14;  
A43B 13/141; A43B 13/143; A43B  
13/16; A43B 13/18; A43B 13/181; A43B  
13/187; A43B 13/189; A43B 13/20; A43B  
13/22; A43B 13/223; A43B 13/24; A43B  
13/28; A43B 13/30; A43B 13/32; A43B  
13/34; A43B 13/36

See application file for complete search history.

(56) **References Cited**

**U.S. PATENT DOCUMENTS**

4,766,681 A \* 8/1988 O'Rourke ..... A43B 5/00  
36/114  
D349,808 S 8/1994 Passke et al.  
D350,016 S 8/1994 Passke et al.  
5,337,492 A \* 8/1994 Anderie ..... A43B 13/181  
36/114  
D363,372 S 10/1995 Hatfield et al.

D366,756 S 2/1996 Forland et al.  
D411,242 S \* 6/1999 Link ..... D2/947  
D495,129 S \* 8/2004 Allen ..... D2/977  
6,769,202 B1 \* 8/2004 Luthi ..... A43B 13/184  
36/28  
D511,618 S \* 11/2005 McDowell ..... D2/964  
D516,786 S \* 3/2006 Besanceney, III ..... D2/947  
D579,639 S \* 11/2008 McDowell ..... D2/946  
D582,148 S \* 12/2008 McDowell ..... D2/946  
D634,524 S \* 3/2011 Pauk ..... D2/947

(Continued)

**FOREIGN PATENT DOCUMENTS**

CN 302784719 S 4/2014  
CN 303545959 S 1/2016

(Continued)

**OTHER PUBLICATIONS**

“Nike Zoom LBJ Ambassador III—2010 Preview”; Sneaker News; retrieved Jun. 4, 2020; published Mar. 9, 2010; URL: <<https://sneakernews.com/2010/03/19/nike-zoom-lbj-ambassador-iii-2010-preview/>>.

(Continued)

*Primary Examiner* — T Chase Nelson

(74) *Attorney, Agent, or Firm* — Banner & Witcoff, Ltd.

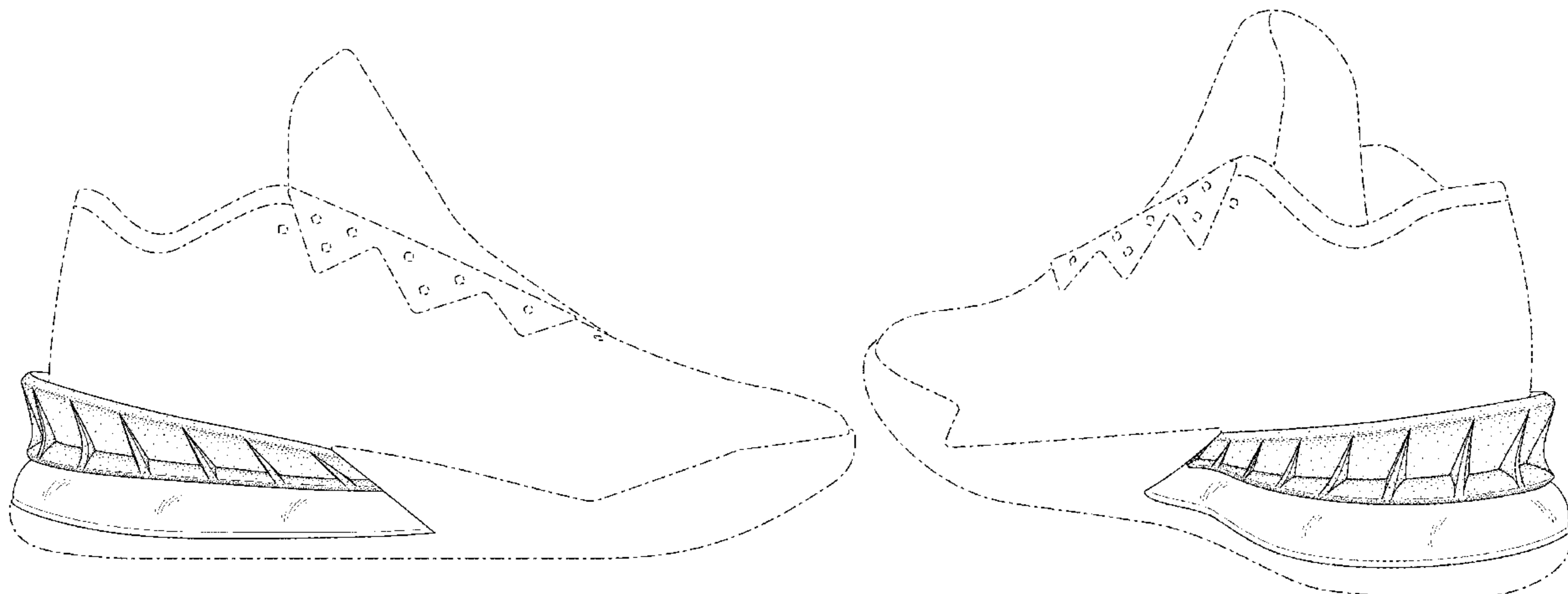
(57) **CLAIM**

The ornamental design for a shoe, as shown and described.

**DESCRIPTION**

FIG. 1 is a side view of a shoe showing my new design; FIG. 2 is a rear perspective view thereof; FIG. 3 is a rear view thereof. FIG. 4 is an opposite side rear perspective view thereof; and, FIG. 5 is an opposite side view thereof. The broken lines depicting the remainder of the shoe form no part of the claimed design.

**1 Claim, 5 Drawing Sheets**



(56)

References Cited

U.S. PATENT DOCUMENTS

D669,254 S \* 10/2012 Vestuti ..... A43B 5/00  
D2/947  
D717,029 S 11/2014 Young  
D741,584 S \* 10/2015 Christopherson ..... D2/947  
D748,902 S \* 2/2016 Humphrey ..... D2/953  
D784,667 S 4/2017 Wright  
D790,174 S \* 6/2017 Pulli ..... A43B 13/184  
D2/947  
9,675,130 B2 \* 6/2017 Ueda ..... A43C 1/04  
D795,540 S \* 8/2017 Nishimura ..... A43B 13/184  
D2/947  
D820,567 S \* 6/2018 Pulli ..... D2/947  
D831,311 S \* 10/2018 Pulli ..... D2/902  
D843,698 S \* 3/2019 Schultze ..... D2/947  
10,238,173 B2 \* 3/2019 Ngene ..... A43B 23/17  
10,293,565 B1 \* 5/2019 Tran ..... A43B 3/0005  
D860,598 S 9/2019 Small et al.  
D860,599 S 9/2019 Small et al.  
D860,600 S 9/2019 Small et al.  
D860,601 S 9/2019 Small et al.  
D860,602 S 9/2019 Small et al.  
D860,603 S 9/2019 Small et al.  
D860,606 S 9/2019 Small et al.  
D860,608 S 9/2019 Small et al.  
D871,034 S 12/2019 Amago  
D888,386 S \* 6/2020 Pauk ..... D2/947  
D910,985 S \* 2/2021 Head ..... A43C 1/04  
D2/947  
2007/0033833 A1 \* 2/2007 Chang ..... A43B 13/20  
36/30 R

2011/0167672 A1 \* 7/2011 Bond ..... A43B 13/223  
36/28  
2014/0259784 A1 \* 9/2014 Jenkins ..... A43B 13/184  
36/102  
2016/0183632 A1 \* 6/2016 Scofield ..... A43B 13/125  
36/28  
2016/0219978 A1 \* 8/2016 Elder ..... A43B 13/187  
2018/0132563 A1 \* 5/2018 Hillyer ..... A43B 13/125  
2020/0178644 A1 \* 6/2020 Hillyer ..... A43B 13/223

FOREIGN PATENT DOCUMENTS

CN 304272554 S 9/2017  
CN 305394732 S 10/2019  
CN 305398103 S 10/2019  
CN 305556500 S 1/2020  
CN 305665133 S 3/2020  
CN 305729759 S 4/2020  
CN 305738474 S 4/2020  
KR 30-0763227 9/2014

OTHER PUBLICATIONS

“Nike Air Max LeBron VIII (8)—Black—Sport Red—Metallic Gold | Sample”; Sneaker News; retrieved Jun. 4, 2020; published Sep. 28, 2010; URL: <<https://sneakernews.com/2010/09/28/nike-air-max-lebron-viii-8-black-sport-red-metallic-gold-sample/>>.  
“Do You Like The Air Jordan 3 Animal Instinct 2.0?”; Kicks on Fire; retrieved Jun. 4, 2020; published Apr. 16, 2020; URL: <<https://www.kicksonfire.com/air-jordan-3-animal-instinct-2-0-even-closer-look-2/>>.

\* cited by examiner

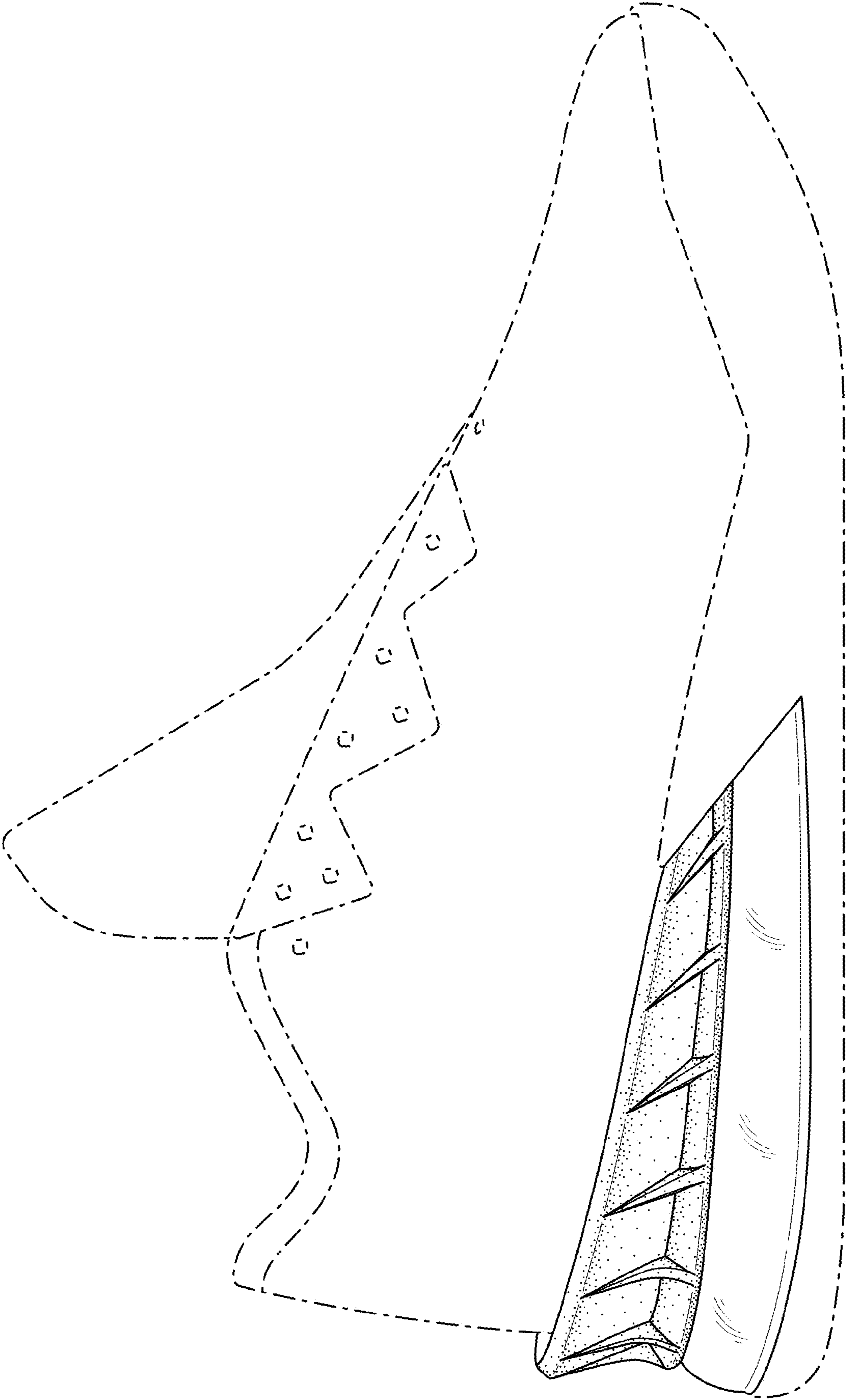


FIG. 1

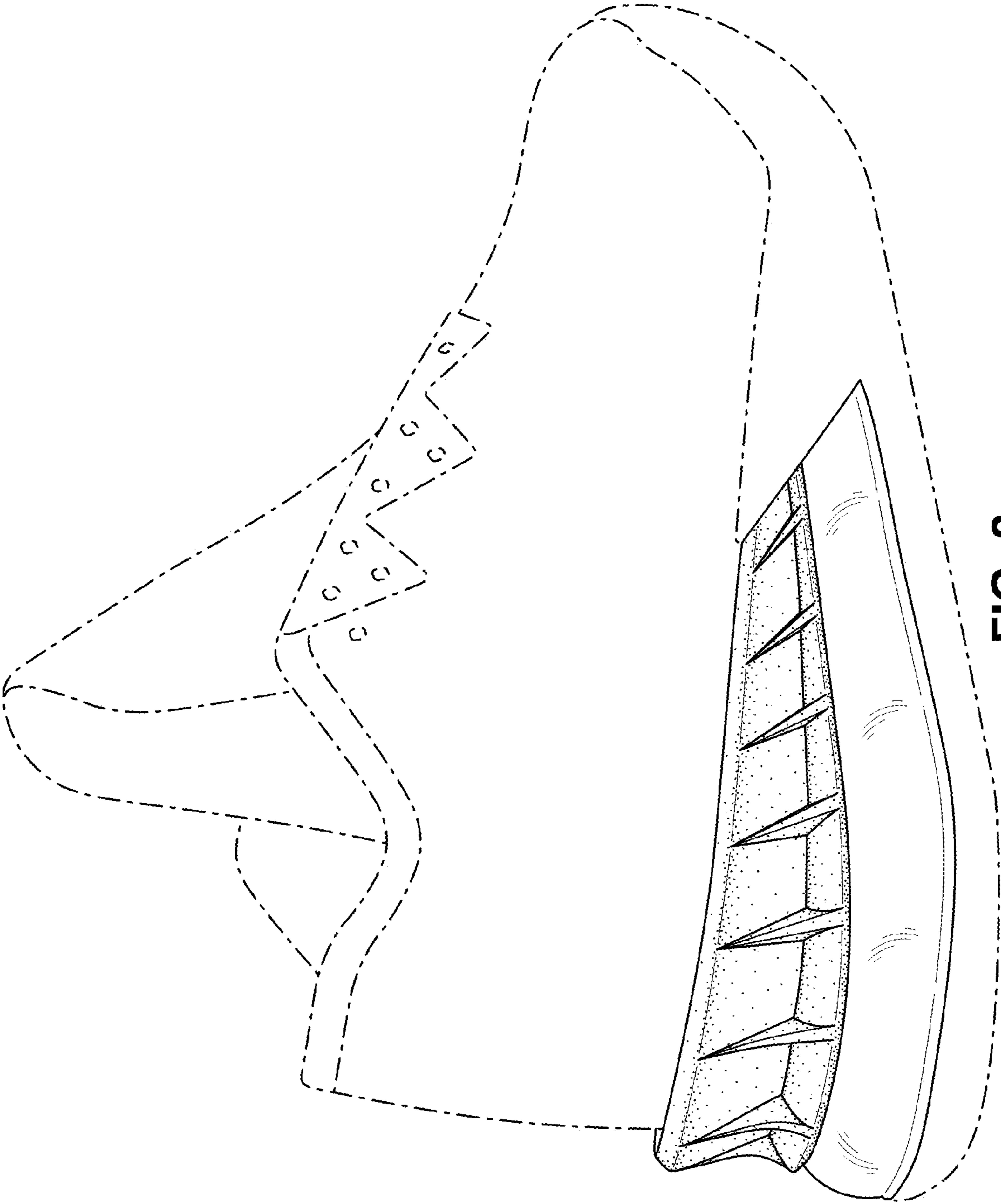


FIG. 2

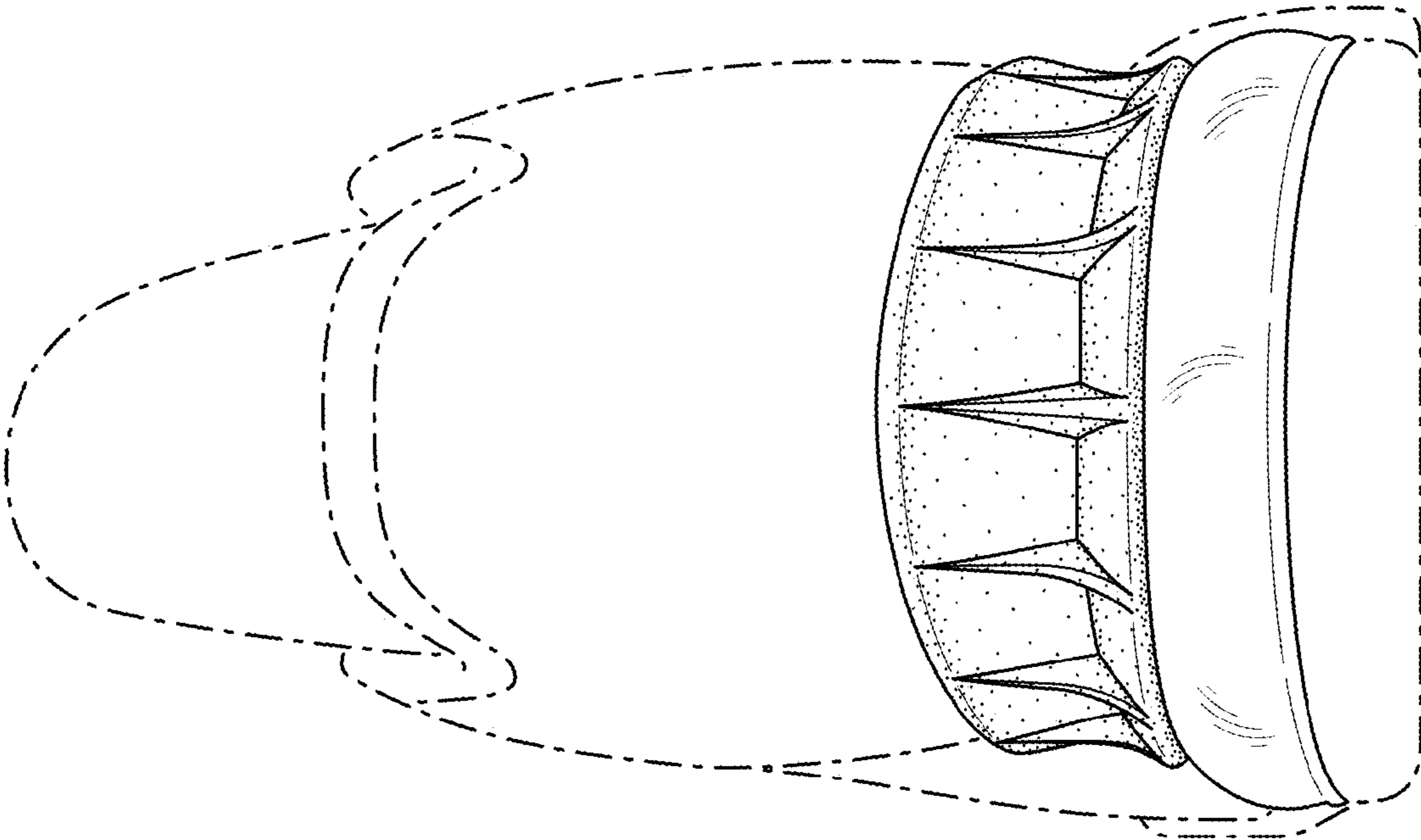
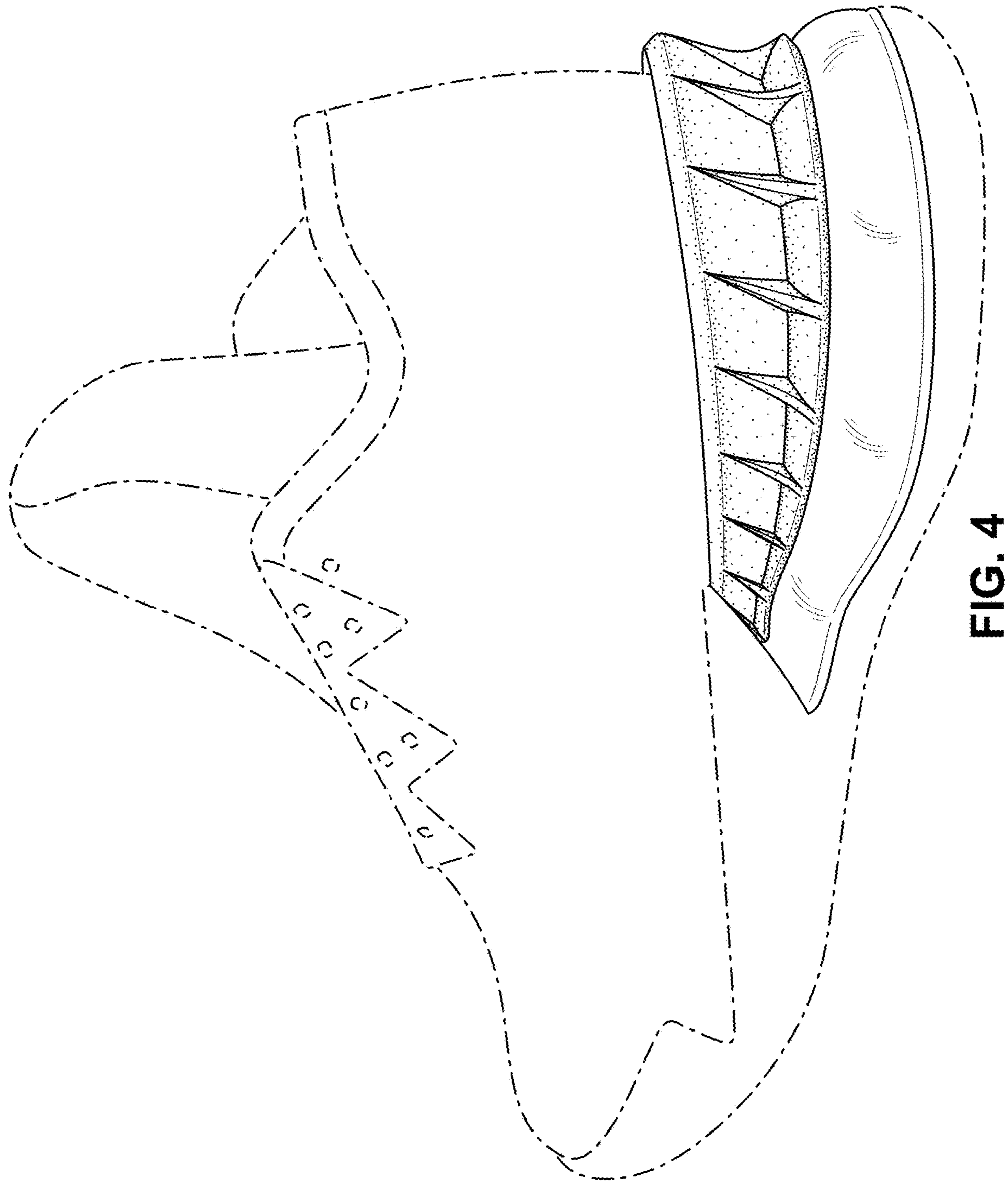


FIG. 3



**FIG. 4**

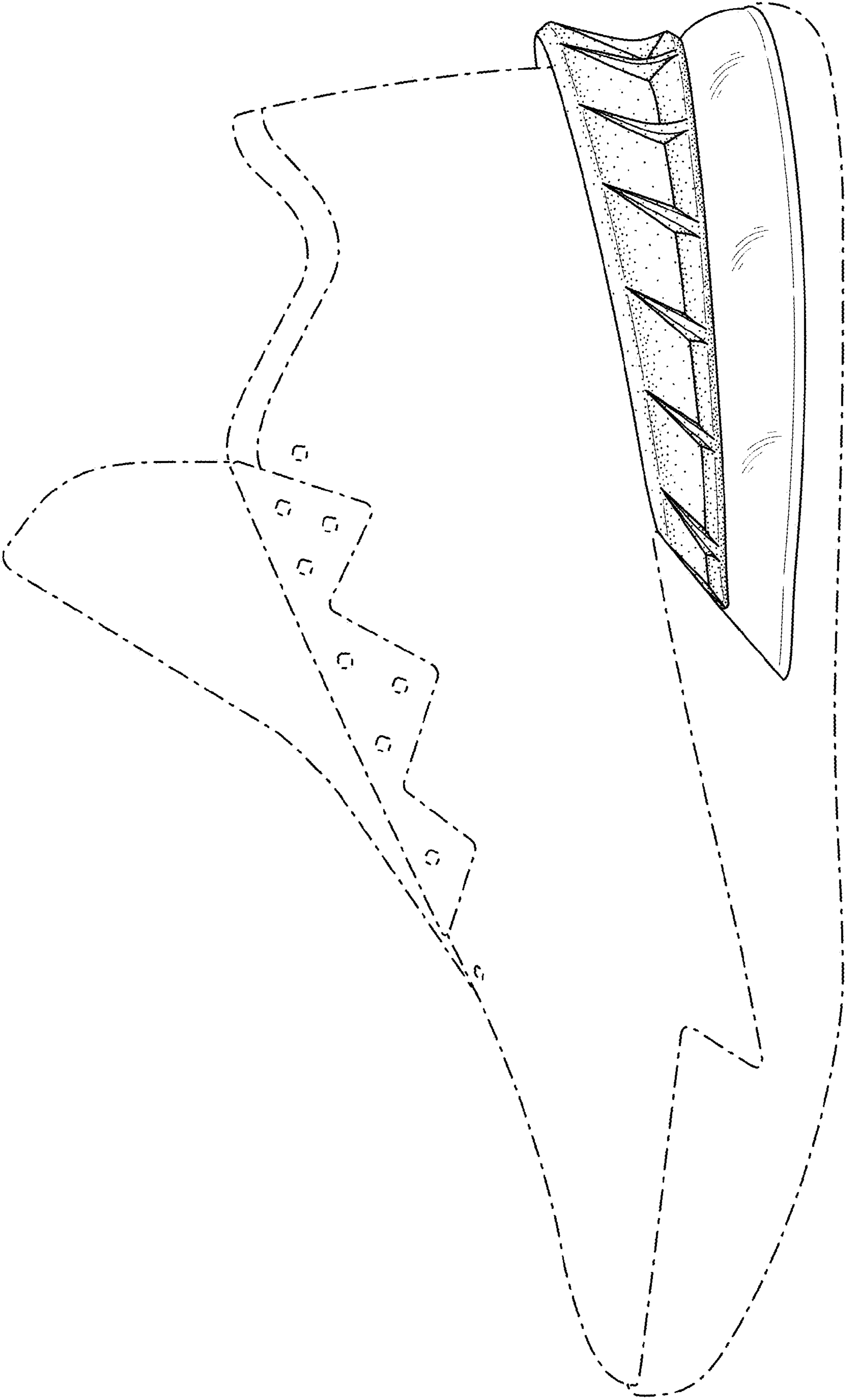


FIG. 5