



US00D943877S

(12) **United States Design Patent**
Huizenga et al.

(10) **Patent No.:** **US D943,877 S**

(45) **Date of Patent:** **** Feb. 22, 2022**

- (54) **ARTICLE OF FOOTWEAR**
- (71) Applicant: **Moterum Technologies, Inc.**, Seneca, SC (US)
- (72) Inventors: **David E. Huizenga**, Seneca, SC (US);
Timothy Hess, Lexington, SC (US)
- (73) Assignee: **Moterum Technologies, Inc.**, Seneca, SC (US)
- (**) Term: **15 Years**
- (21) Appl. No.: **29/702,886**
- (22) Filed: **Aug. 22, 2019**
- (51) **LOC (13) Cl.** **02-04**
- (52) **U.S. Cl.**
USPC **D2/946**
- (58) **Field of Classification Search**
USPC D2/902, 907, 908, 943-946, 969,
D2/972-974, 976-978; D28/39, 40, 42;
D11/40, 48, 75, 78; D21/386
CPC .. A43B 23/24; A43B 5/00; A43B 5/06; A43B
5/10; A43C 19/00; A43C 7/00; A43C
7/005; A43C 7/04; A43C 7/06; A43C
7/08; F16G 11/105
See application file for complete search history.

- D535,086 S * 1/2007 Pace D2/904
- D541,519 S * 5/2007 Belley A43B 7/00
D2/946
- D662,697 S * 7/2012 Portzline A43B 3/0078
D2/947
- D846,263 S * 4/2019 Lee D2/978

* cited by examiner

Primary Examiner — Kevin K Rudzinski

Assistant Examiner — Clare Ann Gannon

(74) *Attorney, Agent, or Firm* — Meunier Carlin & Curfman LLC

(57) **CLAIM**

The ornamental design for an article of footwear, as shown and described.

DESCRIPTION

FIG. 1 is a top perspective view of an article of footwear showing our new design.
 FIG. 2 is a front view thereof.
 FIG. 3 is a rear view thereof.
 FIG. 4 is a left side view thereof.
 FIG. 5 is a right side view thereof.
 FIG. 6 is a top view thereof.
 FIG. 7 is a bottom view thereof; and,
 FIG. 8 is a cross-sectional view taken along line 8-8 of FIG. 6.

The broken lines showing the remaining portions of the article of footwear illustrate features of the article of manufacture that form no part of the claimed design.

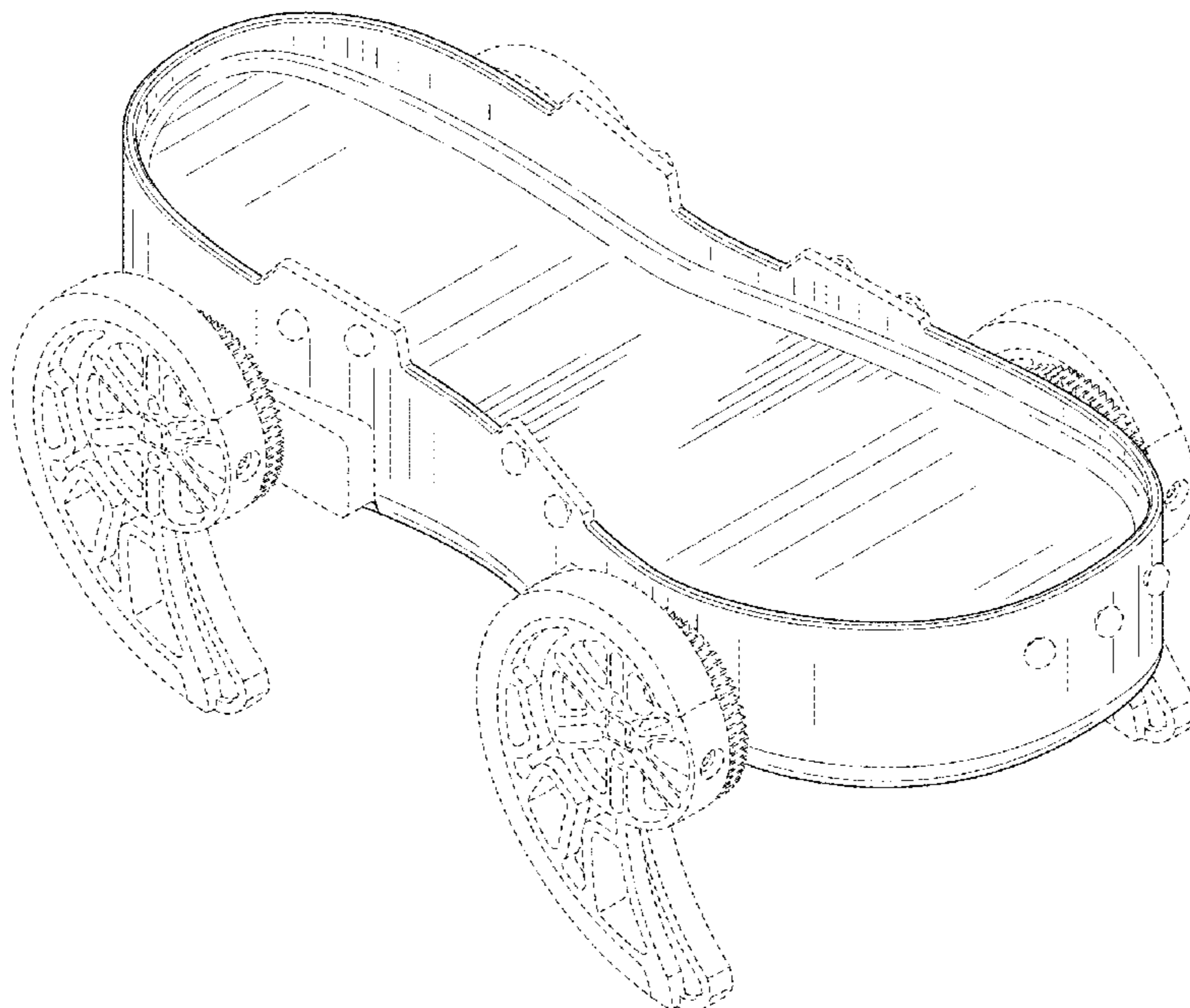
The hatching shown in FIG. 8 is symbolic and forms no part of the claimed design.

1 Claim, 8 Drawing Sheets

(56) **References Cited**

U.S. PATENT DOCUMENTS

- 1,938,617 A * 12/1933 Augusta A43B 7/00
36/81
- D257,683 S * 12/1980 Appel D2/907
- D351,140 S * 10/1994 Davis D13/167
- 6,442,869 B2 * 9/2002 Coomes A43B 3/0078
36/100
- D514,780 S * 2/2006 Berg D2/946



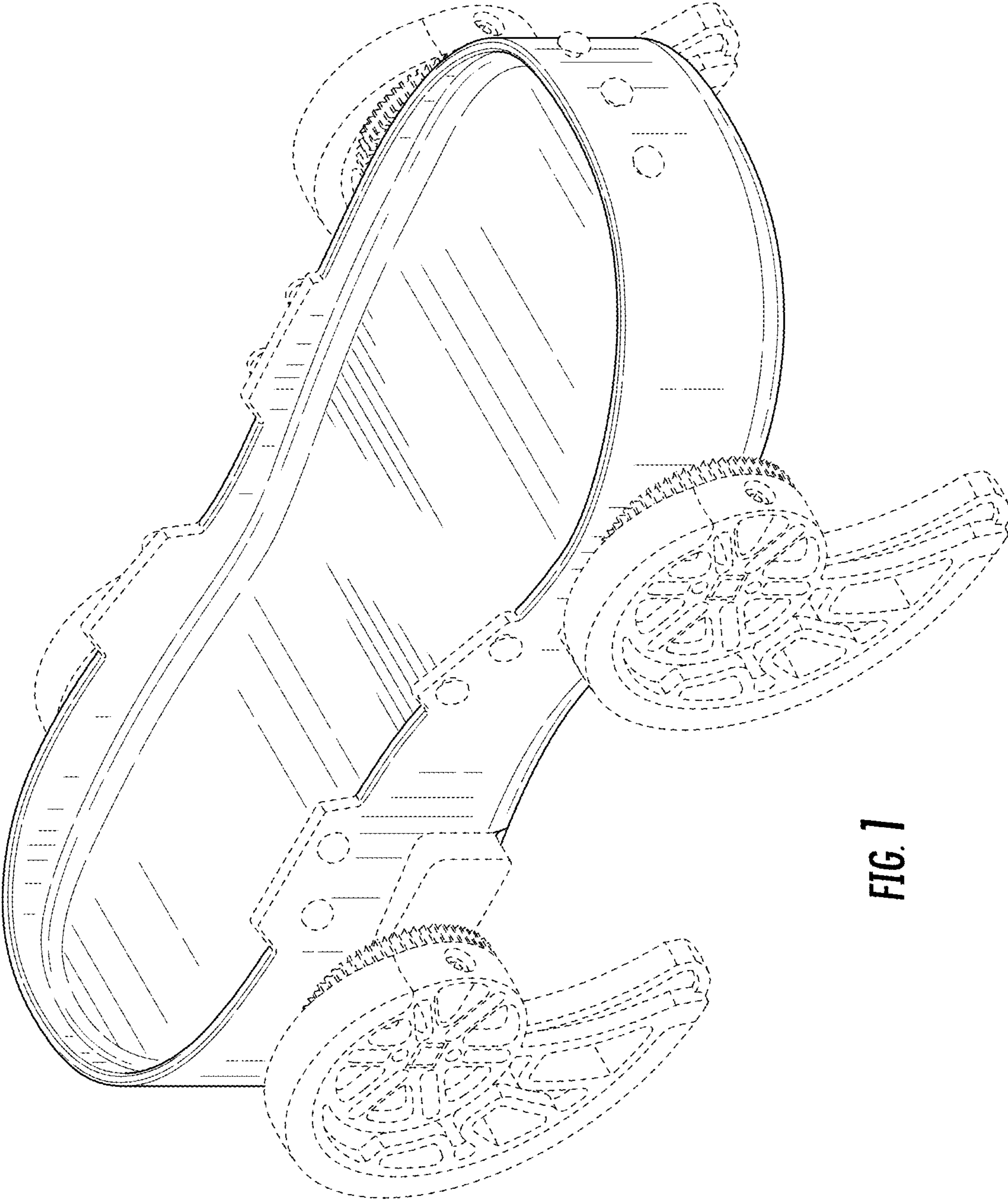


FIG. 1

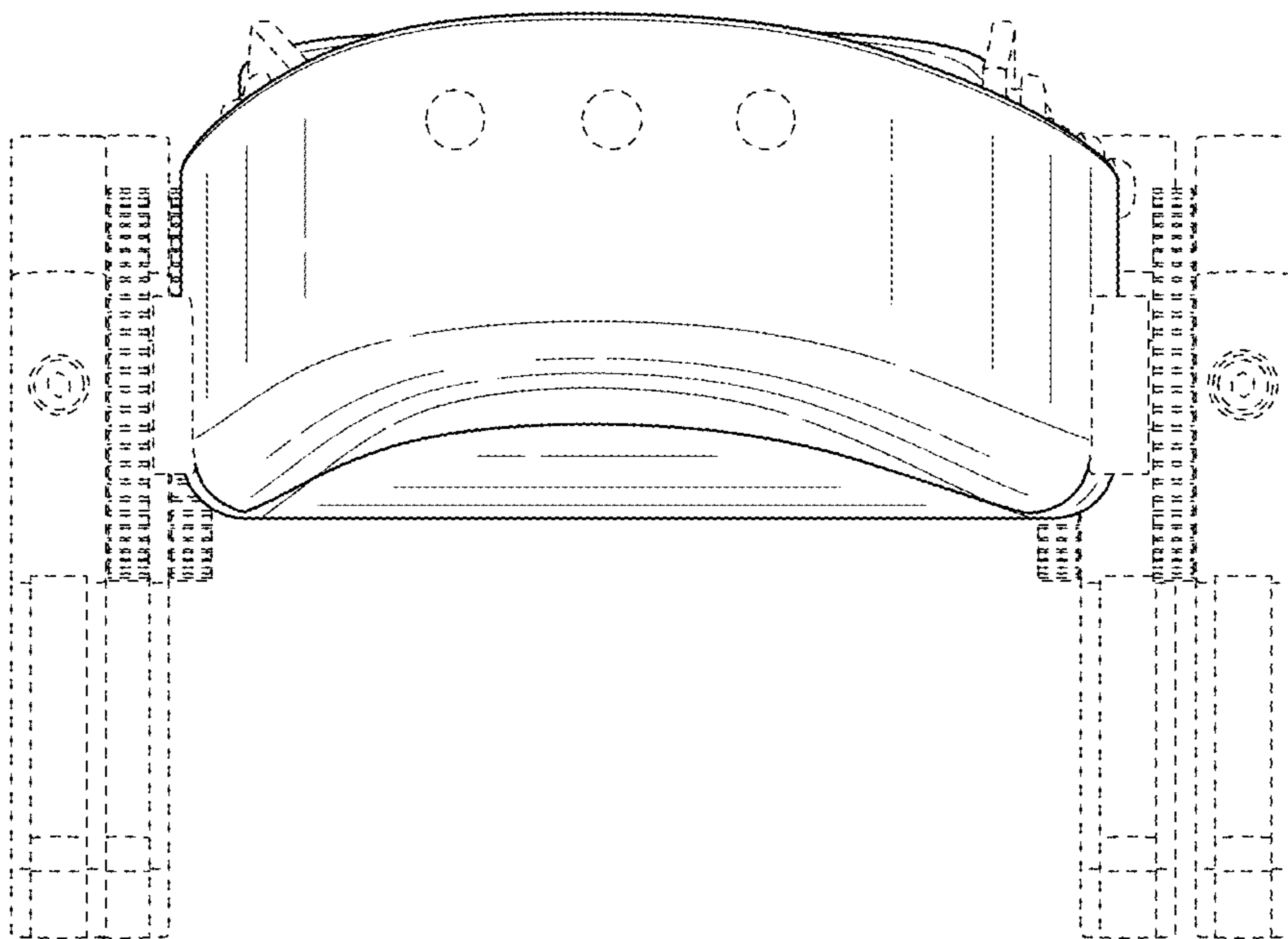


FIG. 2

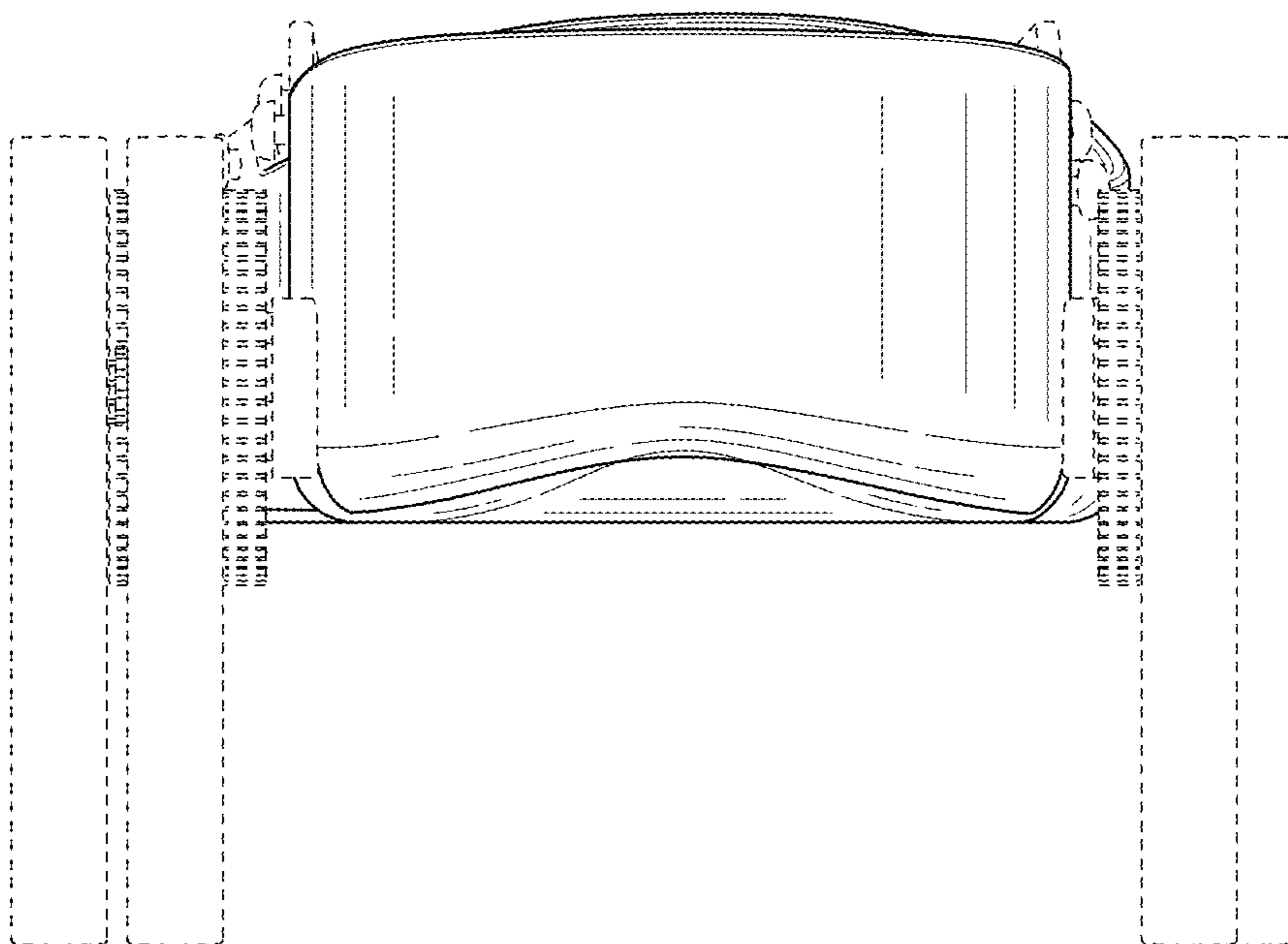


FIG. 3

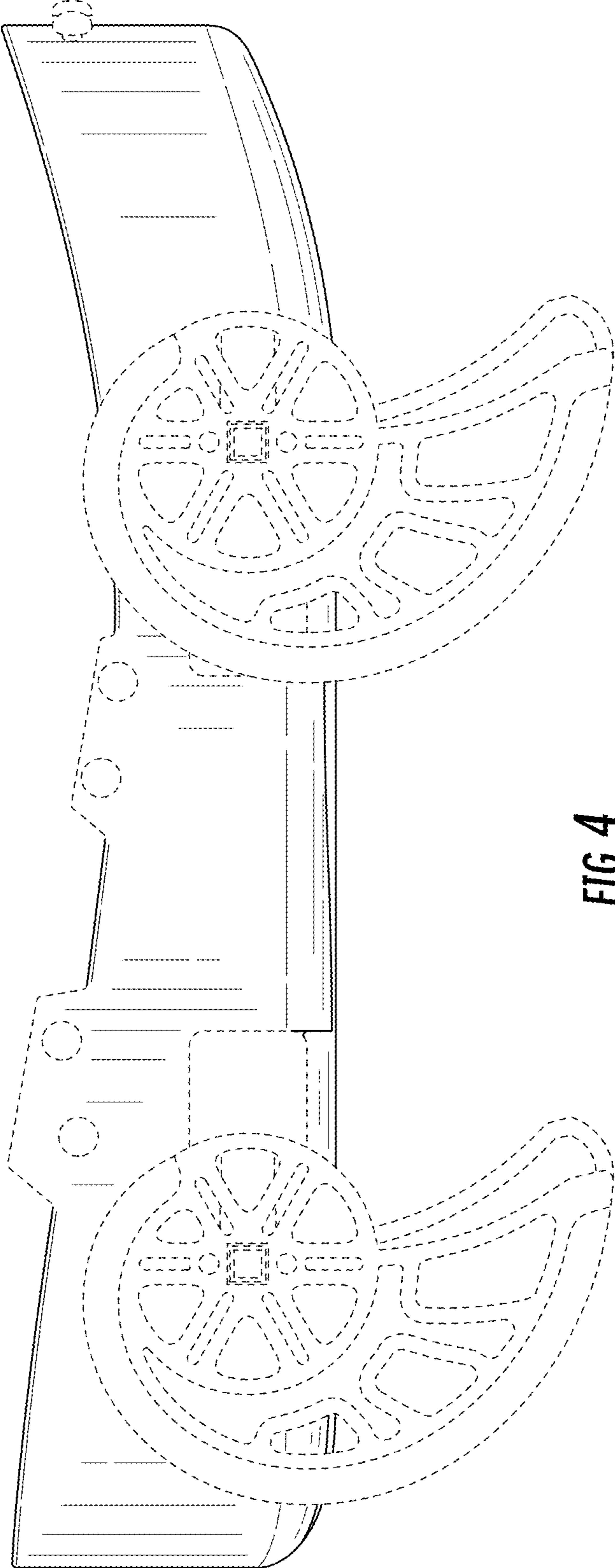


FIG. 4

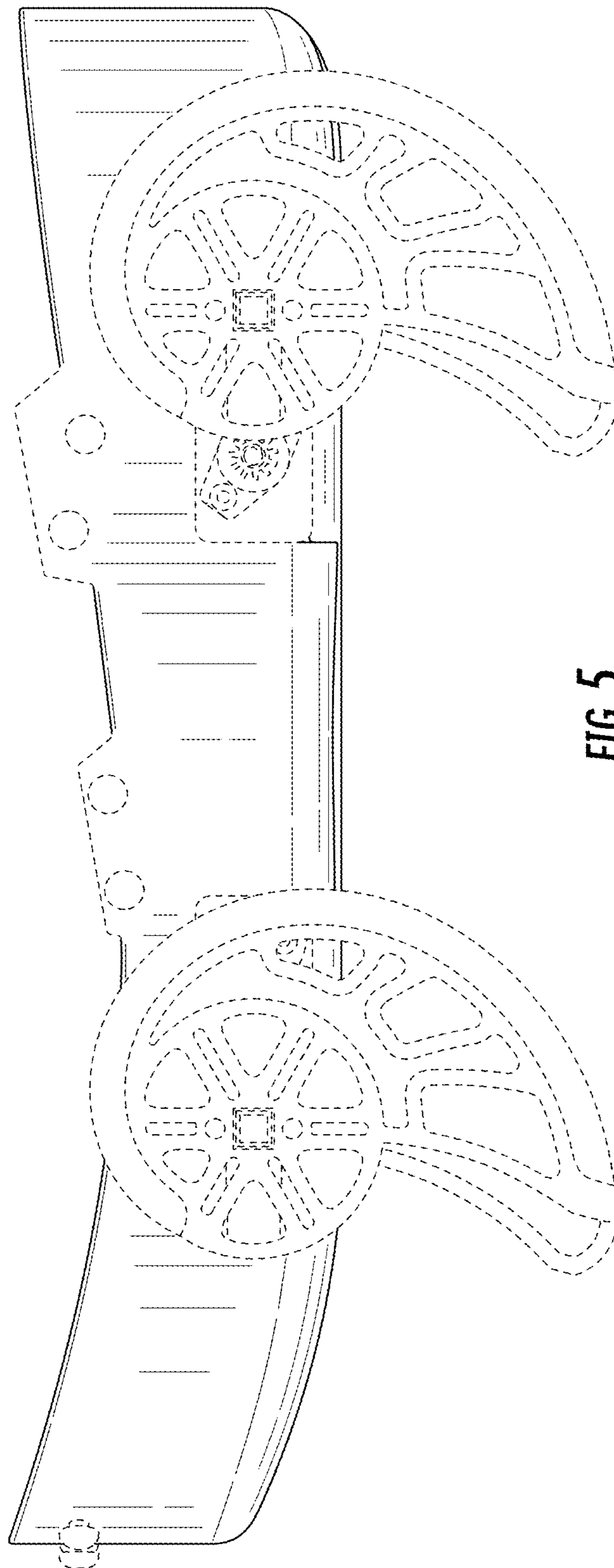


FIG. 5

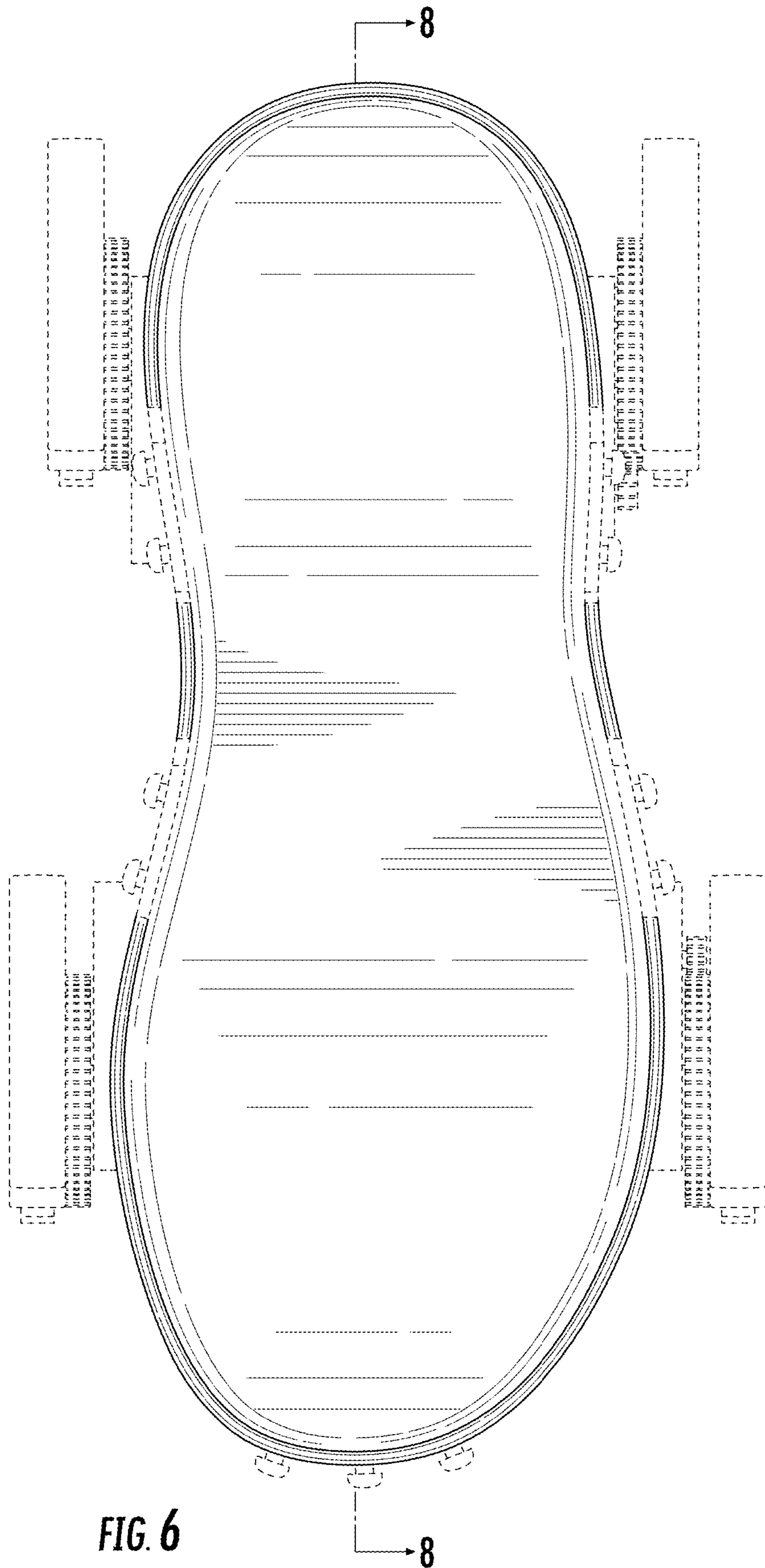


FIG. 6

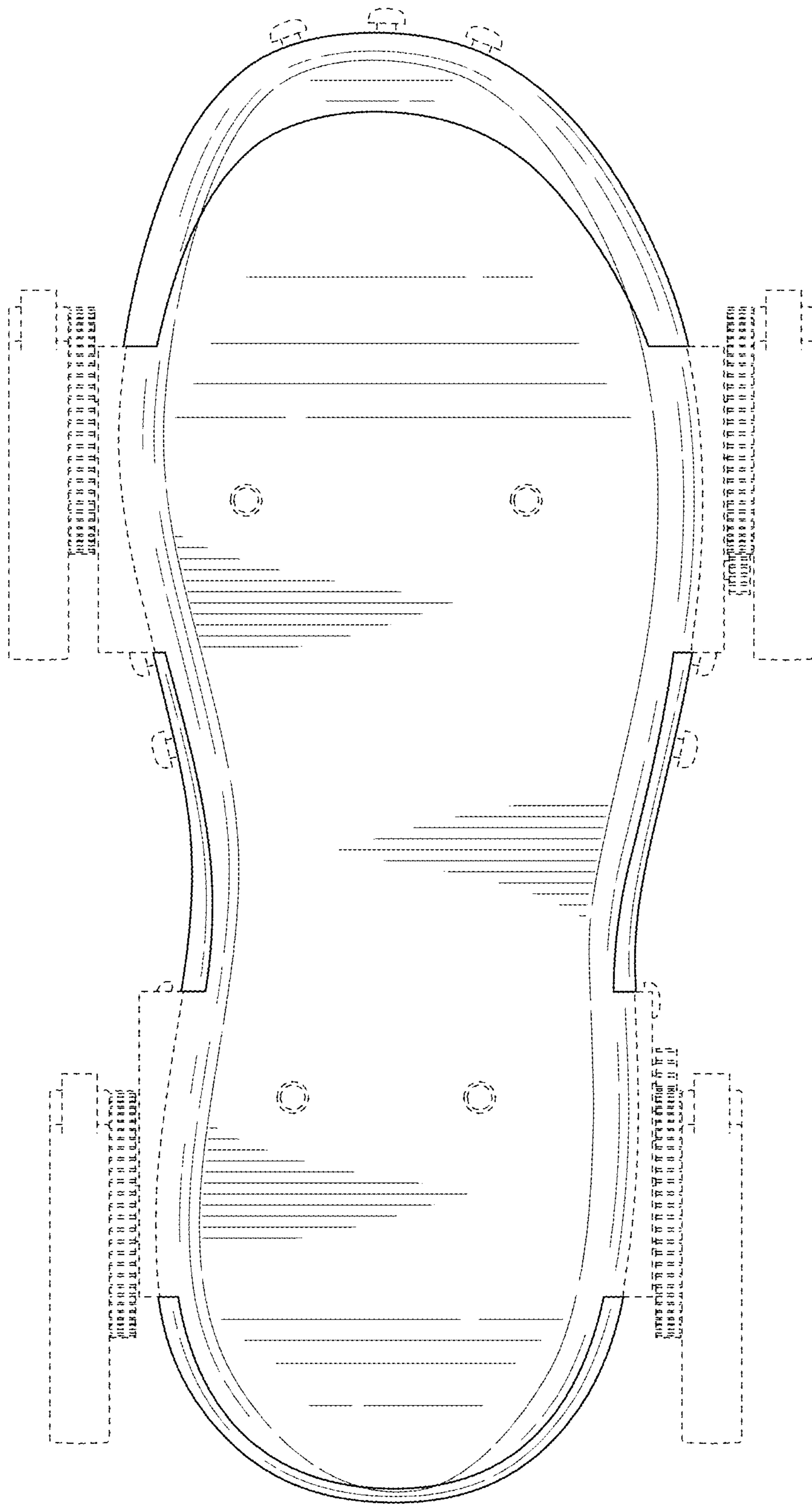


FIG. 7

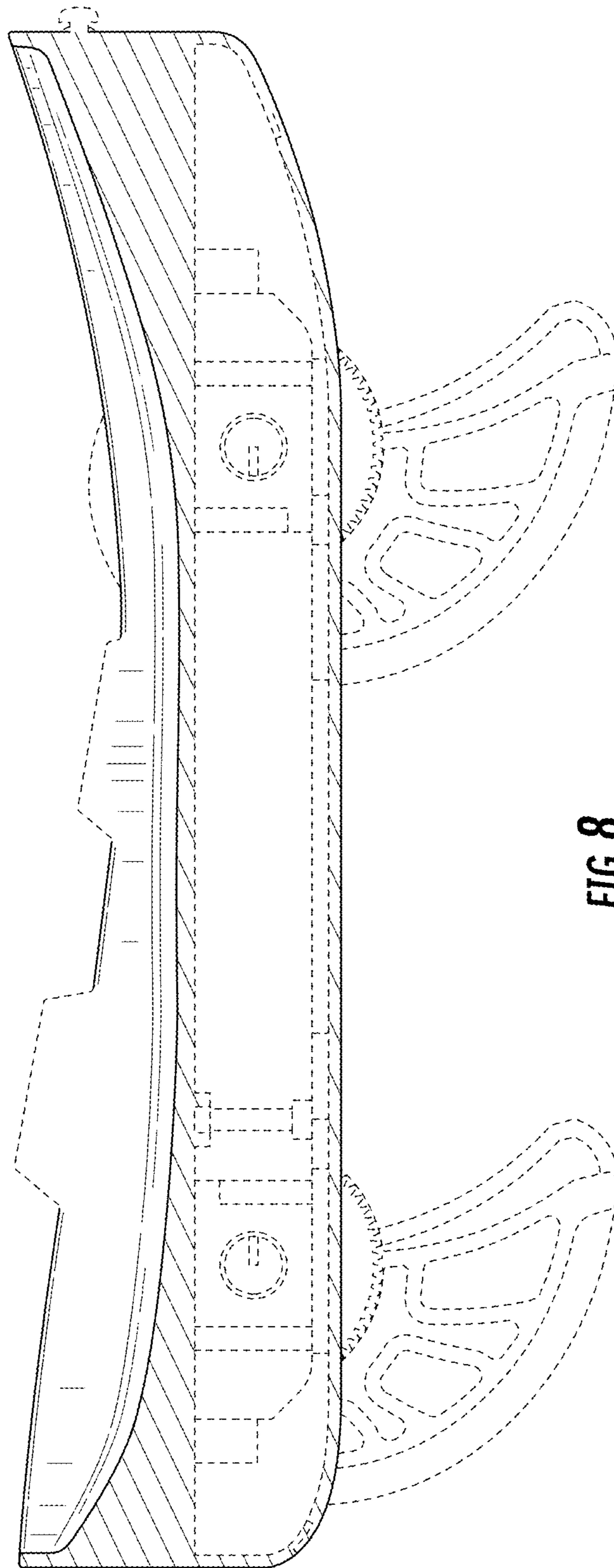


FIG. 8

UNITED STATES PATENT AND TRADEMARK OFFICE
CERTIFICATE OF CORRECTION

PATENT NO. : D943,877 S
APPLICATION NO. : 29/702886
DATED : February 22, 2022
INVENTOR(S) : David E. Huizenga et al.

Page 1 of 1

It is certified that error appears in the above-identified patent and that said Letters Patent is hereby corrected as shown below:

On the Title Page

Item (72), under the name of Inventor Timothy Hess, should read:

--Stacy Jean Morris Bamberg, Salt Lake City, UT (US)--

Signed and Sealed this
Eighteenth Day of June, 2024
Katherine Kelly Vidal

Katherine Kelly Vidal
Director of the United States Patent and Trademark Office