



US00D943865S

(12) **United States Design Patent**
Quintero

(10) **Patent No.:** **US D943,865 S**

(45) **Date of Patent:** **** Feb. 22, 2022**

- (54) **BOW-TIE**
- (71) Applicant: **Jaime Alexander Quintero**,
Washington, DC (US)
- (72) Inventor: **Jaime Alexander Quintero**,
Washington, DC (US)
- (**) Term: **15 Years**
- (21) Appl. No.: **29/652,466**
- (22) Filed: **Aug. 24, 2020**
- (51) **LOC (13) Cl.** **02-05**
- (52) **U.S. Cl.**
USPC **D2/606**
- (58) **Field of Classification Search**
USPC D2/500, 501, 600, 601, 602, 603, 604,
D2/605, 606, 607, 608, 609; D11/8
CPC A41D 25/00; A41D 25/001; A41D 25/003;
A41D 25/005; A41D 25/006; A41D
25/008; A41D 25/02; A41D 25/002;
A41D 25/025; A41D 25/027; A41D
25/04; A41D 25/06; A41D 25/08; A41D
25/10; A41D 25/12; A41D 25/14
See application file for complete search history.

1,552,240	A *	9/1925	Sokolowski	A41D 25/00	2/144
1,737,072	A *	11/1929	Blach	A41D 25/02	2/151
1,798,086	A *	3/1931	Hendel	A41D 25/16	2/154
D157,444	S *	2/1950	Sherwood	D2/606	
D229,796	S *	1/1974	Eckstein	D2/606	
D255,619	S *	7/1980	Leonardi	D2/605	
D360,515	S *	7/1995	McGurk	D2/606	
D779,780	S	2/2017	Bowers			
D792,051	S	7/2017	Anarah			
D792,052	S	7/2017	Anarah			

* cited by examiner

Primary Examiner — Jasmine Mlinarcik

(74) *Attorney, Agent, or Firm* — Dunlap Bennett & Ludwig, PLLC

(57) **CLAIM**

The ornamental design for a bow-tie, as shown and described.

DESCRIPTION

FIG. 1 is a front perspective view of the bow-tie, showing my new design;

FIG. 2 is a front elevation view thereof;

FIG. 3 is a rear elevation view thereof;

FIG. 4 is a left side elevation view thereof;

FIG. 5 is a right side elevation view thereof;

FIG. 6 is a top plan view thereof; and,

FIG. 7 is a bottom plan view thereof.

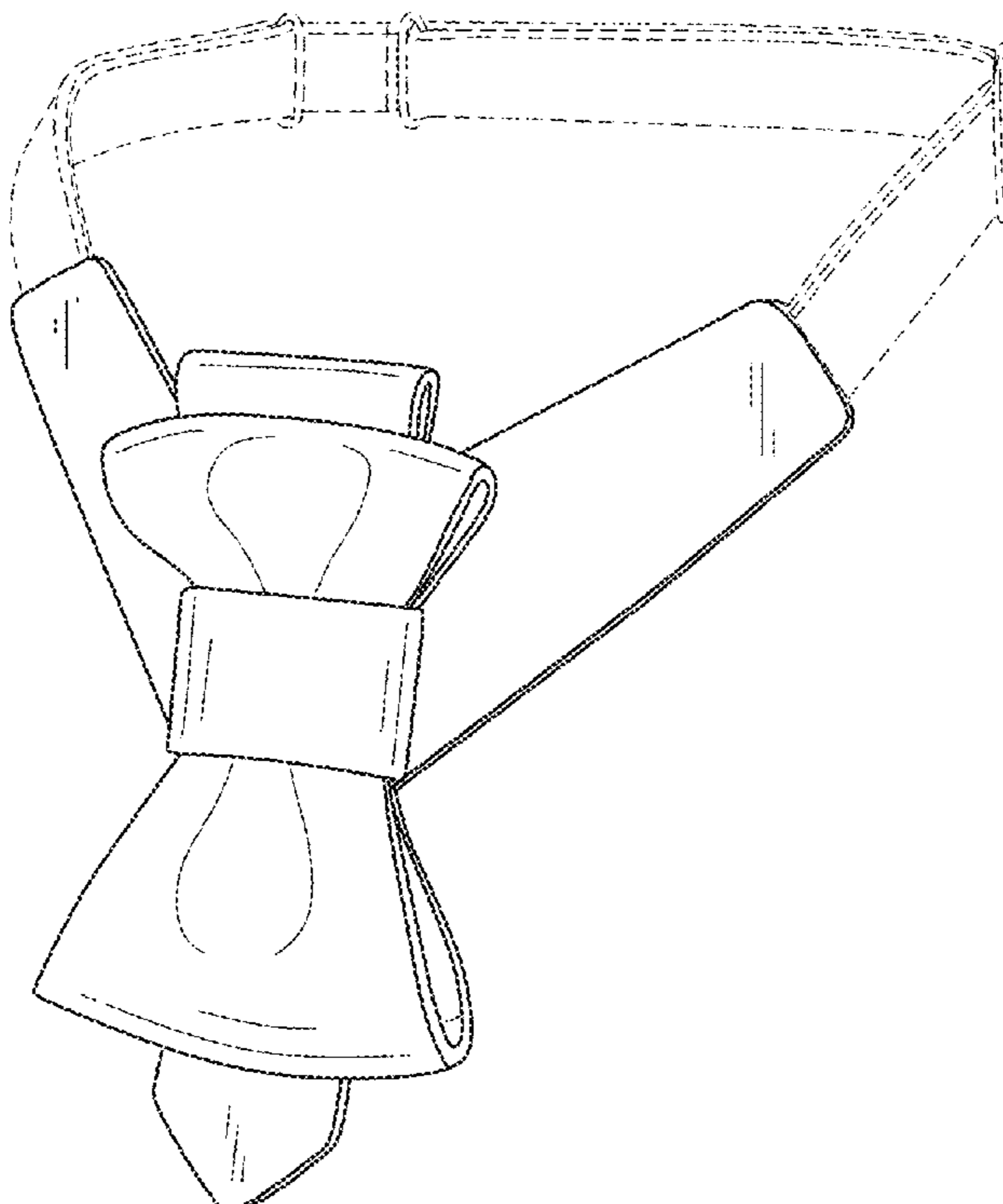
The broken lines shown in the drawings depict portions of the bow-tie that forms no part of the claimed design.

(56) **References Cited**

U.S. PATENT DOCUMENTS

205,528	A *	7/1878	Conaway	A41B 3/04	2/139
D35,662	S *	2/1902	Cowen	D2/606	
853,880	A *	5/1907	Hodgkinson et al.	.	A41D 25/12	24/56

1 Claim, 4 Drawing Sheets



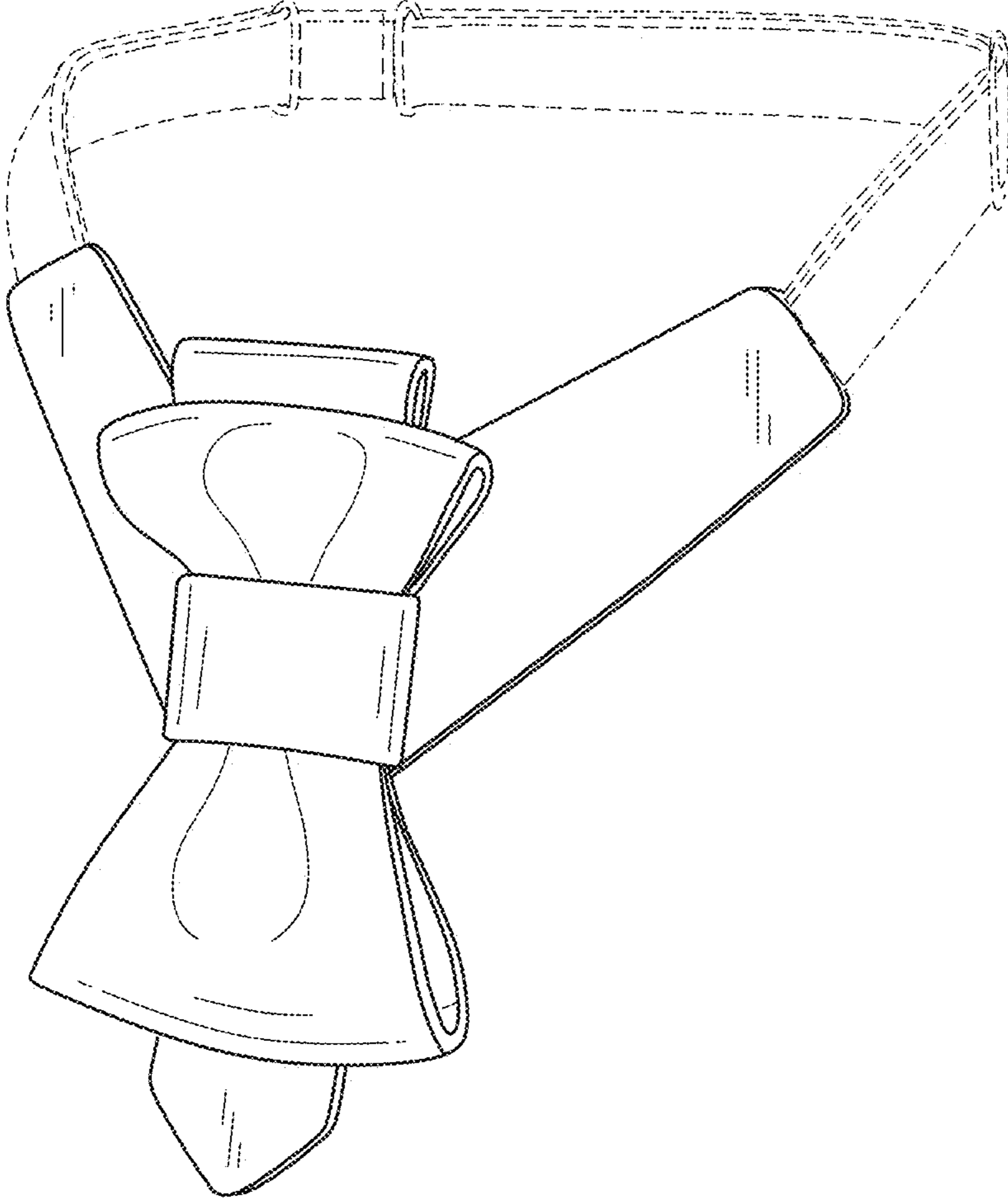


FIG. 1

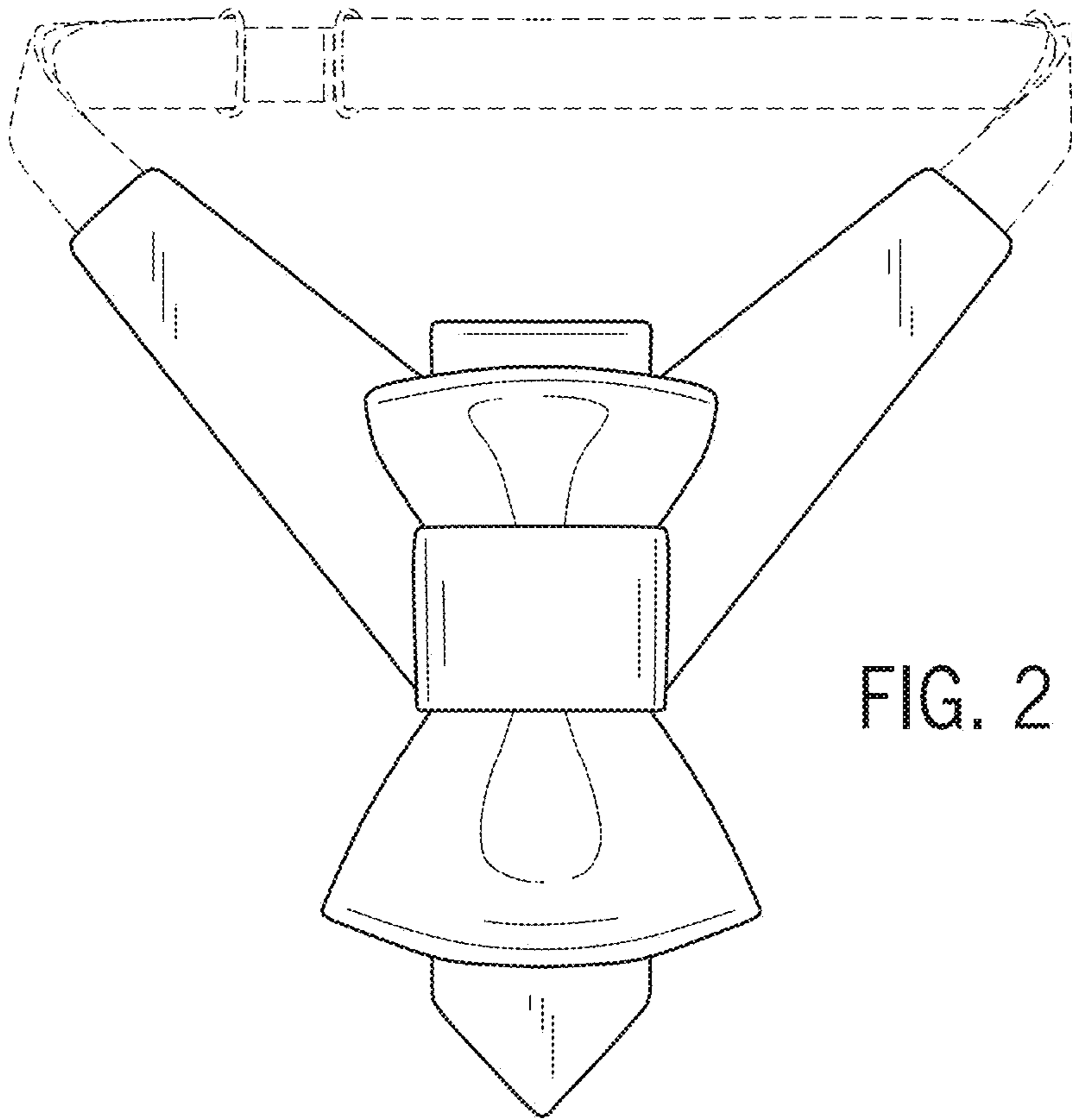


FIG. 2

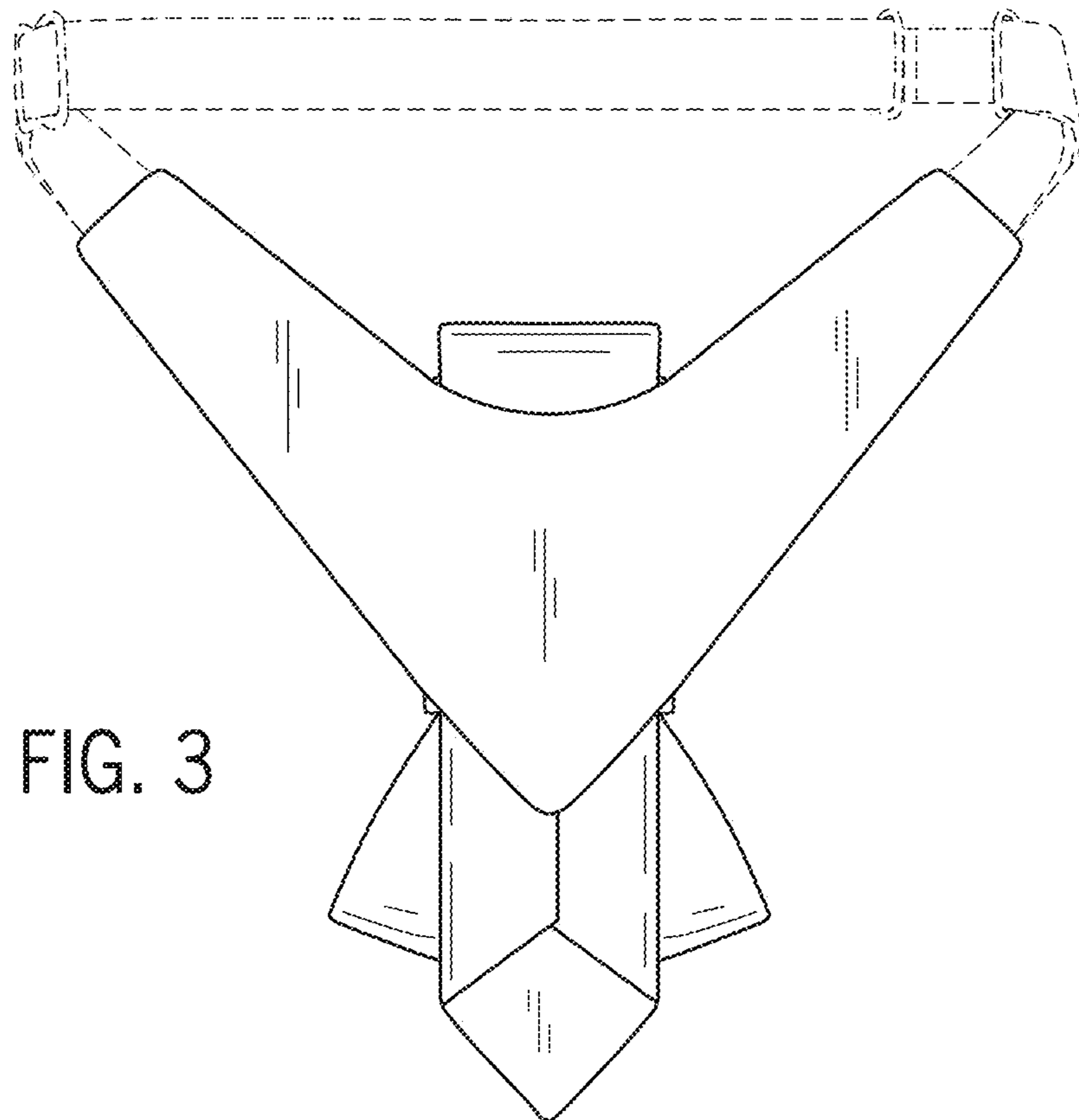
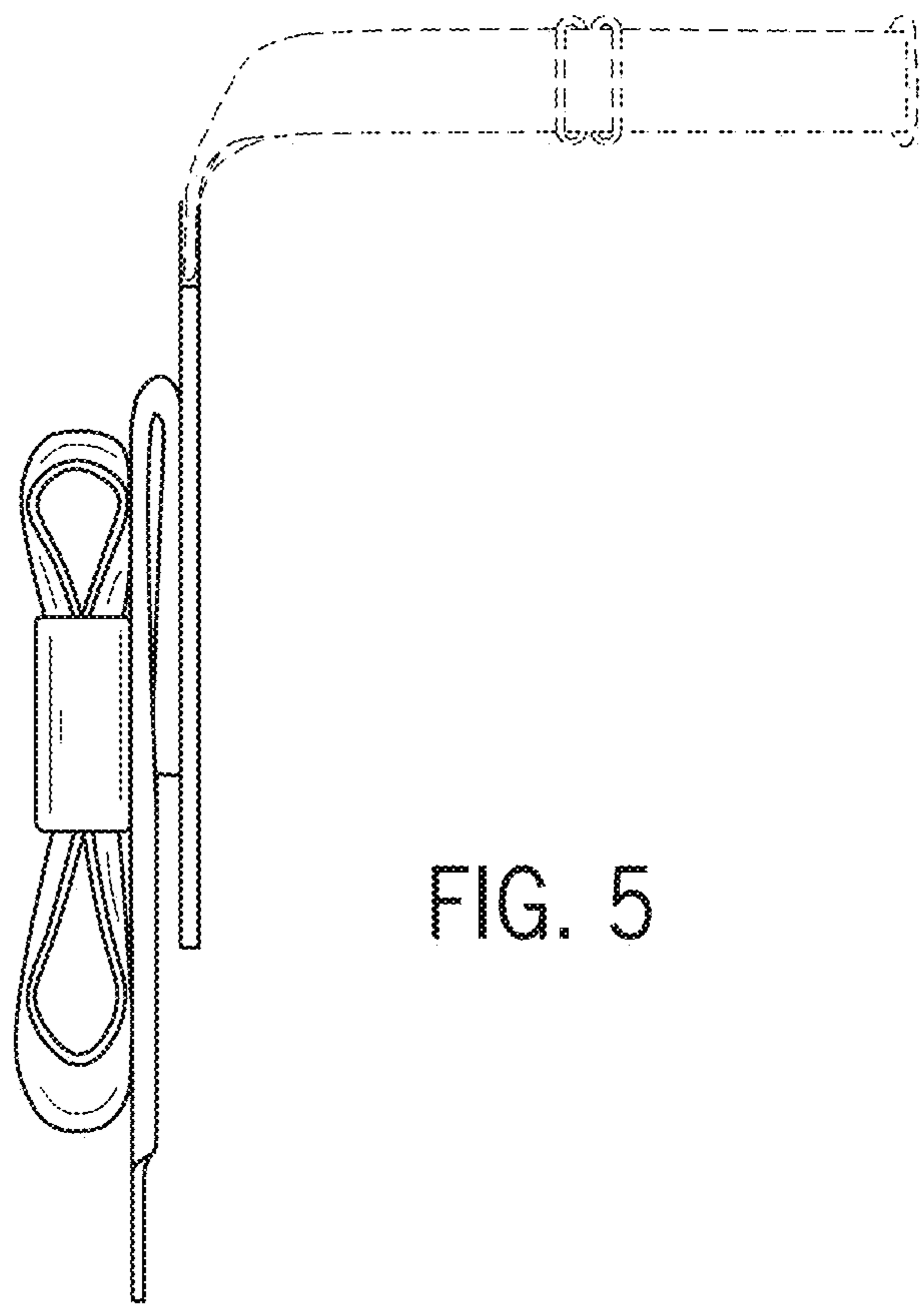
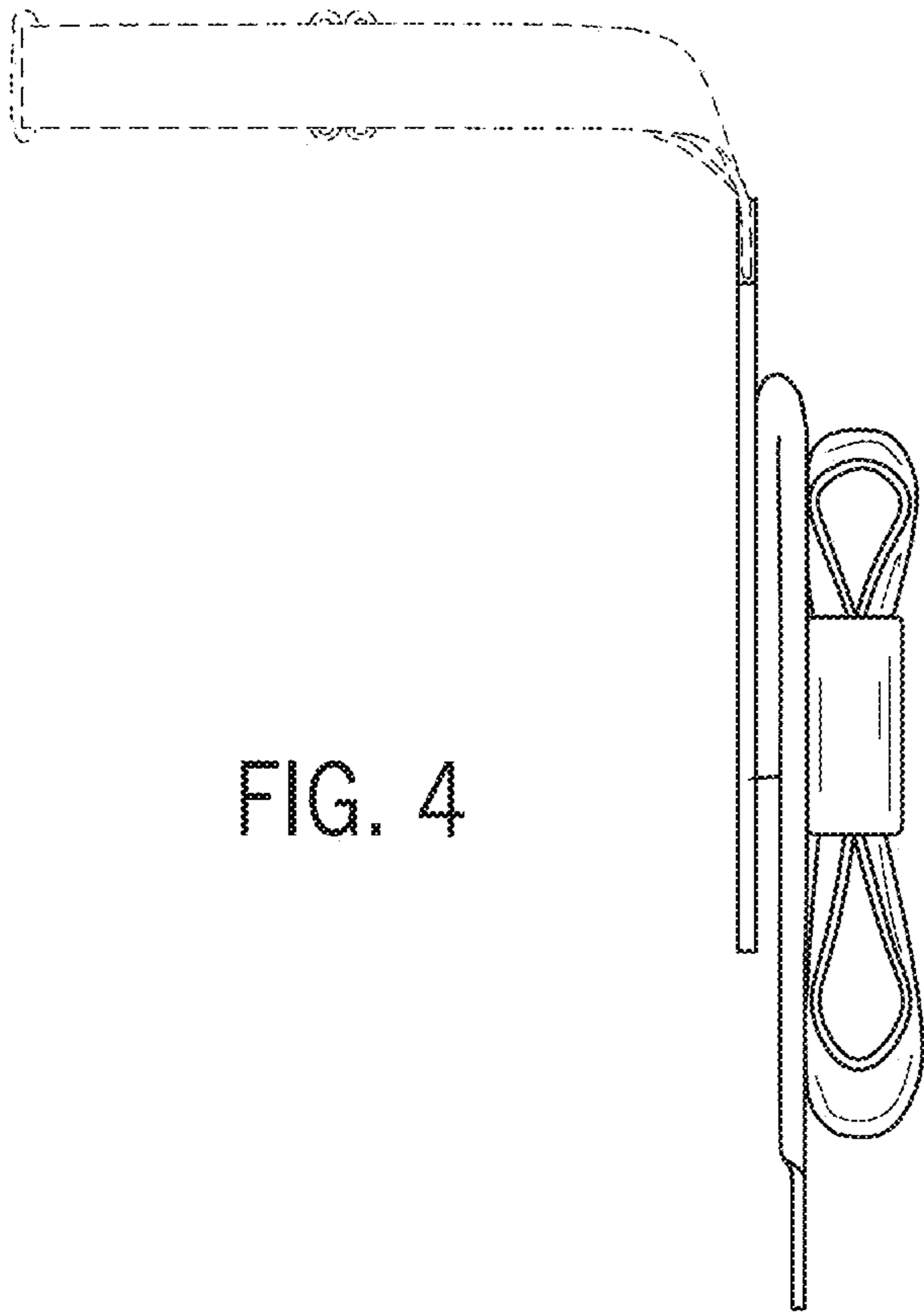


FIG. 3



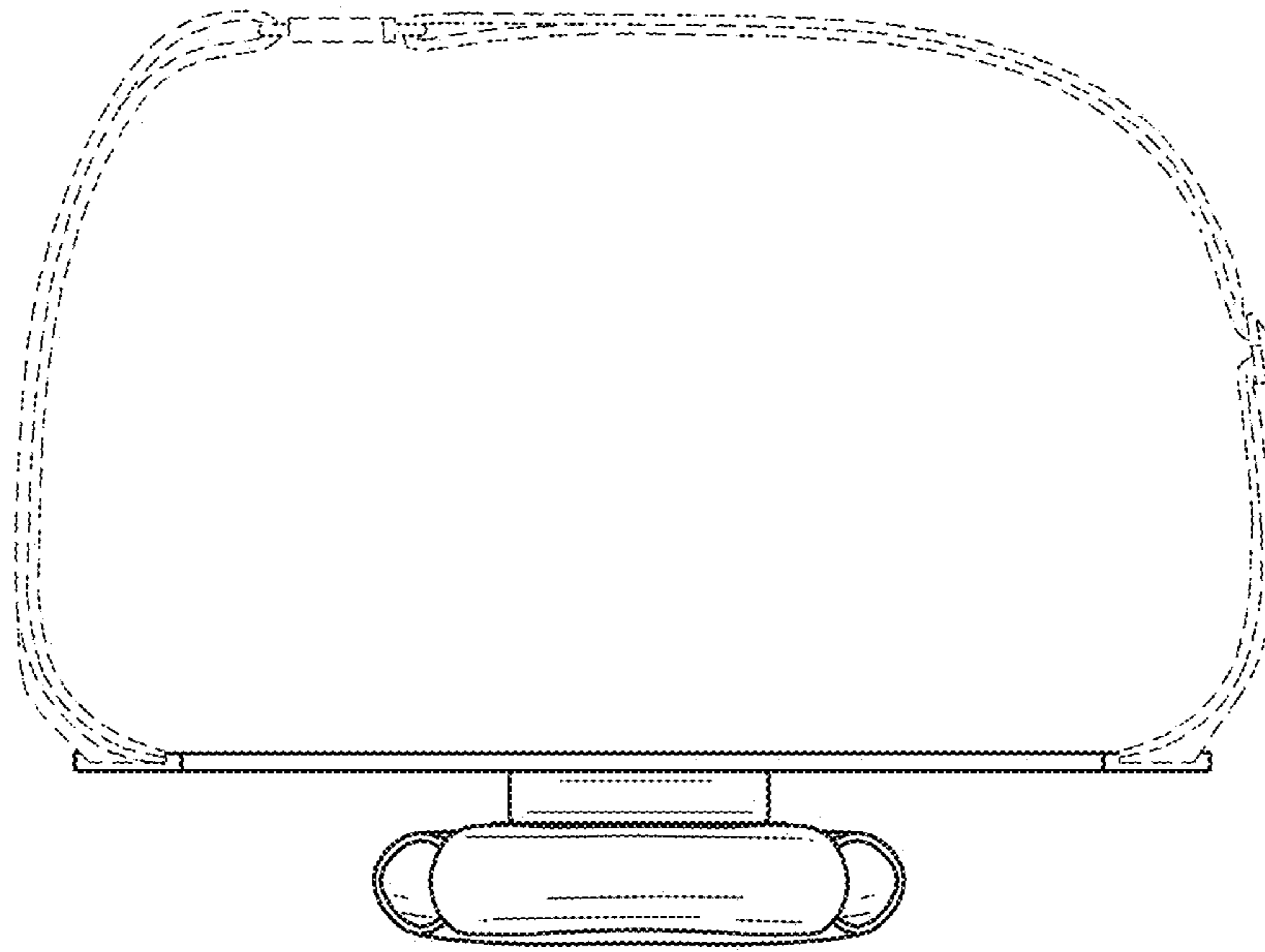


FIG. 6

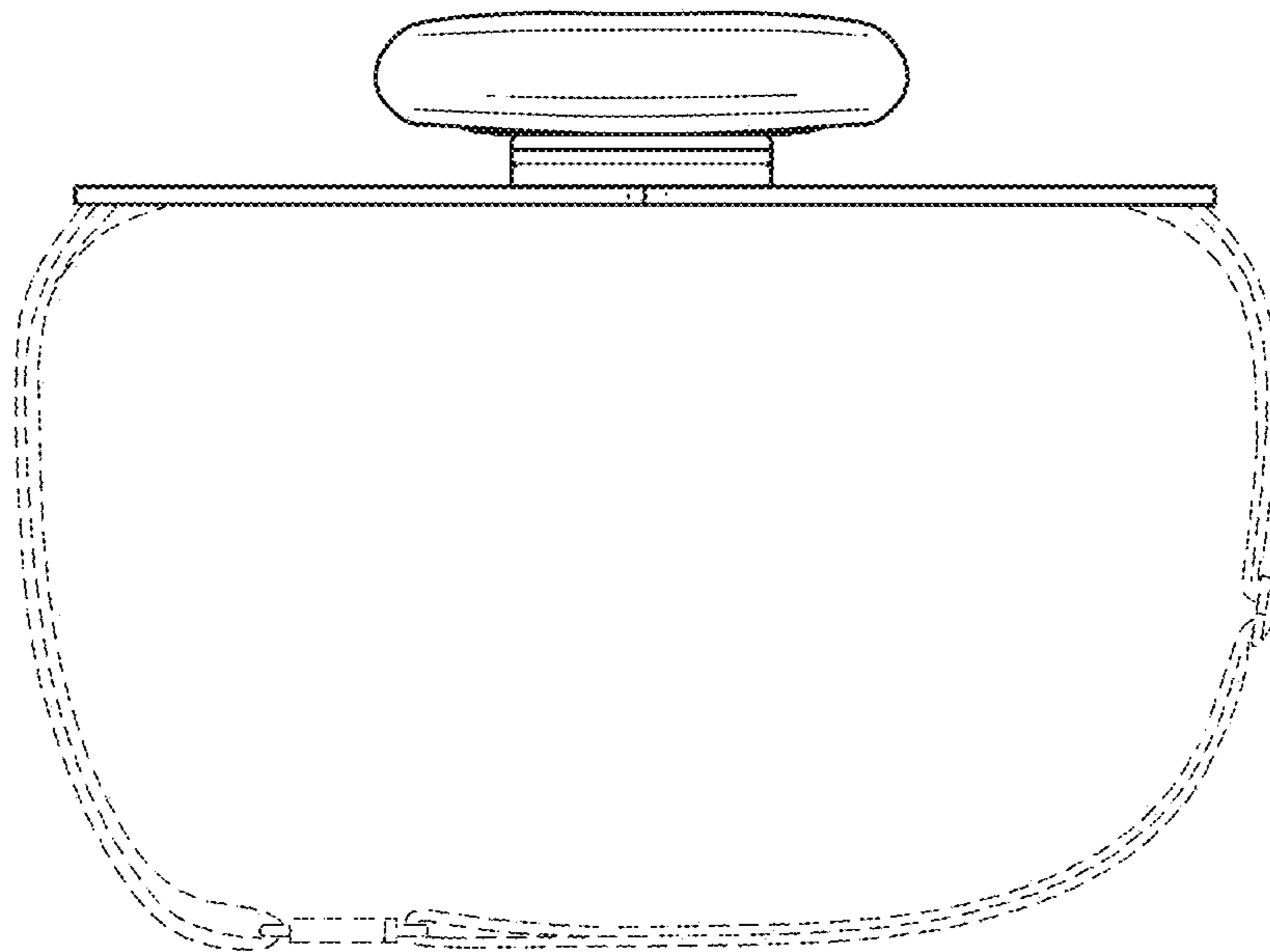


FIG. 7