



US00D943864S

(12) **United States Design Patent**
Thilavanh

(10) **Patent No.:** **US D943,864 S**

(45) **Date of Patent:** **** Feb. 22, 2022**

(54) **FOOD CONE**

(71) Applicant: **Michael Thilavanh**, Happy Valley, OR
(US)

(72) Inventor: **Michael Thilavanh**, Happy Valley, OR
(US)

(73) Assignee: **Michael Thilavanh**, Happy Valley, OR
(US)

(**) Term: **15 Years**

(21) Appl. No.: **29/652,733**

(22) Filed: **Nov. 4, 2020**

(51) **LOC (13) Cl.** **01-01**

(52) **U.S. Cl.**
USPC **D1/117**

(58) **Field of Classification Search**
USPC D1/100–130, 199; 426/94, 104, 138,
426/143, 144, 274, 283, 303, 391, 512,
426/514, 518, 549; D6/597, 601;
D7/675, 560, 566, 568, 601, 700;
D24/122; D28/8.1, 8.2; D21/385, 386,
D21/707; D11/164; 47/72
CPC A23L 1/0067; A23L 1/005; A23L 1/0052;
A23L 1/217; A23G 9/48; A23G 3/54;
A23V 2002/00

See application file for complete search history.

(56) **References Cited**

U.S. PATENT DOCUMENTS

D37,759 S * 12/1905 Yakushiji D1/117
D45,748 S * 5/1914 Flagstad D1/118

D56,488 S * 10/1920 Winder D1/118
D86,143 S * 2/1932 Shivek D1/118
D95,899 S * 6/1935 Dicker D1/117
D187,906 S * 5/1960 Guido D1/117
D217,108 S * 4/1970 Smith D1/117
D313,302 S * 1/1991 Reed 426/139
D358,018 S * 5/1995 Lindemann D1/101
D481,521 S * 11/2003 Carbone D1/118
D482,181 S * 11/2003 Carbone D1/118
D504,991 S * 5/2005 Carbone D1/118
D536,856 S * 2/2007 Davi
D798,526 S * 10/2017 Vielot D1/106

* cited by examiner

Primary Examiner — Katie Jane Stofko

(74) *Attorney, Agent, or Firm* — Dunlap Bennett &
Ludwig PLLC

(57) **CLAIM**

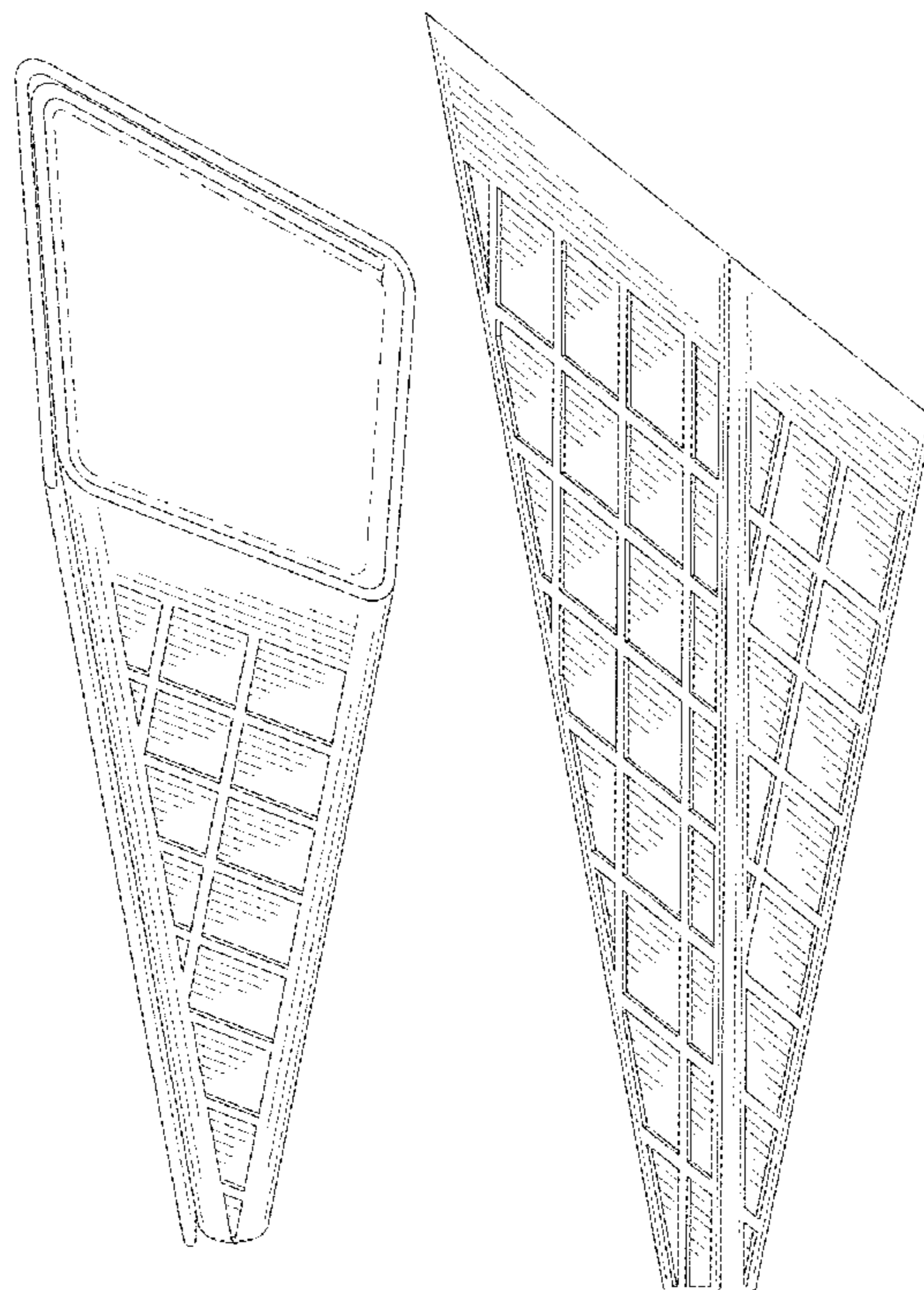
The ornamental design for a food cone, as shown and described.

DESCRIPTION

FIG. 1 is a front, top, right perspective view of a food cone, showing my new design;
FIG. 2 is a right side elevation view thereof;
FIG. 3 is a left side elevation view thereof;
FIG. 4 is a front elevation view thereof;
FIG. 5 is a rear elevation view thereof;
FIG. 6 is a top plan view thereof; and,
FIG. 7 is a bottom plan view thereof.

The unevenly-sized broken lines define the bounds of the claimed design and form no part of the claimed design.

1 Claim, 4 Drawing Sheets



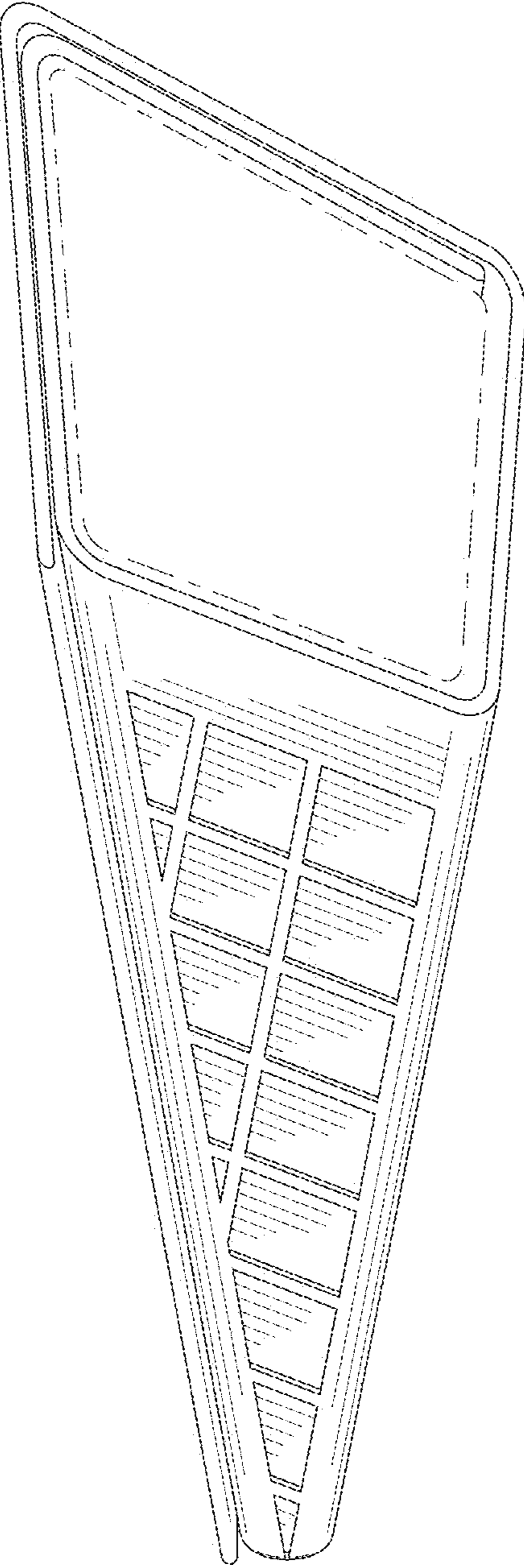


FIG. 1

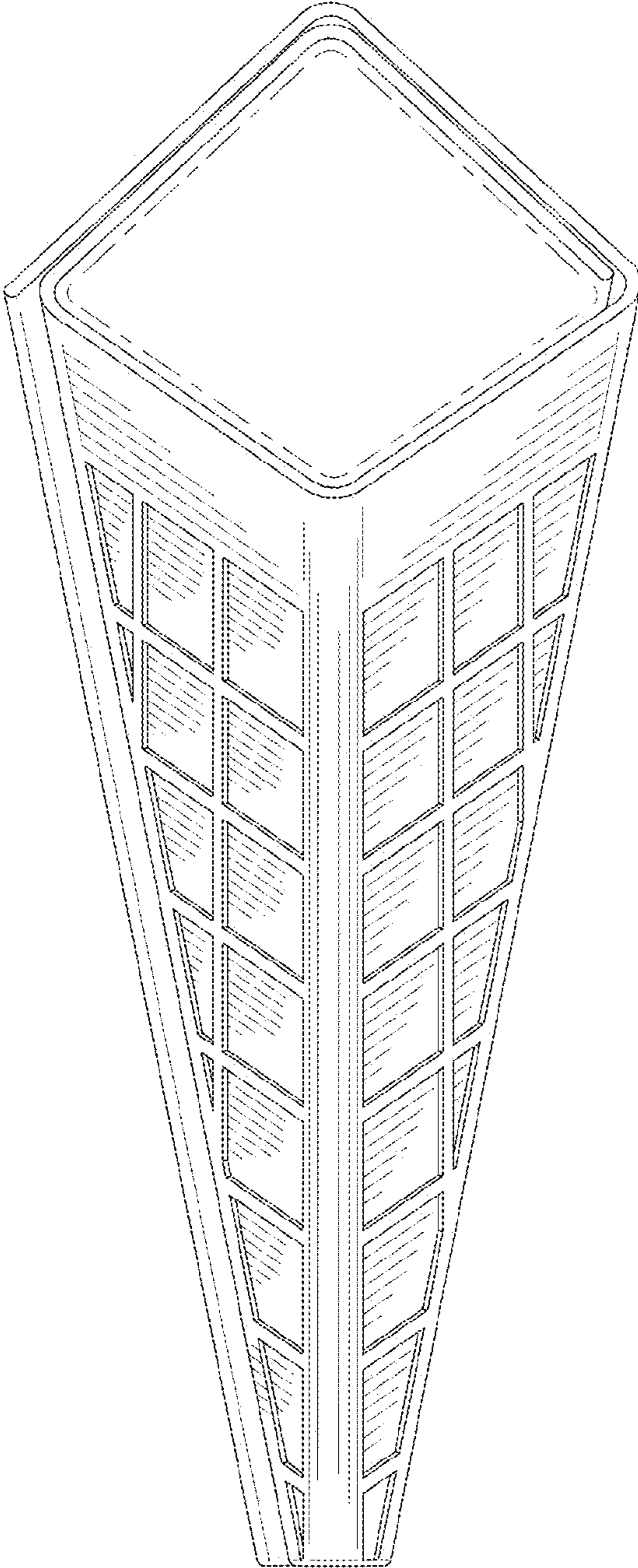


FIG. 2

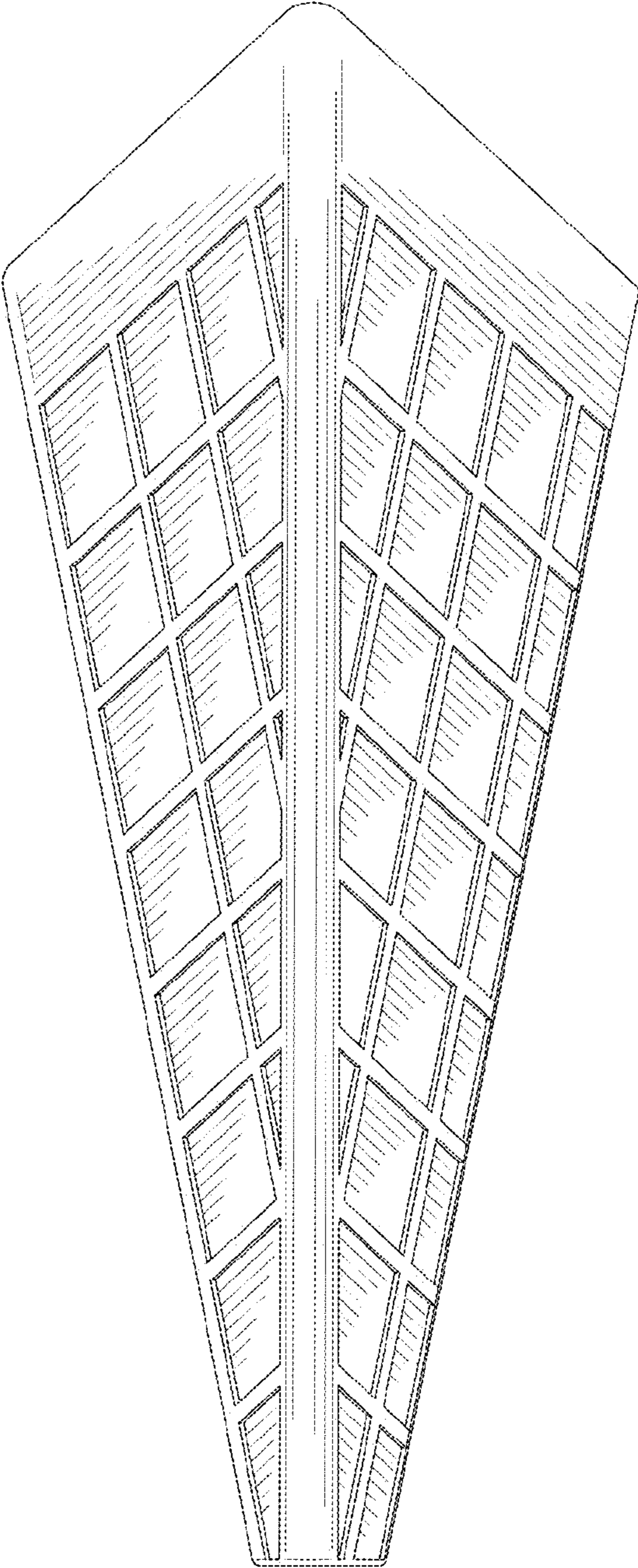


FIG. 3

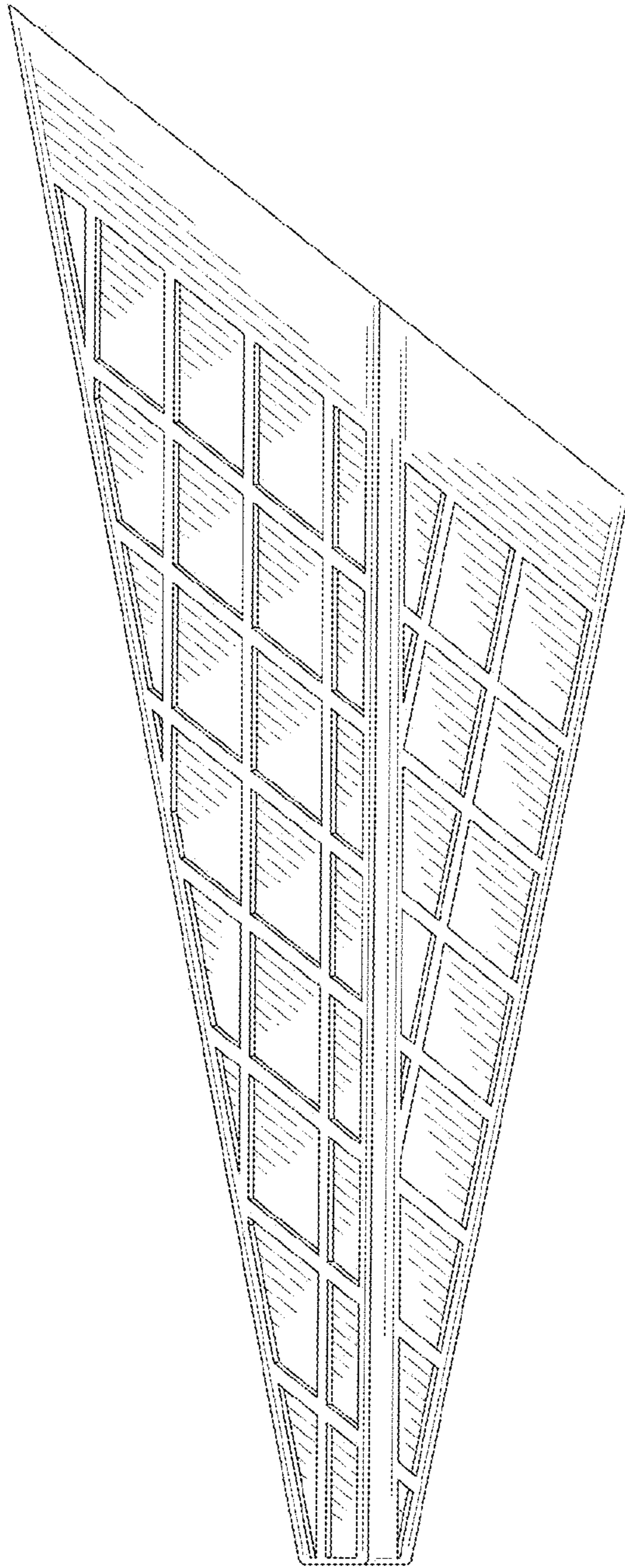


FIG. 4

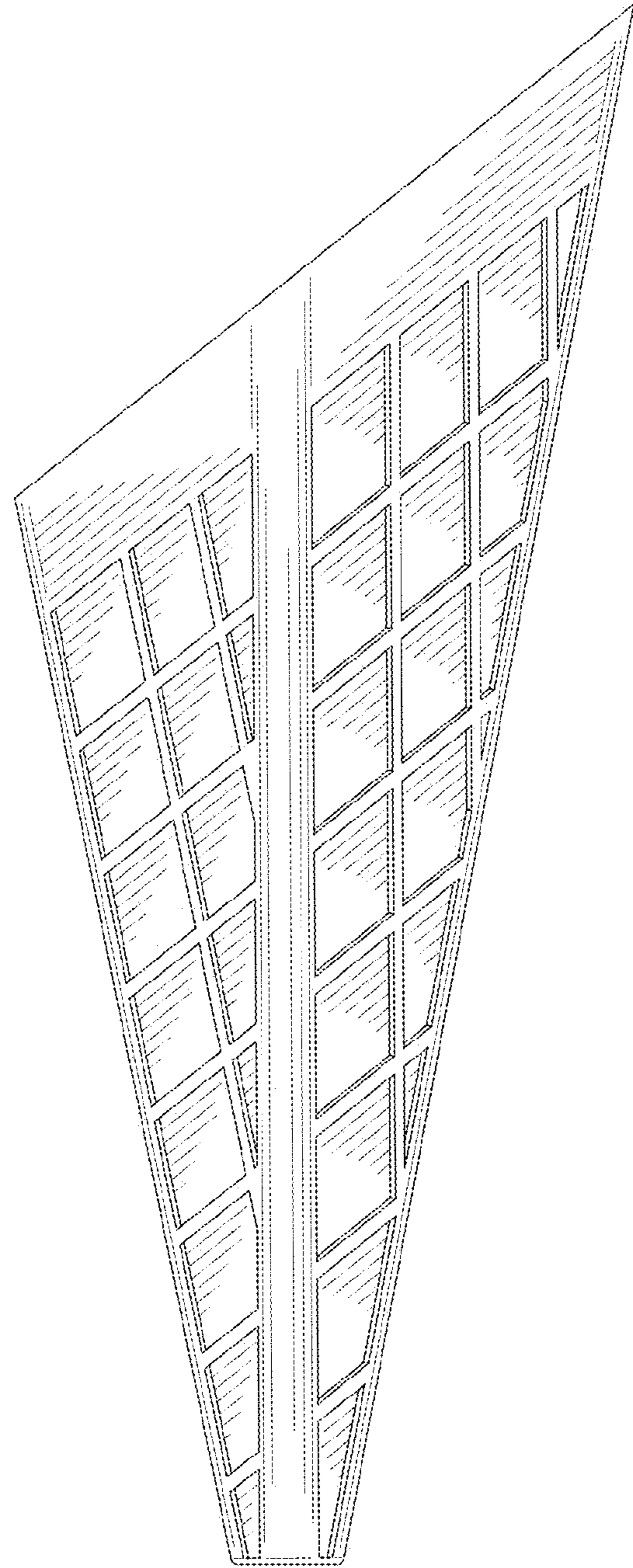


FIG. 5

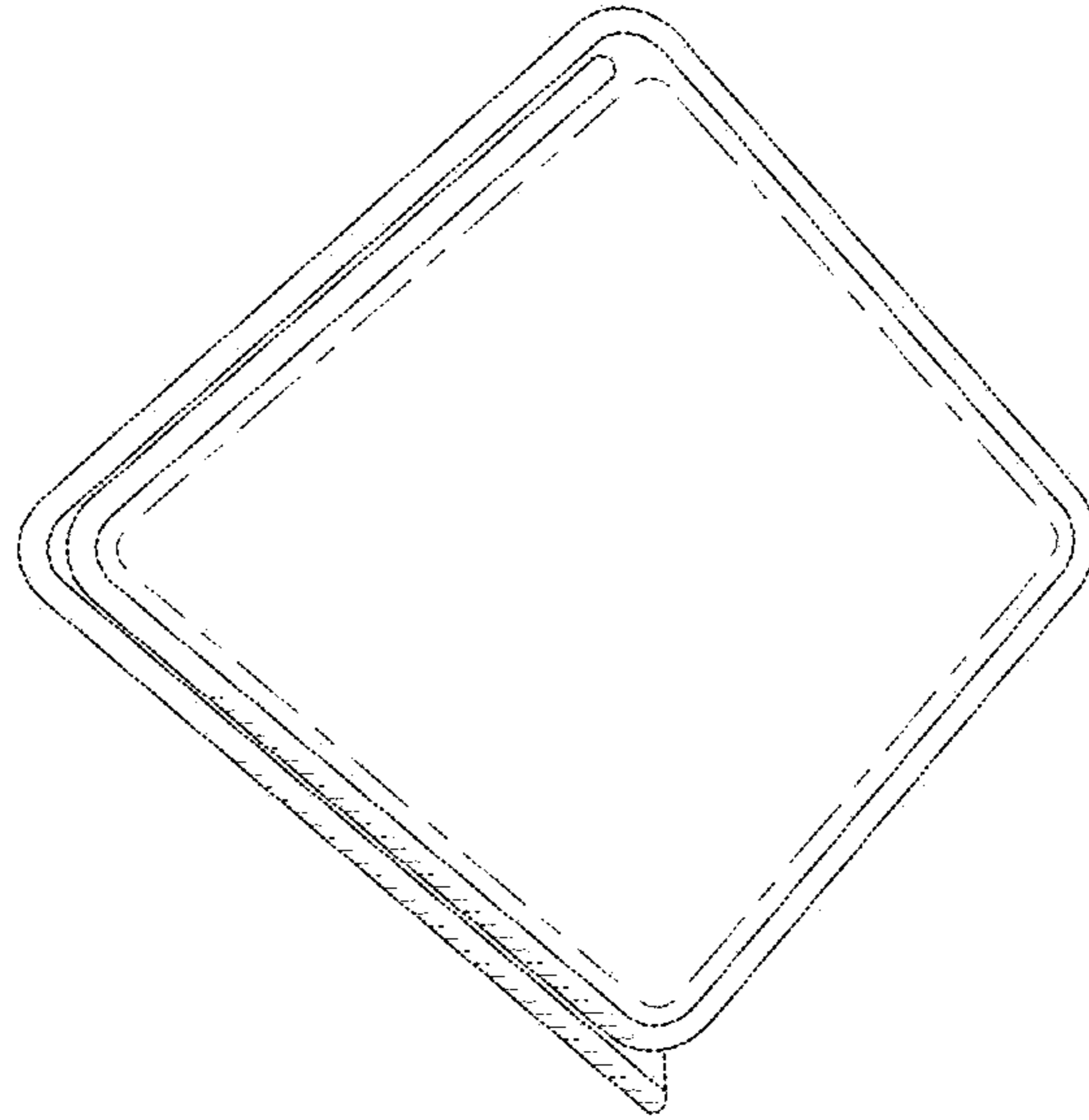


FIG. 6

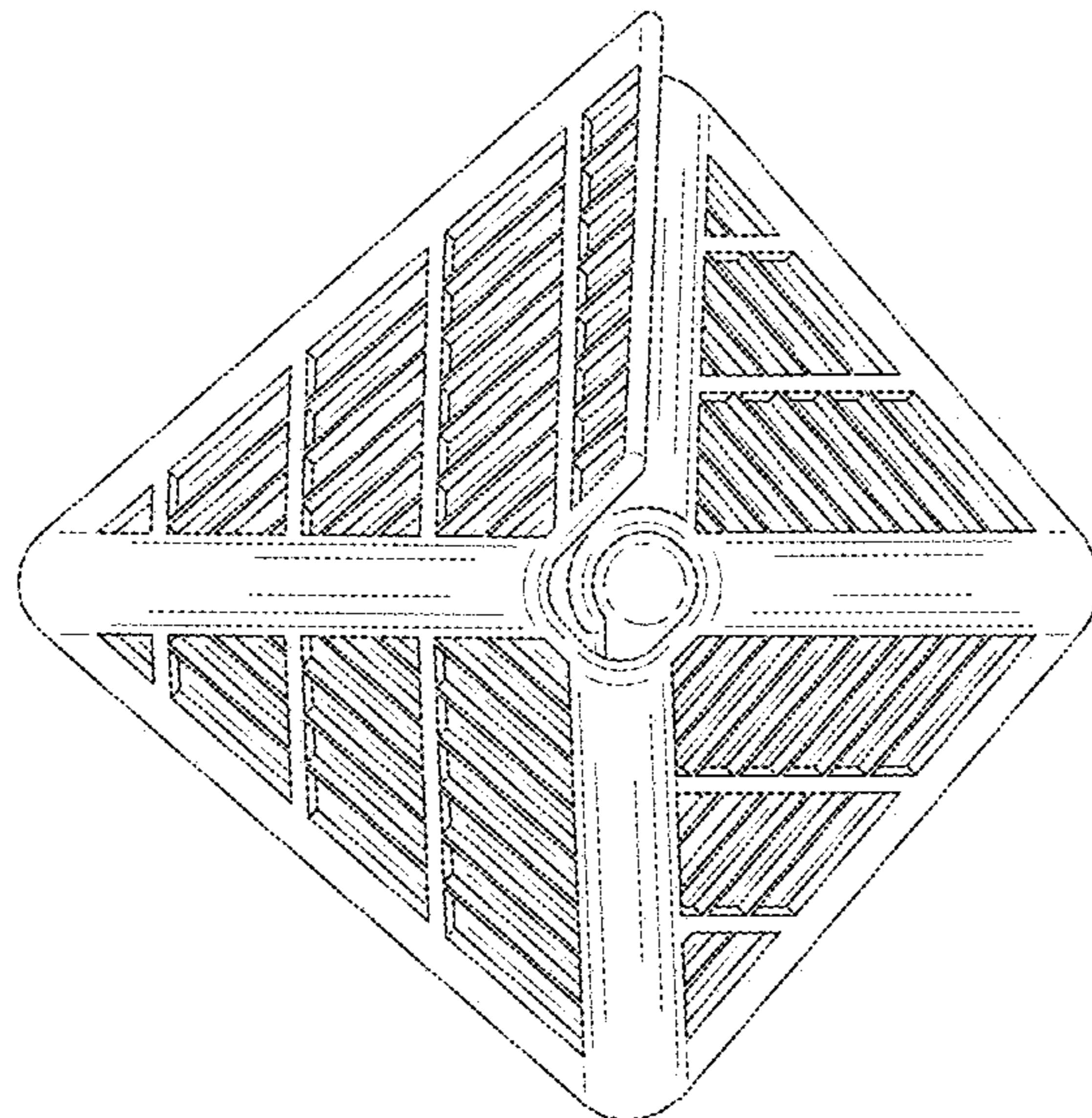


FIG. 7