



US00D943863S

(12) **United States Design Patent**
van Eyk et al.

(10) **Patent No.:** **US D943,863 S**

(45) **Date of Patent:** **** Feb. 22, 2022**

(54) **RIB PET TREAT**

(71) Applicant: **Spectrum Brands, Inc.**, Middleton, WI (US)

(72) Inventors: **Gregory van Eyk**, Christiansburg, VA (US); **Casey Sims**, London (GB); **Todd Palmer**, O Fallon, MO (US)

(73) Assignee: **Spectrum Brands, Inc.**, Middleton, WI (US)

(**) Term: **15 Years**

(21) Appl. No.: **29/782,590**

(22) Filed: **May 7, 2021**

Related U.S. Application Data

(62) Division of application No. 29/749,380, filed on Sep. 4, 2020, now Pat. No. Des. 922,026, which is a division of application No. 29/703,991, filed on Aug. 30, 2019, now Pat. No. Des. 898,326, which is a division of application No. 29/672,111, filed on Dec. 3, 2018, now Pat. No. Des. 858,931.

(51) **LOC (13) Cl.** **01-01**

(52) **U.S. Cl.**
USPC **D1/106**

(58) **Field of Classification Search**

USPC D1/100-130, 199; 426/5, 76, 87, 92, 94, 426/95, 101, 103, 104, 108, 134, 426/138-139, 143, 144, 279, 282, 283, 426/391, 514, 549, 559, 560, 660, 808; D30/60; D11/1, 86; D21/386, 658
CPC B26D 3/11; A47J 37/043; A47J 37/049; A47J 43/18; A22C 17/006; A22C 13/0013; A23L 1/164; A23L 1/005; A23B 4/10; B65D 81/343

See application file for complete search history.

(56) **References Cited**

U.S. PATENT DOCUMENTS

D25,934 S 8/1896 Kolb
754,329 A 3/1904 Miliken

1,319,899 A 10/1919 Rafert
D68,213 S * 9/1925 Manahan D1/101
1,816,283 A * 7/1931 Holibaugh A21D 13/32
426/138

D98,858 S 3/1936 Gager
(Continued)

FOREIGN PATENT DOCUMENTS

EP 170770 2/1986
WO WO 2007/063338 6/2007

OTHER PUBLICATIONS

EETOYS Nylon Chew Toy Durable Dog Chew Bone for Aggressive Chewers, Pet Supplies. (Oct. 10, 2016), Web May 21, 2019.<<https://www.amazon.com/EETOYS-Teething-Chewing-Development-Spareribs/dp/B06XX5FNM7>>.

Primary Examiner — Katie Jane Stofko

(74) *Attorney, Agent, or Firm* — Merchant & Gould P.C.

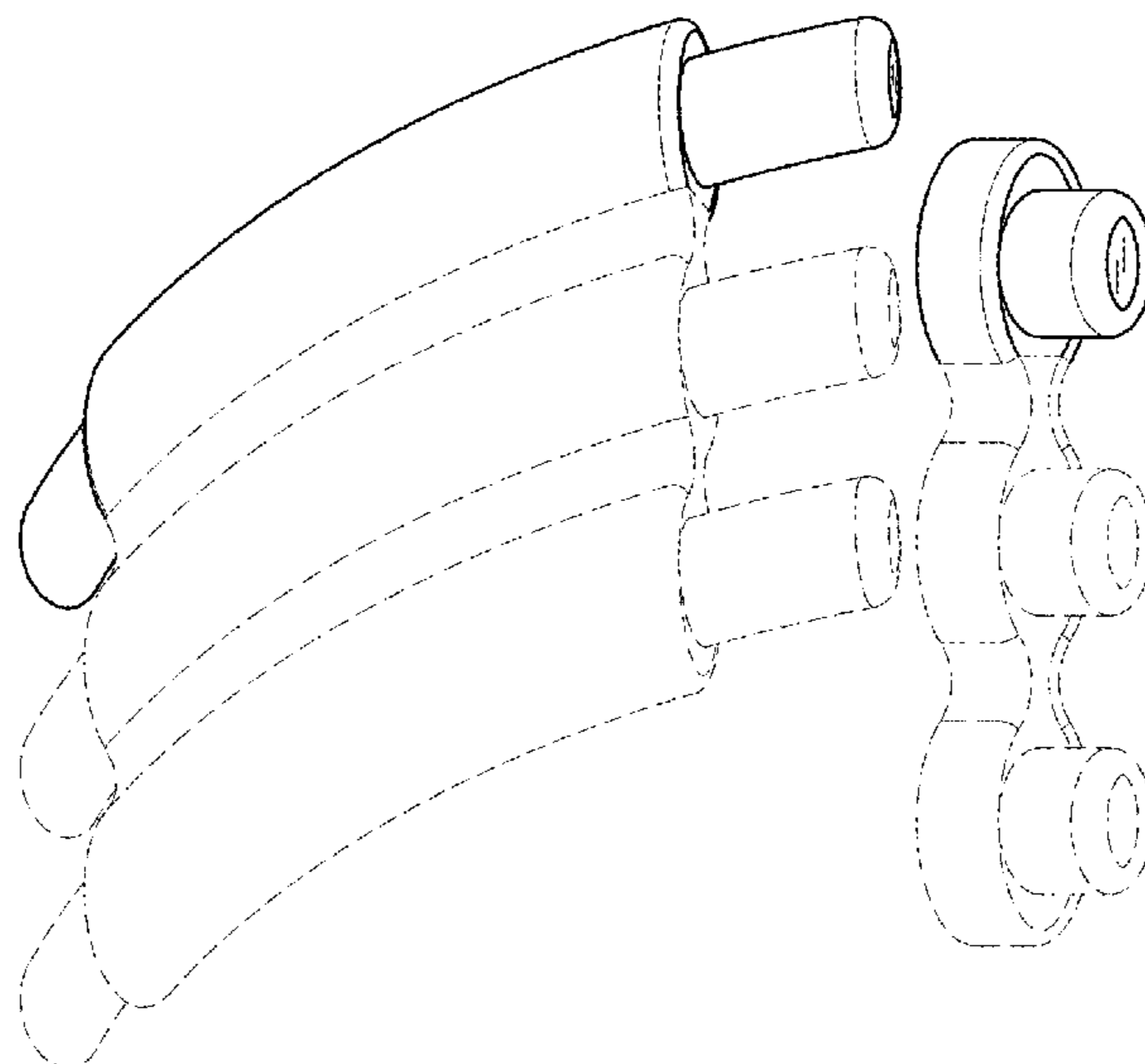
(57) **CLAIM**

The ornamental design for a rib pet treat, as shown and described.

DESCRIPTION

FIG. 1 is a front, top, and right side perspective view of a rib pet treat according to the new design;
FIG. 2 is a front, bottom and right side perspective view thereof;
FIG. 3 is a front elevation view thereof;
FIG. 4 is a back elevation view thereof;
FIG. 5 is a left side elevation view thereof;
FIG. 6 is a right side elevation view thereof;
FIG. 7 is a top plan view thereof; and,
FIG. 8 is a bottom plan view thereof.
The broken lines shown in FIGS. 1-6 and 8 illustrate portions of the rib pet treat that form no part of the claimed design.

1 Claim, 6 Drawing Sheets



(56)

References Cited

U.S. PATENT DOCUMENTS

2,134,026 A	10/1938	Brooks	
2,246,770 A	3/1939	Wessel	
D131,278 S	2/1942	Voorhis	
D225,919 S *	1/1973	Corn	D1/101
D226,595 S	4/1973	Caunes	
D231,417 S	4/1974	Maiola	
D254,176 S *	2/1980	Corcoran	D11/81
D261,820 S	11/1981	Yamanaka	
D266,030 S	9/1982	Madonia	
D270,299 S	8/1983	Arend	
D277,045 S	1/1985	Arend	
D283,460 S	4/1986	Thomassen et al.	
D309,520 S	7/1990	Thomassen et al.	
4,963,379 A	10/1990	Ferrero	
D346,048 S *	4/1994	Jandebeur	D1/199
5,832,877 A	11/1998	Markham	
D404,887 S	2/1999	Prins	
5,895,662 A *	4/1999	Meyer	A23K 50/40 424/439
D415,646 S	10/1999	Futagami	
D429,866 S	8/2000	Zhang et al.	
D431,891 S	10/2000	Zhang et al.	
D439,391 S	3/2001	Sheen et al.	
D439,392 S	3/2001	Kauffman et al.	
6,203,828 B1	3/2001	Thota et al.	
D442,763 S *	5/2001	Ryder	D1/102
6,280,311 B1	8/2001	Kuck	
6,383,535 B1	5/2002	Sheen et al.	
D469,238 S	1/2003	Bedi et al.	
D485,046 S *	1/2004	Hague	426/104
D498,896 S	11/2004	Stoddart et al.	
D503,506 S	4/2005	Tepper et al.	
D527,164 S	8/2006	Speck et al.	
D534,331 S	1/2007	Axelrod	
D561,426 S	2/2008	Eitler et al.	
D575,477 S	8/2008	Eitler et al.	
D625,896 S	10/2010	Flaksman	
D627,127 S	11/2010	Wilson et al.	
D634,508 S	3/2011	Wilson et al.	
D639,526 S	6/2011	Allen	
D639,967 S	6/2011	Bredemeier et al.	
D692,627 S	10/2013	Yerton et al.	
D695,486 S *	12/2013	Flaksman	D1/101
D706,016 S *	6/2014	Cheung	D1/102
D706,943 S	6/2014	Bredemeier et al.	
D749,875 S	2/2016	Sullivan	
D750,341 S	3/2016	Baker et al.	
D759,941 S	6/2016	Baker et al.	
D762,294 S	7/2016	Hanna	
D765,828 S	9/2016	Kane	
D809,240 S	2/2018	Astheimer et al.	
D810,394 S	2/2018	Falcone	
D822,943 S	7/2018	Falcone	
D831,925 S	10/2018	Astheimer	
D833,707 S	11/2018	Colquhoun	
D858,931 S	9/2019	van Eyk et al.	
D898,326 S	10/2020	van Eyk	
D915,006 S *	3/2021	Wolfe, Jr.	D30/160
D922,026 S *	6/2021	van Eyk	D1/106
2008/0124431 A1 *	5/2008	Ein-Gal	A23L 13/62 426/113
2015/0320072 A1	11/2015	Button	

* cited by examiner

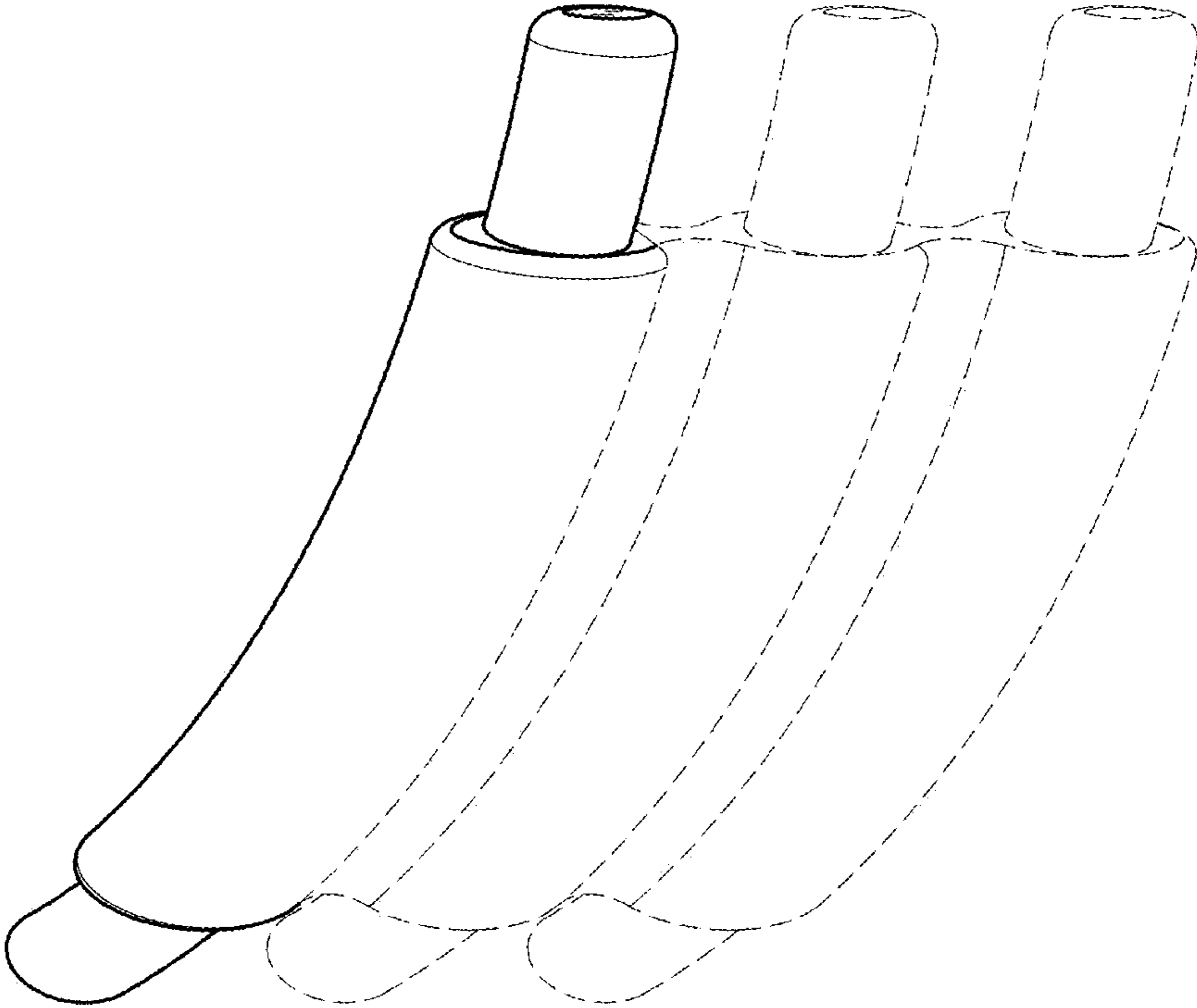


FIG. 1

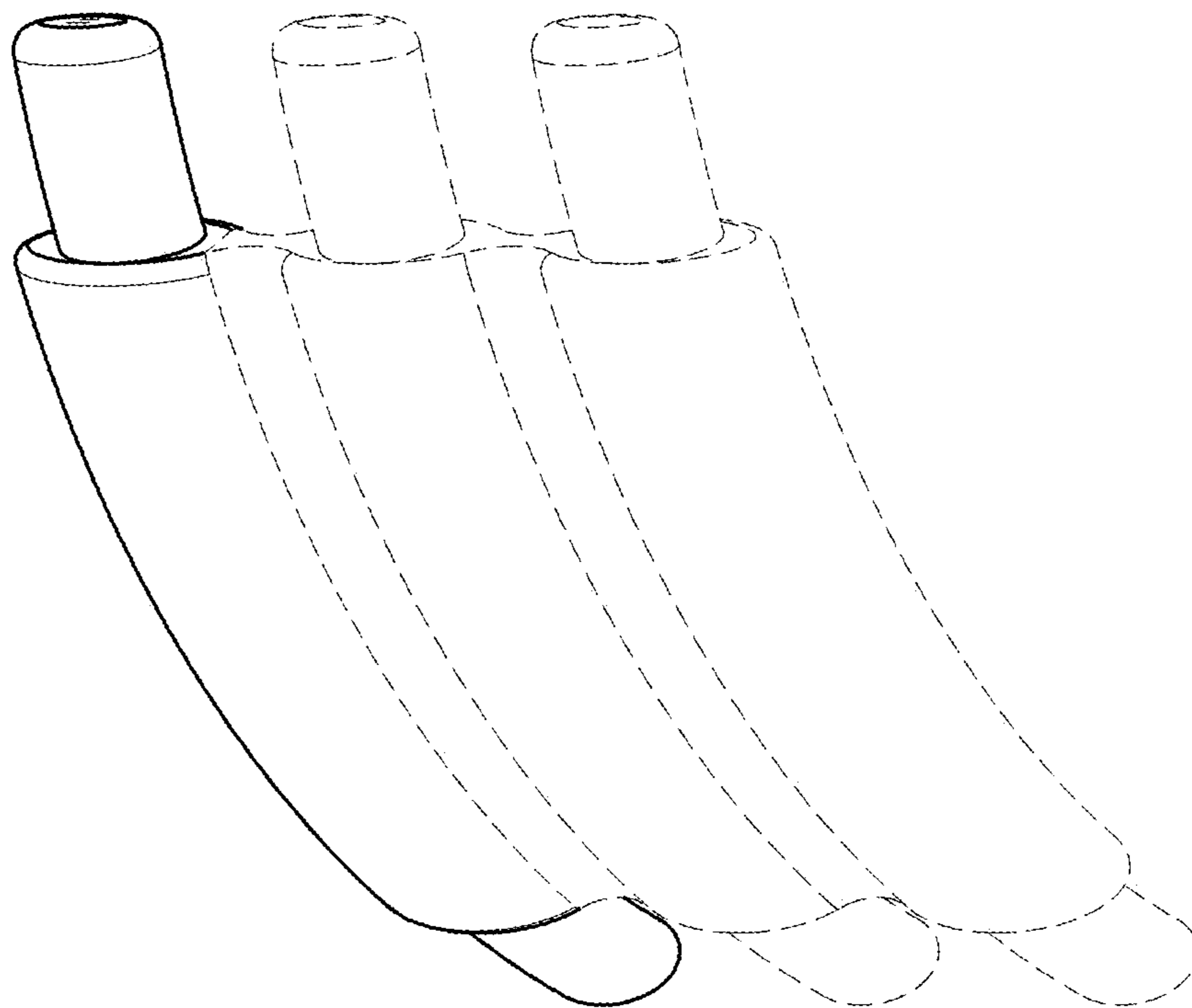


FIG. 2

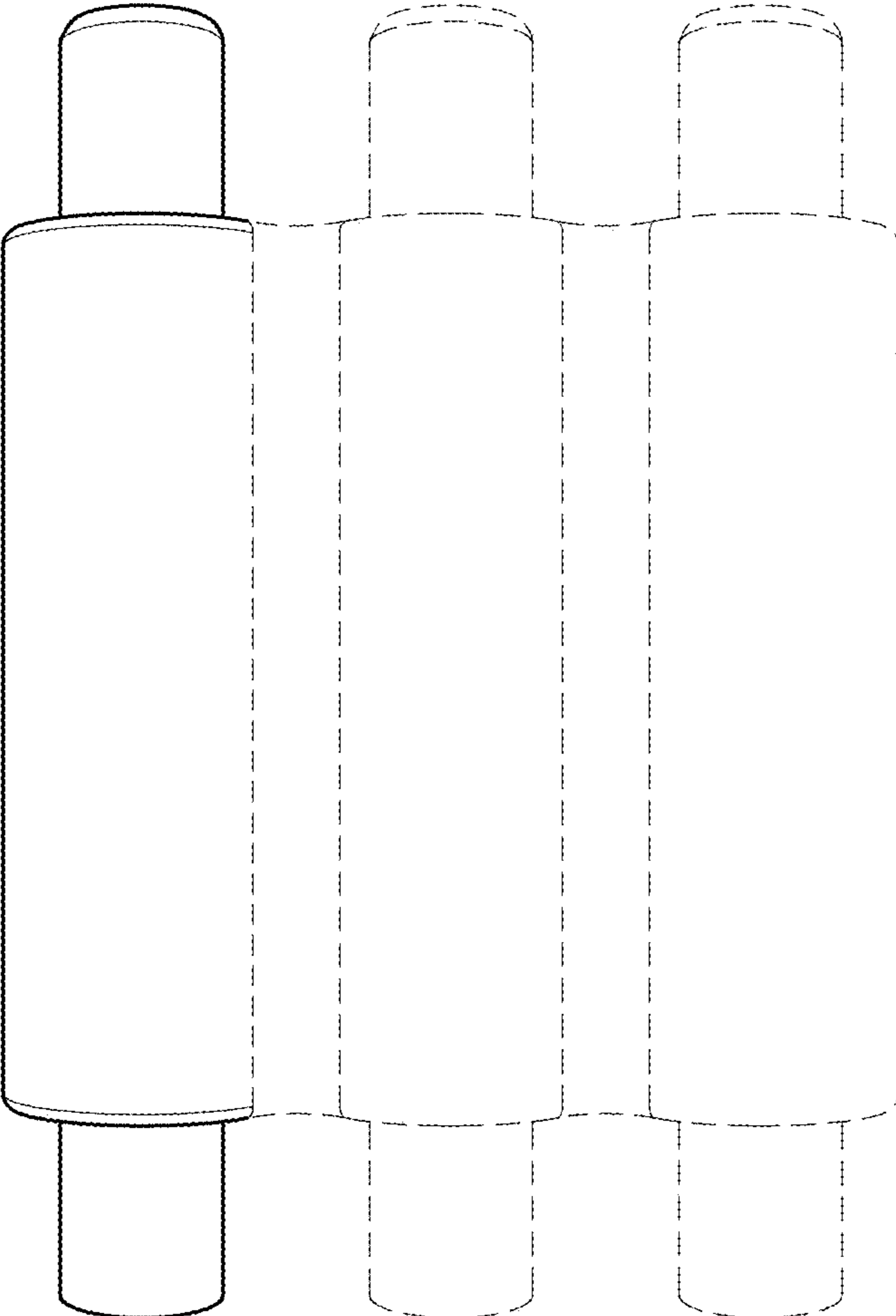


FIG. 3

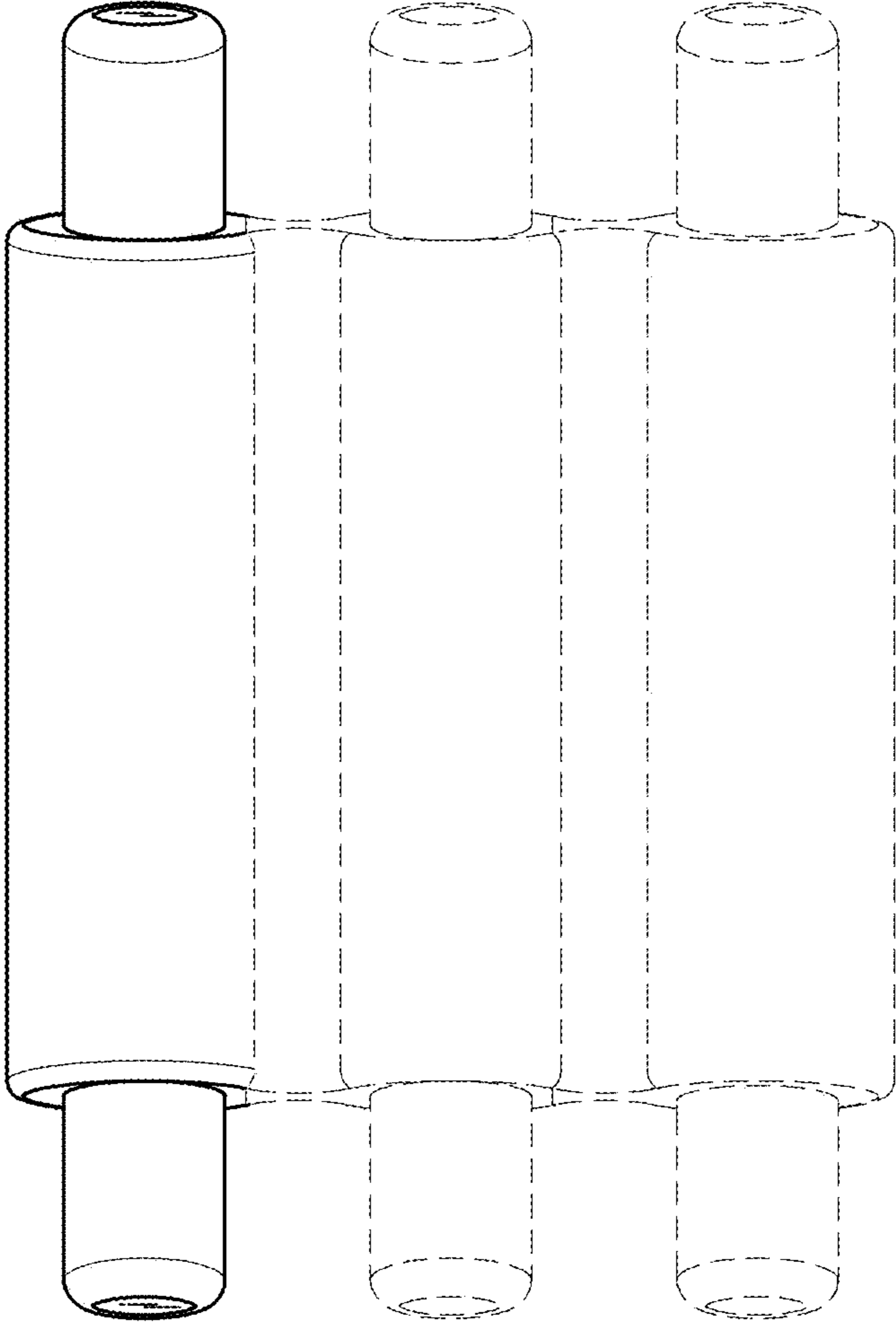


FIG. 4

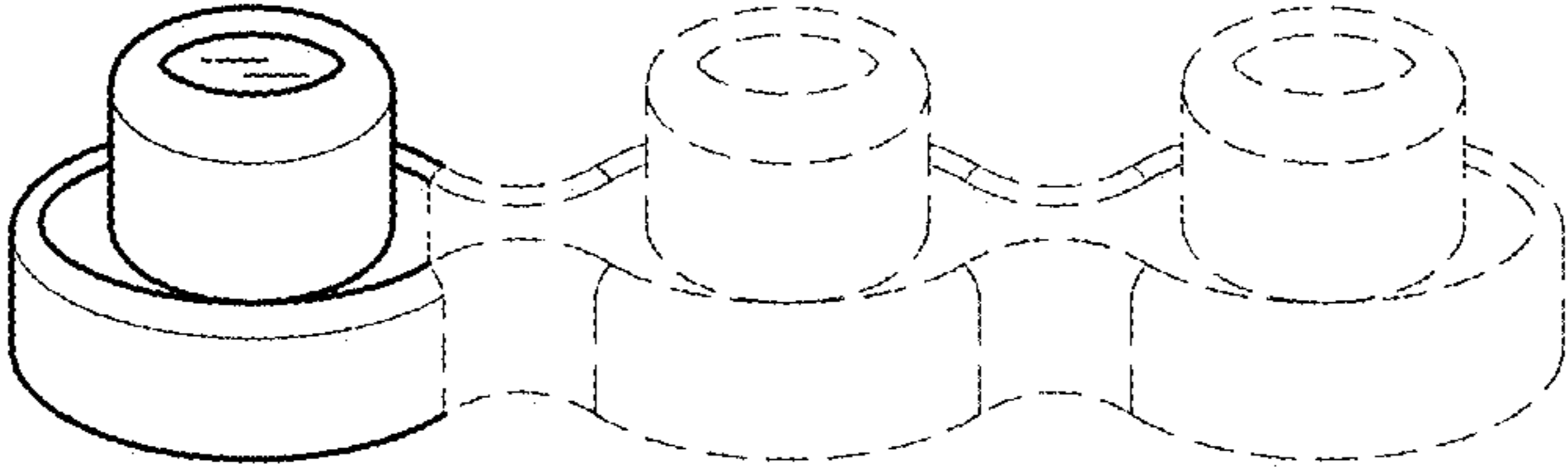


FIG. 6

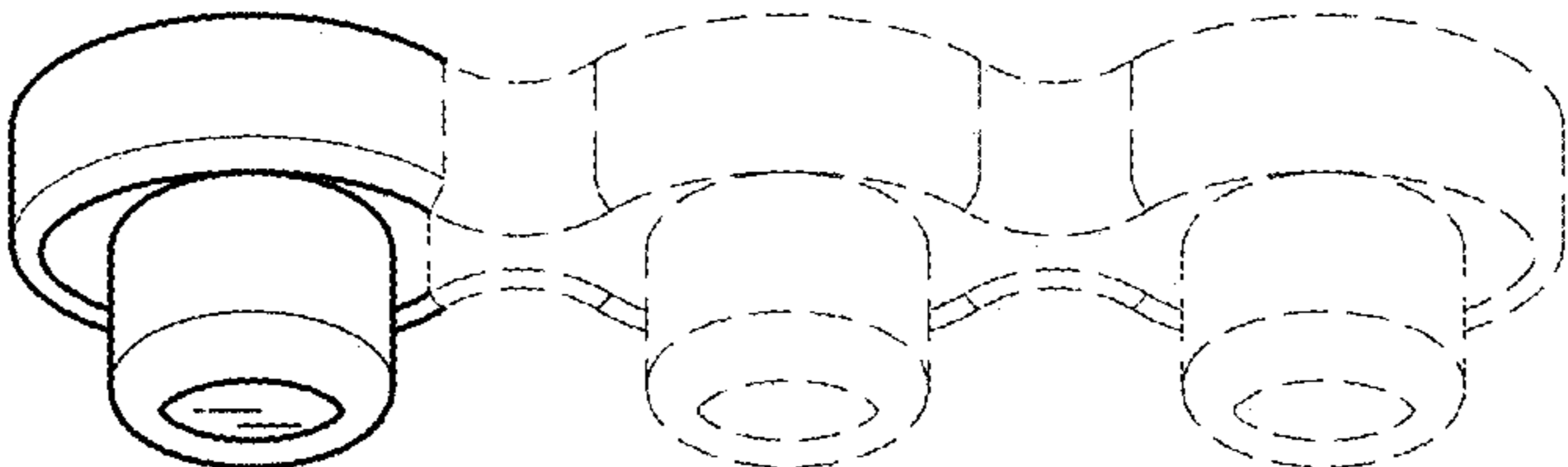


FIG. 5

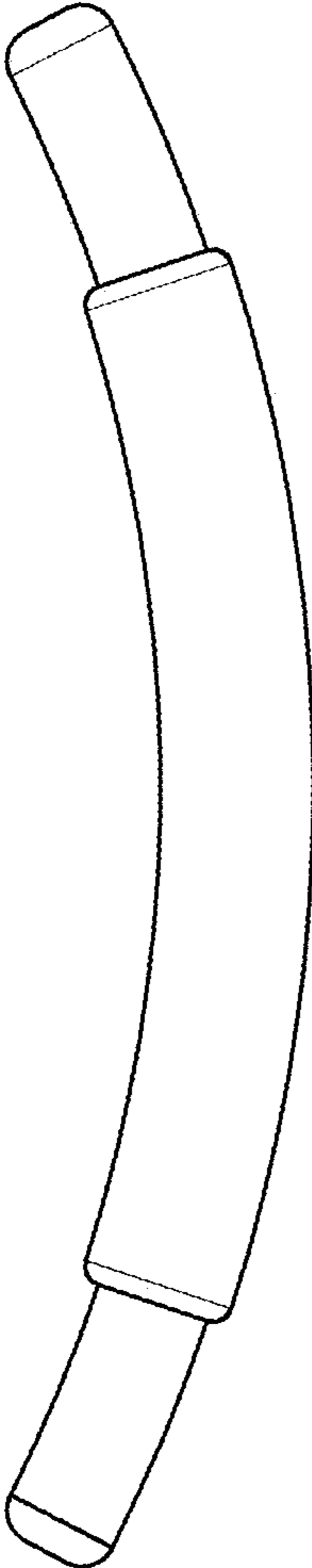


FIG. 7

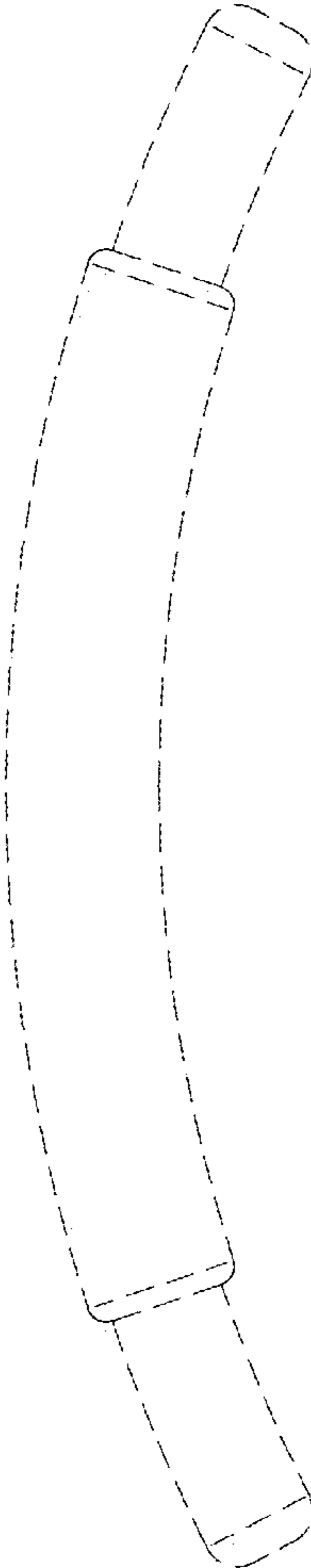


FIG. 8